



US00D608374S

(12) **United States Design Patent**
De Rycke et al.

(10) **Patent No.:** **US D608,374 S**
(45) **Date of Patent:** **** Jan. 19, 2010**

(54) **SHIELDING FOR A BALE PRESS**

(75) Inventors: **Stefan De Rycke**, Zulte (BE); **Henk Boutez**, Poperinge (BE); **Frederik Demon**, Brugge (BE); **Eric Jacobsthal**, Elmhurst, IL (US); **Carl Hagele**, Chicago, IL (US)

(73) Assignee: **CNH America LLC**, New Holland, PA (US)

(**) Term: **14 Years**

(21) Appl. No.: **29/331,697**

(22) Filed: **Jan. 30, 2009**

(51) **LOC (9) Cl.** **15-03**

(52) **U.S. Cl.** **D15/33**

(58) **Field of Classification Search** D15/33,
D15/27, 28, 10-13; 298/7, 24, 25, 26, 27
See application file for complete search history.

(56) **References Cited**

U.S. PATENT DOCUMENTS

D182,287 S *	3/1958	Kermes et al.	D15/27
D184,568 S *	3/1959	Kermes et al.	D15/27
D187,607 S *	4/1960	Kermes et al.	D15/26
D188,800 S *	9/1960	Kermes et al.	D15/27
D196,851 S *	11/1963	Kermes et al.	D15/27
D198,042 S *	4/1964	McGirk et al.	D15/27
D199,798 S *	12/1964	Bywater	D15/27
D200,423 S *	2/1965	Kermes	D15/27
D207,855 S *	6/1967	Kermes	D15/27
D284,116 S *	6/1986	Linde	D15/28

D284,382 S *	6/1986	Black et al.	D15/28
7,152,521 B2 *	12/2006	Freihart	100/2
2005/0252388 A1 *	11/2005	Krone et al.	100/88
2006/0230950 A1 *	10/2006	Freihart	100/88
2008/0098692 A1 *	5/2008	Paillet et al.	53/211

* cited by examiner

Primary Examiner—Stella M Reid

Assistant Examiner—Mark A Goodwin

(74) *Attorney, Agent, or Firm*—Patrick M. Sheldrake; John William Stade; Michael G. Harms

(57) **CLAIM**

We claim the ornamental design for shielding for a bale press, as shown and described.

DESCRIPTION

FIG. 1 is a front perspective view of shielding for a bale press showing our new design;

FIG. 2 is a left side view thereof;

FIG. 3 is a right side view thereof;

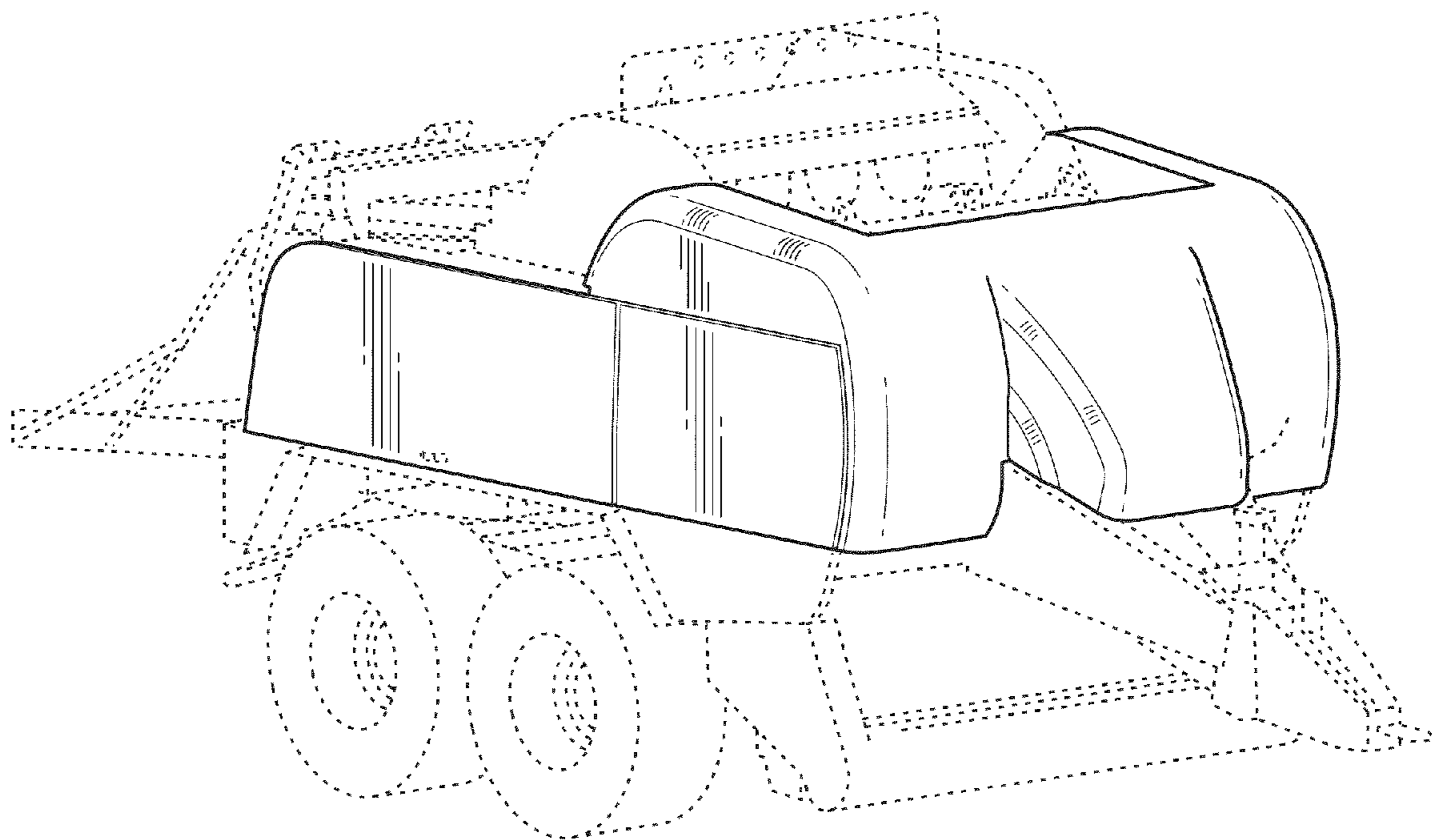
FIG. 4 is a top view thereof;

FIG. 5 is a rear view thereof; and,

FIG. 6 is a rear perspective thereof.

Only the shapes and portions bounded by solid lines form the claimed design. The bottom view is not visible during normal use of the machine and does not form part of the claimed design and therefore is not shown or disclosed. The elements depicted in dashed lines are shown for illustrative purpose of environment and form no part of the ornamental design.

1 Claim, 5 Drawing Sheets



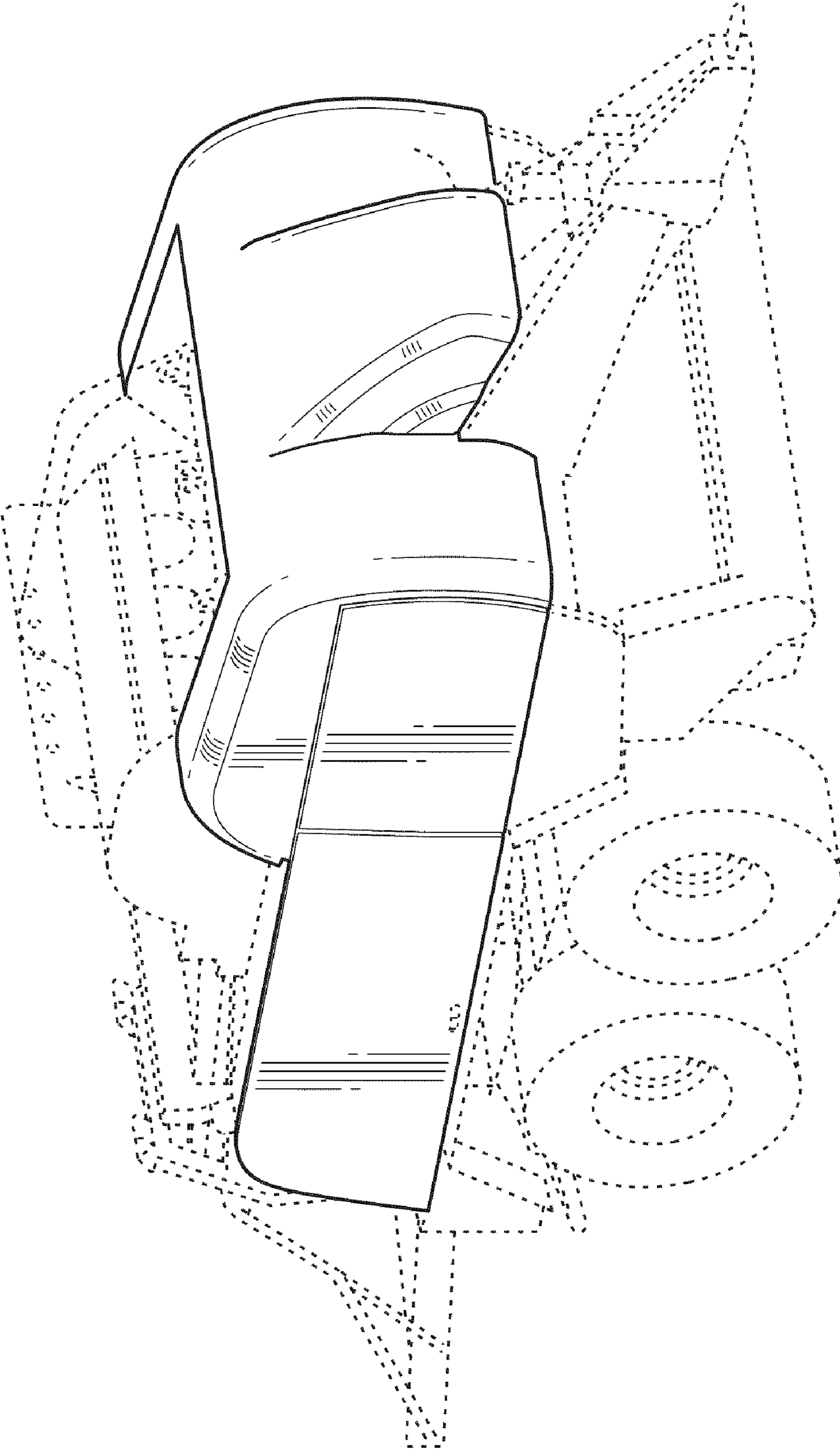


FIG. 1

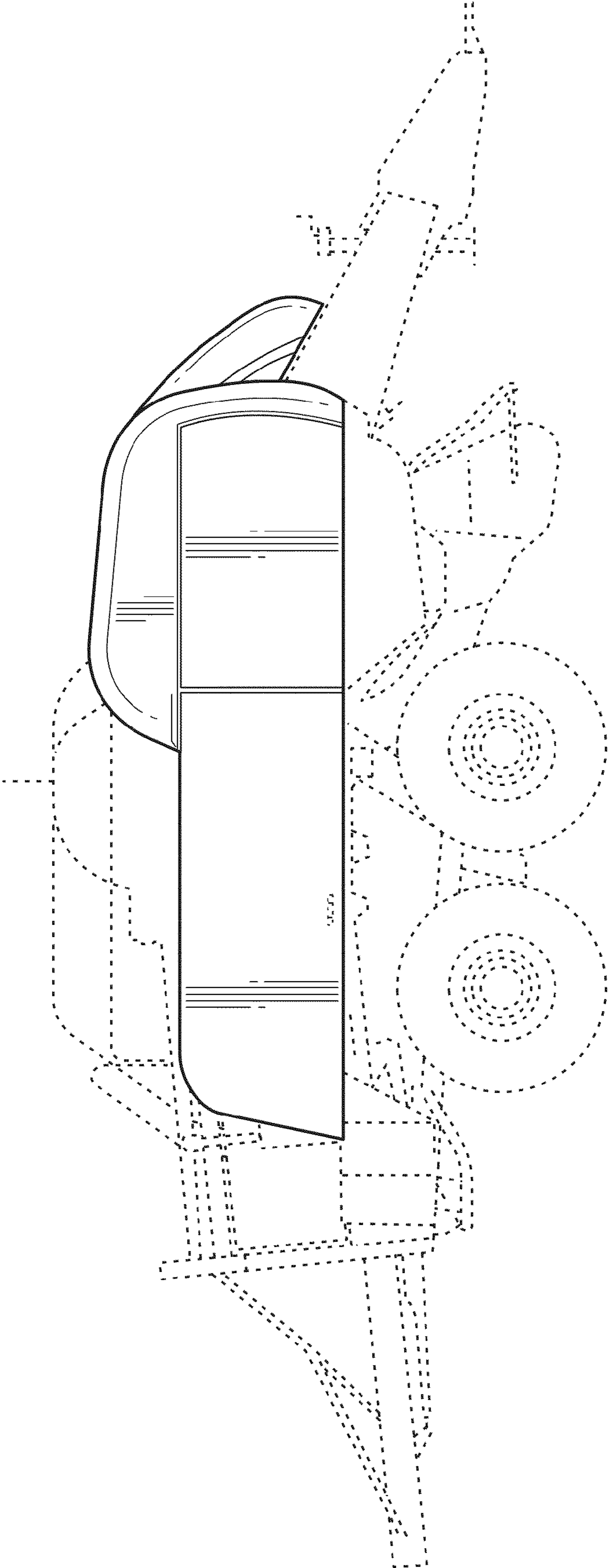


FIG. 2

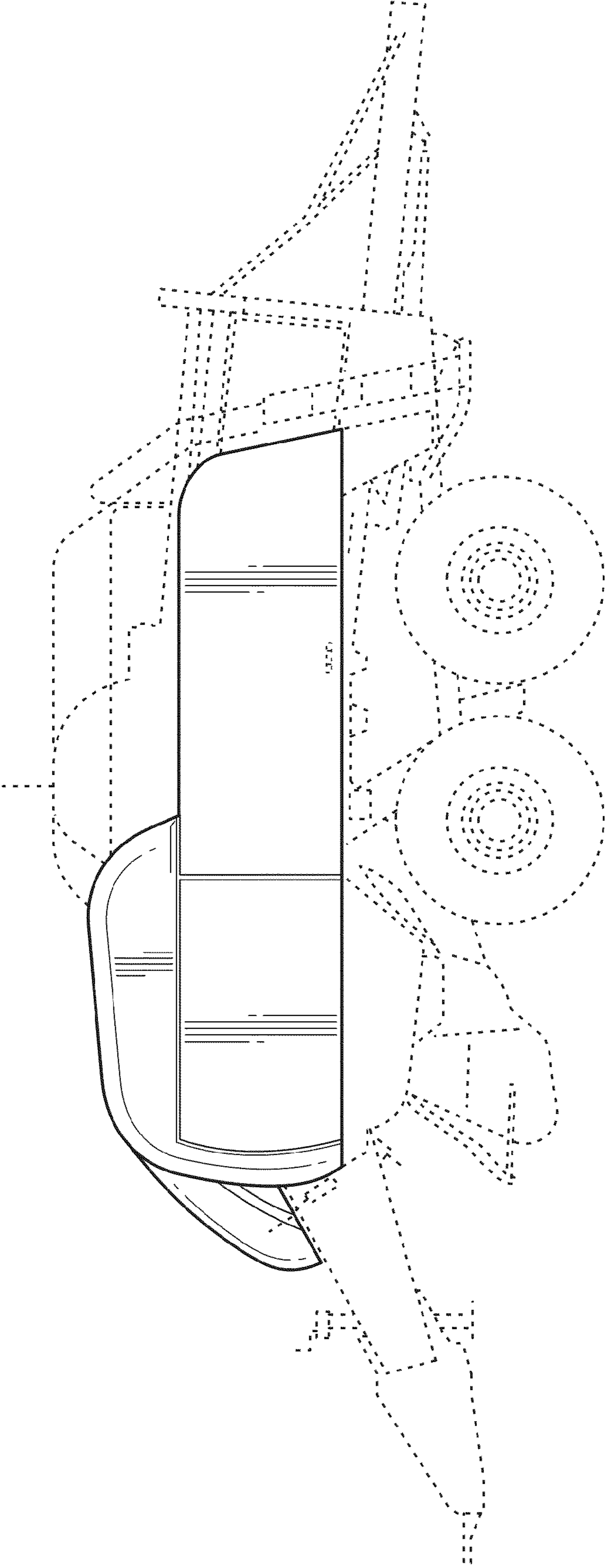


FIG. 3

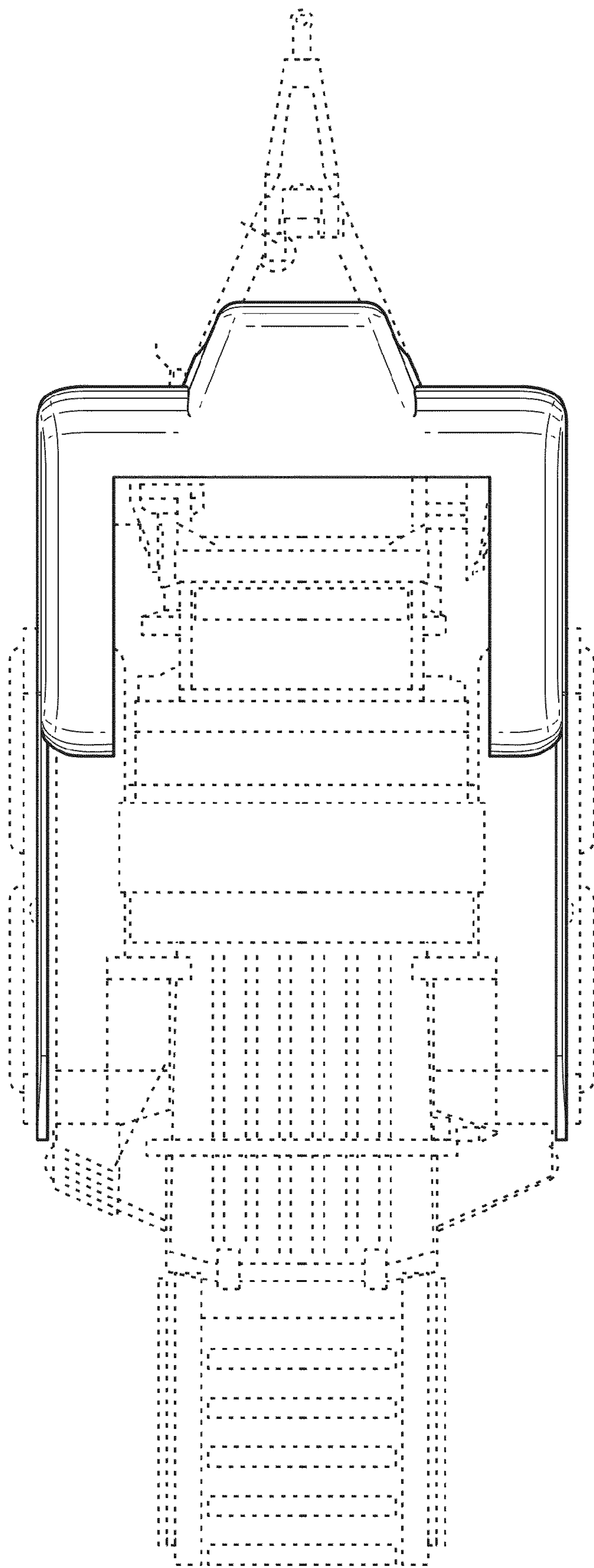


FIG. 4

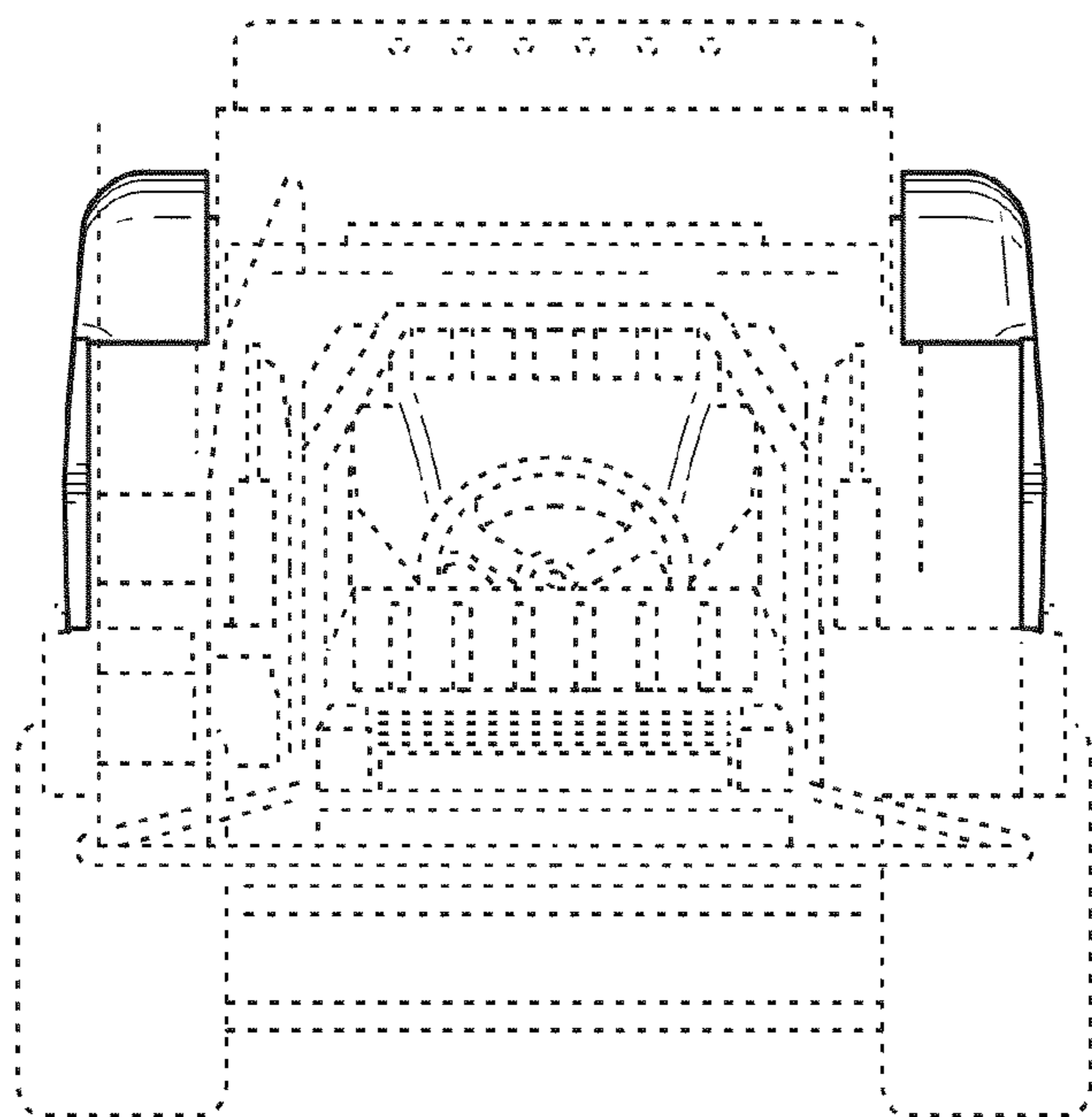


FIG. 5

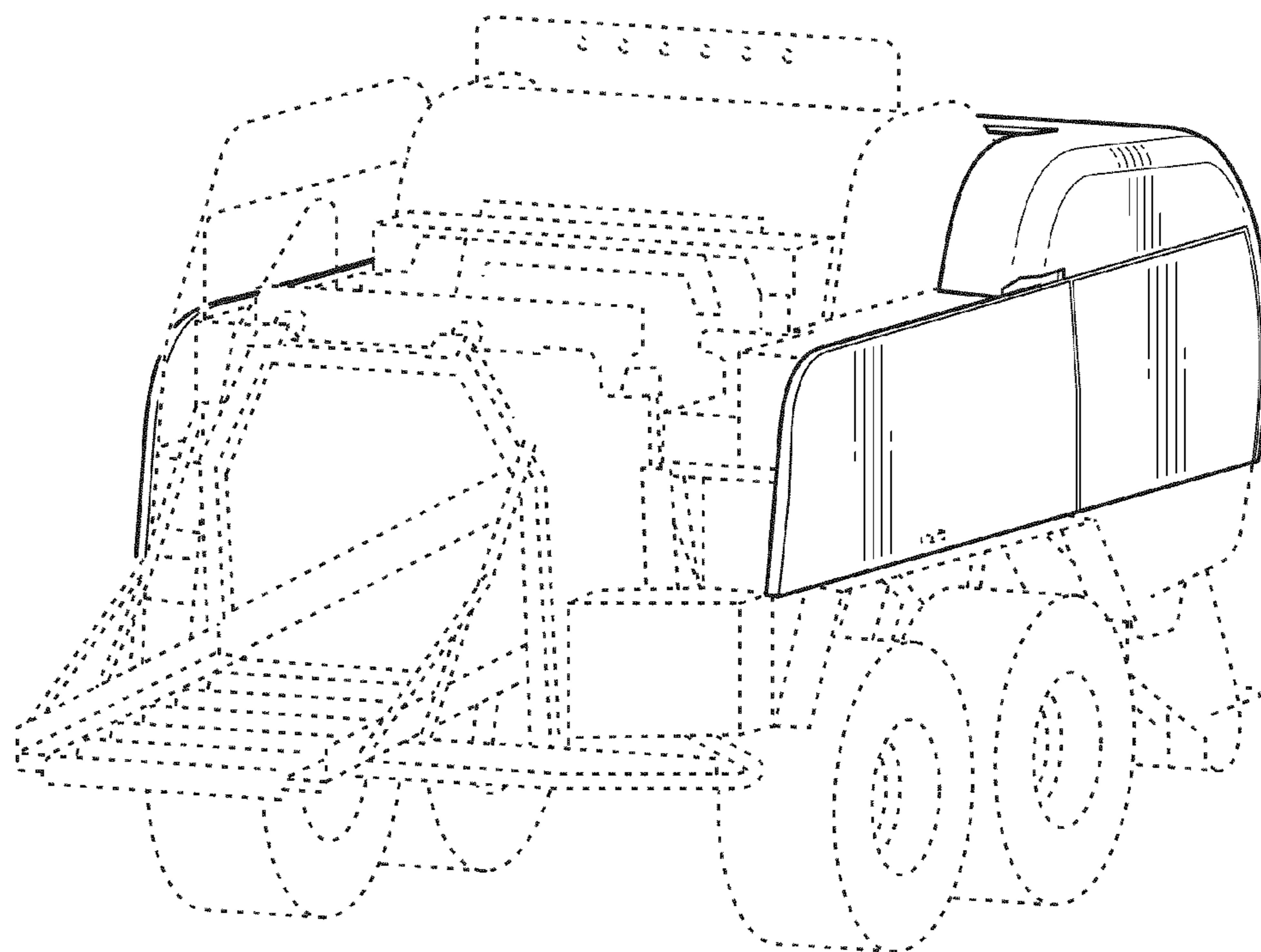


FIG. 6