



US00D608373S

(12) **United States Design Patent**
Stewart, Jr.

(10) **Patent No.:** **US D608,373 S**

(45) **Date of Patent:** **** Jan. 19, 2010**

(54) **CARBURETOR FLOAT BOWL**

(76) Inventor: **Howard C. Stewart, Jr.**, 222 Hillcrest Dr., High Point, NC (US) 27262

(**) Term: **14 Years**

(21) Appl. No.: **29/329,890**

(22) Filed: **Dec. 23, 2008**

(51) **LOC (9) Cl.** **15-01**

(52) **U.S. Cl.** **D15/6**

(58) **Field of Classification Search** D15/5,
D15/6; 261/18.3, 23.2, 44.1, 78.1, 45, 70,
261/DIG. 12, DIG. 39, DIG. 56, DIG. 50
See application file for complete search history.

(56) **References Cited**

U.S. PATENT DOCUMENTS

4,430,275	A	2/1984	Horton	261/18 B
5,283,011	A	2/1994	McClintic et al.	261/23.2
D457,170	S *	5/2002	Braswell	D15/6
D457,894	S *	5/2002	Braswell	D15/6
D457,896	S *	5/2002	Braswell	D15/6
6,554,258	B2 *	4/2003	Braswell	261/70
D543,555	S *	5/2007	Braswell et al.	D15/6

D543,999 S * 6/2007 Braswell et al. D15/6

* cited by examiner

Primary Examiner—Cathron C. Brooks

Assistant Examiner—Maurice Stevens

(57) **CLAIM**

The ornamental design for a carburetor float bowl, as shown and described.

DESCRIPTION

FIG. 1 is a top, front, right side perspective view of a carburetor float bowl embodying my design;

FIG. 2 is a left side elevational view thereof;

FIG. 3 is a right side elevational view thereof;

FIG. 4 is a top plan view thereof;

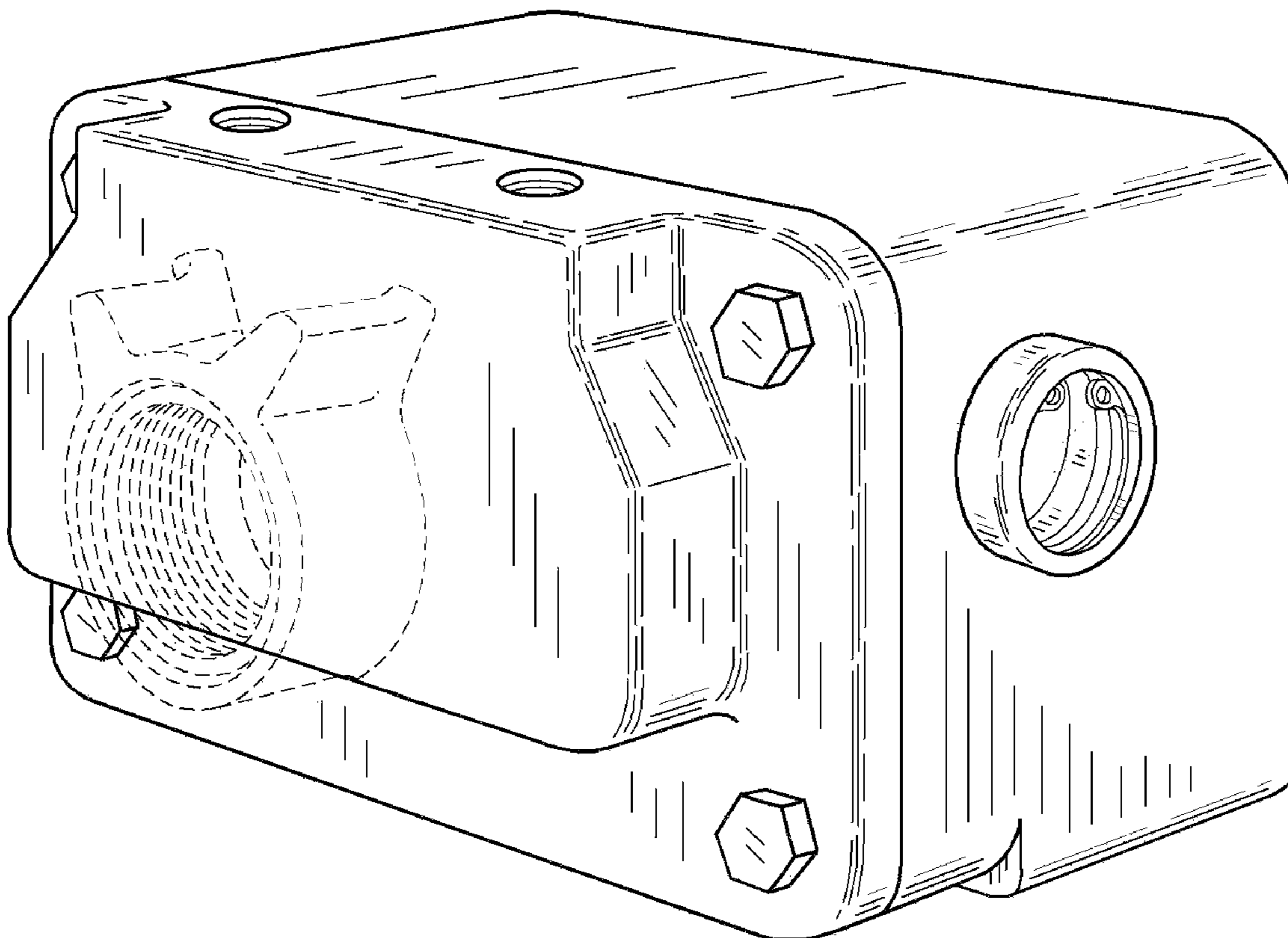
FIG. 5 is a bottom plan view thereof;

FIG. 6 is a rear elevational view thereof; and,

FIG. 7 is a front elevational view thereof.

The broken lines show in the drawings represent unclaimed portions of the carburetor float bowl and form no part of the claimed design.

1 Claim, 4 Drawing Sheets



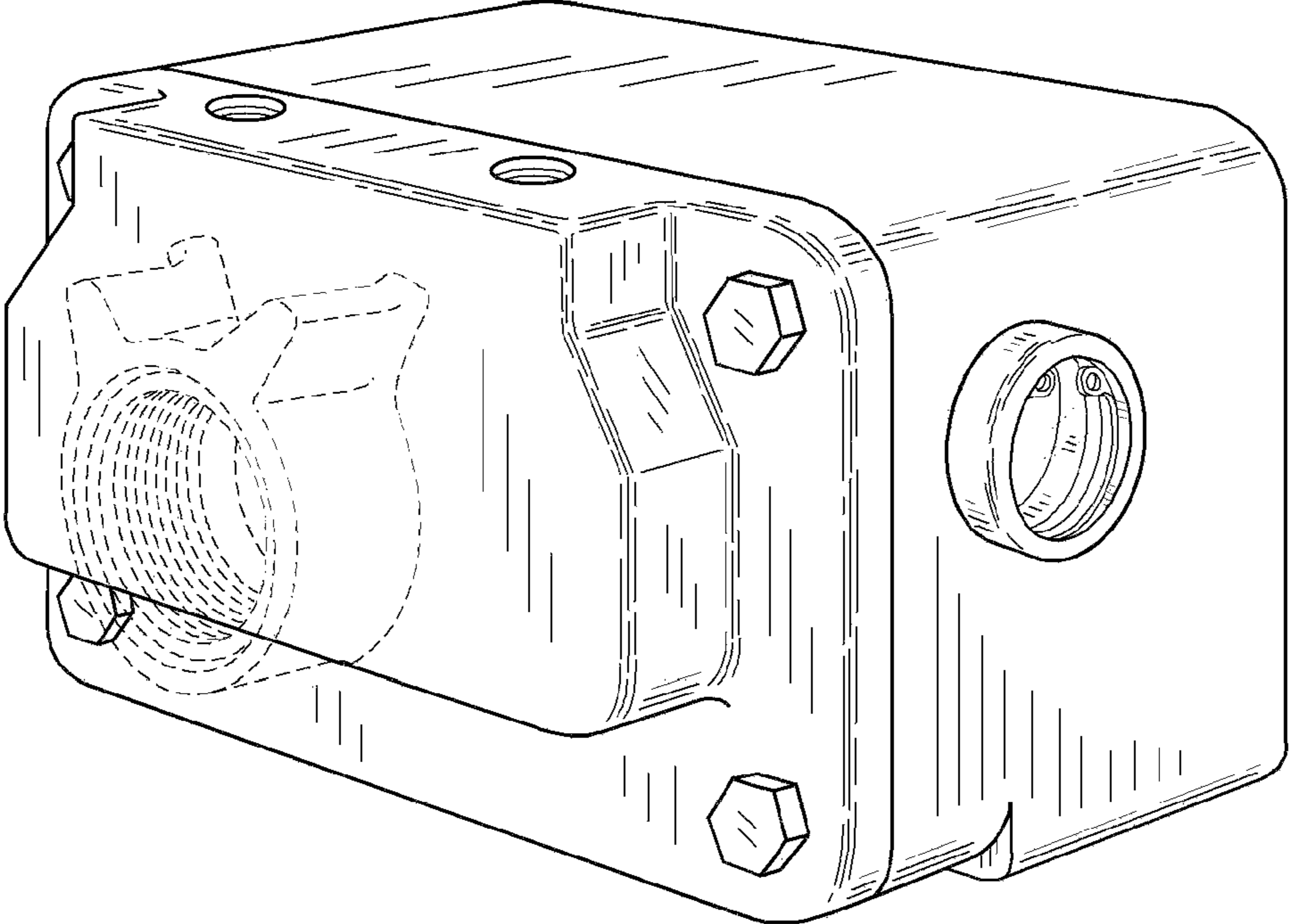


Fig. 1

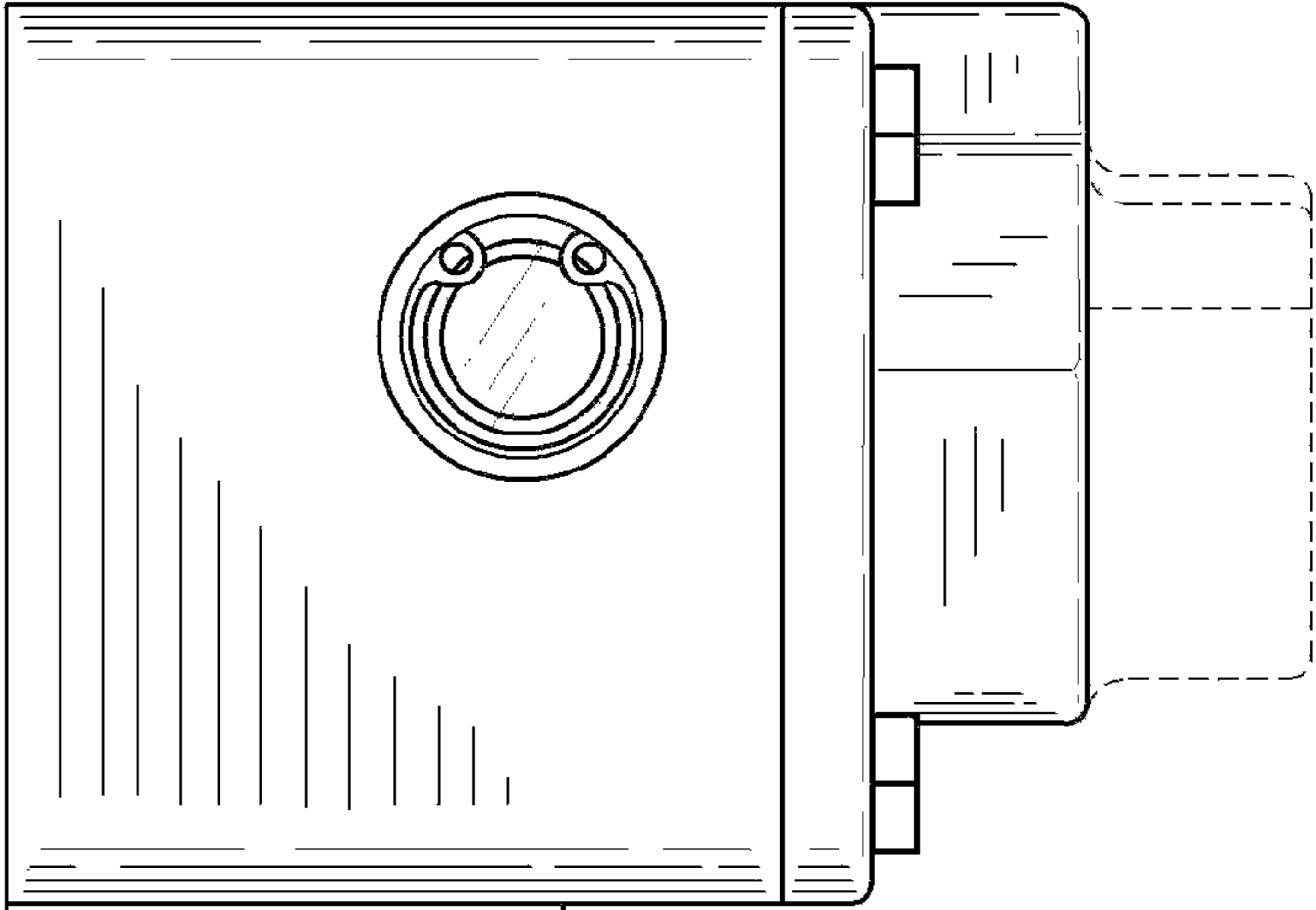


Fig. 2

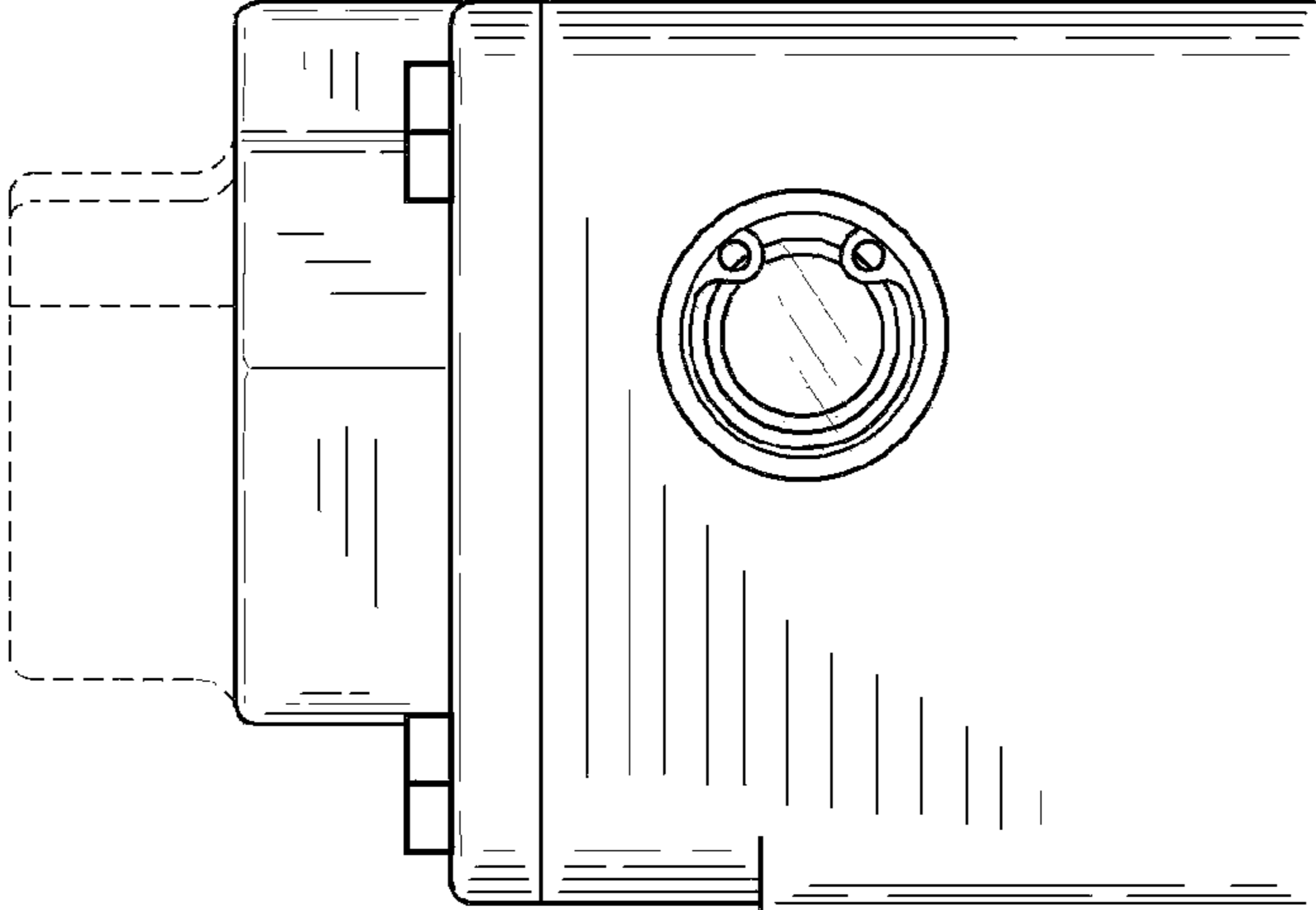


Fig. 3

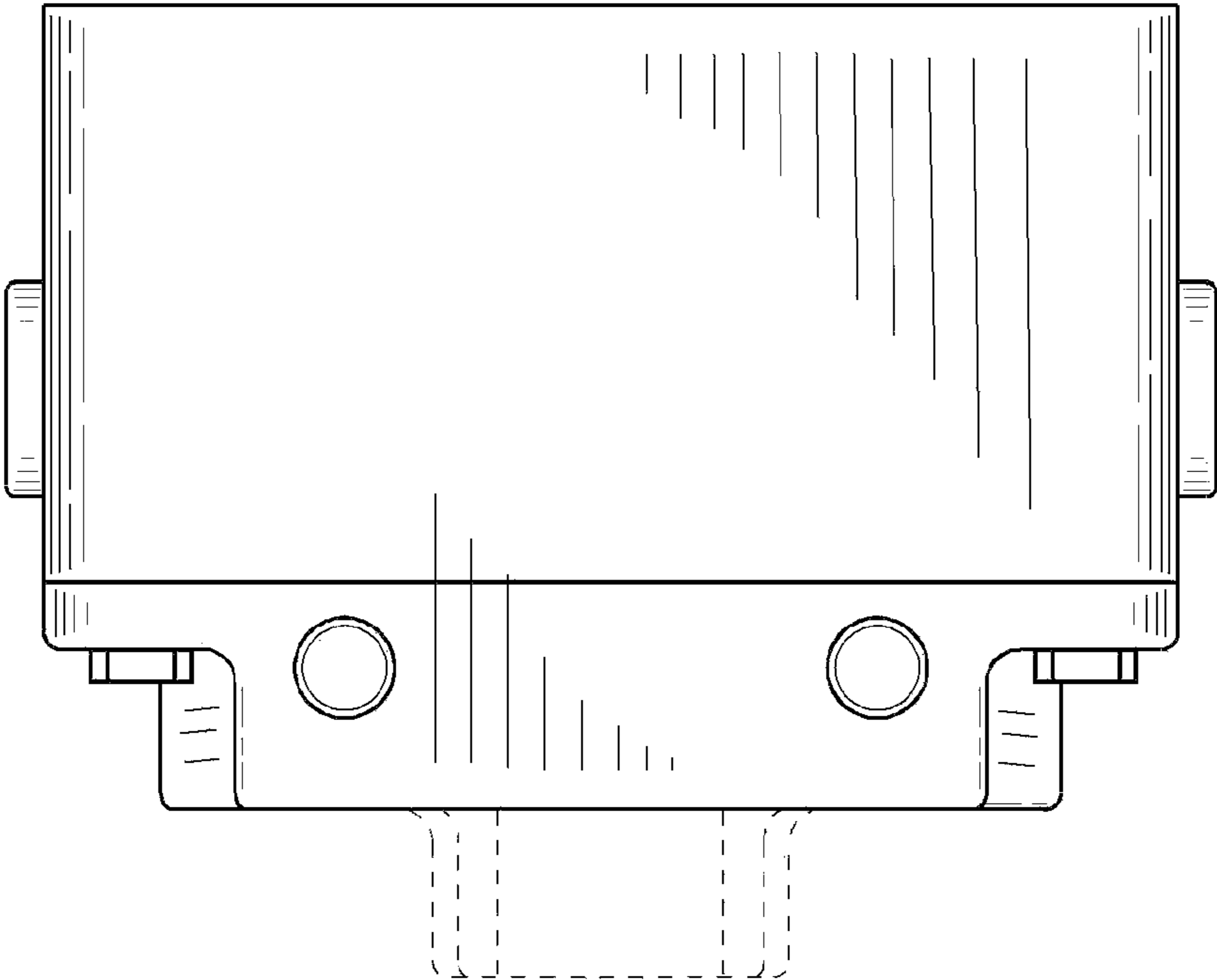


Fig. 4

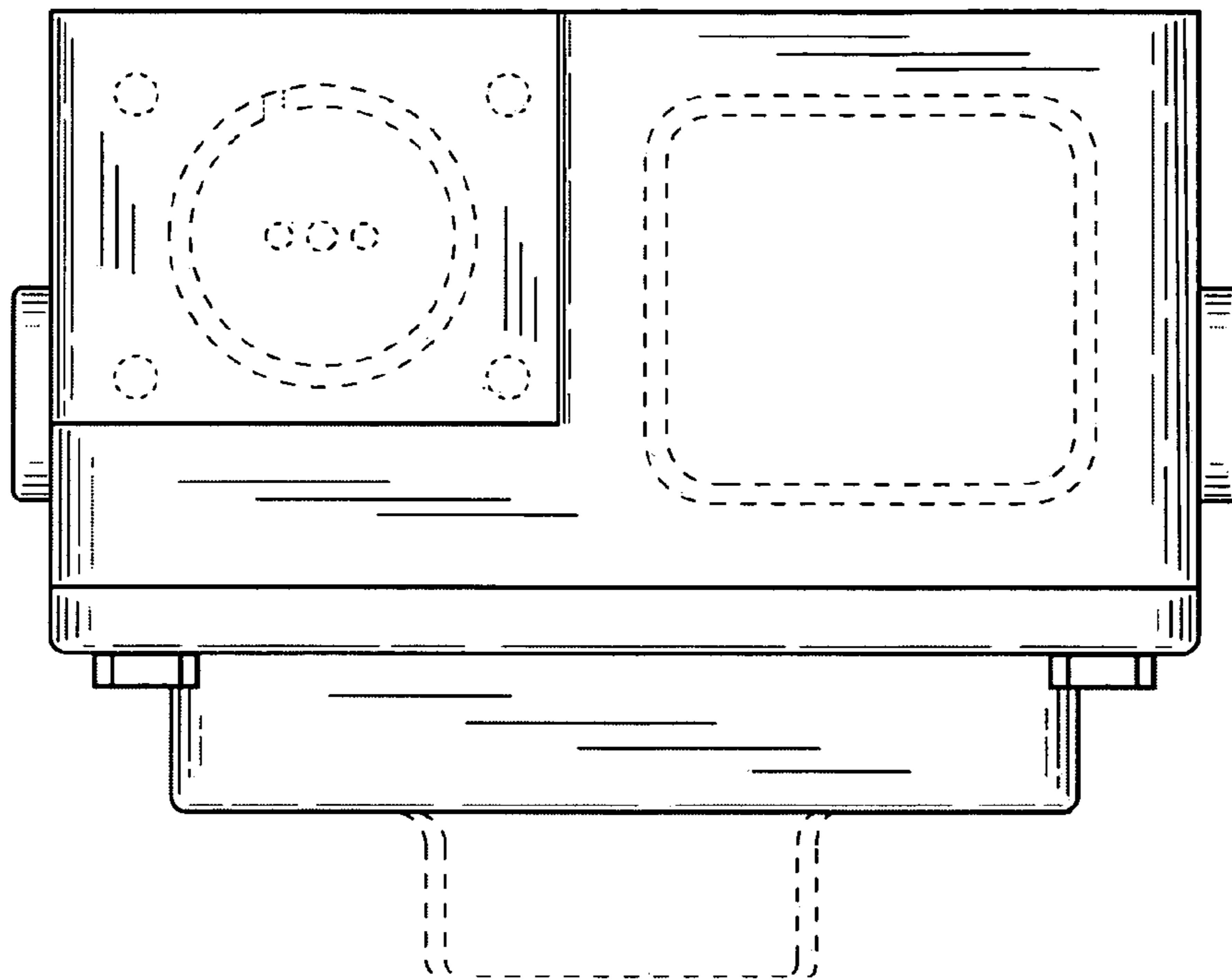


Fig. 5

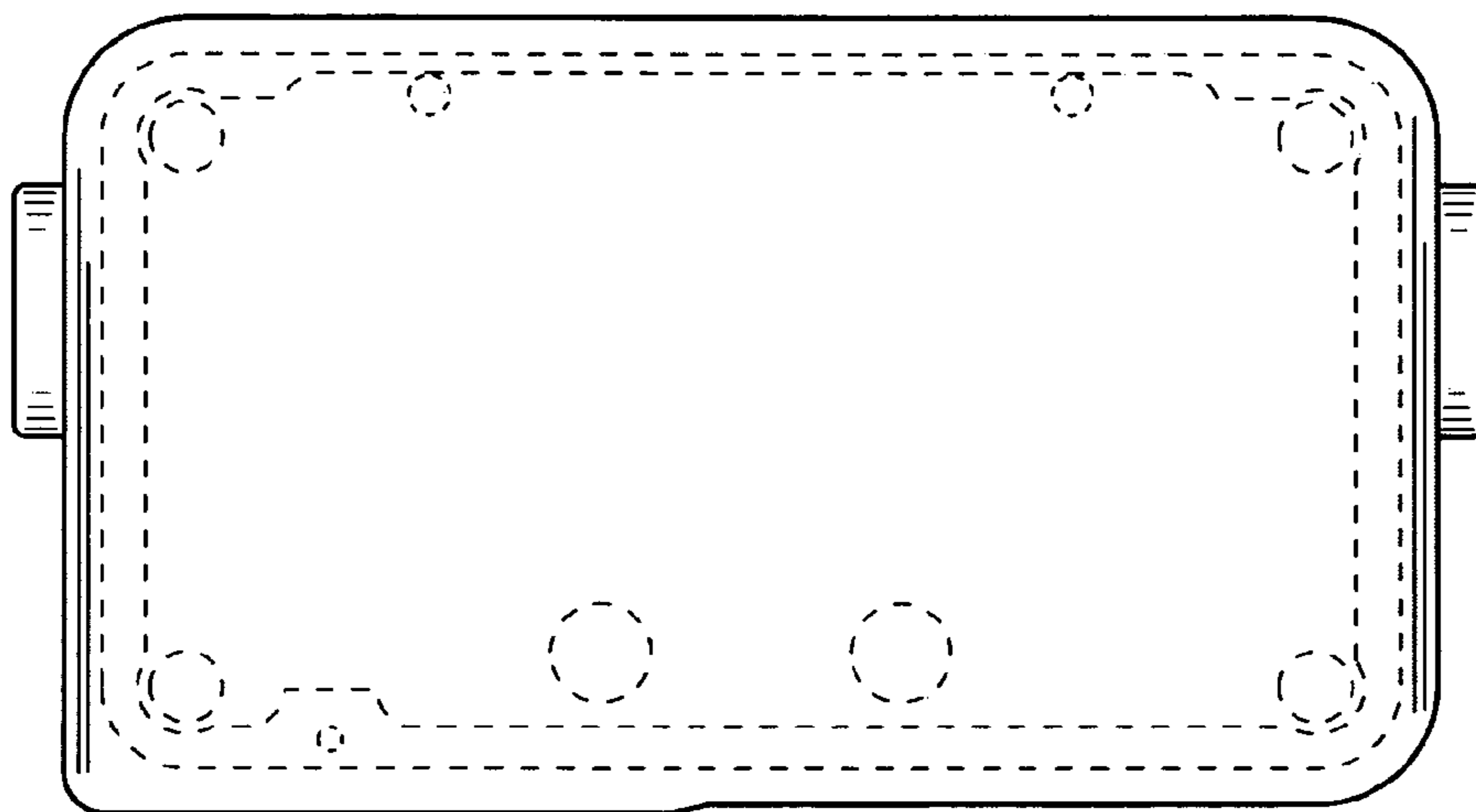


Fig. 6

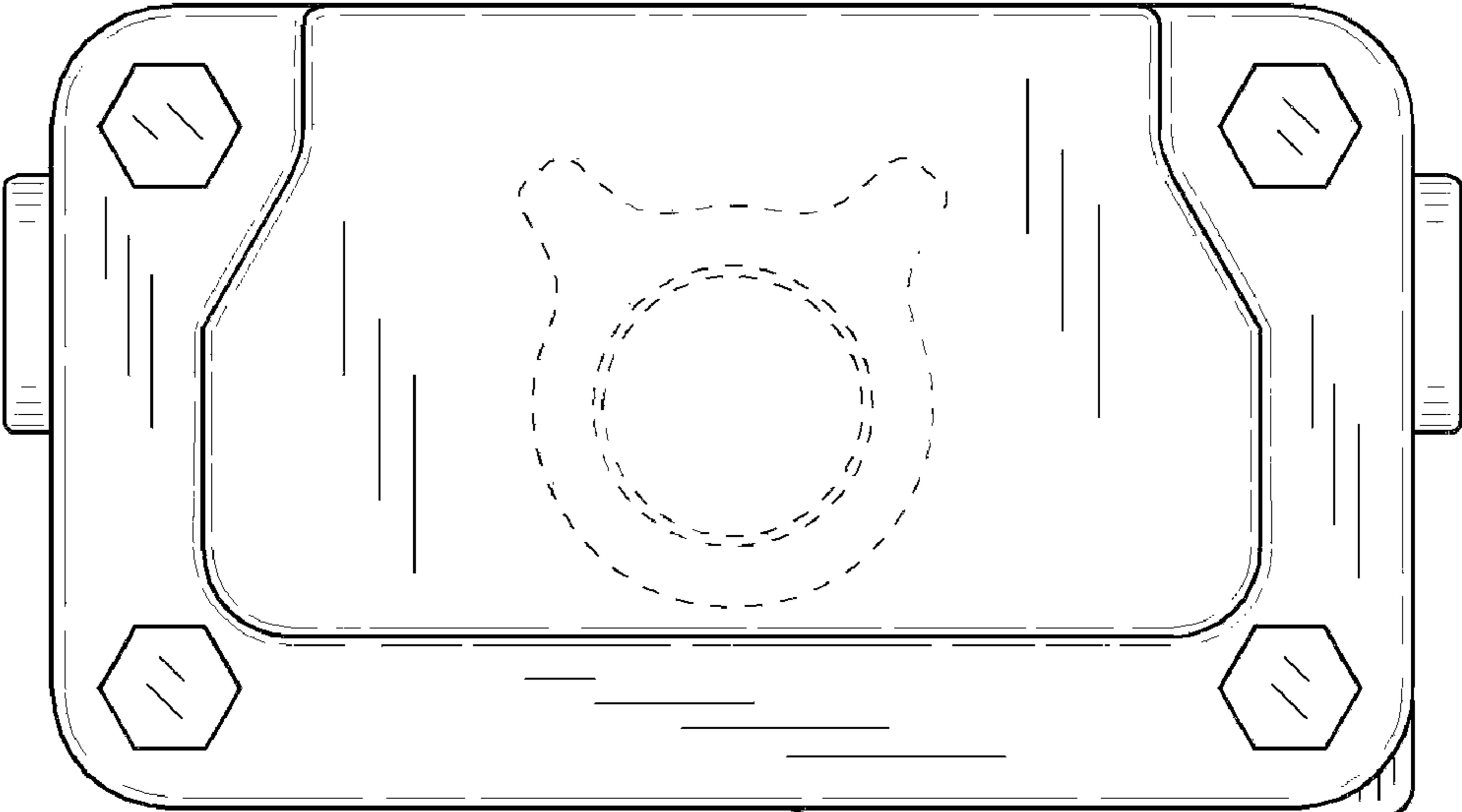


Fig. 7