



US00D608372S

(12) **United States Design Patent**
Brace et al.

(10) **Patent No.:** **US D608,372 S**
(45) **Date of Patent:** **** *Jan. 19, 2010**

(54) **MOTORCYCLE CYLINDER HEAD**

(75) Inventors: **Brian Brace**, Hillsboro, MO (US); **John Garrison**, Arnold, MO (US)

(73) Assignee: **Midwest Motorcycle Supply Distributors Corp.**, Pevely, MO (US)

(*) Notice: This patent is subject to a terminal disclaimer.

(**) Term: **14 Years**

(21) Appl. No.: **29/331,942**

(22) Filed: **Feb. 5, 2009**

(51) **LOC (9) Cl.** **15-01**

(52) **U.S. Cl.** **D15/5**

(58) **Field of Classification Search** D15/1-5;
D12/110, 114, 126; 123/41.56, 41.69, 41.86,
123/54.1, 54.4, 55.1, 90.61, 196 AS, 196 R,
123/197.3, 572-574, 52.1-52.6, 193.1-193.6;
184/6.5-6.9; 180/219

See application file for complete search history.

(56) **References Cited**

U.S. PATENT DOCUMENTS

D294,264 S * 2/1988 Davidson et al. D15/3

(Continued)

Primary Examiner—Philip S Hyder

Assistant Examiner—Linda G. Brooks

(74) *Attorney, Agent, or Firm*—Thompson Coburn LLP;
Clyde L. Smith

(57) **CLAIM**

We claim the ornamental design for a motorcycle cylinder head, as shown and described.

DESCRIPTION

FIG. 1 is a front view of a design for a motorcycle cylinder head in accordance with the invention.

FIG. 2 is a right view of the design for a motorcycle cylinder head shown in FIG. 1.

FIG. 3 is a top view of the design for a motorcycle cylinder head shown in FIGS. 1 and 2.

FIG. 4 is a left view of the design for a motorcycle cylinder head shown in FIGS. 1-3.

FIG. 5 is a bottom view of the design for a motorcycle cylinder head shown in FIGS. 1-4.

FIG. 6 is a rear view of the design for a motorcycle cylinder head shown in FIGS. 1-5.

FIG. 7 is a perspective view of the design for a motorcycle cylinder head showing the top, left and front sides of the motorcycle cylinder head shown in FIGS. 1-6.

FIG. 8 is a perspective view of the design for a motorcycle cylinder head showing the top, right and front sides of the motorcycle cylinder head shown in FIGS. 1-7.

FIG. 9 is a perspective view of the design for a motorcycle cylinder head showing the bottom, right and front sides of the motorcycle cylinder head shown in FIGS. 1-8.

FIG. 10 is a perspective view of the design for a motorcycle cylinder head showing the bottom, left and front sides of the motorcycle cylinder head shown in FIGS. 1-9.

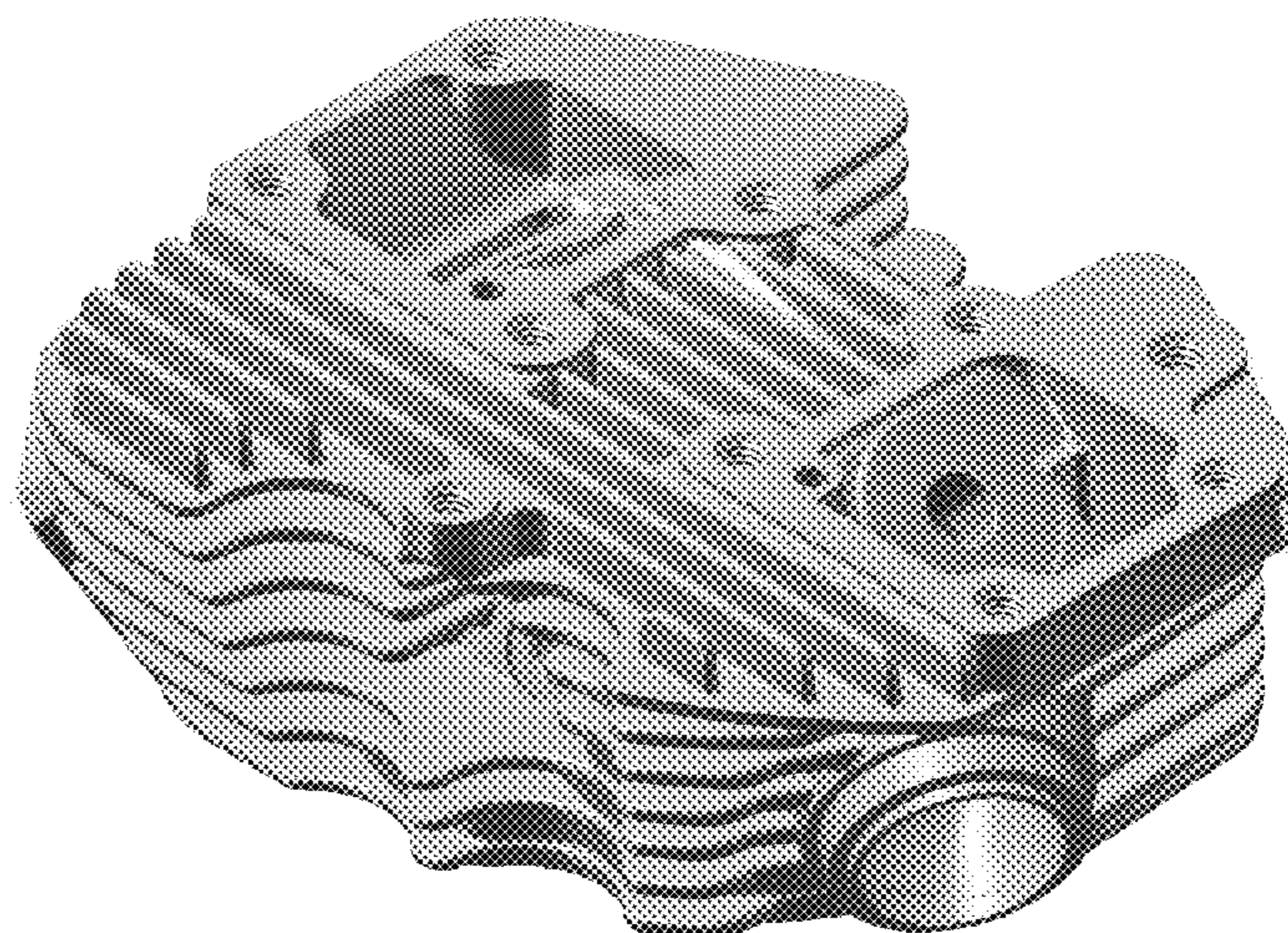
FIG. 11 is a perspective view of the design for a motorcycle cylinder head showing the top, right and rear sides of the motorcycle cylinder head shown in FIGS. 1-10.

FIG. 12 is a perspective view of the design for a motorcycle cylinder head showing the top, left and rear sides of the motorcycle cylinder head shown in FIGS. 1-11.

FIG. 13 is a perspective view of the design for a motorcycle cylinder head showing the bottom, left and rear sides of the motorcycle cylinder head shown in FIGS. 1-12; and,

FIG. 14 is a perspective view of the design for a motorcycle cylinder head showing the bottom, right and rear sides of the motorcycle cylinder head shown in FIGS. 1-13.

1 Claim, 11 Drawing Sheets



US D608,372 S

Page 2

U.S. PATENT DOCUMENTS

6,065,457	A *	5/2000	Hoffmann et al.	123/572	D499,742	S *	12/2004	Brinton	D15/5
D432,546	S *	10/2000	Savage et al.	D15/5	D500,768	S *	1/2005	Brinton	D15/5
6,296,071	B1 *	10/2001	Runte et al.	180/219	D522,022	S *	5/2006	Carlin et al.	D15/5
6,345,613	B1 *	2/2002	Hoffmann et al.	123/572	7,246,610	B2 *	7/2007	Sjovall et al.	123/572
D463,801	S *	10/2002	Kinsey et al.	D15/5	7,461,643	B2 *	12/2008	Reichardt et al.	123/572

* cited by examiner

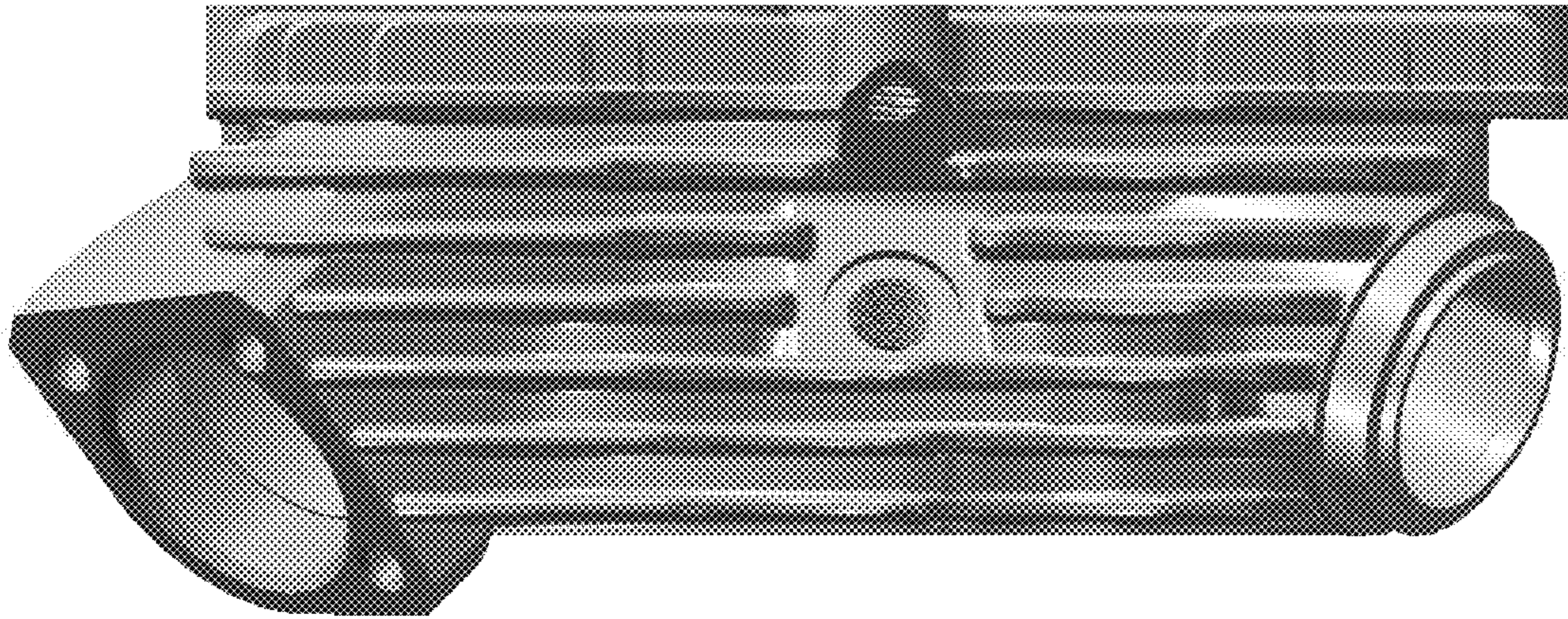


FIG. 1

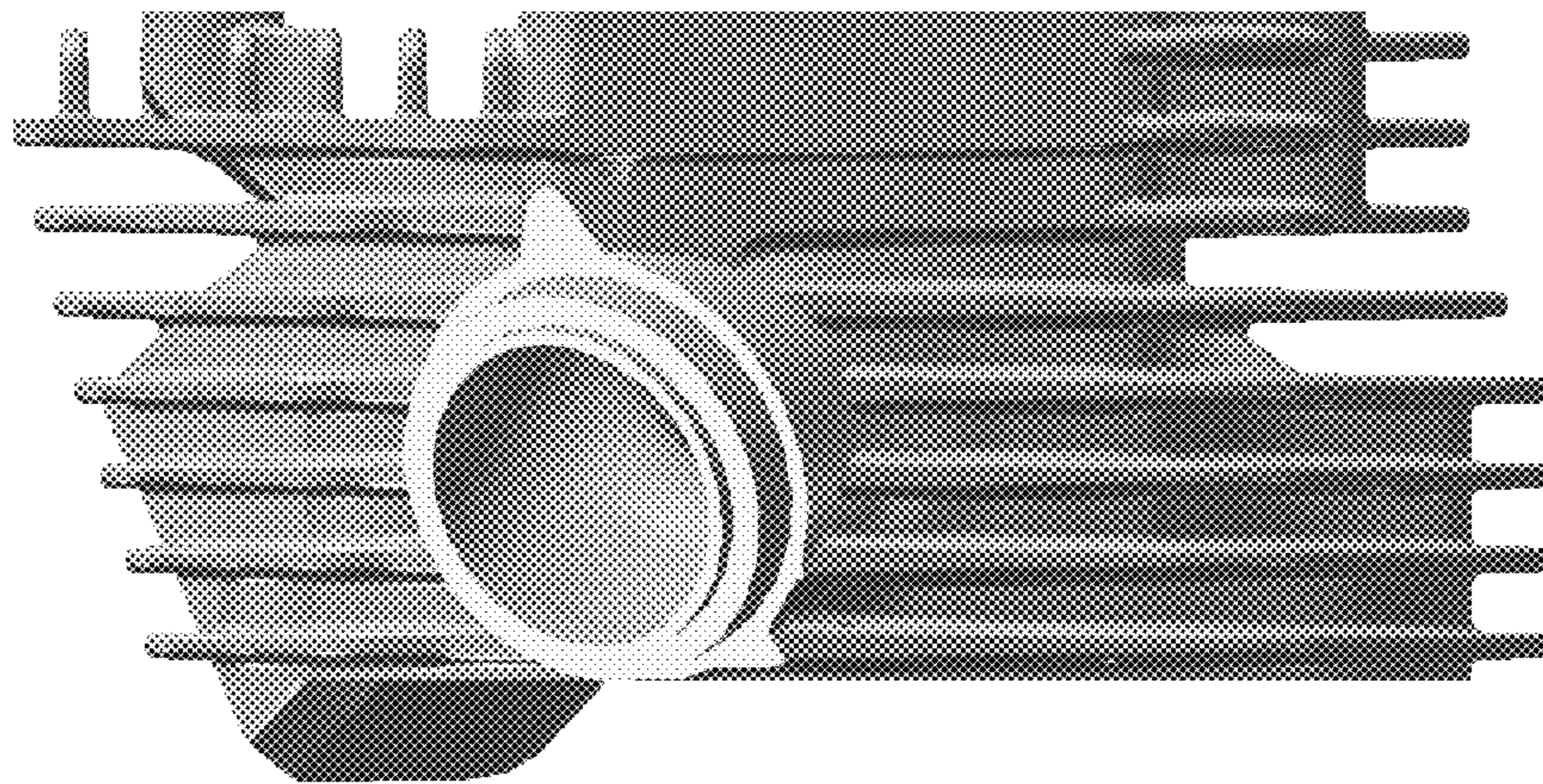


FIG. 2

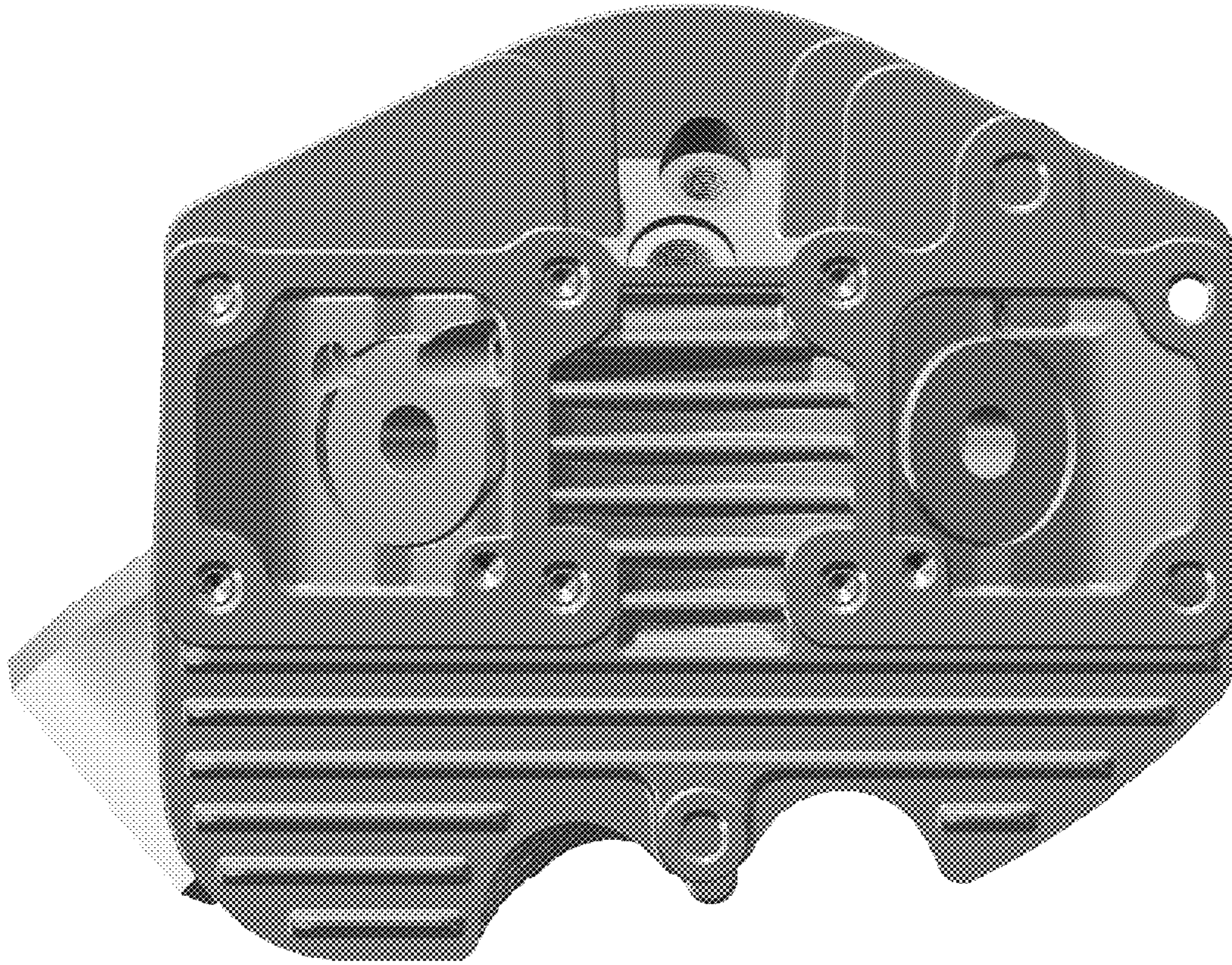


FIG. 3

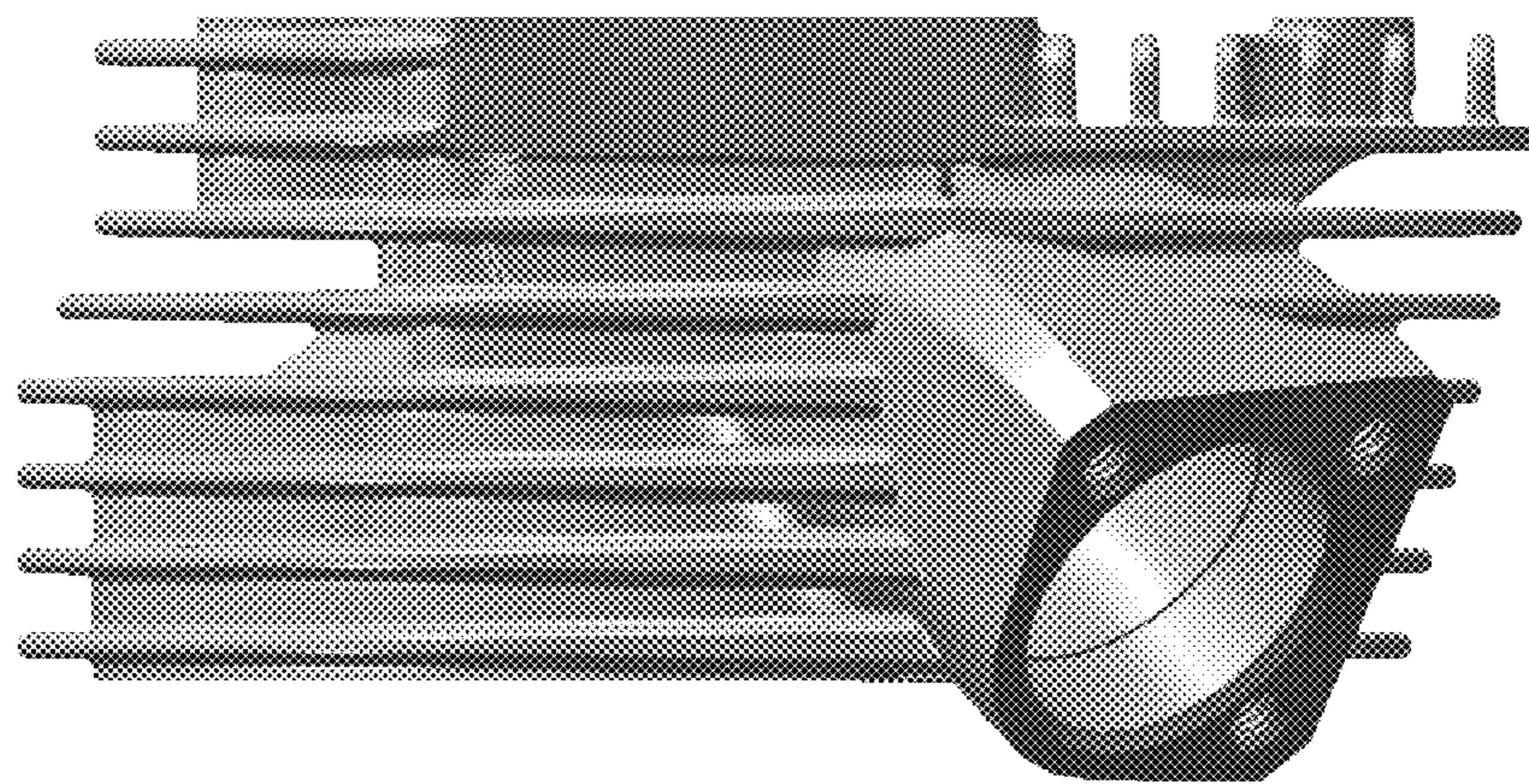


FIG. 4

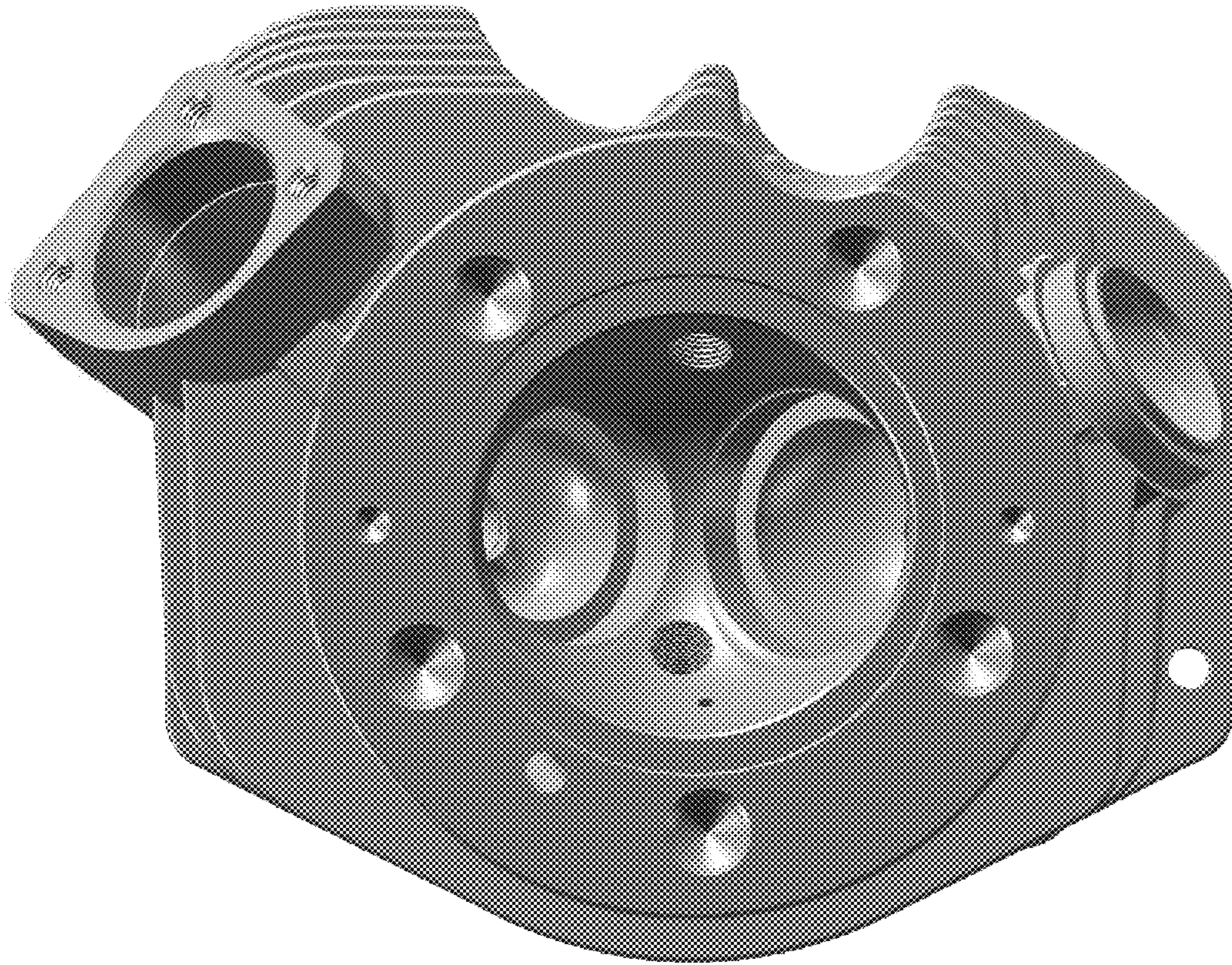


FIG. 5

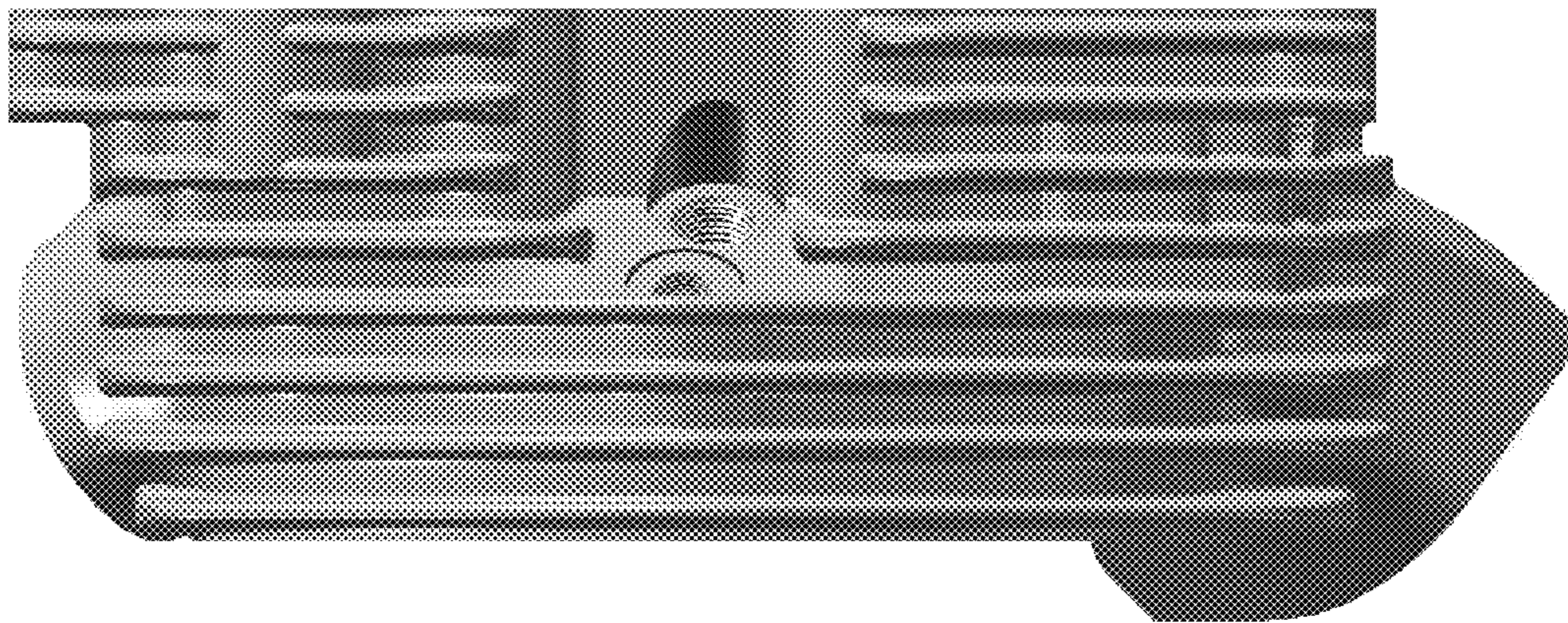


FIG. 6

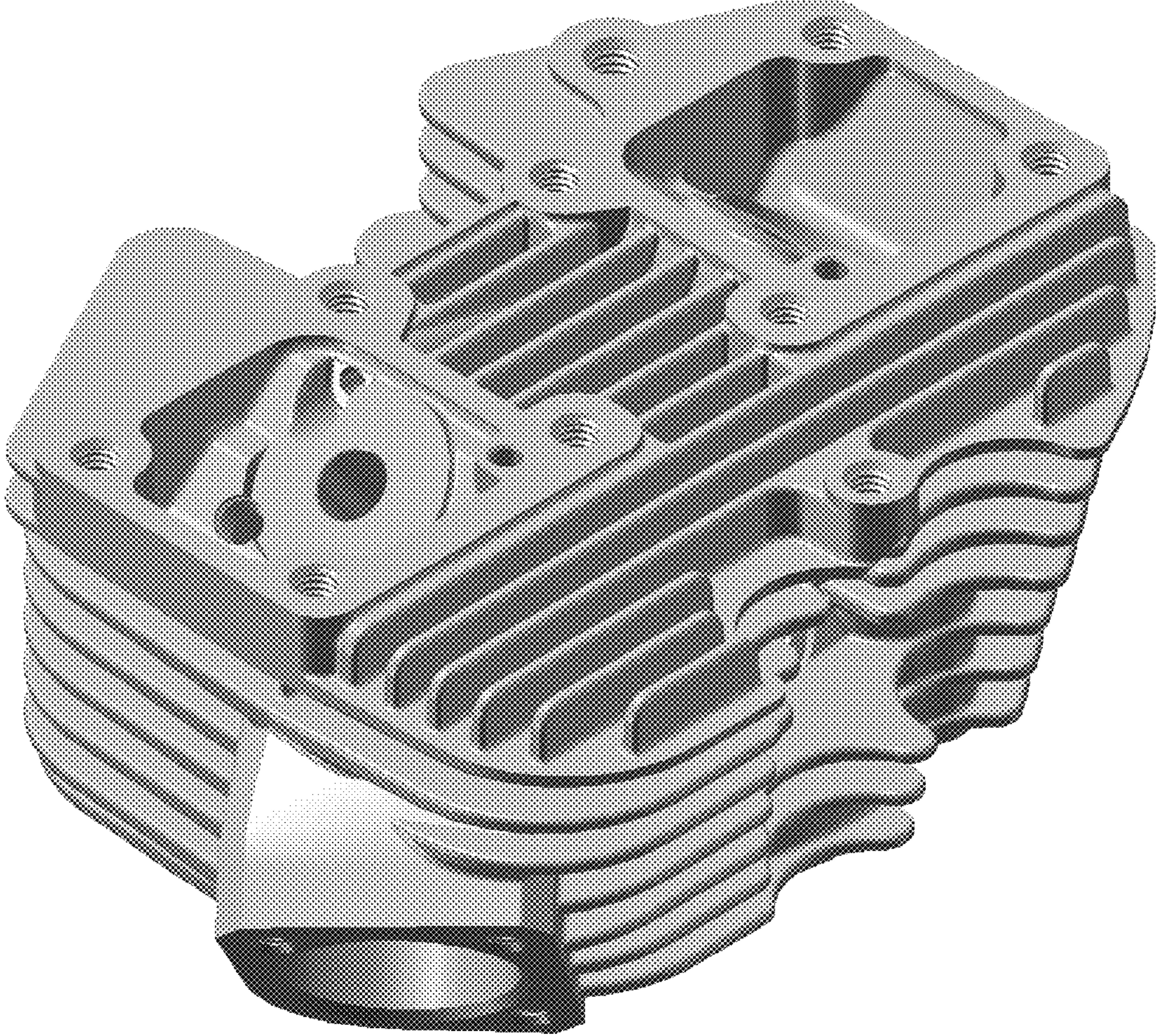


FIG. 7

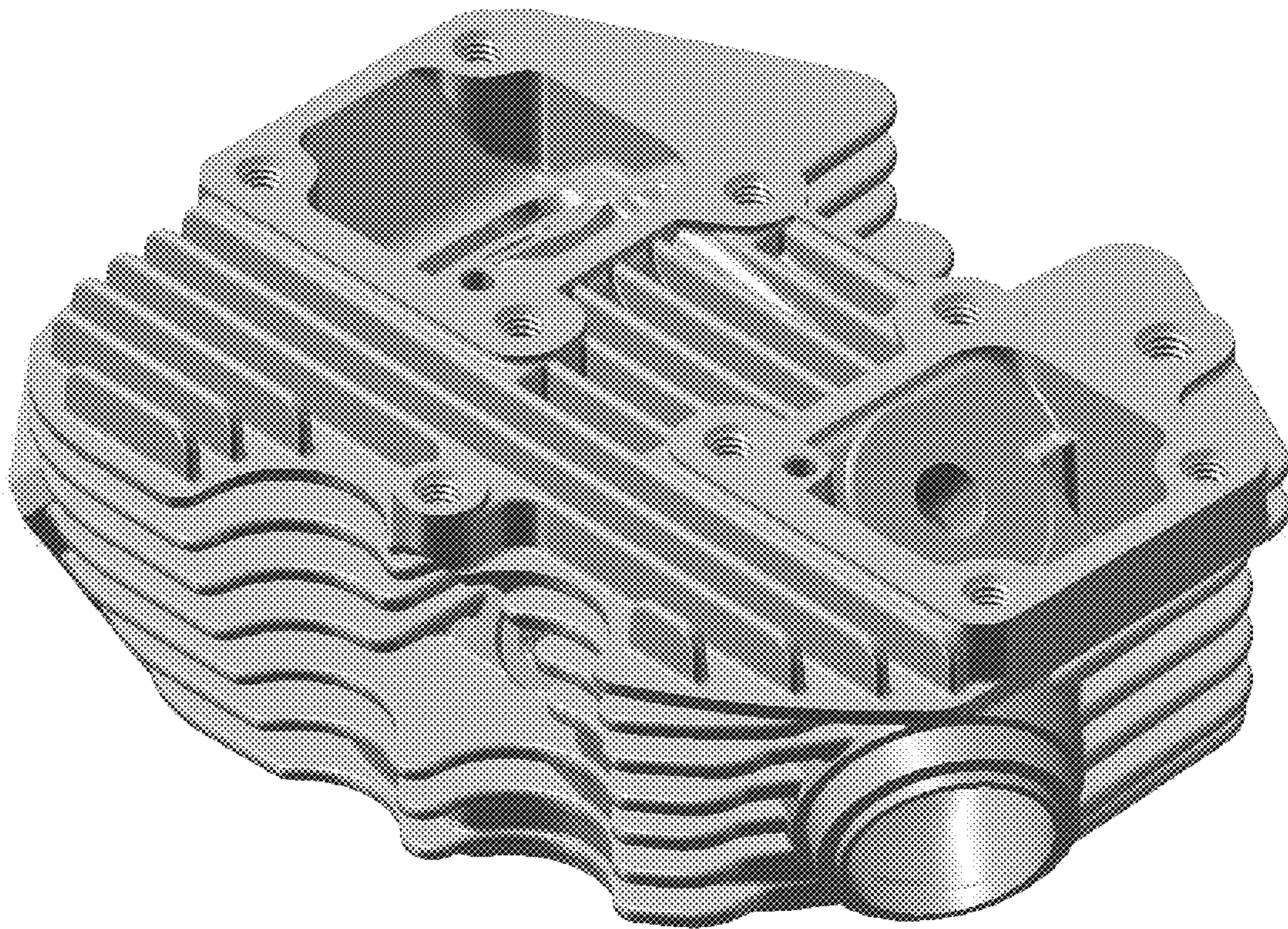


FIG. 8

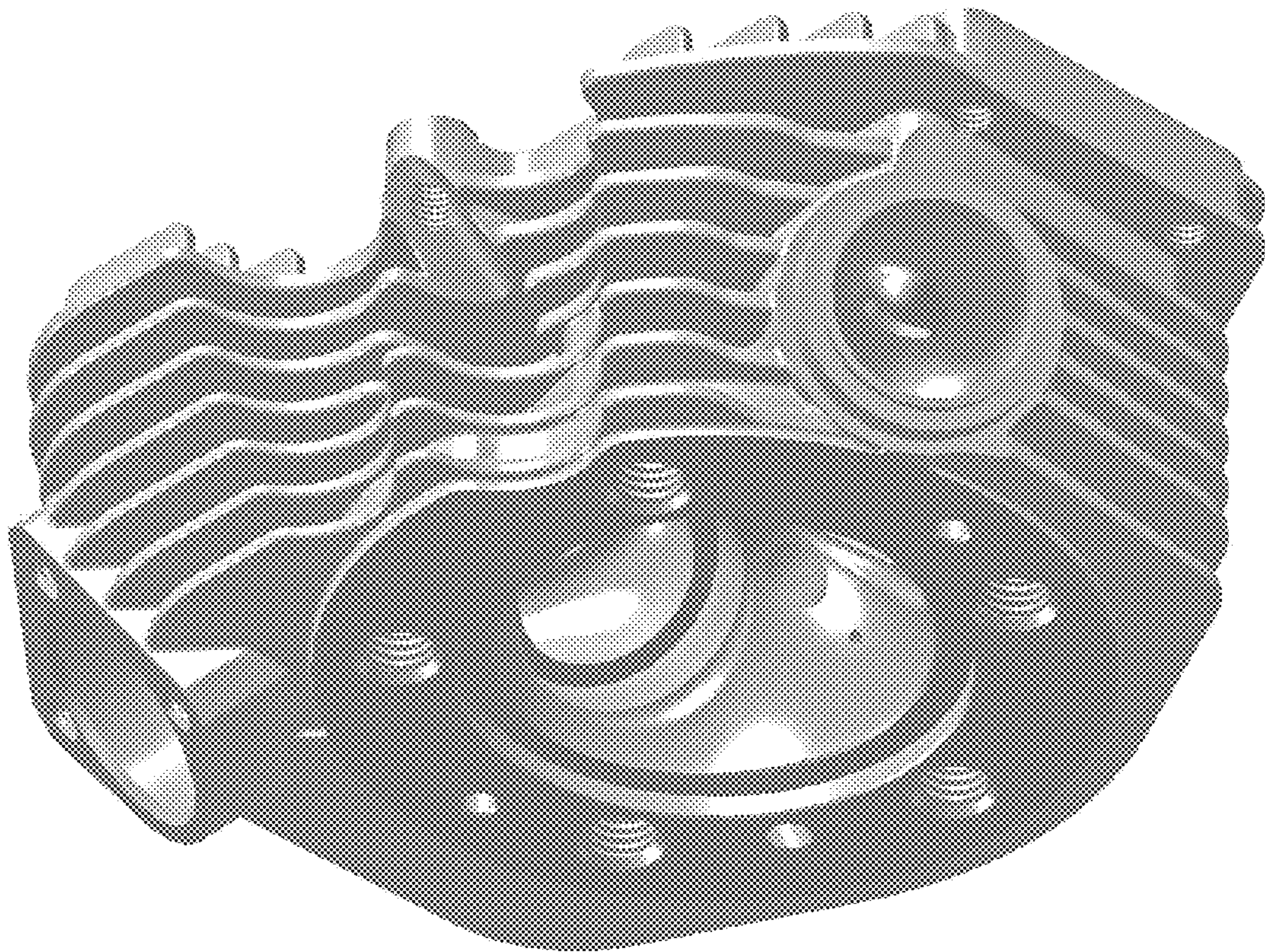


FIG. 9

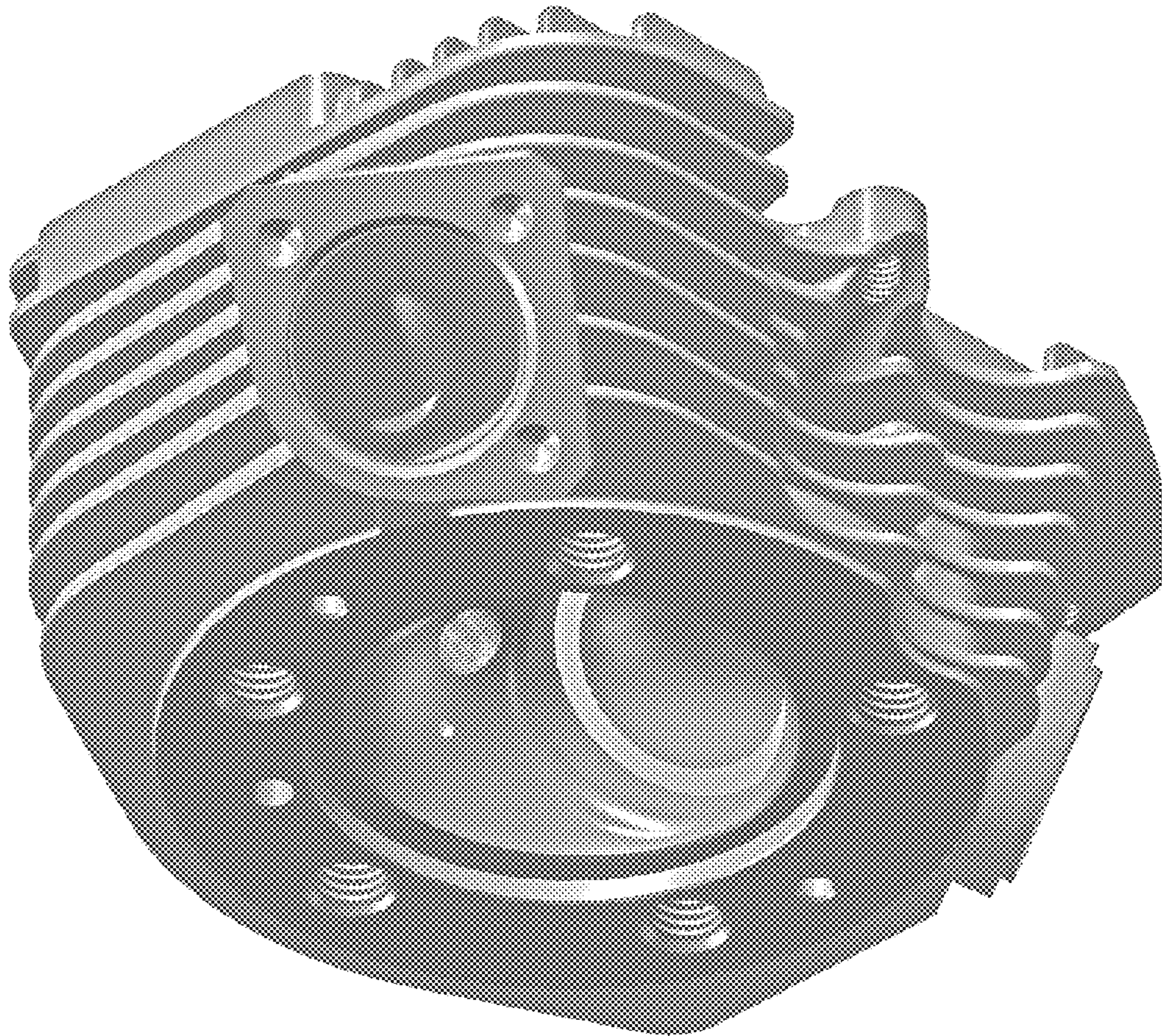


FIG. 10

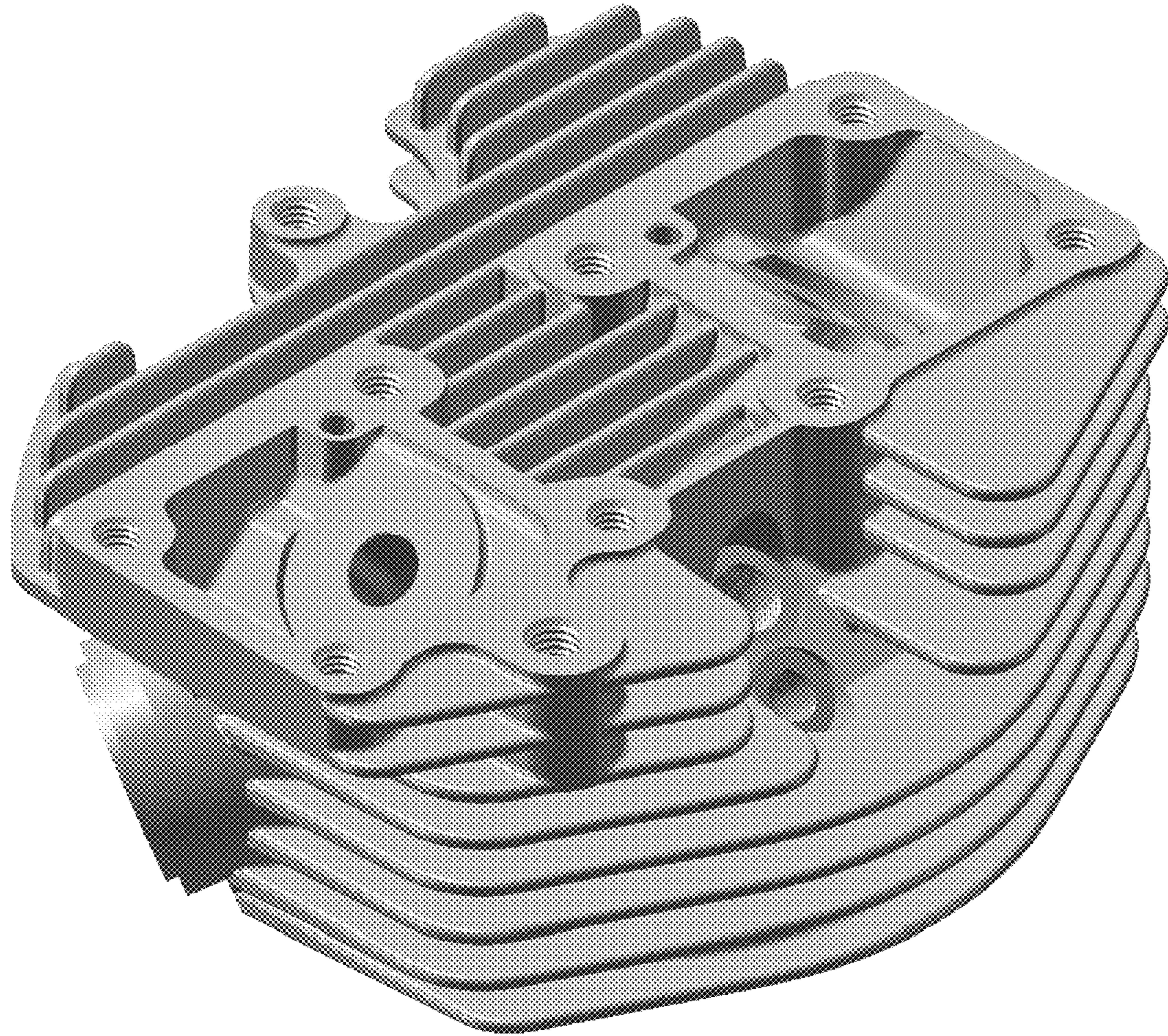


FIG. 11

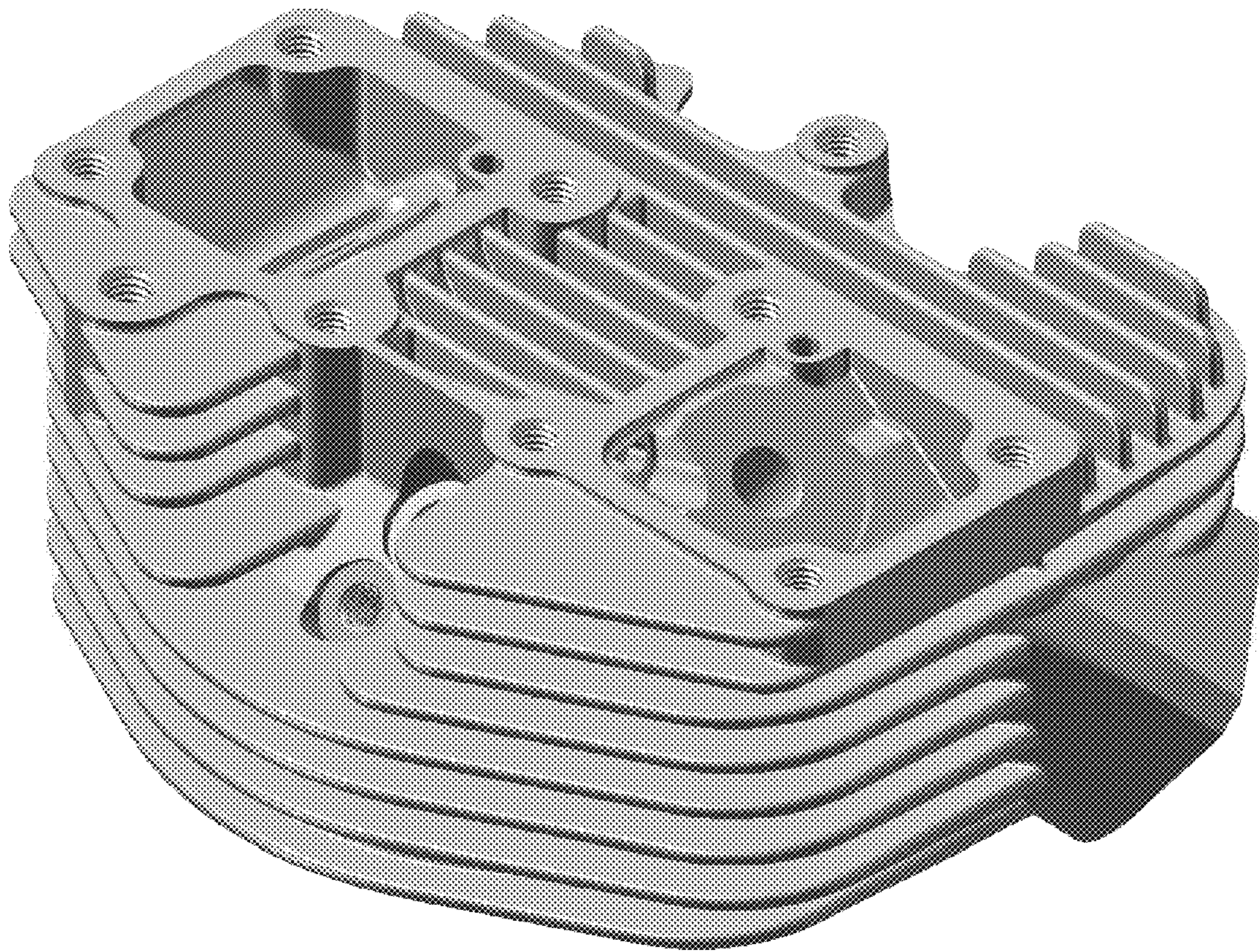


FIG. 12

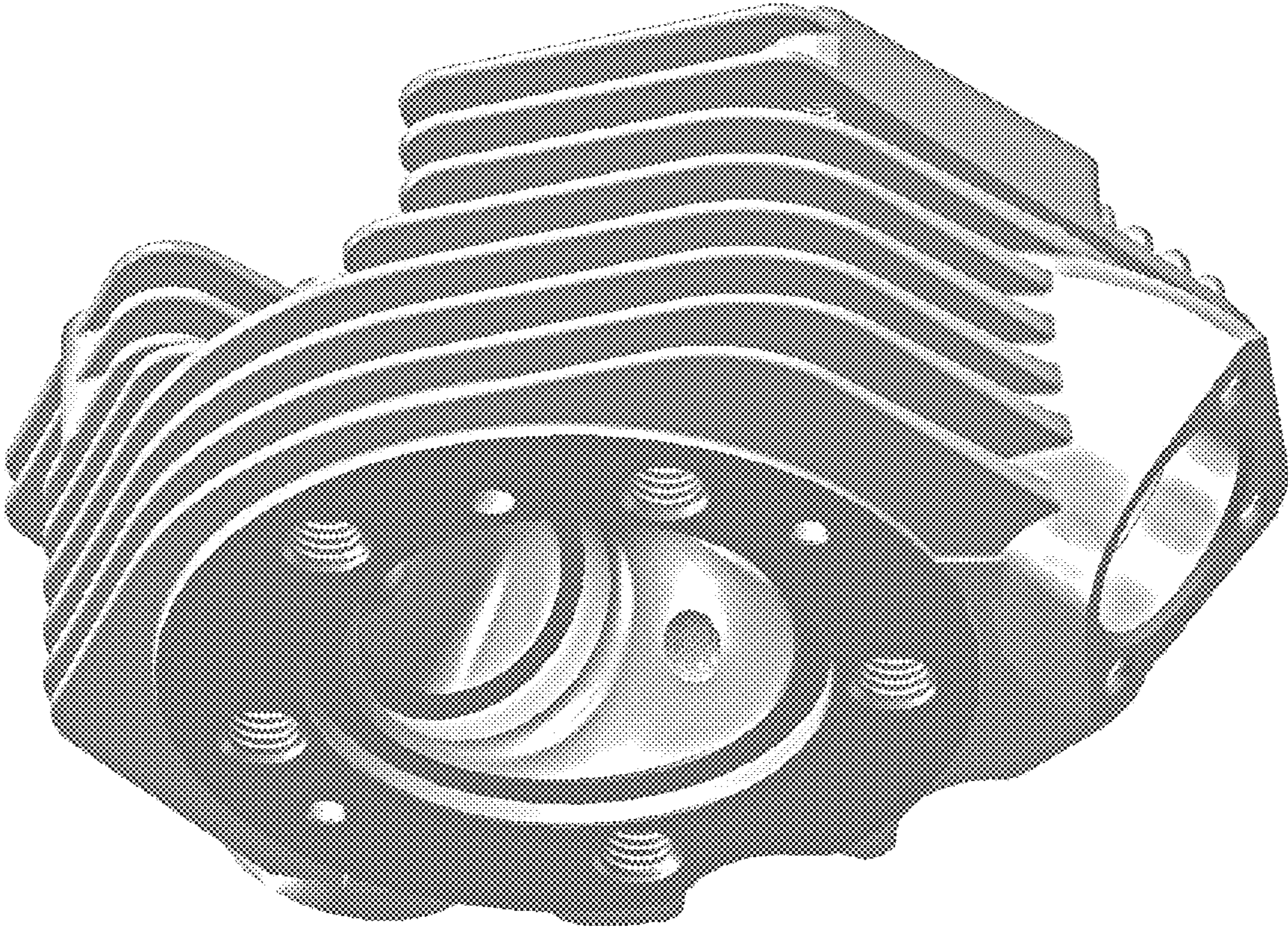


FIG. 13

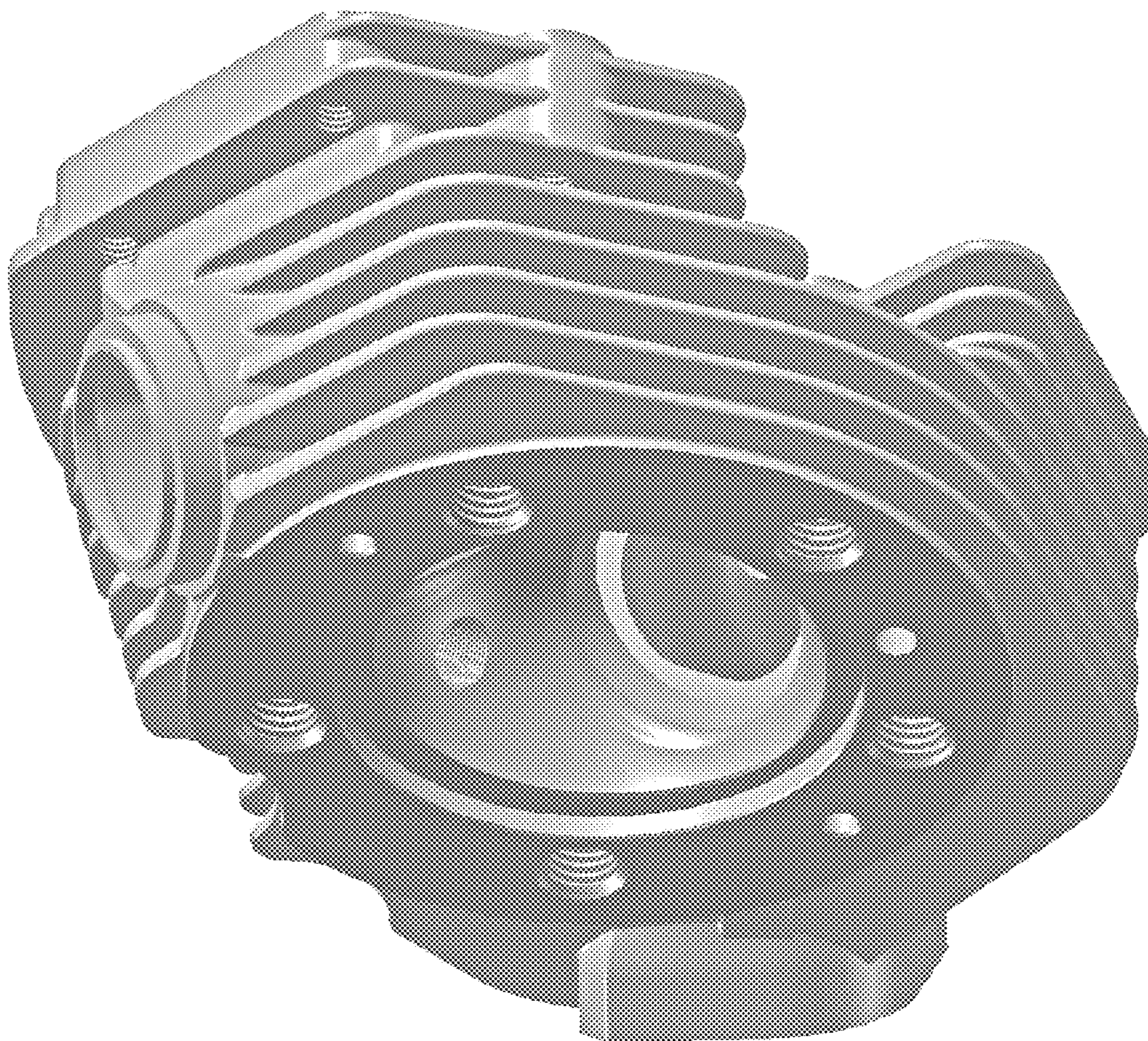


FIG. 14