

US00D608371S

(12) **United States Design Patent**  
**Perkins, II**

(10) **Patent No.:** **US D608,371 S**  
(45) **Date of Patent:** **\*\* Jan. 19, 2010**

(54) **PROPELLER SHIELD APPARATUS FOR TROLLING MOTOR**

7,488,226 B2 \* 2/2009 Perkins, II ..... 440/71

(76) **Inventor:** **Paul Simon Perkins, II**, 5937  
Springside Ave., Downers Grove, IL  
(US) 60516

\* cited by examiner

*Primary Examiner*—Ian Simmons  
*Assistant Examiner*—Wan Laymon  
(74) *Attorney, Agent, or Firm*—Erickson Law Group, P.C.

(\*\*) **Term:** **14 Years**

(21) **Appl. No.:** **29/320,756**

(22) **Filed:** **Jul. 2, 2008**

(57) **CLAIM**

The ornamental design for a propeller shield apparatus for a trolling motor, as shown and described.

(51) **LOC (9) Cl.** ..... **15-01**  
(52) **U.S. Cl.** ..... **D15/5**  
(58) **Field of Classification Search** ..... D15/1-5;  
D12/317, 214; 206/319; 440/6, 55, 71-72,  
440/78; 416/247 A, 247 R  
See application file for complete search history.

**DESCRIPTION**

FIG. 1 is a right side view of a propeller shield apparatus for a trolling motor;  
FIG. 2 is a left side view of the propeller shield apparatus for a trolling motor;  
FIG. 3 is a rear view of the propeller shield apparatus for a trolling motor;  
FIG. 4 is a front view of the propeller shield apparatus for a trolling motor;  
FIG. 5 is a top view of the propeller shield apparatus for a trolling motor; and,  
FIG. 6 is a bottom view of the propeller shield apparatus for a trolling motor.

(56) **References Cited**

**U.S. PATENT DOCUMENTS**

3,889,624	A *	6/1975	Balius	.....	440/72
4,637,801	A *	1/1987	Schultz	.....	440/67
4,826,461	A *	5/1989	Newman	.....	440/71
5,066,254	A *	11/1991	Bass et al.	.....	440/72
D322,593	S *	12/1991	Kearney et al.	.....	D12/214
5,176,550	A *	1/1993	Hooper	.....	440/72
6,916,217	B1 *	7/2005	Crepeau	.....	440/71
D527,021	S *	8/2006	Osumi	.....	D15/4

**1 Claim, 5 Drawing Sheets**

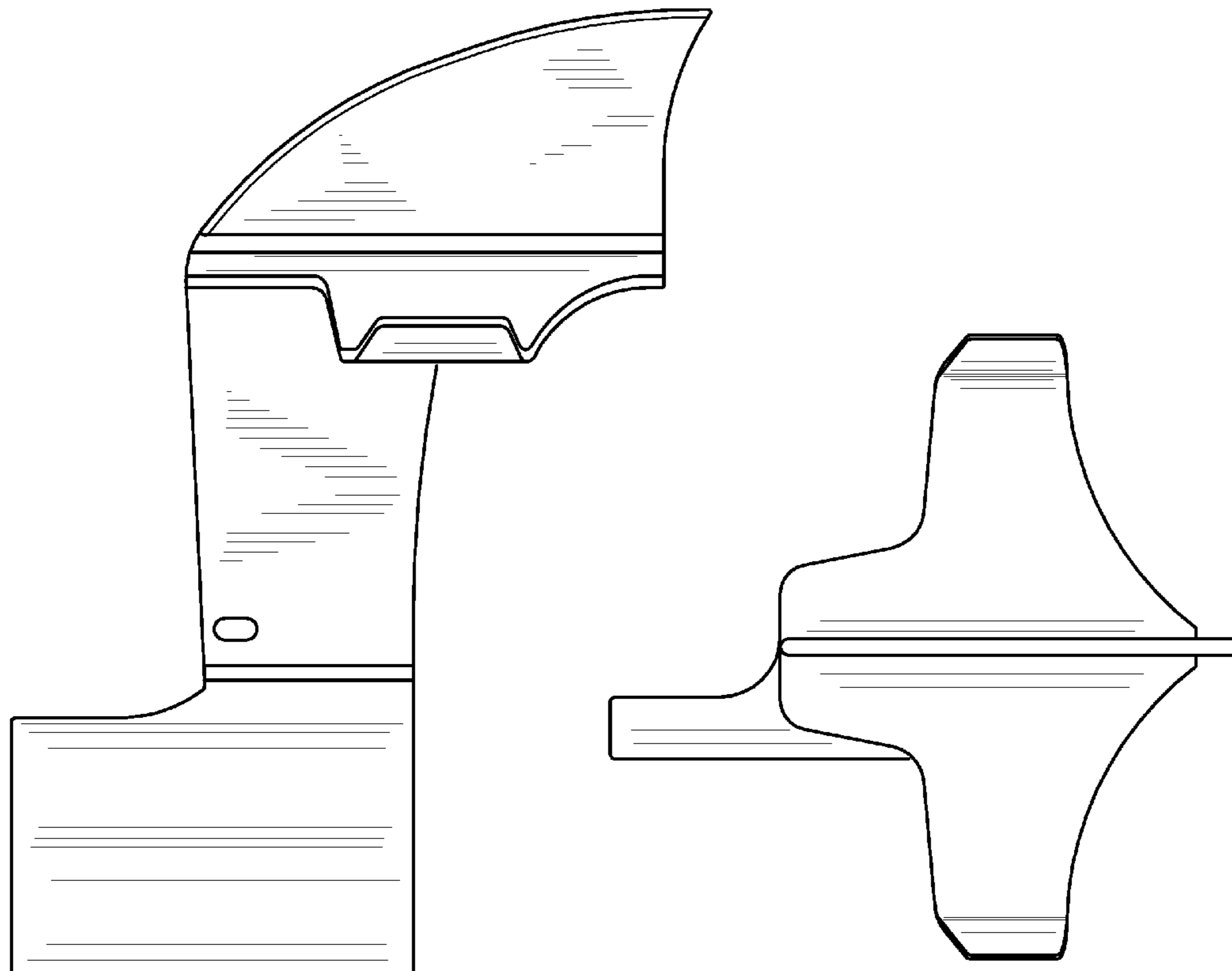


FIG. 1

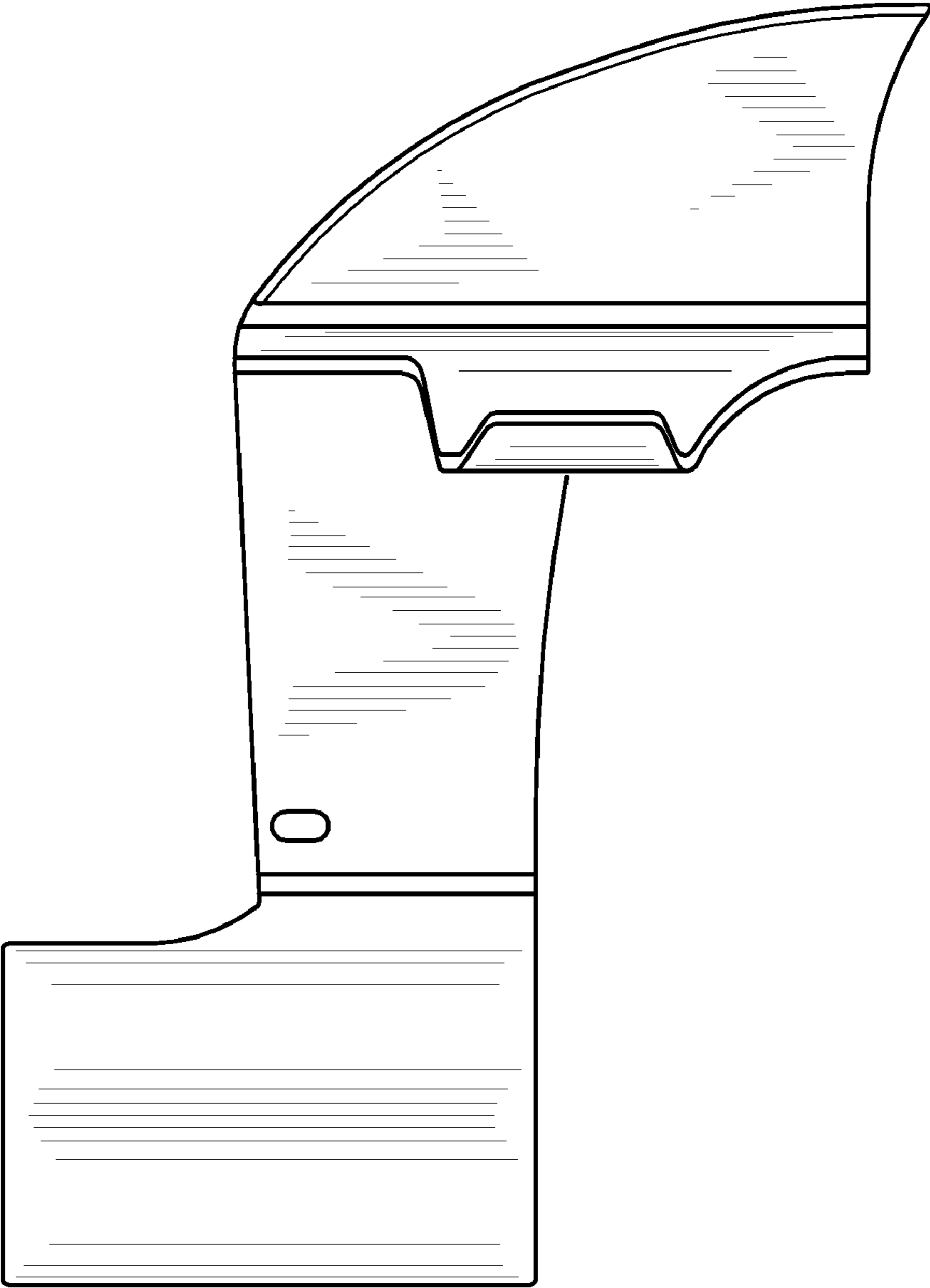


FIG. 2

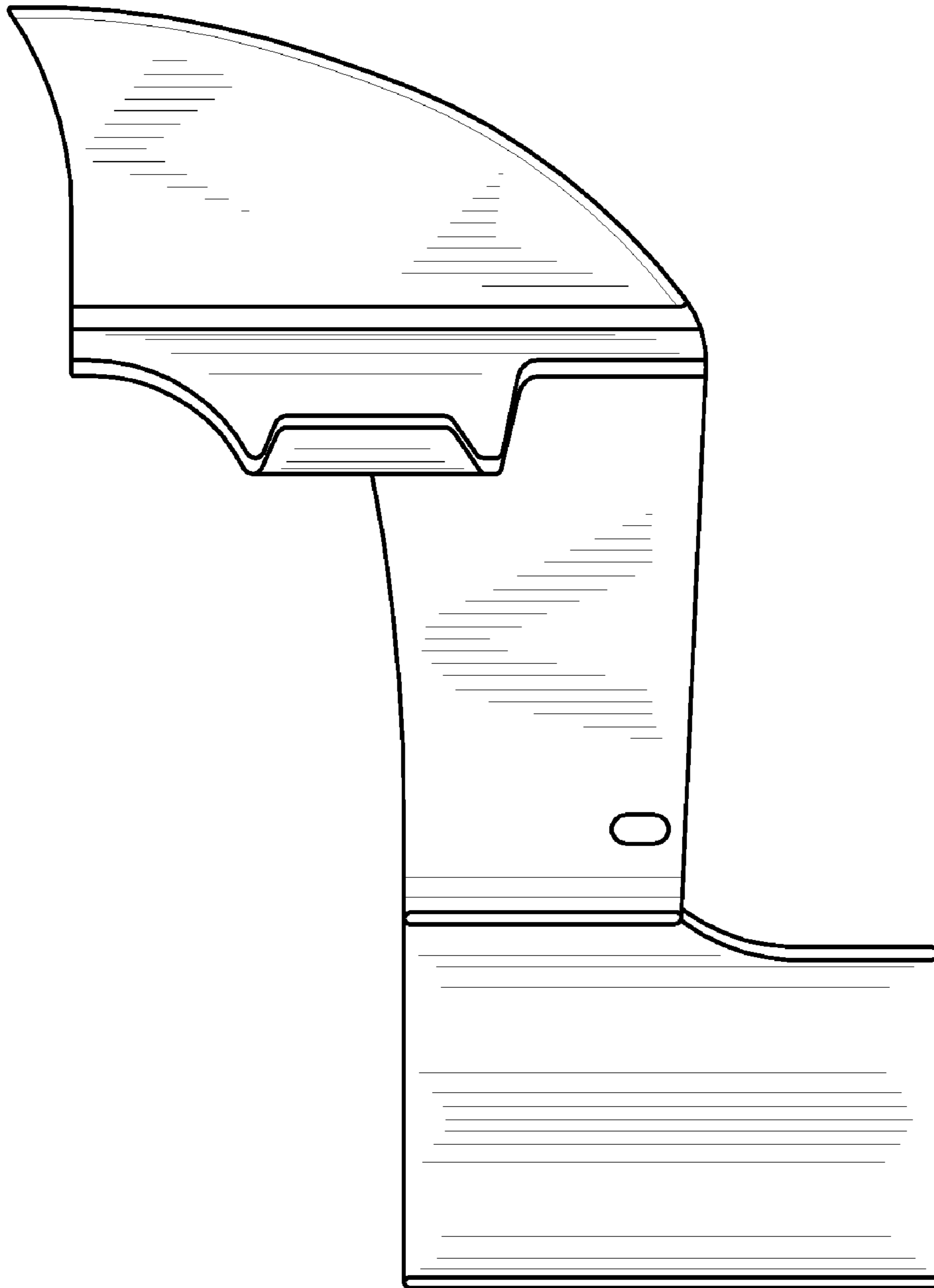


FIG. 3

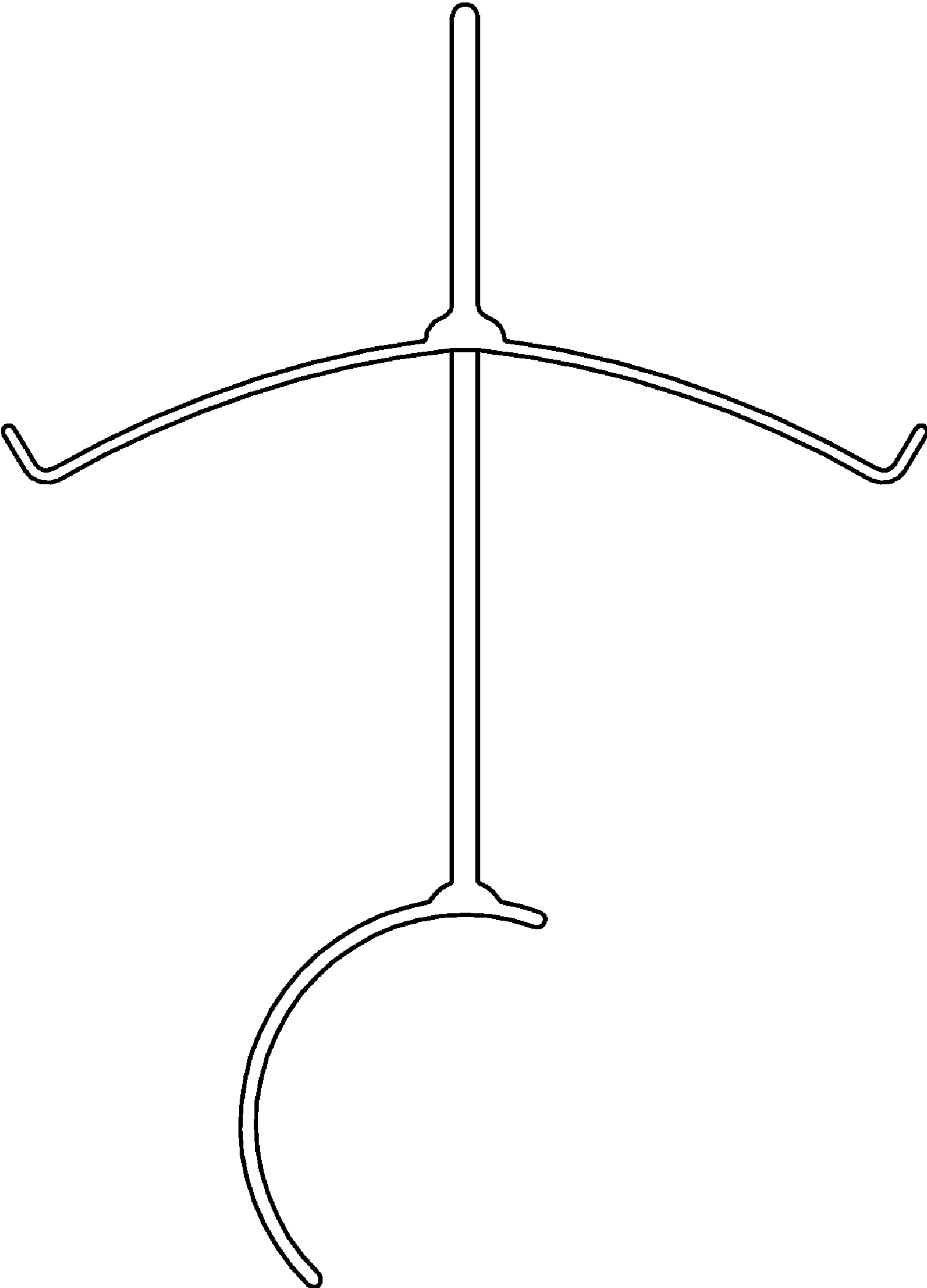


FIG. 4

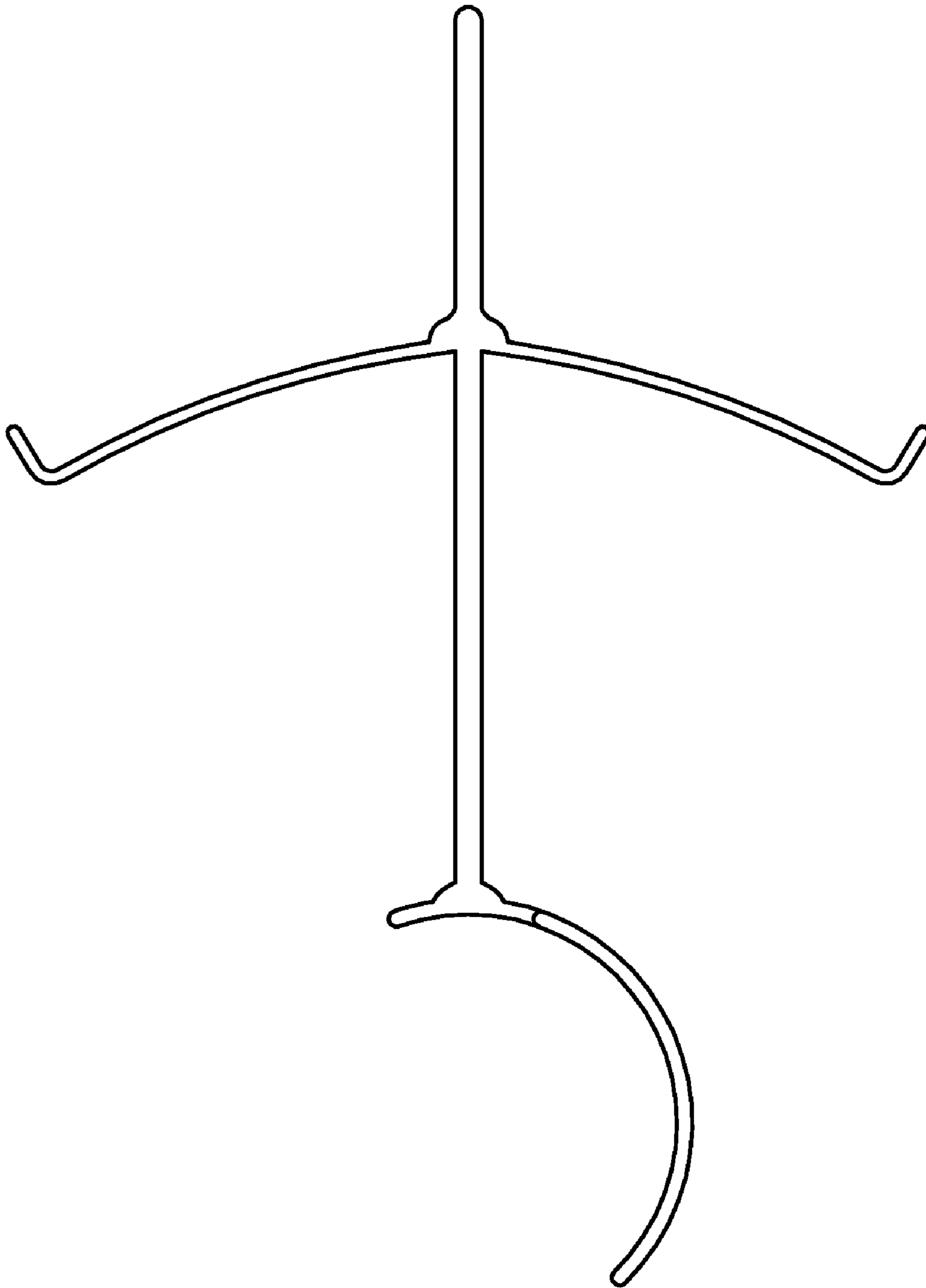


FIG. 5

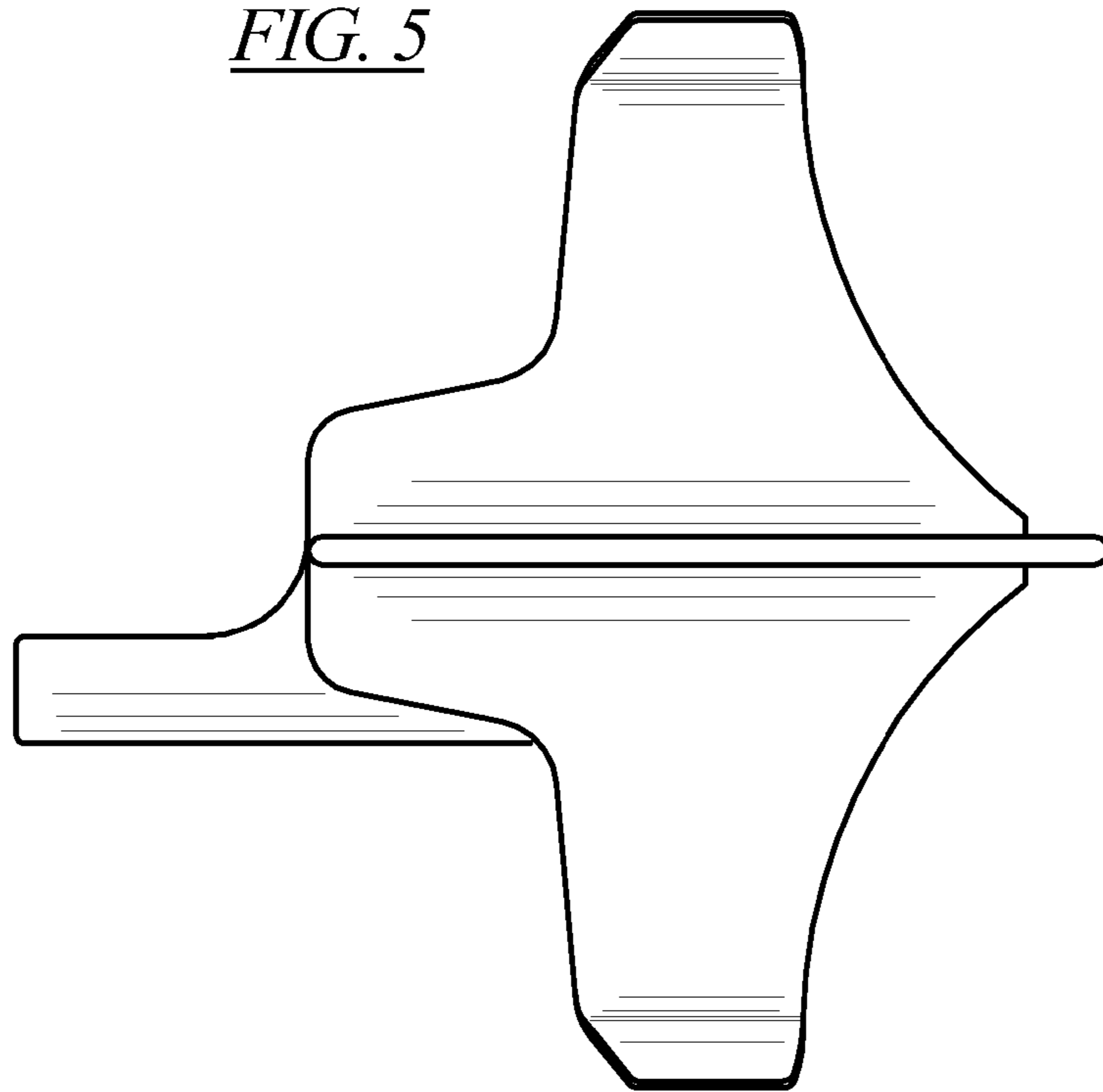


FIG. 6

