



US00D608365S

(12) **United States Design Patent**
Walsh et al.

(10) **Patent No.:** **US D608,365 S**
(45) **Date of Patent:** **** Jan. 19, 2010**

(54) **USER INTERFACE FOR A PORTION OF A DISPLAY SCREEN**

(75) Inventors: **Daniel Walsh**, San Francisco, CA (US);
Amy Poling, San Jose, CA (US)

(73) Assignee: **Adobe Systems Incorporated**, San Jose, CA (US)

(**) Term: **14 Years**

(21) Appl. No.: **29/318,435**

(22) Filed: **May 20, 2008**

(51) **LOC (9) Cl.** **32-00**

(52) **U.S. Cl.** **D14/485**

(58) **Field of Classification Search** D14/485-495;
D18/24-33; D19/6, 52; D20/11; D21/324-333;
715/700-867, 973-977; 345/757, 782, 848,
345/852, 850, 809, 837, 798, 752, 163, 156,
345/537, 474, 836, 419, 649, 656, 659, 426,
345/427, 582, 428, 440, 660, 634, 902, 418,
345/629, 700, 744, 747, 473; 705/10, 5;
709/223

See application file for complete search history.

(56) **References Cited**

U.S. PATENT DOCUMENTS

5,042,006 A	8/1991	Flohrer	
5,295,242 A	3/1994	Mashruwala et al.	
5,301,348 A	4/1994	Jaaskelainen	
D440,575 S	4/2001	Wang et al.	
D440,979 S	4/2001	Wang et al.	
6,231,508 B1 *	5/2001	Miller et al.	600/437
D478,090 S	8/2003	Nguyen et al.	
6,670,970 B1	12/2003	Bonura et al.	
7,068,288 B1 *	6/2006	Good et al.	345/619

(Continued)

OTHER PUBLICATIONS

“Signals. This is Signal vs. Noise, a weblog by 37 signals about design, business, experience simplicity, the web, culture, and more.”

Cover Flow and the scrolling horizontal subnav at the new Apple.com—(37 signals), [Online] Retrieved from the internet: May 15, 2008 <URL:http://www.37signals.com/svn/posts/464-cover-flow-and-the-scrolling-horizontal-subnav-a...>,18 pages.

(Continued)

Primary Examiner—Susan Moon Lee

(74) *Attorney, Agent, or Firm*—Schwegman Lundberg & Woessner, P.A.

(57) **CLAIM**

The ornamental design for a user interface for a portion of a display screen, as shown and described.

DESCRIPTION

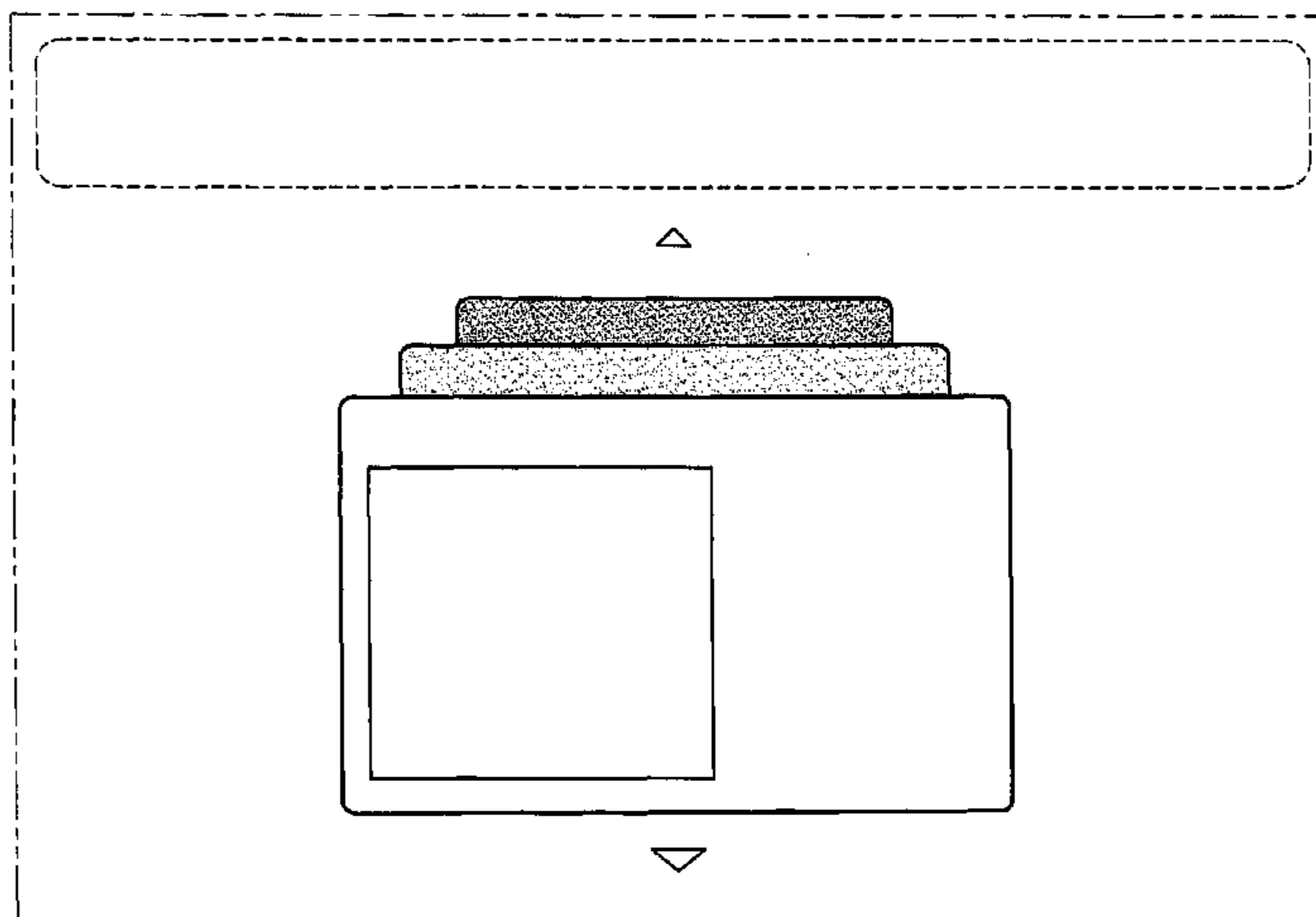
A portion of the disclosure of this patent document contains material that is subject to copyright protection. The copyright owner has no objection to the facsimile reproduction by anyone of the patent document or the patent disclosure, as it appears in the Patent and Trademark Office patent files or records, but otherwise reserves all copyright rights whatsoever. The following notice applies to the software and data as described below and in the drawings that form a part of this document: Copyright 2008 Adobe Systems Incorporated. All Rights Reserved.

FIG. 1 is a front view of a user interface for a portion of a display screen, according to a first example embodiment of our new design; and,

FIG. 2 is a front view of a user interface for a portion of a display screen, according to a second example embodiment of our new design.

The broken line drawing of a portion of a display screen is environmental and is not claimed. All other broken line matter is not claimed.

1 Claim, 2 Drawing Sheets



U.S. PATENT DOCUMENTS

7,223,173	B2 *	5/2007	Masuyama et al.	463/36
2002/0033848	A1 *	3/2002	Sciammarella et al.	345/838
2002/0054141	A1	5/2002	Yen et al.	
2002/0133488	A1 *	9/2002	Bellis et al.	707/6
2002/0175949	A1	11/2002	Kaushikkar et al.	
2002/0196283	A1	12/2002	Petruk et al.	
2003/0142131	A1	7/2003	Dawe	
2004/0218215	A1	11/2004	Sickel et al.	
2007/0186186	A1 *	8/2007	Both et al.	715/821
2007/0192712	A1 *	8/2007	Lee et al.	715/764
2007/0240079	A1	10/2007	Flynt et al.	
2008/0034381	A1	2/2008	Jalon et al.	

OTHER PUBLICATIONS

“CreativSpace image search—finally a cool image search”, [Online] Retrieved from the internet: May 15, 2008 <URL:http://creativspace.at/>, 1 page.
 “Dynamic PageFlip 3.4”, [Online] Retrieved from the internet: Apr. 15, 2008 <URL:http://www.pageflip.hu/>, (Apr. 15, 2008), 2 pages.
 “Great cover version”, *Apple—iTunes— iTunes Jukebox—Cover Flow*, [Online] Retrieved from internet: May 19, 2008 <URL:http://www.apple.com/itunes/jukebox/coverflow.html>, 1 page.

“POD Tech Combine PDF’s”, *Adobe Acrobat 8 Packages: Combine PDFs | PodTech.net*, [Online] Retrieved from the internet: Apr. 15, 2008 <URL:http://www.podtech.net/home/1761/adobe-acrobat-8-packages-combine-pdfs>, (Apr. 15, 2008), 2 pages.
 Del Strother, Jonathan, et al., “Cover Flow”, *From Wikipedia, the free encyclopedia (Redirected from Cover flow)*, [Online] Retrieved from the internet: May 15, 2008 <URL:http://en.wikipedia.org/wiki/Cover_flow>, (Sep. 11, 2006), 2 pages.
 Graham, Jamey, et al., “iCandy: a Tangible User Interface for iTunes”, *Copyright is held by the author/owner(s). CHI 2008*, Apr. 5, 2008, *Florence, Italy*, ACM 978-1-60558-012-Aug. 8, 2004., (Apr. 5, 2008), 6 pages.
 “U.S. Appl. No. 29/318,425, Notice of Allowance mailed Aug. 20, 2009”, 5 pgs.
 “U.S. Appl. No. 29/318,425, Response filed Jul. 8, 2009 to Restriction Requirement mailed Jun. 18, 2009”, 7 pgs.
 “U.S. Appl. No. 29/318,425, Restriction Requirement mailed Jun. 18 2009”, 4 pgs.
 “U.S. Appl. No. 29/318,428, Notice of Allowance mailed Jul. 1, 2009”, 6 pgs.
 “U.S. Appl. No. 29/318,431, Notice of Allowance mailed Jun. 29, 2009”, 5 pgs.

* cited by examiner

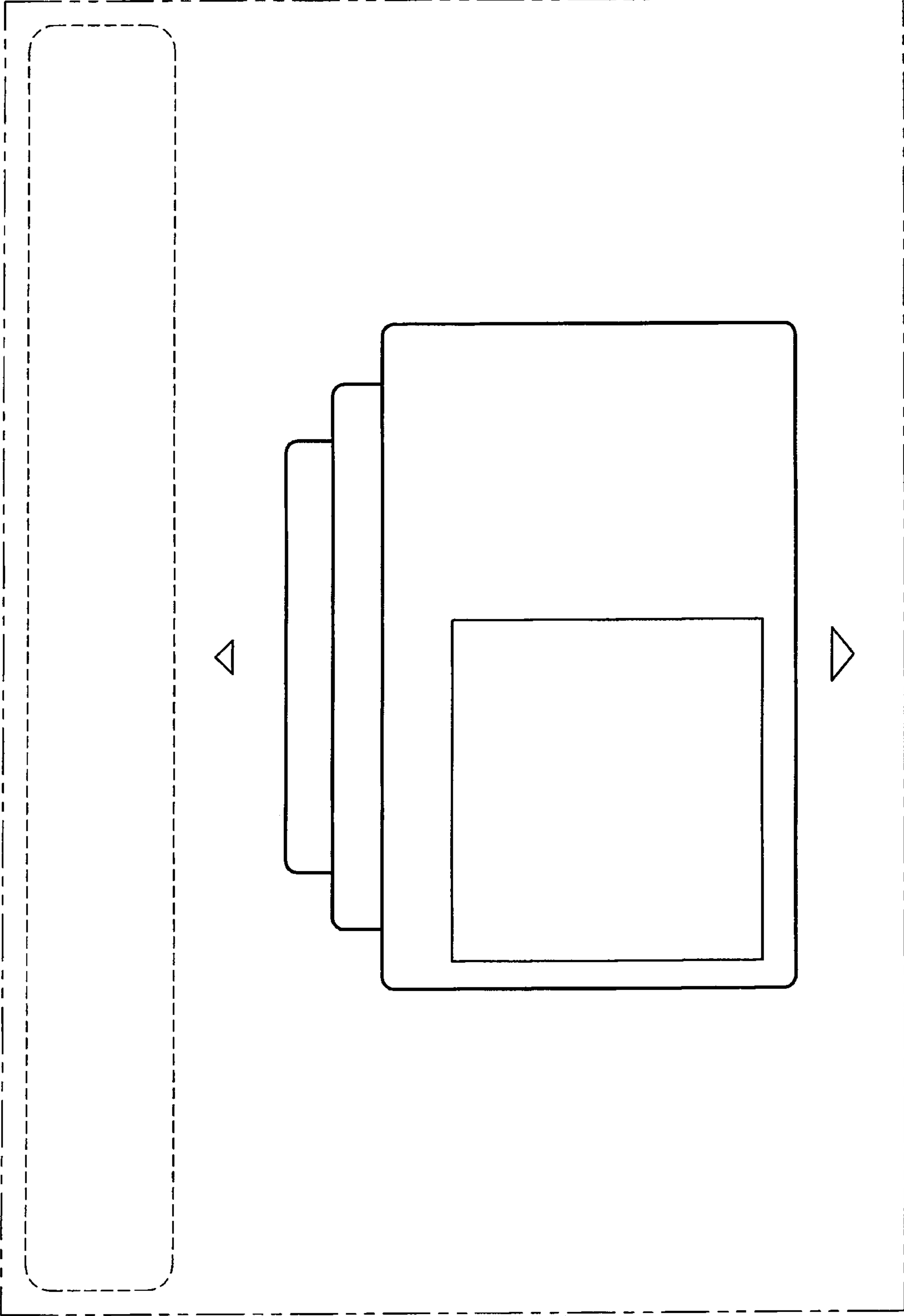


FIG. 1

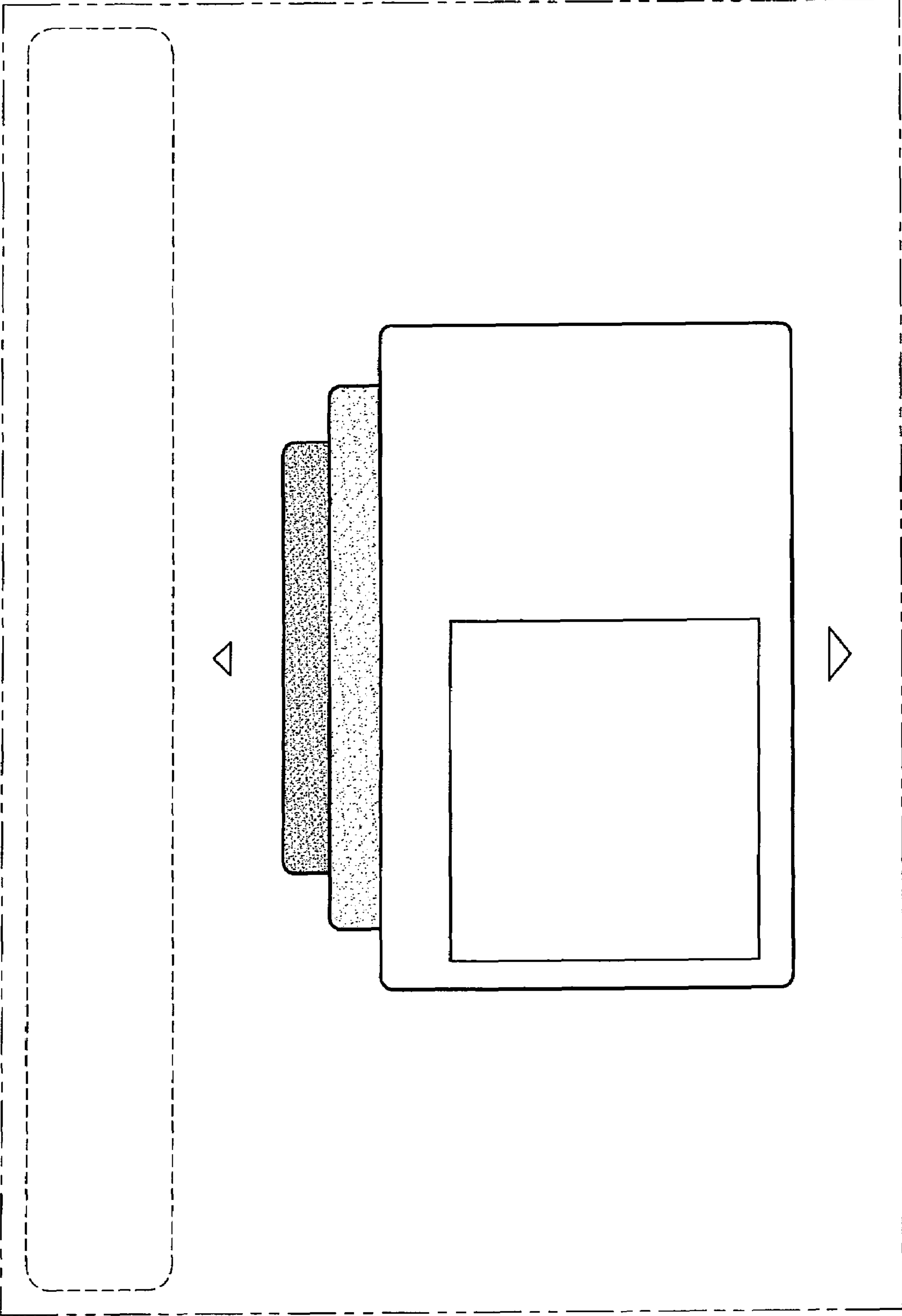


FIG. 2