



US00D608362S

(12) **United States Design Patent**  
**Barron et al.**

(10) **Patent No.:** **US D608,362 S**  
(45) **Date of Patent:** **\*\* Jan. 19, 2010**

(54) **BARCODE SCANNER WEIGH PLATE**

(75) Inventors: **Peter B. Barron**, Tucker, GA (US);  
**David L. Gregerson**, Lawrenceville, GA (US)

(73) Assignee: **NCR Corporation**, Dayton, OH (US)

(\*\*) Term: **14 Years**

(21) Appl. No.: **29/318,562**

(22) Filed: **May 22, 2008**

(51) **LOC (9) Cl.** ..... **14-02**

(52) **U.S. Cl.** ..... **D14/424; D14/432**

(58) **Field of Classification Search** ..... D14/420-424,  
D14/432, 463, 464, 383-385, 144; D18/49,  
D18/50, 54, 55, 4.4; 235/462.14, 462.15,  
235/472.02, 383, 385; 250/556; 355/64,  
355/65, 75, 81; 358/473, 498, 1.6; 382/127,  
382/312

See application file for complete search history.

(56) **References Cited**

**U.S. PATENT DOCUMENTS**

4,724,306	A *	2/1988	Kitaoka et al.	.....	235/385
4,836,309	A *	6/1989	Sekioka	.....	177/25.15
D351,152	S *	10/1994	Liu	.....	D14/385
D362,664	S *	9/1995	Widmann et al.	.....	D14/451
D375,735	S *	11/1996	Tochishita	.....	D14/144
D377,342	S *	1/1997	Lin	.....	D14/424
5,608,193	A *	3/1997	Almogaibil	.....	177/25.13
D385,903	S *	11/1997	Kim	.....	D18/4.4

5,786,905	A *	7/1998	Kaji et al.	.....	358/498
D417,443	S *	12/1999	Geiszler	.....	D14/432
D426,238	S *	6/2000	Liu	.....	D14/385
D442,596	S *	5/2001	Lin et al.	.....	D14/421
6,595,421	B2 *	7/2003	Detwiler	.....	235/462.14
6,628,433	B1 *	9/2003	Westcott et al.	.....	358/474
D480,725	S *	10/2003	Funato	.....	D14/383
6,707,584	B1 *	3/2004	Morita	.....	358/498
6,982,388	B2 *	1/2006	Kasinoff	.....	177/2
D522,510	S *	6/2006	Su	.....	D14/384
D525,975	S *	8/2006	Khovaylo	.....	D14/420
2004/0003947	A1 *	1/2004	Kesselman et al.	.....	177/25.13
2004/0211600	A1 *	10/2004	Schuller et al.	.....	177/25.15
2005/0092834	A1 *	5/2005	Latimer et al.	.....	235/383

\* cited by examiner

*Primary Examiner*—Freda S Nunn

(74) *Attorney, Agent, or Firm*—Paul W. Martin

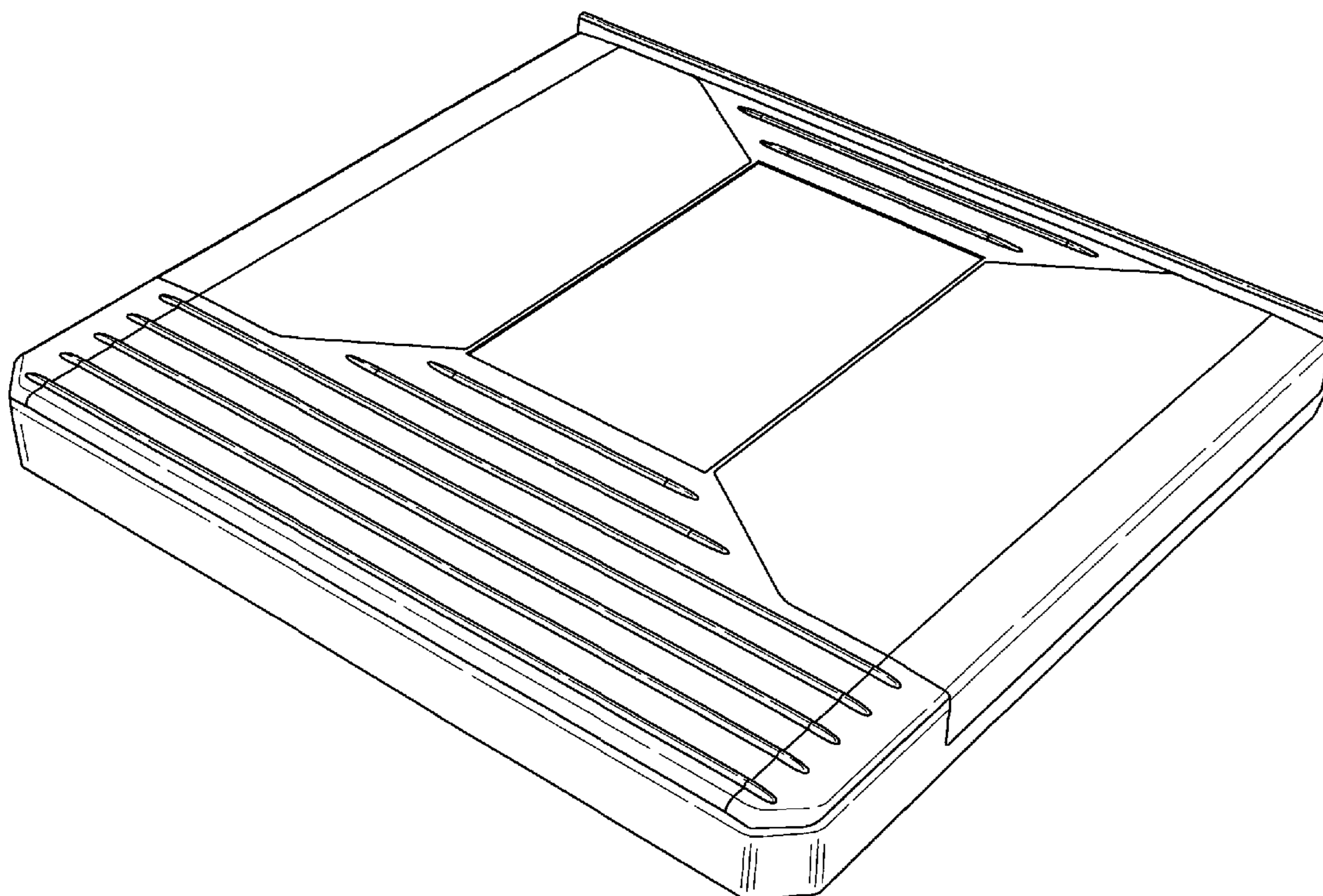
(57) **CLAIM**

The ornamental design for a barcode scanner weigh plate, as shown and described.

**DESCRIPTION**

FIG. 1 is a front view;  
FIG. 2 is a rear view;  
FIG. 3 is a right side view;  
FIG. 4 is a left side view;  
FIG. 5 is a top view; and,  
FIG. 6 is a perspective view.

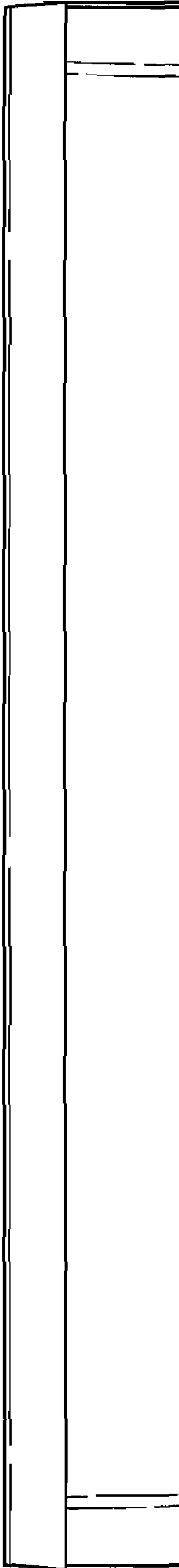
**1 Claim, 4 Drawing Sheets**



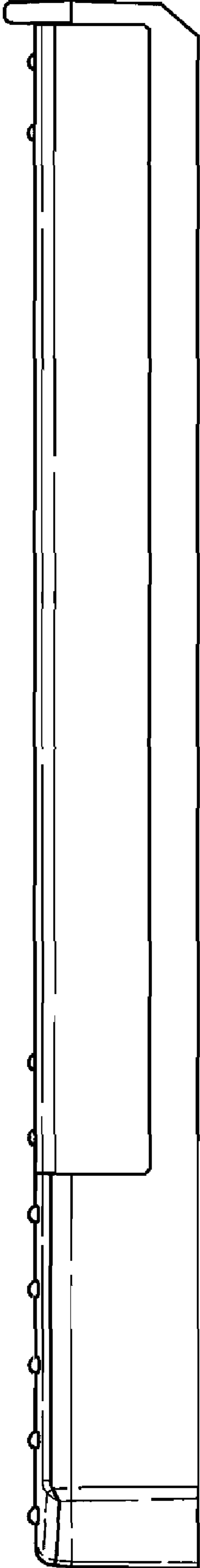
**FIG. 1**



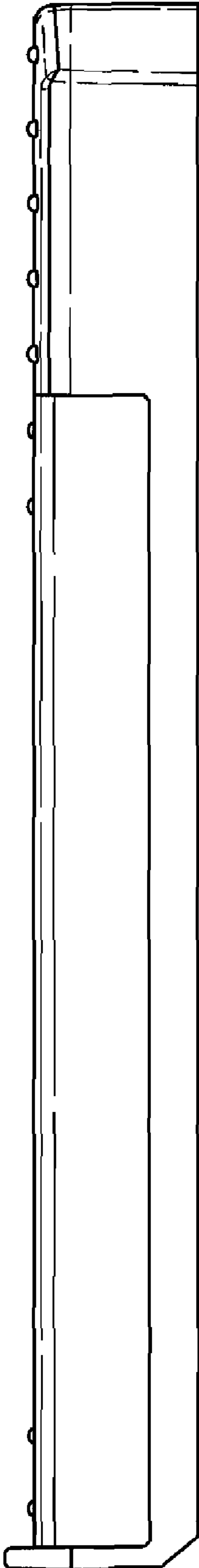
**FIG. 2**



**FIG. 3**



**FIG. 4**



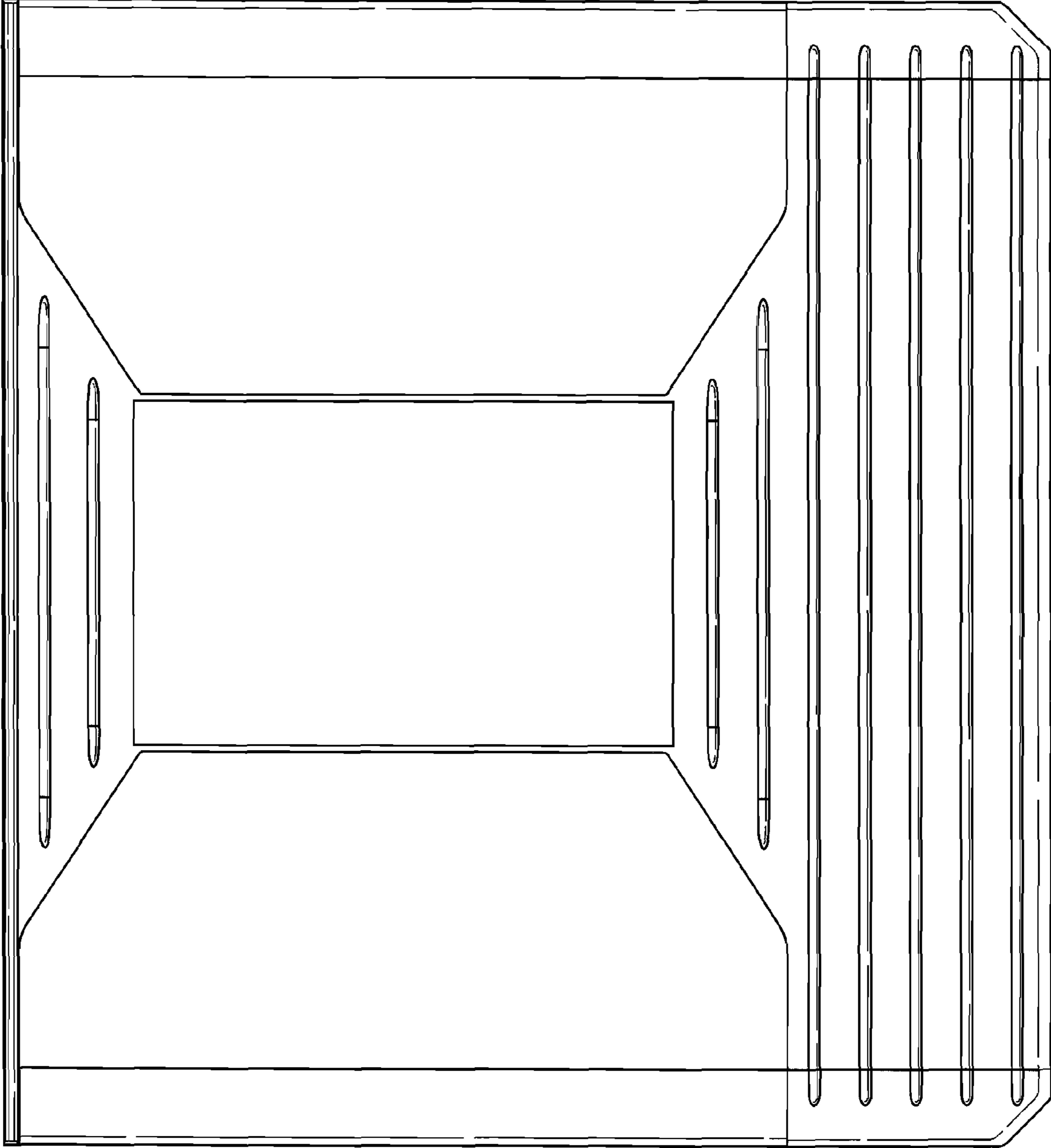
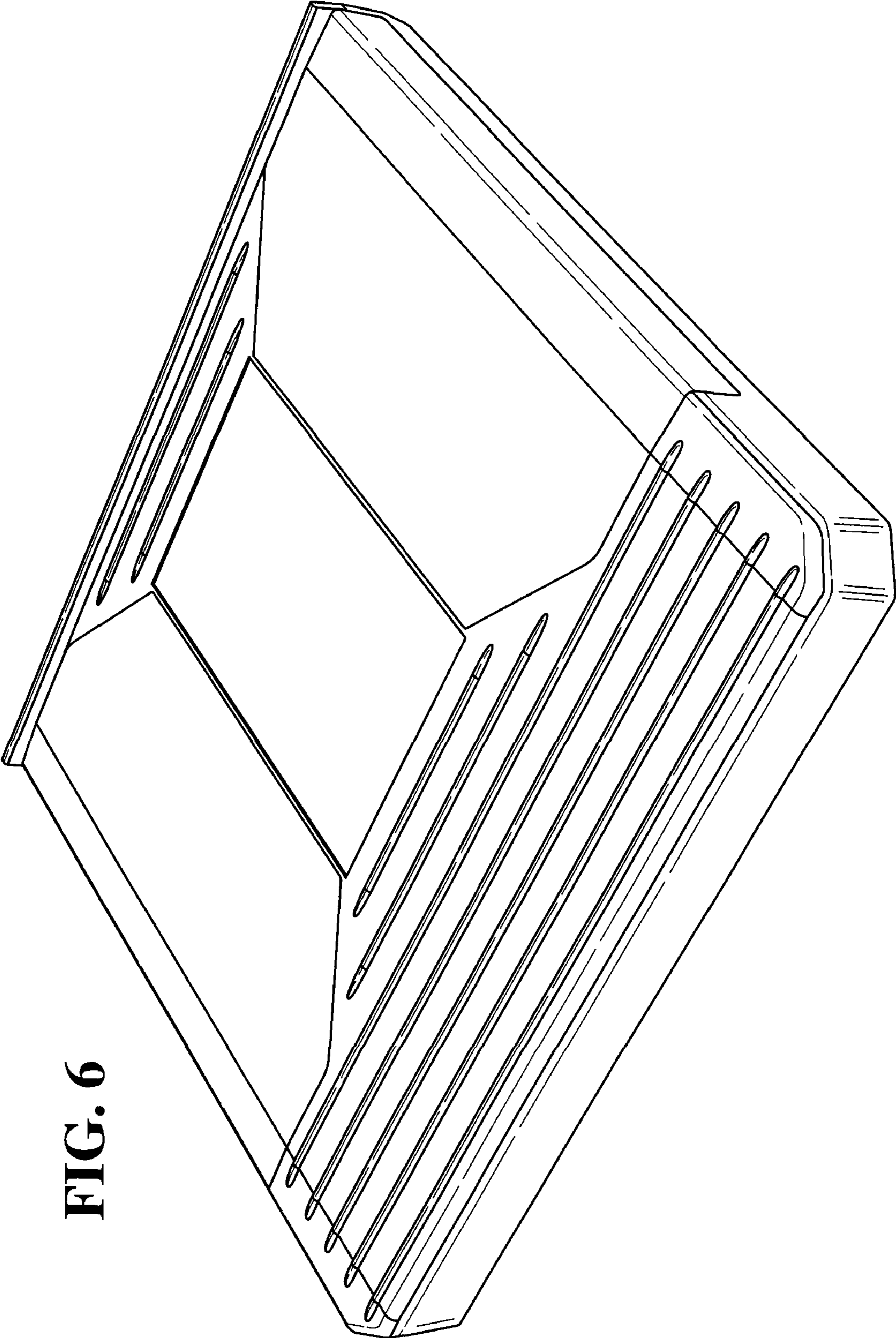


FIG. 5



**FIG. 6**