



US00D608361S

(12) **United States Design Patent**
Meyer et al.

(10) **Patent No.:** **US D608,361 S**
(45) **Date of Patent:** **** Jan. 19, 2010**

(54) **KEYBOARD WITH REMOVABLE FACE PLATE**

(75) Inventors: **Steven H. Meyer**, Austin, TX (US);
Jered W. Bailey, Round Rock, TX (US);
Kenneth A. Fuselier, Austin, TX (US)

(73) Assignee: **iKey, Ltd.**, Austin, TX (US)

(**) Term: **14 Years**

(21) Appl. No.: **29/333,623**

(22) Filed: **Mar. 12, 2009**

(51) **LOC (9) Cl.** **14-02**

(52) **U.S. Cl.** **D14/391**

(58) **Field of Classification Search** D14/391-399,
D14/385; D18/1, 2, 7, 11; 178/17 A, 17 C;
200/5 A, 5 R, 6 A, 6 R; 235/145 A, 145 R;
341/22, 23, 35; 345/160, 168; 400/484-486,
400/488, 489, 492; D24/158; 708/144
See application file for complete search history.

(56) **References Cited**

U.S. PATENT DOCUMENTS

D462,354 S *	9/2002	Kimbre et al.	D14/392
D480,726 S *	10/2003	Yokota	D14/396
D533,172 S *	12/2006	Lee et al.	D14/240
D543,700 S *	6/2007	Parker et al.	D3/294
D567,240 S *	4/2008	Griffin	D14/392
D574,826 S *	8/2008	Meyer et al.	D14/396

* cited by examiner

Primary Examiner—Freda S Nunn

(74) *Attorney, Agent, or Firm*—Meyertons, Hood, Kivlin,
Kowert & Goetzel, P.C.; Eric B. Meyertons

(57) **CLAIM**

The ornamental design for the keyboard with removable face plate, as shown and described.

DESCRIPTION

FIG. 1 is a top-front-right perspective view of a keyboard including a keyboard assembly and a removable face plate.

FIG. 2 is a bottom-back-left perspective view of the keyboard.

FIG. 3 is a top-front-right perspective view of the keyboard with removable face plate in which the elements are separated for clarity of illustration.

FIG. 4 is a top view of the keyboard with removable face plate.

FIG. 5 is a front view of the keyboard with removable face plate.

FIG. 6 is a back view of the keyboard with removable face plate.

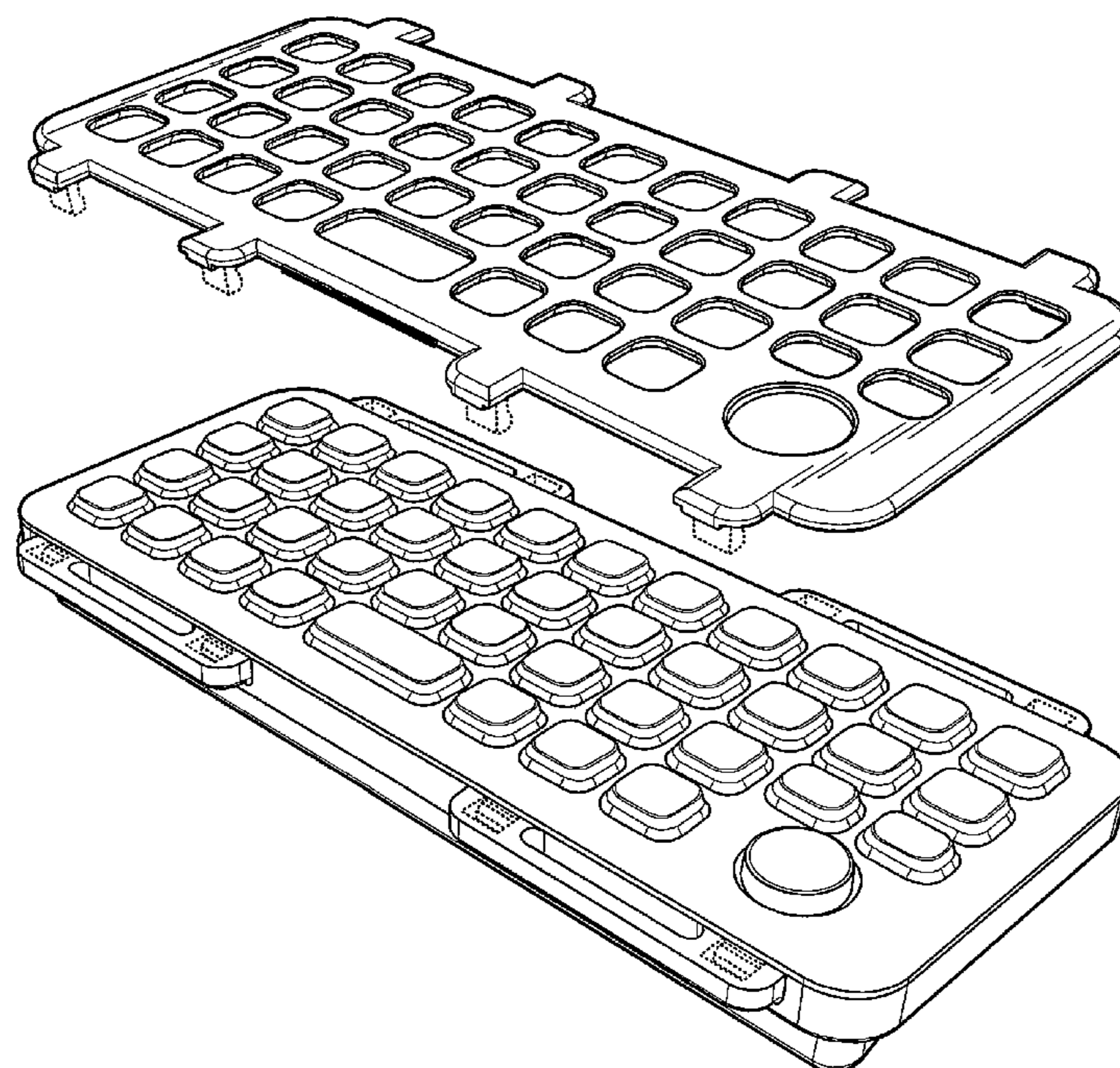
FIG. 7 is a bottom view of the keyboard with removable face plate.

FIG. 8 is a right view of the keyboard with removable face plate; and,

FIG. 9 is a left view of the keyboard with removable face plate.

Broken lines shown in the drawings illustrate portions of the keyboard, and form no part of the claimed design.

1 Claim, 5 Drawing Sheets



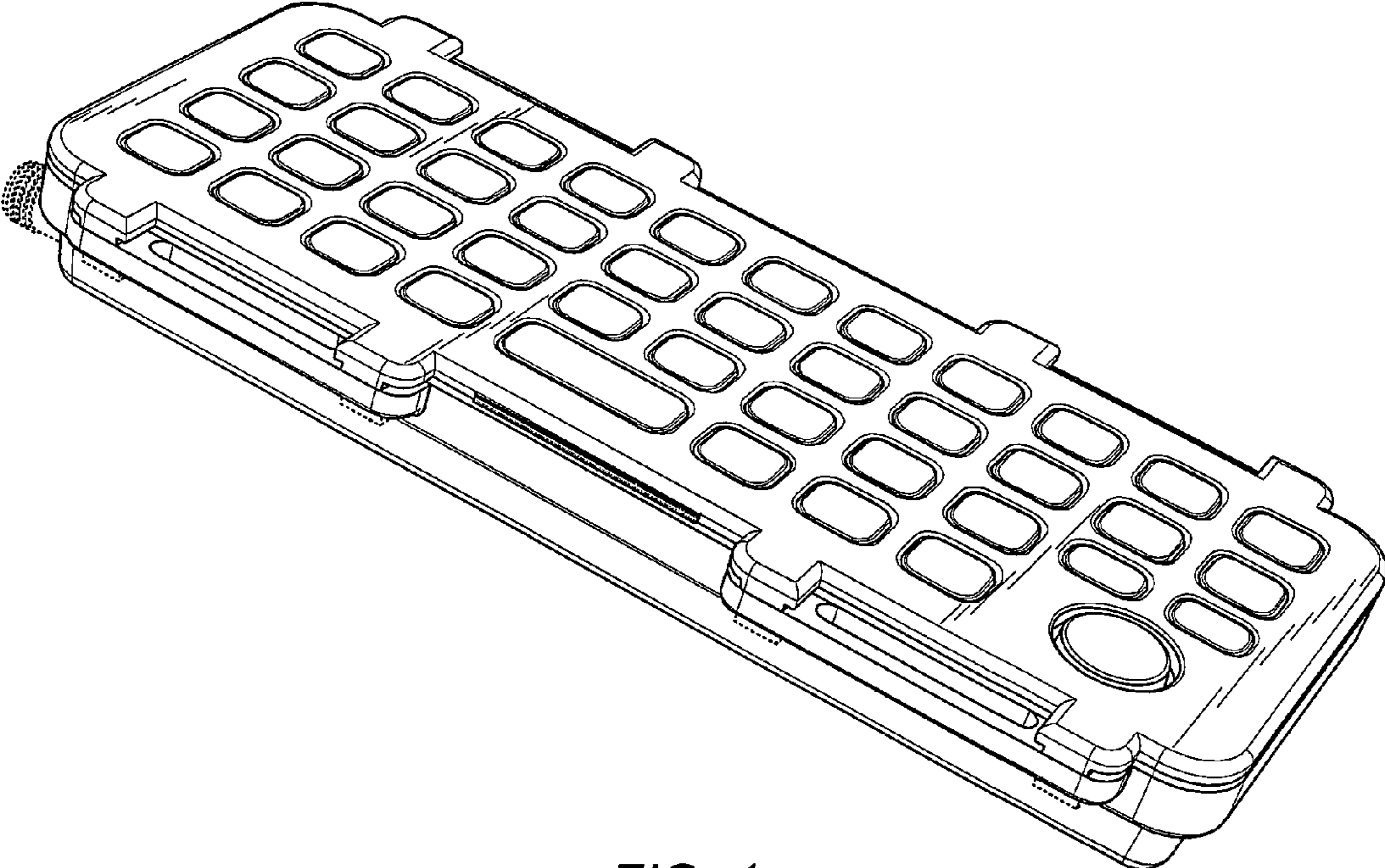


FIG. 1

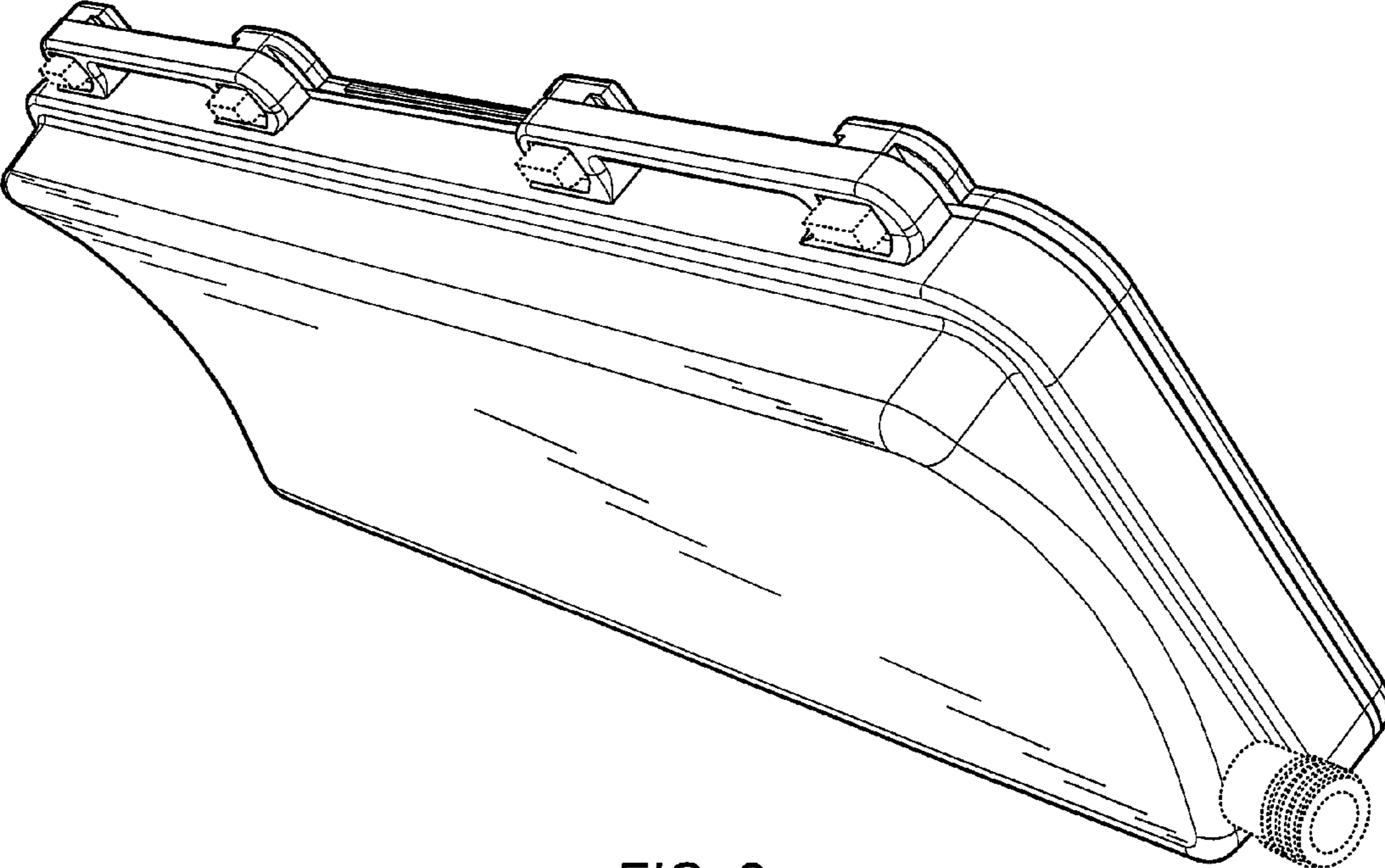
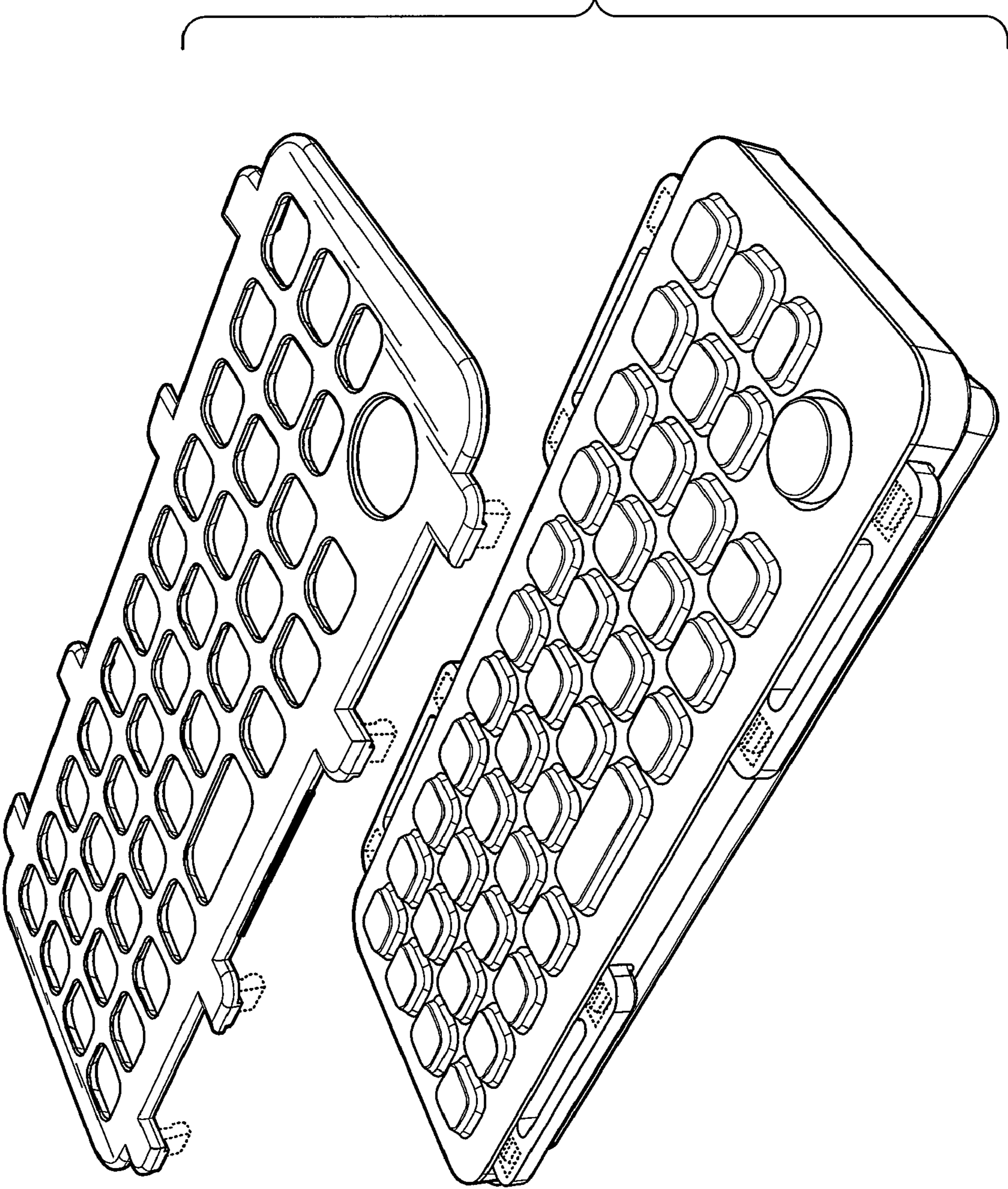


FIG. 2

FIG. 3



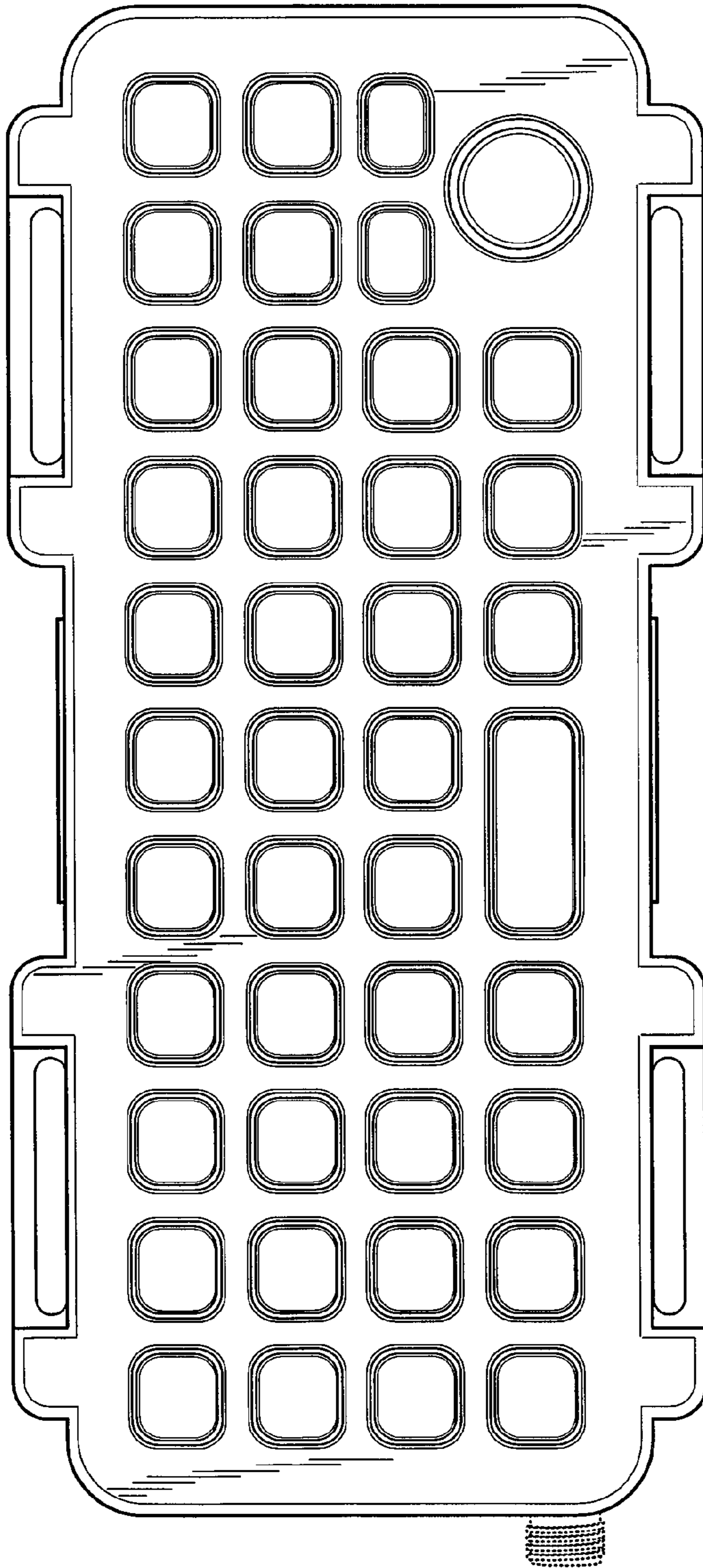


FIG. 4

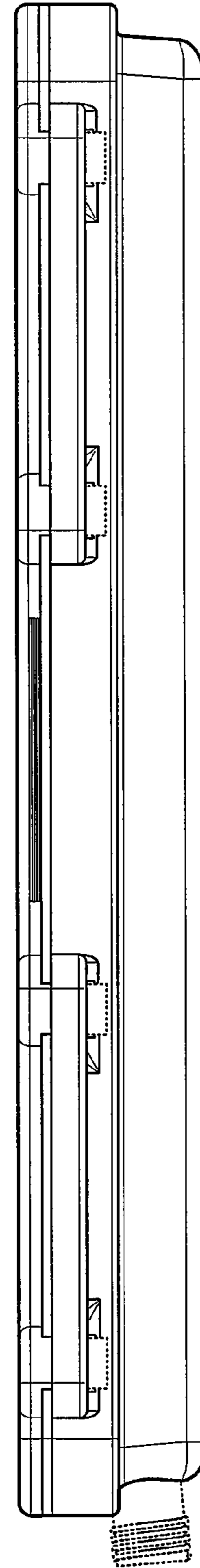


FIG. 5

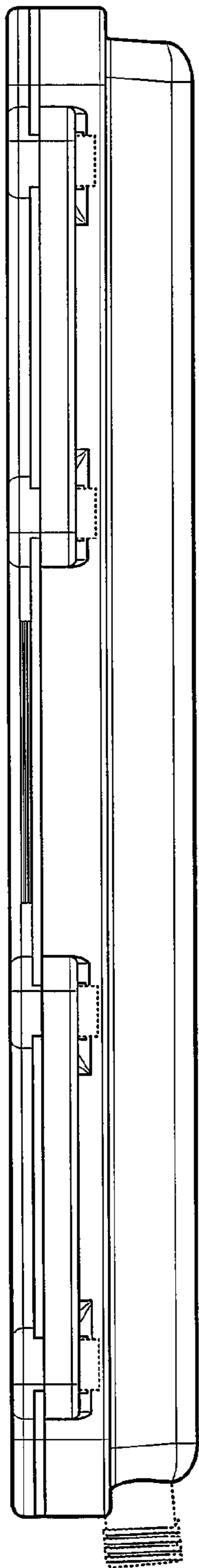


FIG. 6

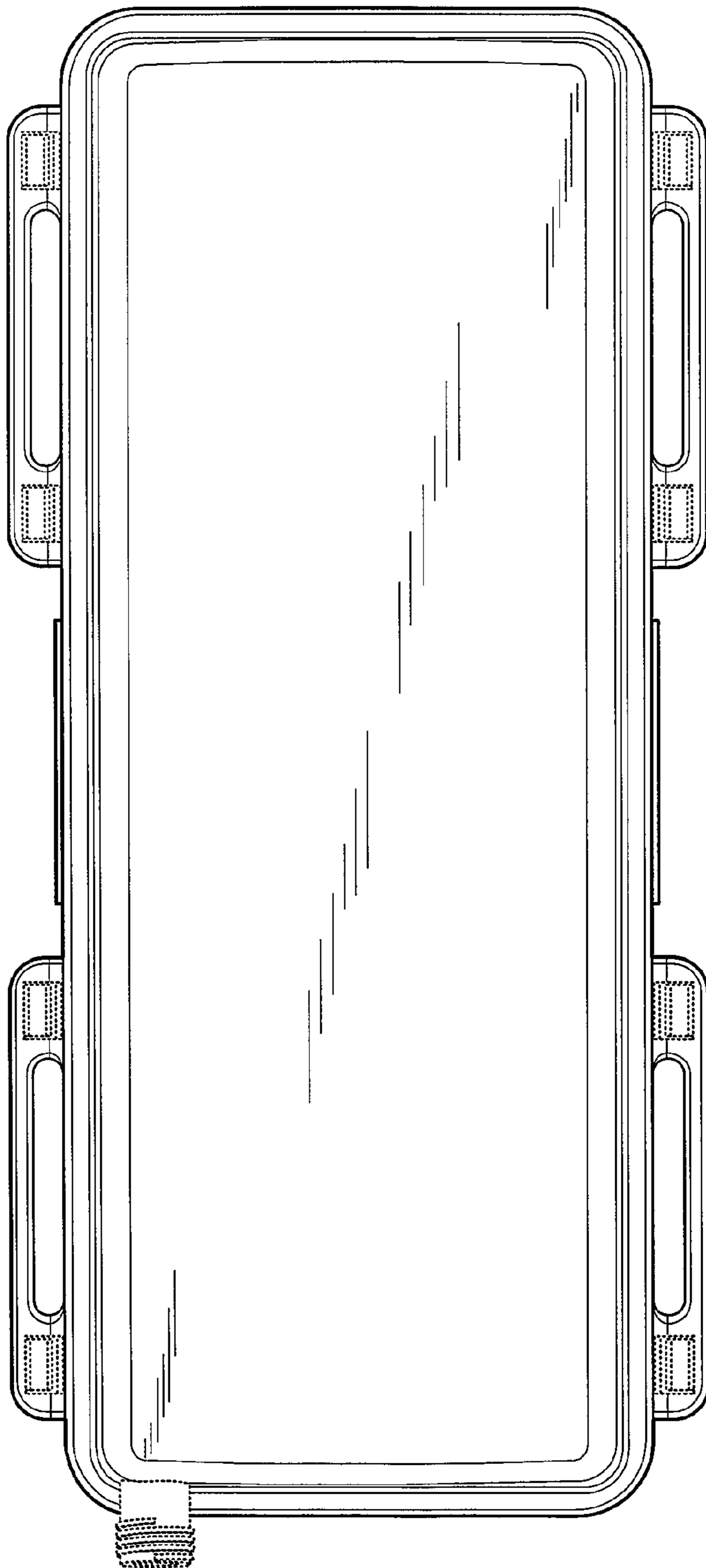


FIG. 7

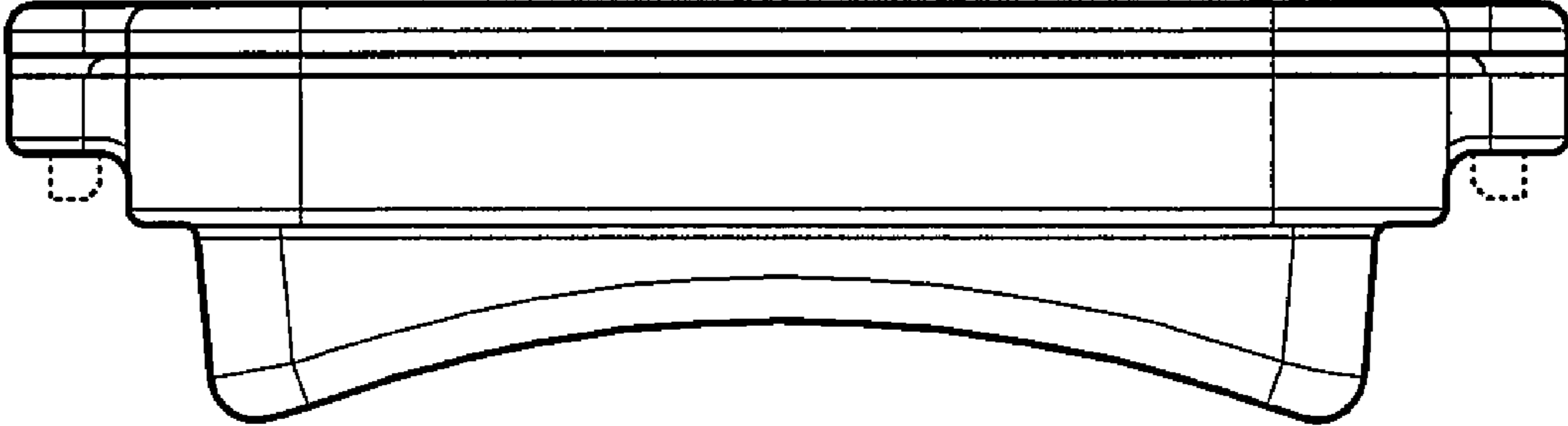


FIG. 8

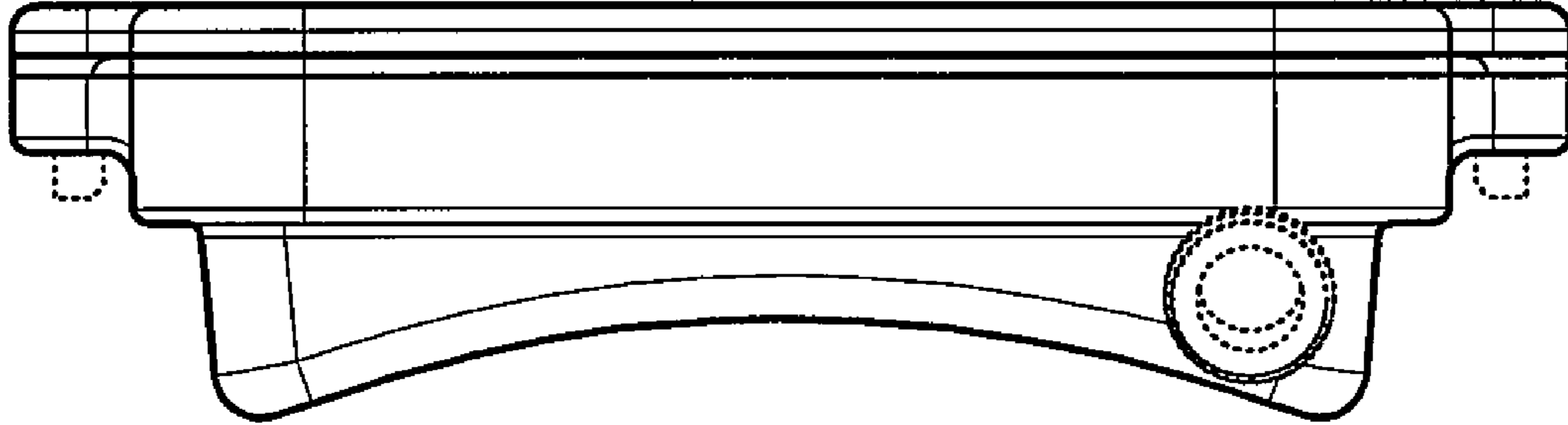


FIG. 9