

US00D608360S

(12) **United States Design Patent**
Chu

(10) **Patent No.:** **US D608,360 S**
(45) **Date of Patent:** **** Jan. 19, 2010**

(54) **DISPLAY**
(75) Inventor: **Chih-Ming Chu**, Taipei (TW)
(73) Assignee: **Hannspree, Inc.**, Taipei (TW)
(**) Term: **14 Years**
(21) Appl. No.: **29/338,465**
(22) Filed: **Jun. 11, 2009**

D515,569 S * 2/2006 Hoehn D14/371
D515,570 S * 2/2006 Hoehn D14/371
D515,571 S * 2/2006 Hsieh D14/371
D515,572 S * 2/2006 Hsieh D14/371
D515,573 S * 2/2006 Liaw D14/371
D516,067 S * 2/2006 Hsieh D14/371
D518,045 S * 3/2006 Tsao D14/371
D521,957 S * 5/2006 Hoehn et al. D14/126
D531,594 S * 11/2006 Hoehn et al. D14/126
D546,789 S * 7/2007 Lee D14/126

(51) **LOC (9) Cl.** **14-02**
(52) **U.S. Cl.** **D14/371**
(58) **Field of Classification Search** D14/371-376,
D14/125-129; 341/12; 345/104, 156, 168,
345/173, 901-905; 248/917-924; 348/180,
348/184, 325, 739; 349/1, 2, 11, 62; 40/594;
312/204; D21/515

* cited by examiner
Primary Examiner—Freda S Nunn
(74) *Attorney, Agent, or Firm*—Schmeiser, Olsen & Watts
LLP

See application file for complete search history.

(57) **CLAIM**

The ornamental design for a display, as shown and described.

(56) **References Cited**

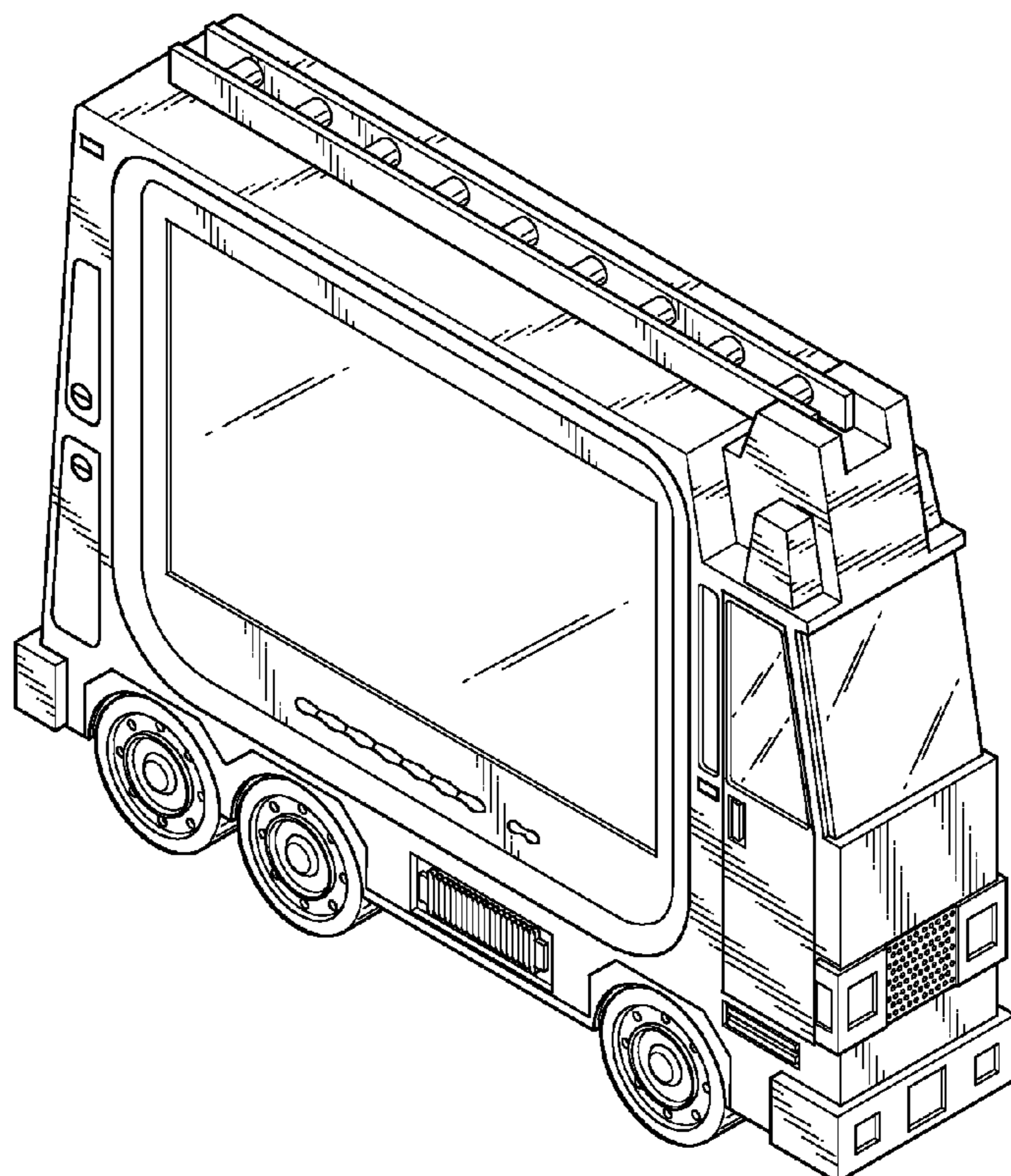
DESCRIPTION

U.S. PATENT DOCUMENTS

5,072,998 A * 12/1991 Oh 312/204
5,564,209 A * 10/1996 Zagnoli 40/594
D434,085 S * 11/2000 Singer D21/325
D456,049 S * 4/2002 Hood D21/515
D471,600 S * 3/2003 Choi D21/515
D473,865 S * 4/2003 Zuege et al. D14/371
D476,653 S * 7/2003 Chu et al. D14/371
D515,566 S * 2/2006 Hwang D14/371
D515,567 S * 2/2006 Tsao D14/371
D515,568 S * 2/2006 Hoehn D14/371

FIG. 1 is a front perspective view of display showing the new design;
FIG. 2 is a front elevational view thereof;
FIG. 3 is a rear elevational view thereof;
FIG. 4 is a left side elevational view thereof;
FIG. 5 is a right side elevational view thereof;
FIG. 6 is a top plan view thereof; and,
FIG. 7 is a bottom plan view thereof.

1 Claim, 4 Drawing Sheets



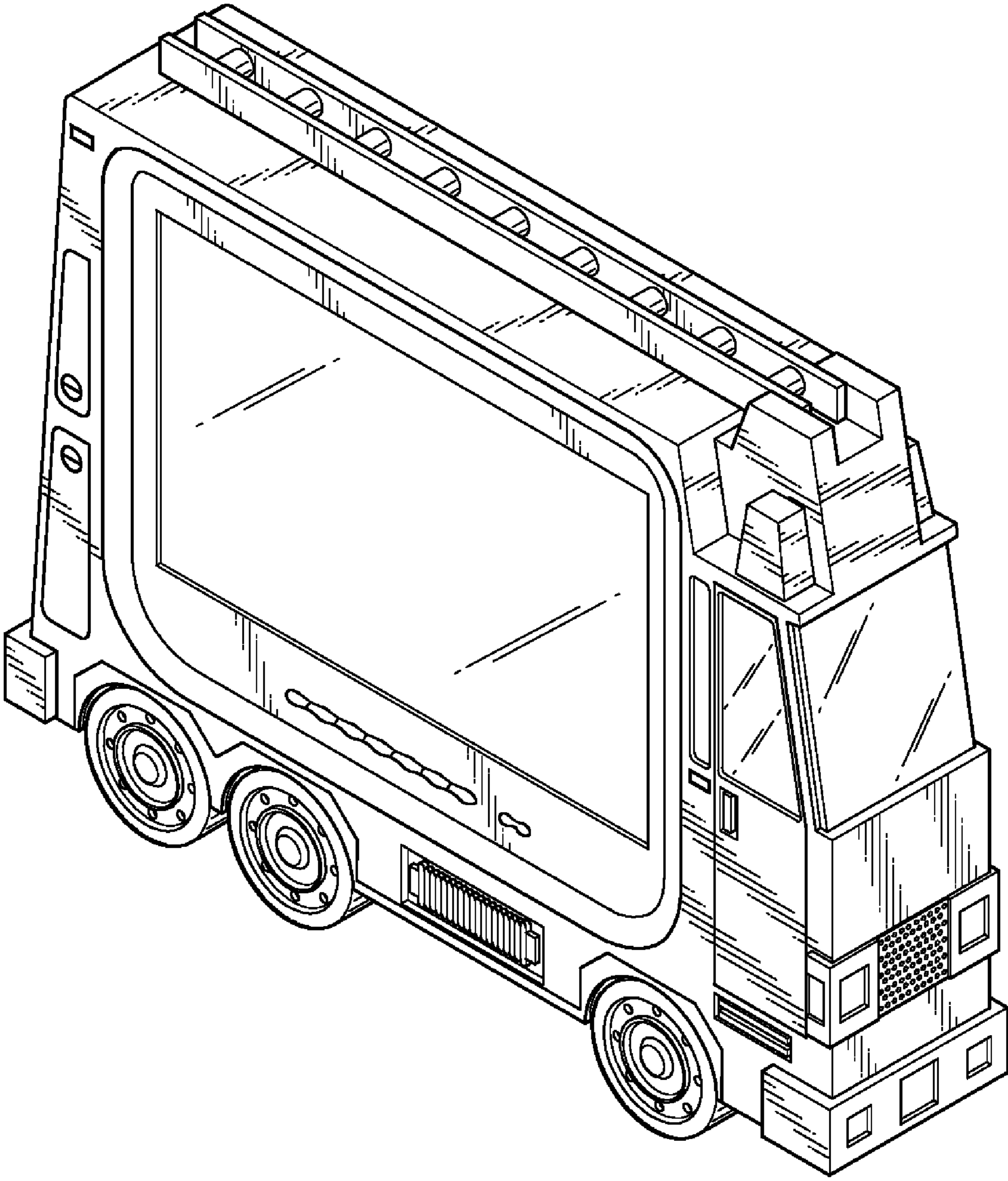


FIG. 1

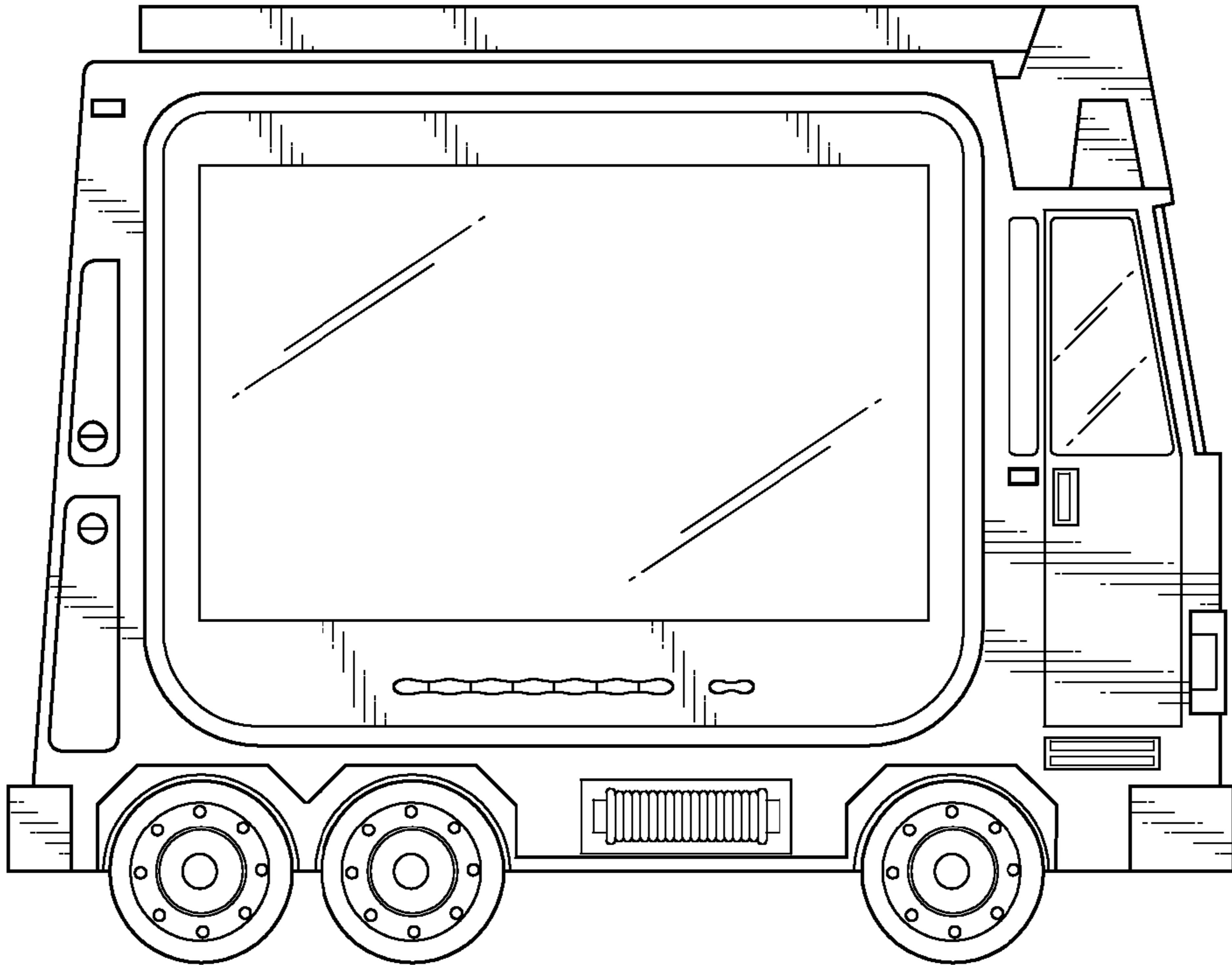


FIG. 2

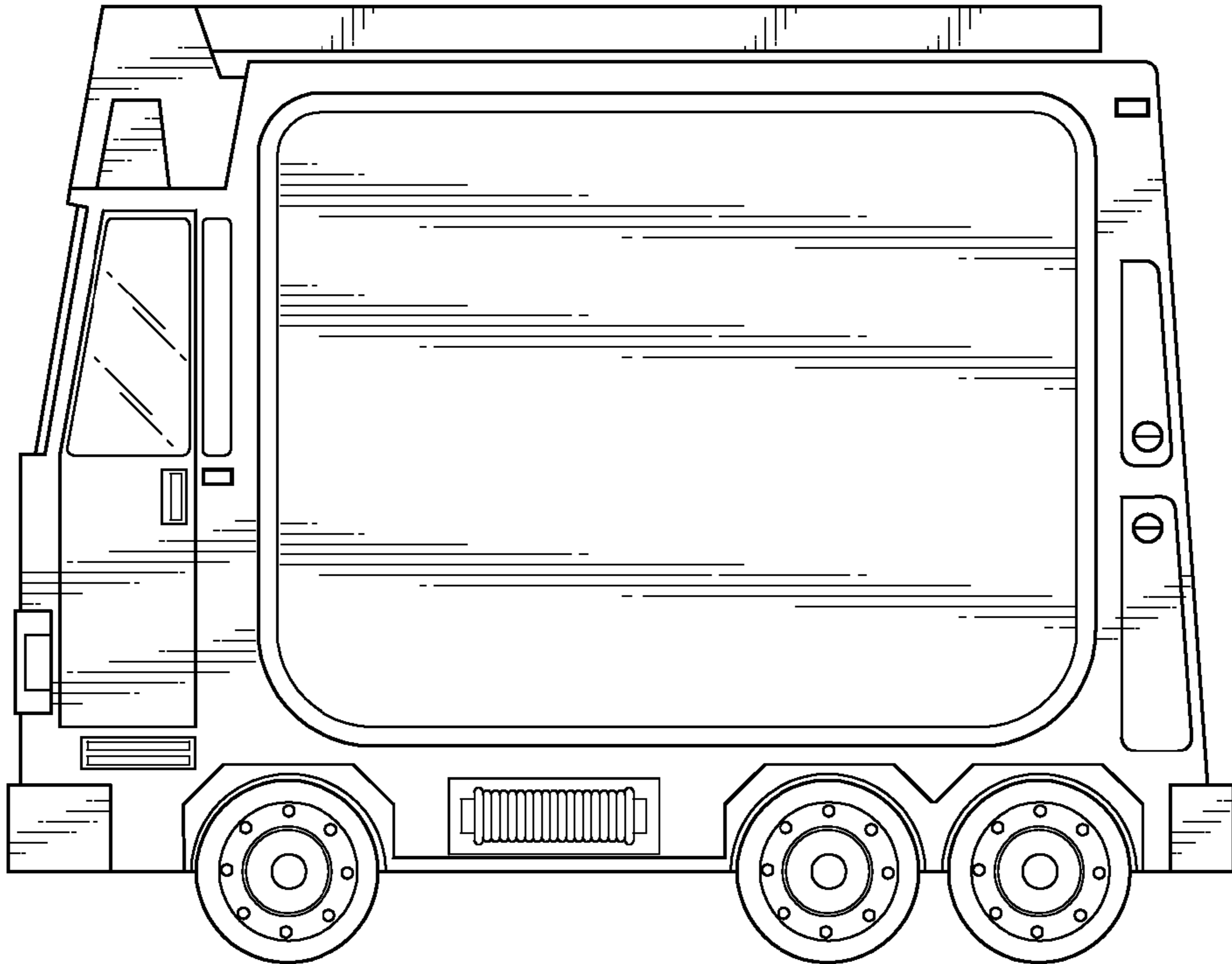


FIG. 3

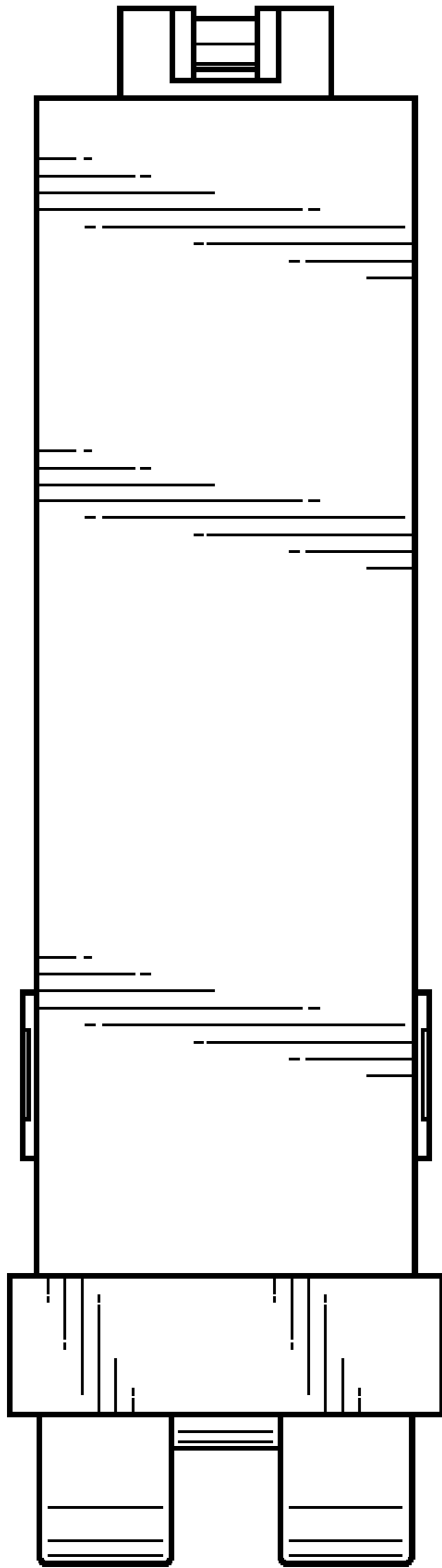


FIG. 4

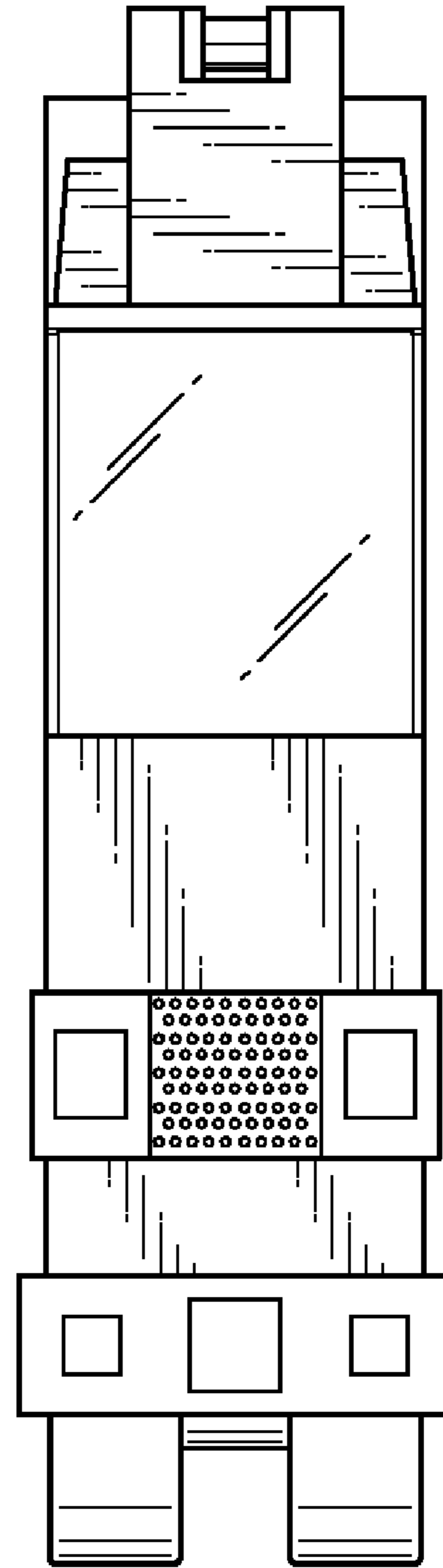


FIG. 5

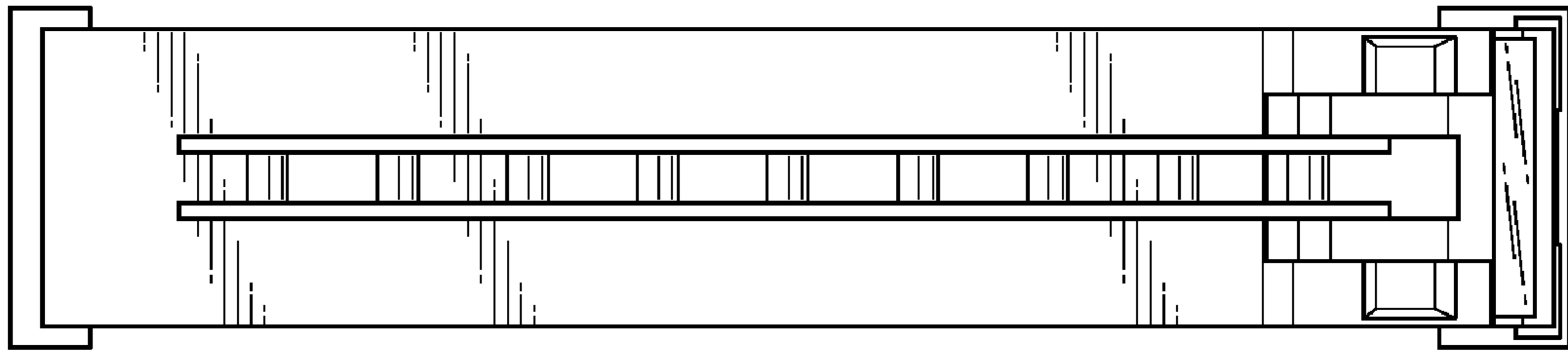


FIG. 6

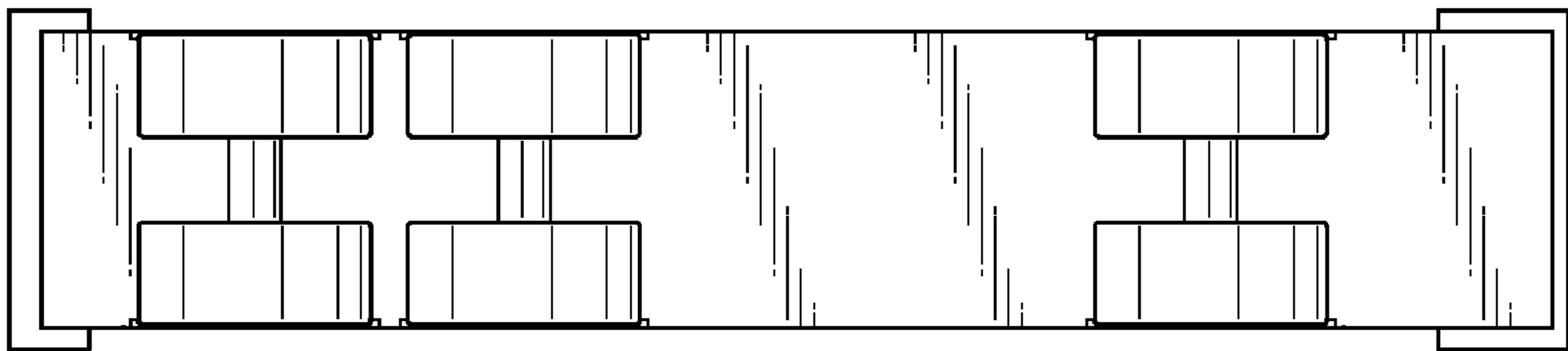


FIG. 7