



US00D608359S

(12) **United States Design Patent**
Yu

(10) **Patent No.:** **US D608,359 S**
(45) **Date of Patent:** **** Jan. 19, 2010**

(54) **EXTERNAL DUAL-DISK MINI-BACKPLANE**

(75) Inventor: **Joshua Yu**, Arcadia, CA (US)

(73) Assignee: **Fibertronic Group Inc.**, City of Industry, CA (US)

(**) Term: **14 Years**

(21) Appl. No.: **29/338,895**

(22) Filed: **Jun. 19, 2009**

Related U.S. Application Data

(63) Continuation of application No. 29/284,499, filed on Sep. 10, 2007.

(51) **LOC (9) Cl.** **14-02**

(52) **U.S. Cl.** **D14/364**

(58) **Field of Classification Search** D14/313,
D14/301, 348, 349, 351-358, 368, 370, 432,
D14/435, 436, 496; 711/100, 115; 361/685,
361/725, 752; 360/133, 97.01, 97.03; D13/149,
D13/184

See application file for complete search history.

(56) **References Cited**

U.S. PATENT DOCUMENTS

D340,040	S	*	10/1993	Gifford et al.	D14/365
D362,429	S	*	9/1995	Lande et al.	D14/364
D392,622	S	*	3/1998	Lee	D14/365
D395,424	S	*	6/1998	Nakayama et al.	D14/313
D401,229	S	*	11/1998	Roehrs et al.	D14/363
D410,904	S	*	6/1999	Fenner et al.	D14/364
D445,789	S	*	7/2001	Zmehrir	D14/356
D463,427	S	*	9/2002	Sherry	D14/356

D463,429	S	*	9/2002	Tanaka	D14/356
D495,699	S	*	9/2004	Oura et al.	D14/356
D520,002	S	*	5/2006	Mello	D14/370
D568,881	S	*	5/2008	Hsiau	D14/370

* cited by examiner

Primary Examiner—Brian N Vinson

(74) *Attorney, Agent, or Firm*—Chen Yoshimura LLP

(57) **CLAIM**

The ornamental design for an external dual-disk mini-backplane, as shown and described.

DESCRIPTION

FIG. 1 is a front, top and right side perspective view of an external dual-disk mini-backplane showing my new design;

FIG. 2 is a front elevational view thereof;

FIG. 3 is a rear elevational view thereof;

FIG. 4 is a top plan view thereof;

FIG. 5 is a bottom plan view thereof;

FIG. 6 is a right side elevational view thereof;

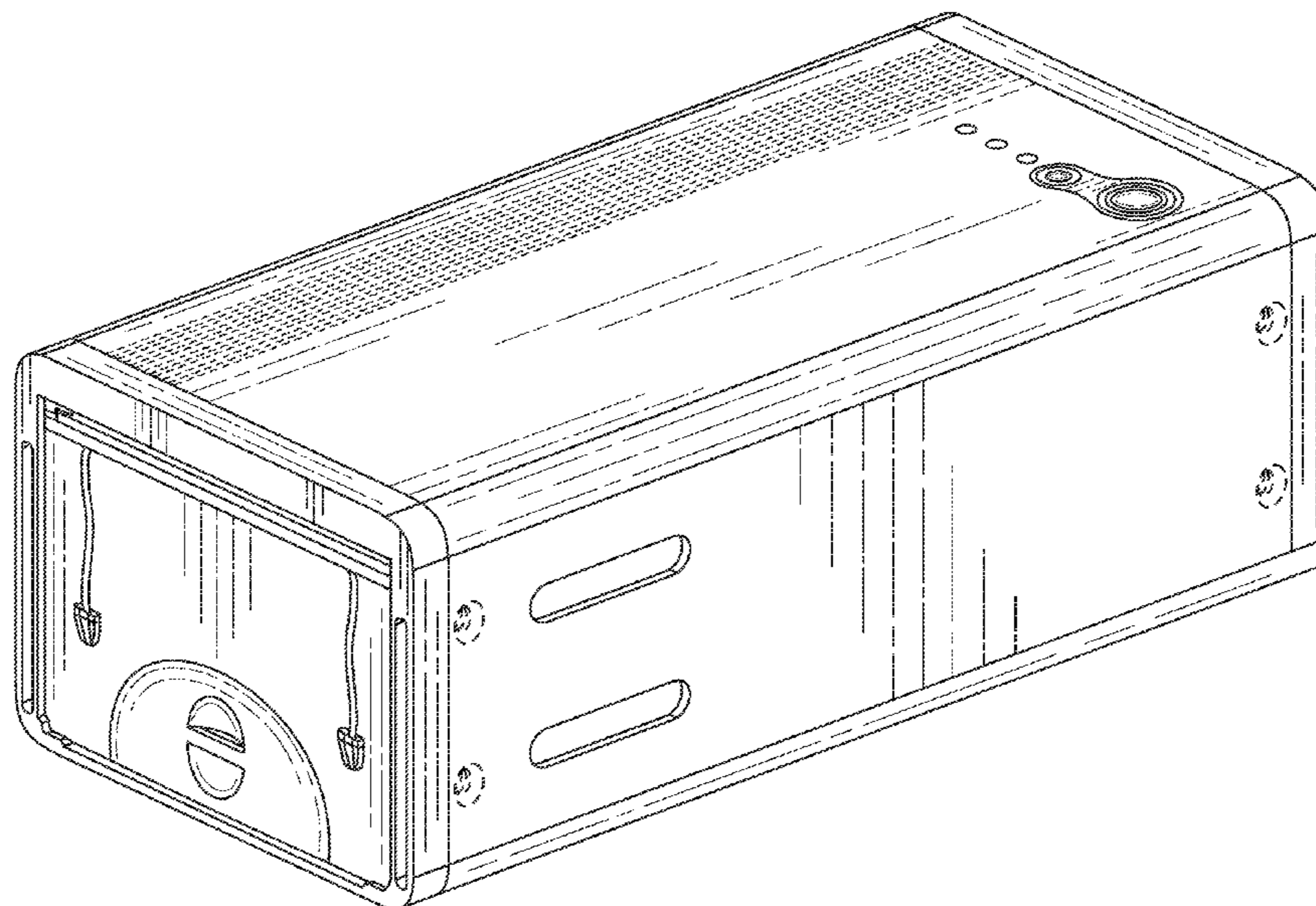
FIG. 7 is a left side elevational view thereof;

FIG. 8 is a front, top and right side perspective view of the external dual-disk mini-backplane with its front cover open; and,

FIG. 9 is a front elevational view of the external dual-disk mini-backplane with its front cover open.

The broken-line disclosure is understood to represent portions of the article in which the claimed design is embodied, but which forms no part of the claimed design.

1 Claim, 7 Drawing Sheets



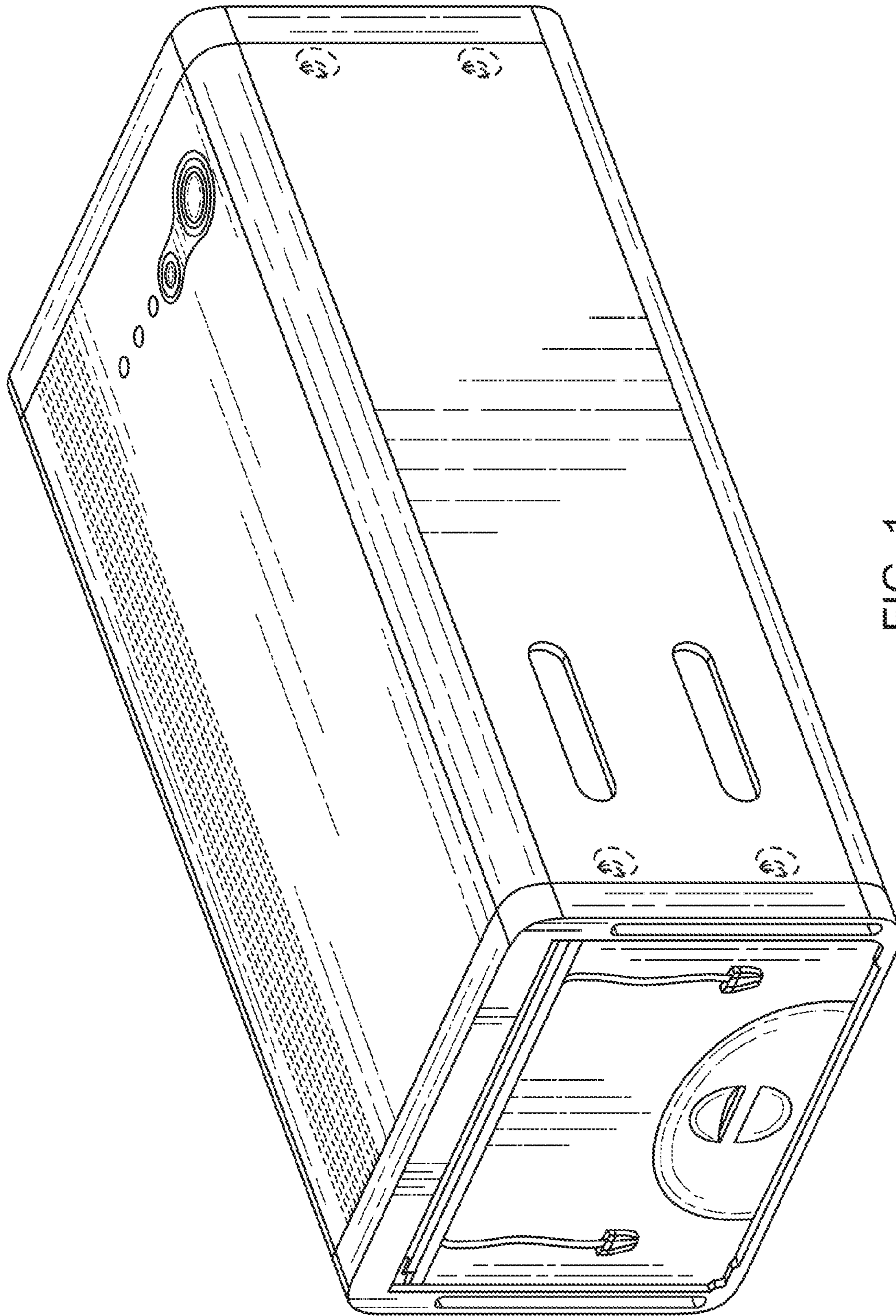


FIG. 1

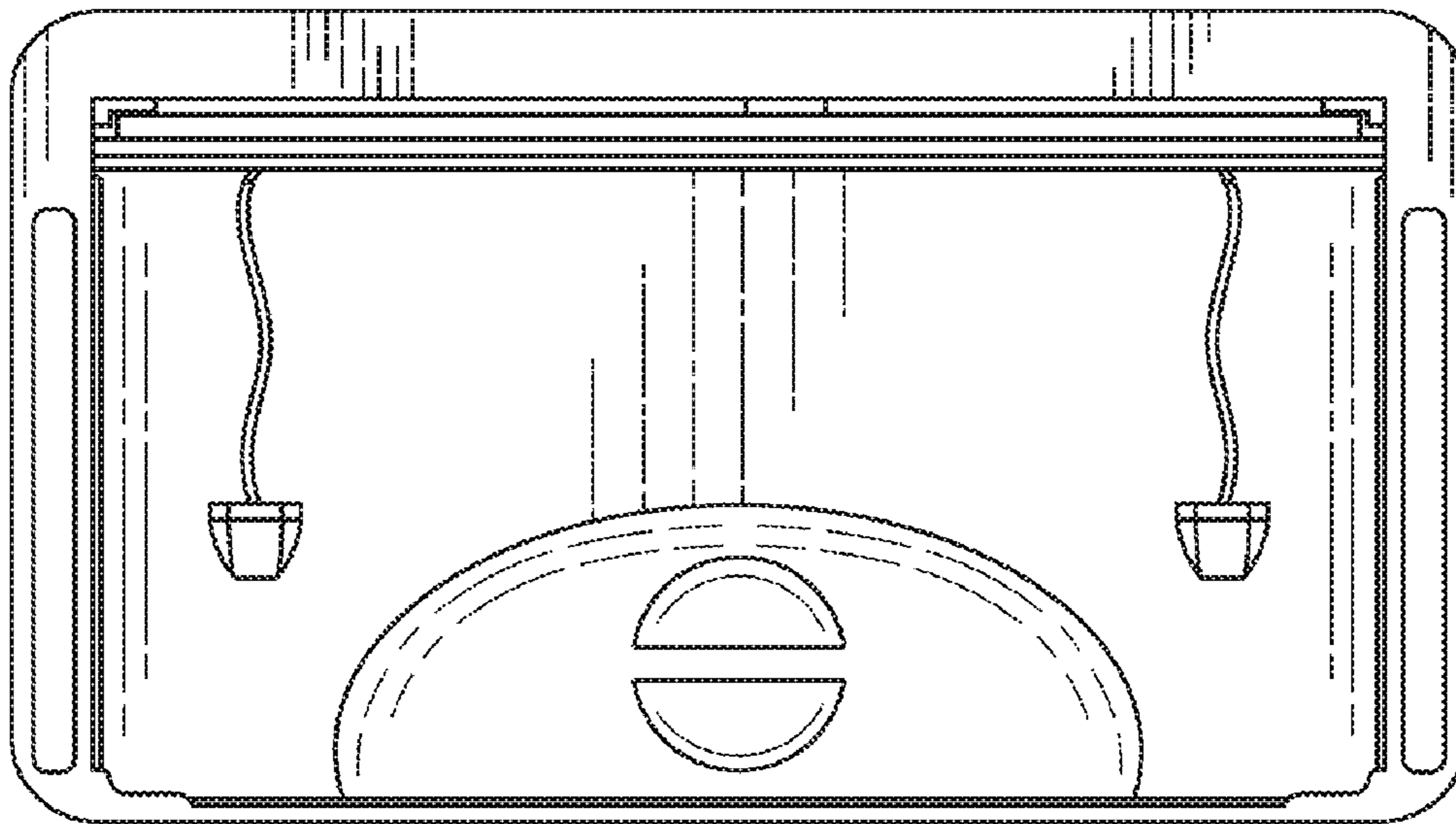


FIG. 2

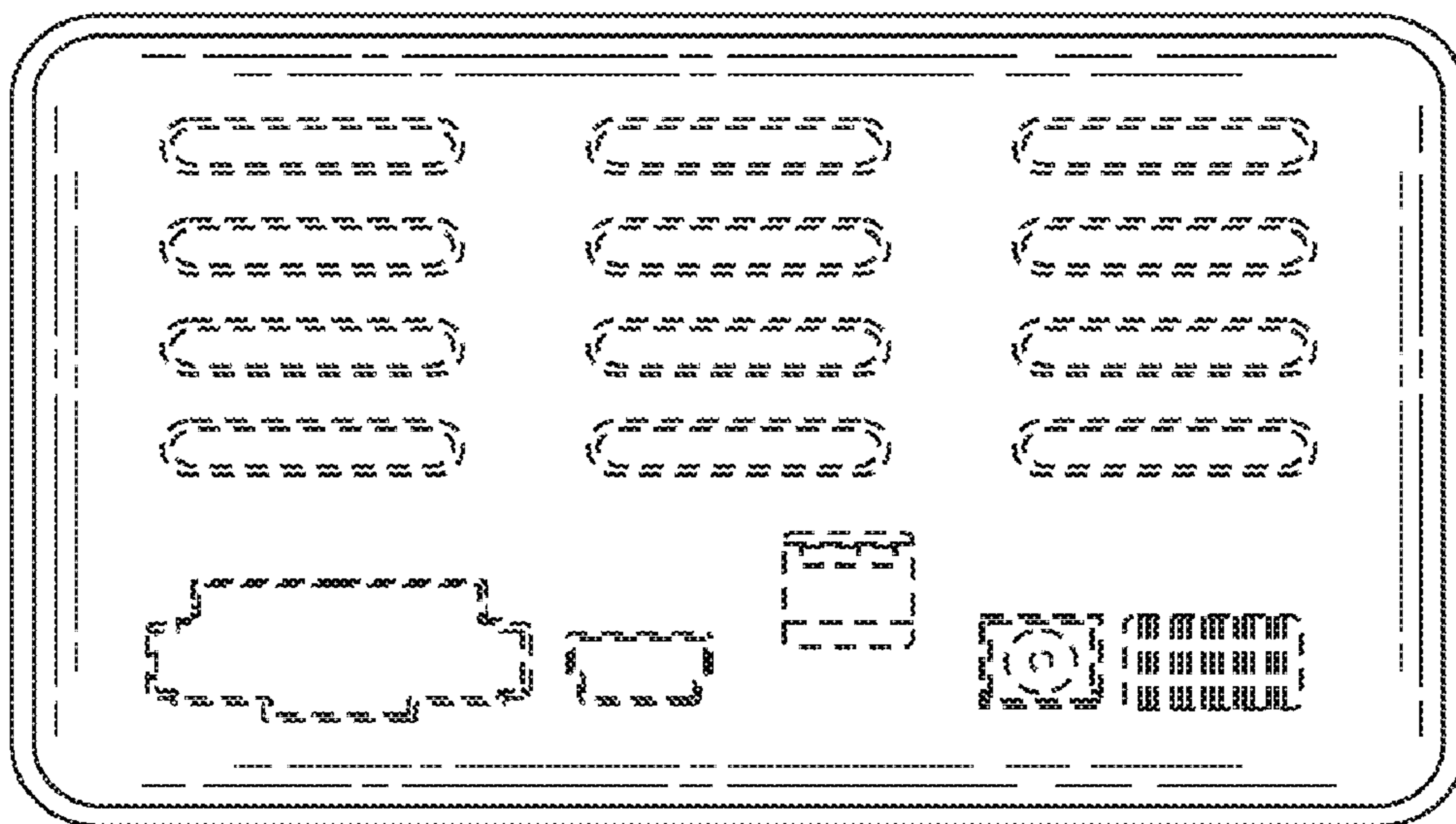


FIG. 3

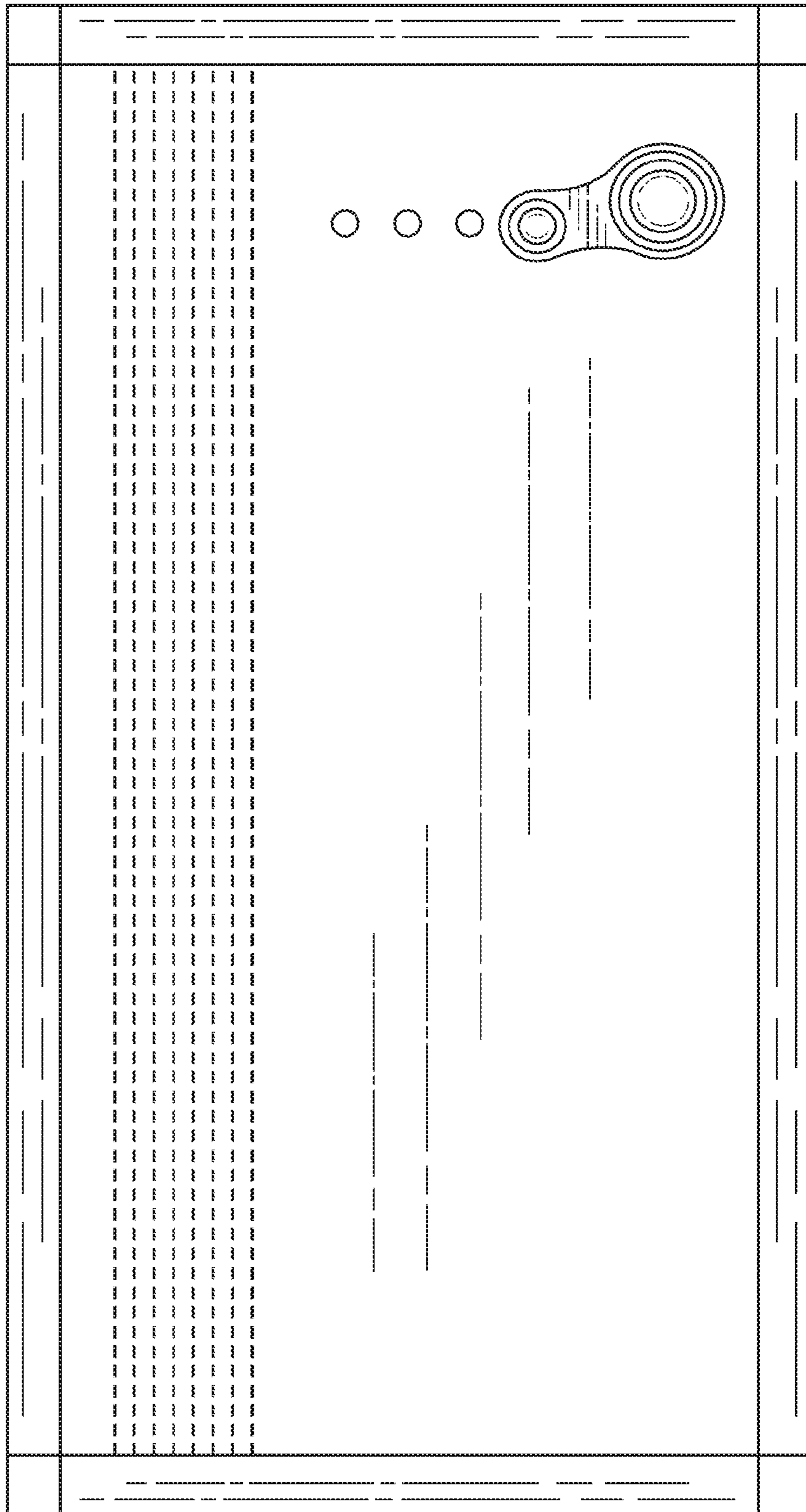


FIG. 4

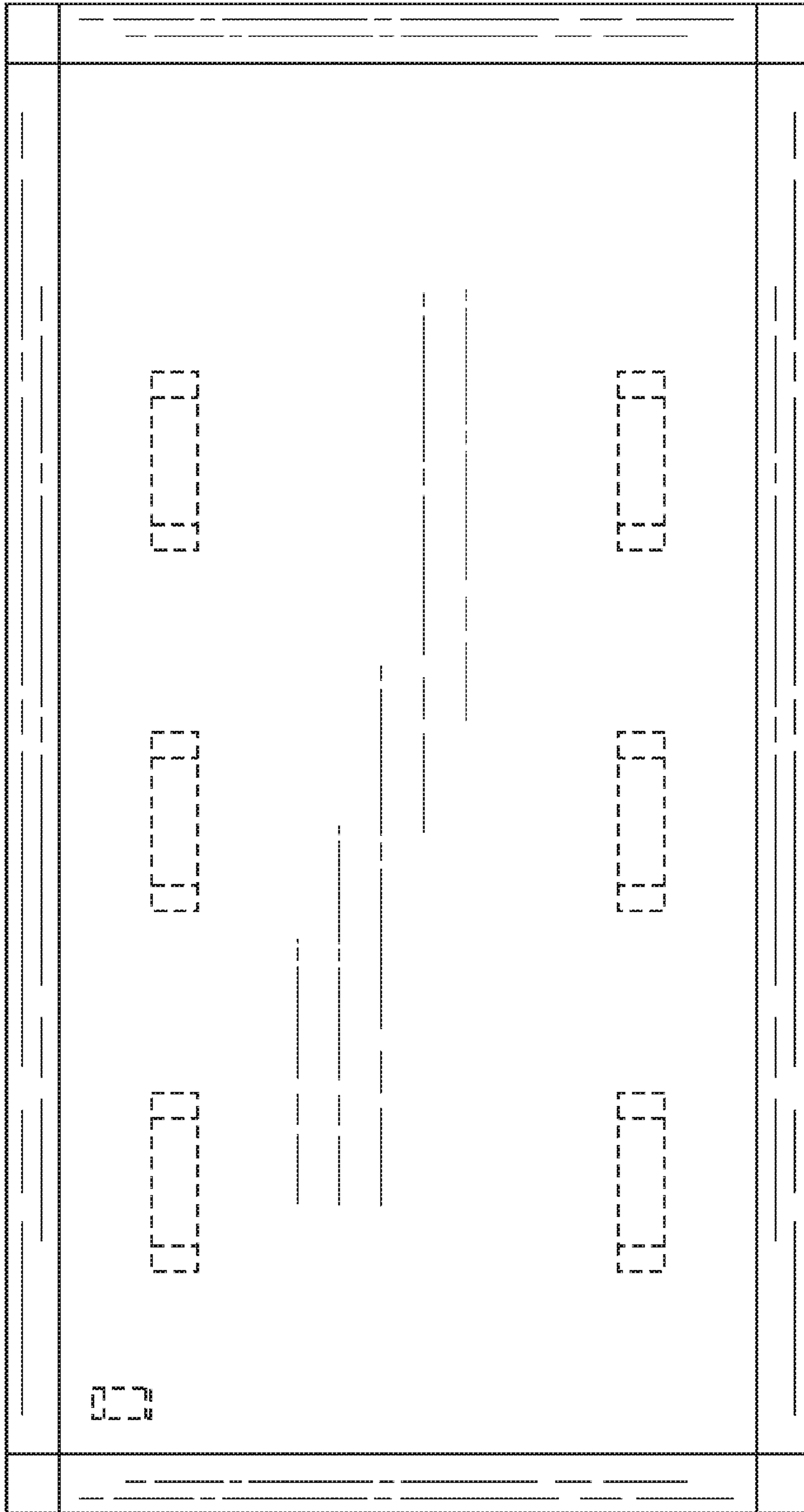


FIG. 5

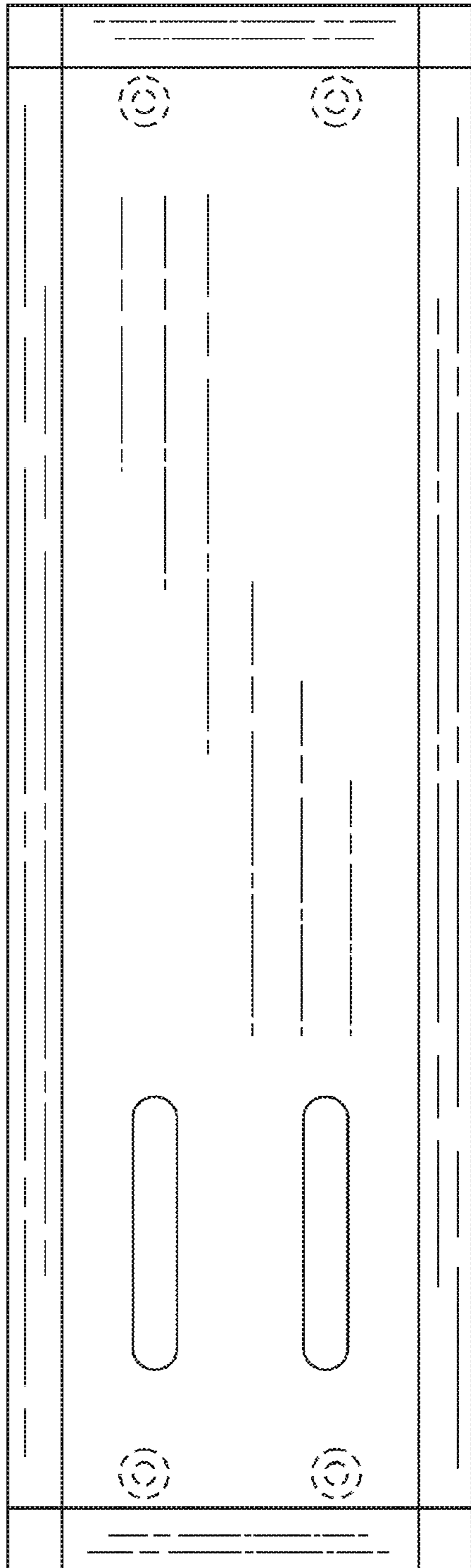


FIG. 6

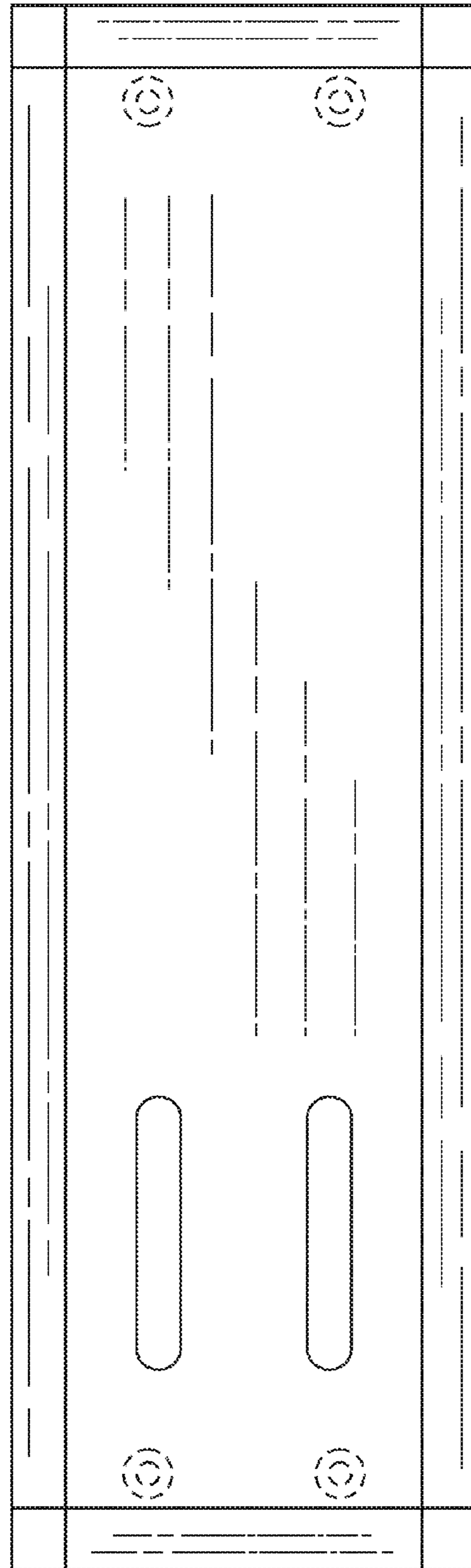


FIG. 7

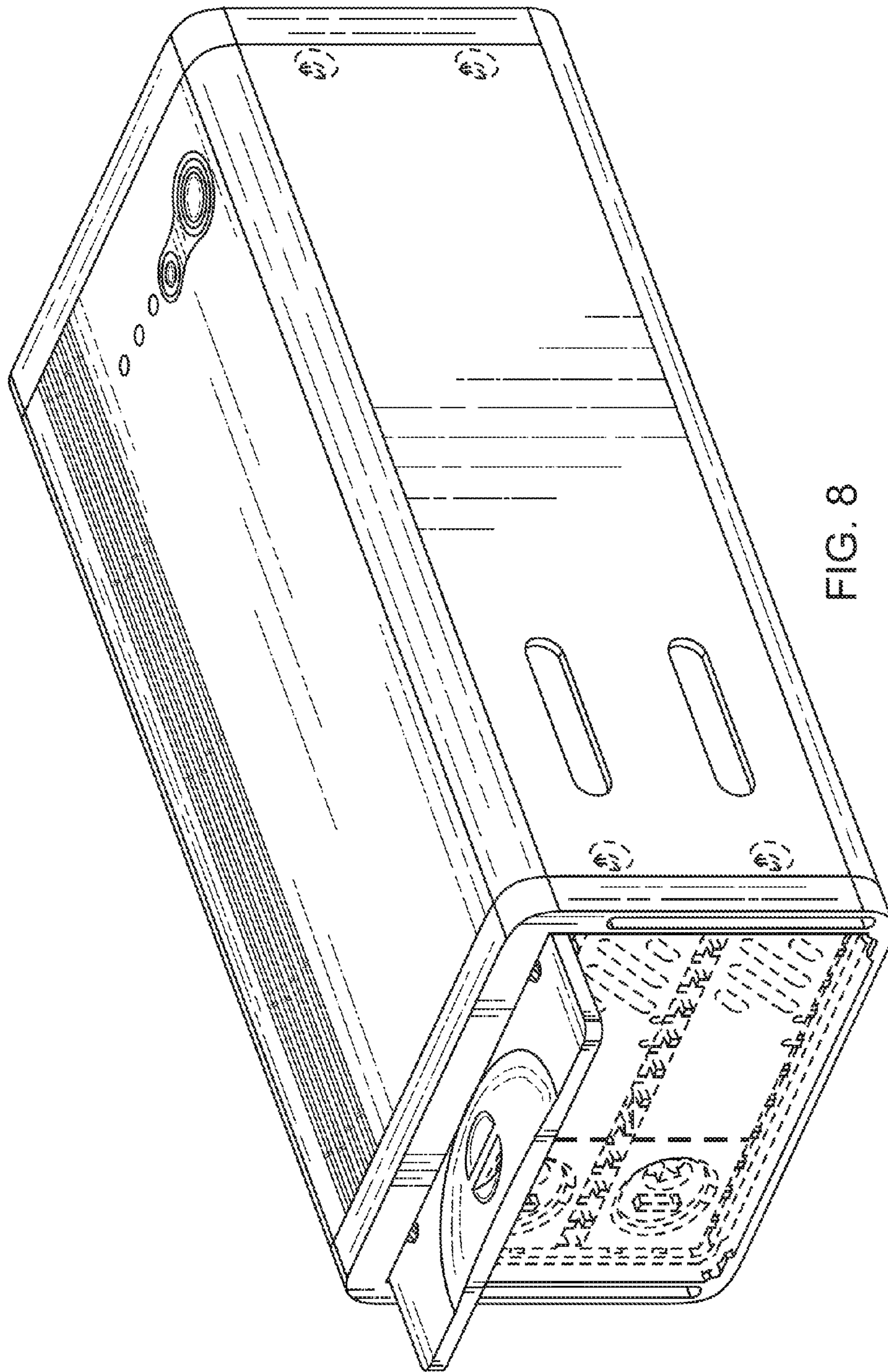


FIG. 8

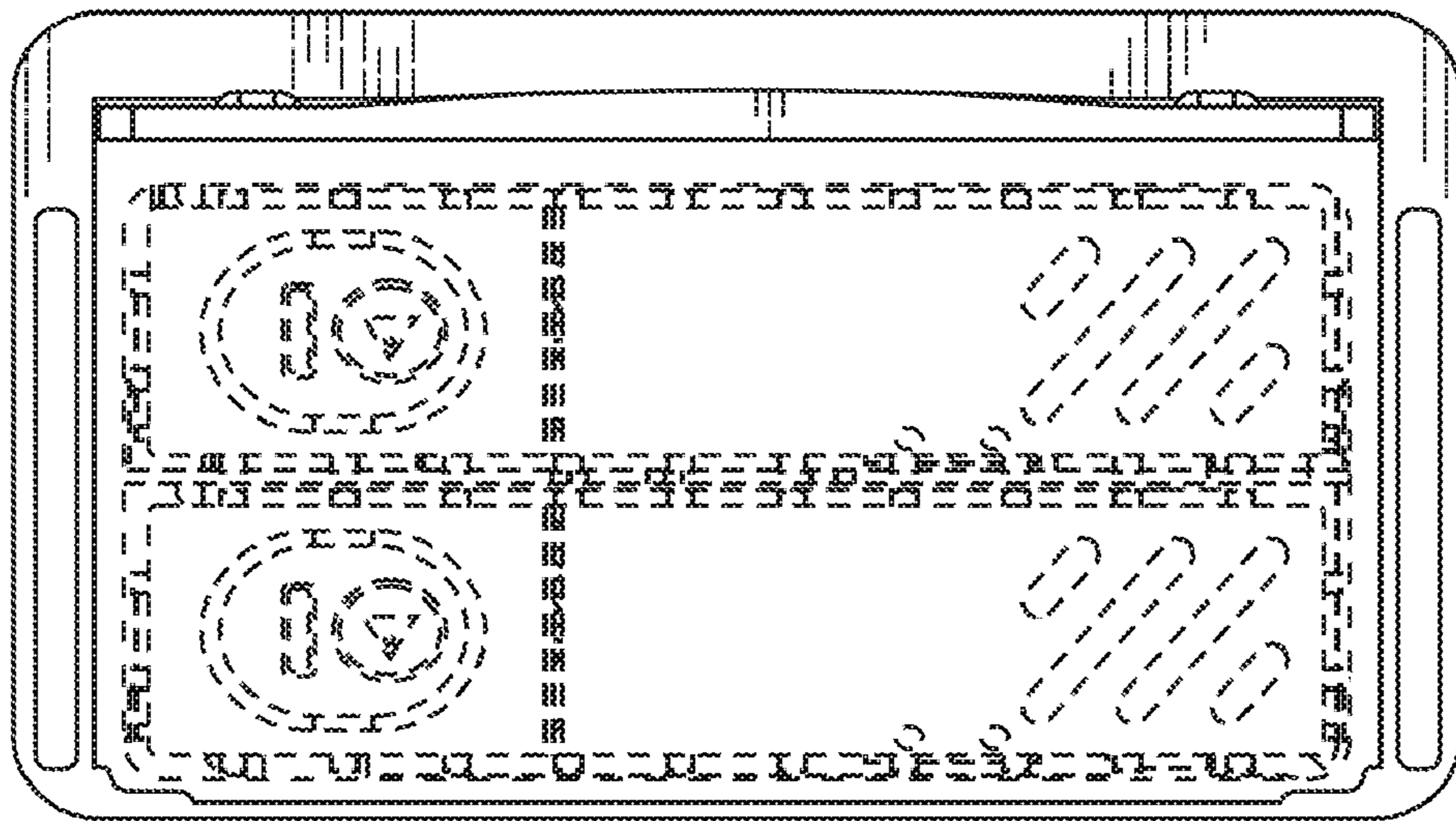


FIG. 9