



US00D608358S

(12) **United States Design Patent**  
**Ong**

(10) **Patent No.:** **US D608,358 S**  
(45) **Date of Patent:** **\*\* Jan. 19, 2010**

(54) **ELECTRONIC BOOK**

(75) Inventor: **Soon-Teong Ong, Tu-Cheng (TW)**

(73) Assignee: **Hon Hai Precision Industry Co., Ltd.,  
Tu-Cheng, Taipei Hsien (TW)**

(\*\*) Term: **14 Years**

(21) Appl. No.: **29/334,602**

(22) Filed: **Mar. 30, 2009**

(51) **LOC (9) Cl.** ..... **14-02**

(52) **U.S. Cl.** ..... **D14/345**

(58) **Field of Classification Search** ..... D14/341-346,  
D14/336, 337, 371, 374; 345/104, 133, 156,  
345/168, 173; 348/180, 184, 325, 739; 385/88;  
361/680-686; 710/62; D10/65  
See application file for complete search history.

(56) **References Cited**

**U.S. PATENT DOCUMENTS**

D356,547 S *	3/1995	Silva et al.	.....	D14/341
D418,117 S *	12/1999	Wade et al.	.....	D14/342
6,065,880 A *	5/2000	Thompson	.....	385/88
D432,099 S *	10/2000	Loh et al.	.....	D14/345
D441,359 S *	5/2001	Iseki et al.	.....	D14/341
D466,115 S *	11/2002	Hawkins et al.	.....	D14/345
D488,470 S *	4/2004	Morisawa	.....	D14/345
D491,560 S *	6/2004	Hsu Li	.....	D14/371

D492,304 S *	6/2004	Nishida	.....	D14/345
D492,323 S *	6/2004	Wang	.....	D14/203.7
D502,701 S *	3/2005	Takuma	.....	D14/345
7,366,609 B2 *	4/2008	Lee	.....	701/213
D569,373 S *	5/2008	Lee et al.	.....	D14/341

\* cited by examiner

*Primary Examiner*—Freda S Nunn

(74) *Attorney, Agent, or Firm*—Clifford O. Chi

(57) **CLAIM**

The ornamental design for an electronic book, as shown.

**DESCRIPTION**

FIG. 1 is a perspective view of an electronic book showing my new design;

FIG. 2 is a front elevational view thereof;

FIG. 3 is a left side elevational view thereof;

FIG. 4 is a right side elevational view thereof;

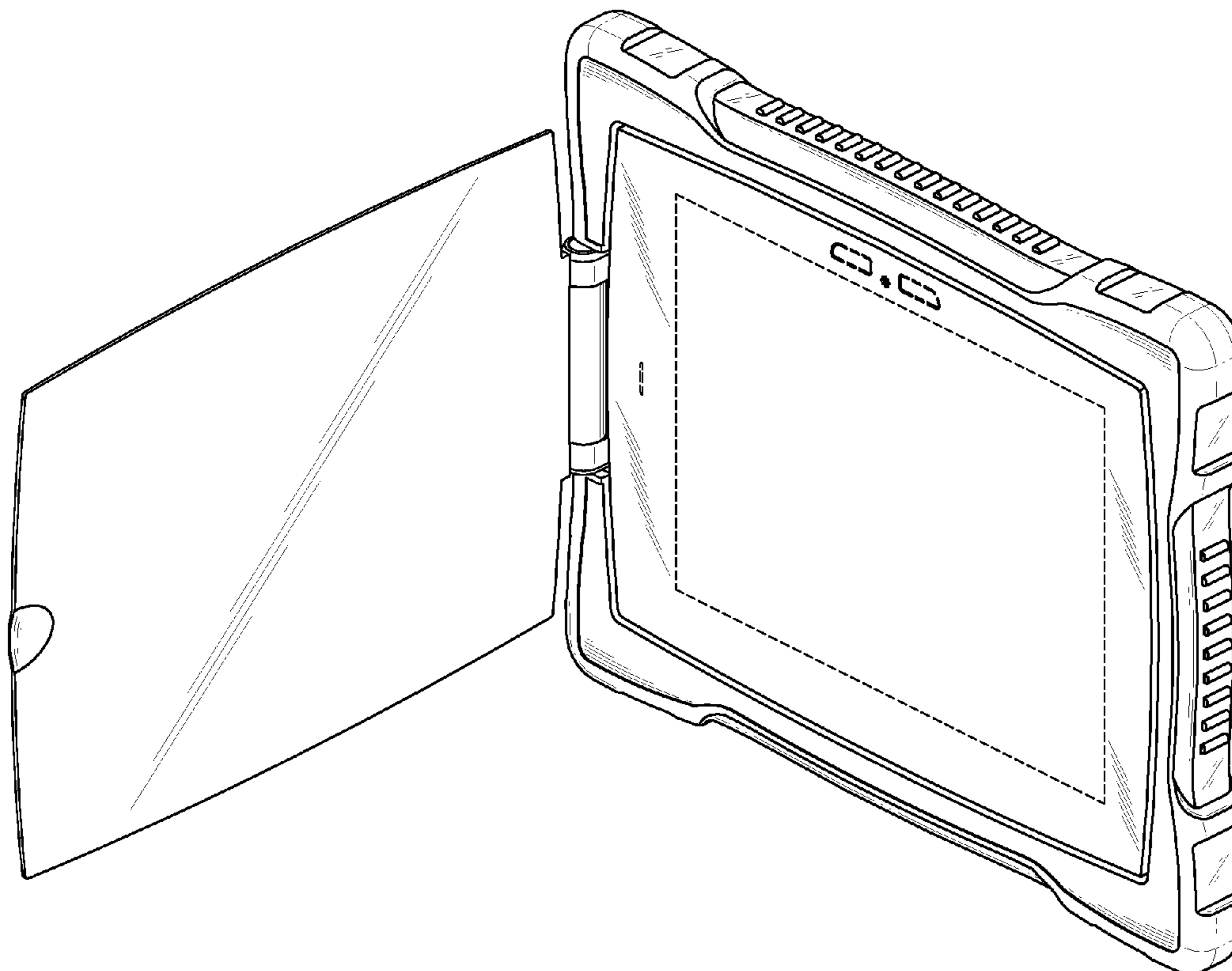
FIG. 5 is a top plan view thereof;

FIG. 6 is a bottom plan view thereof; and,

FIG. 7 is a perspective view thereof showing the electronic book unfolded for use.

Broken lines shown in the drawings illustrate portions of the electronic book, and form no part of the claimed design.

**1 Claim, 7 Drawing Sheets**



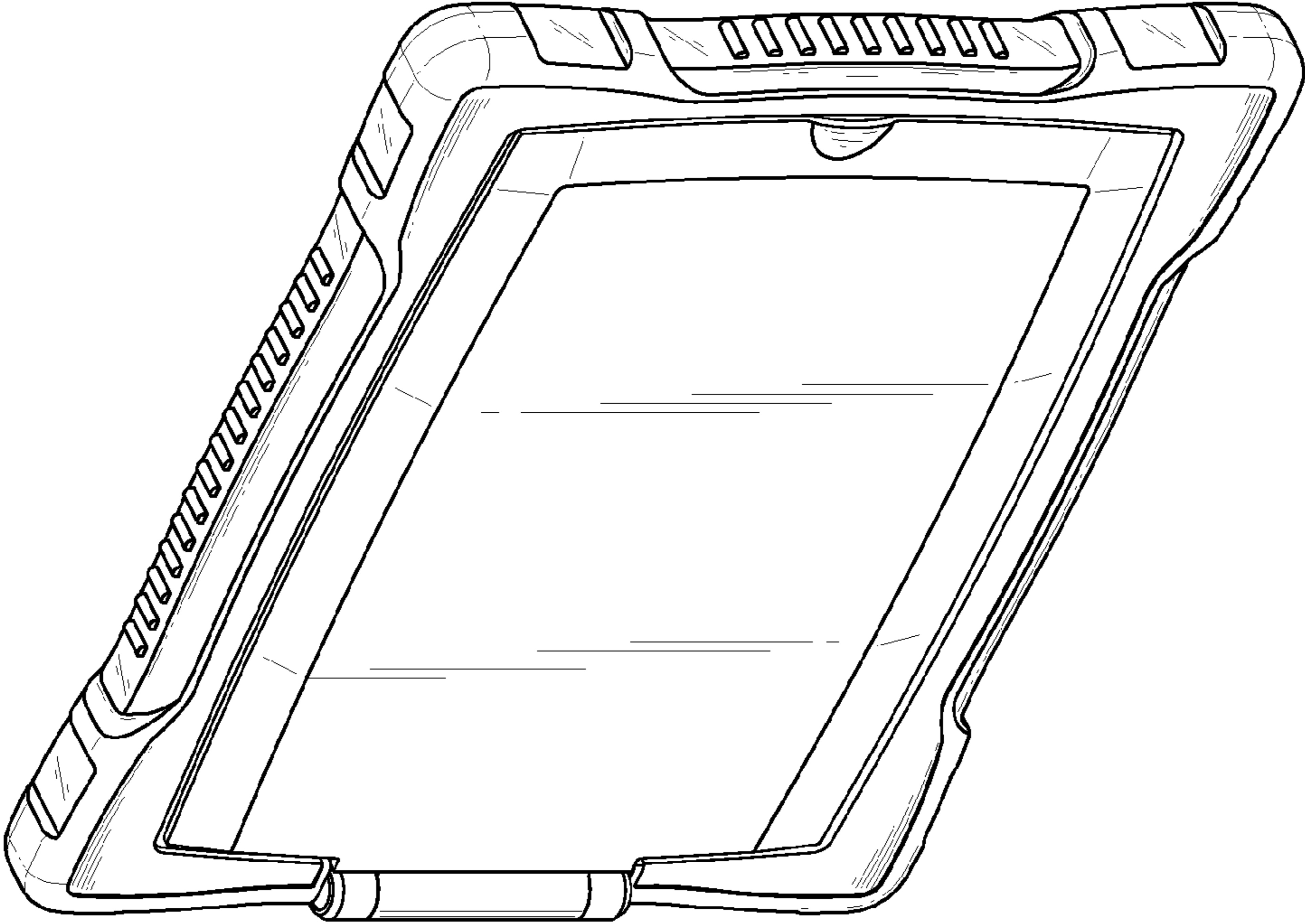


FIG. 1

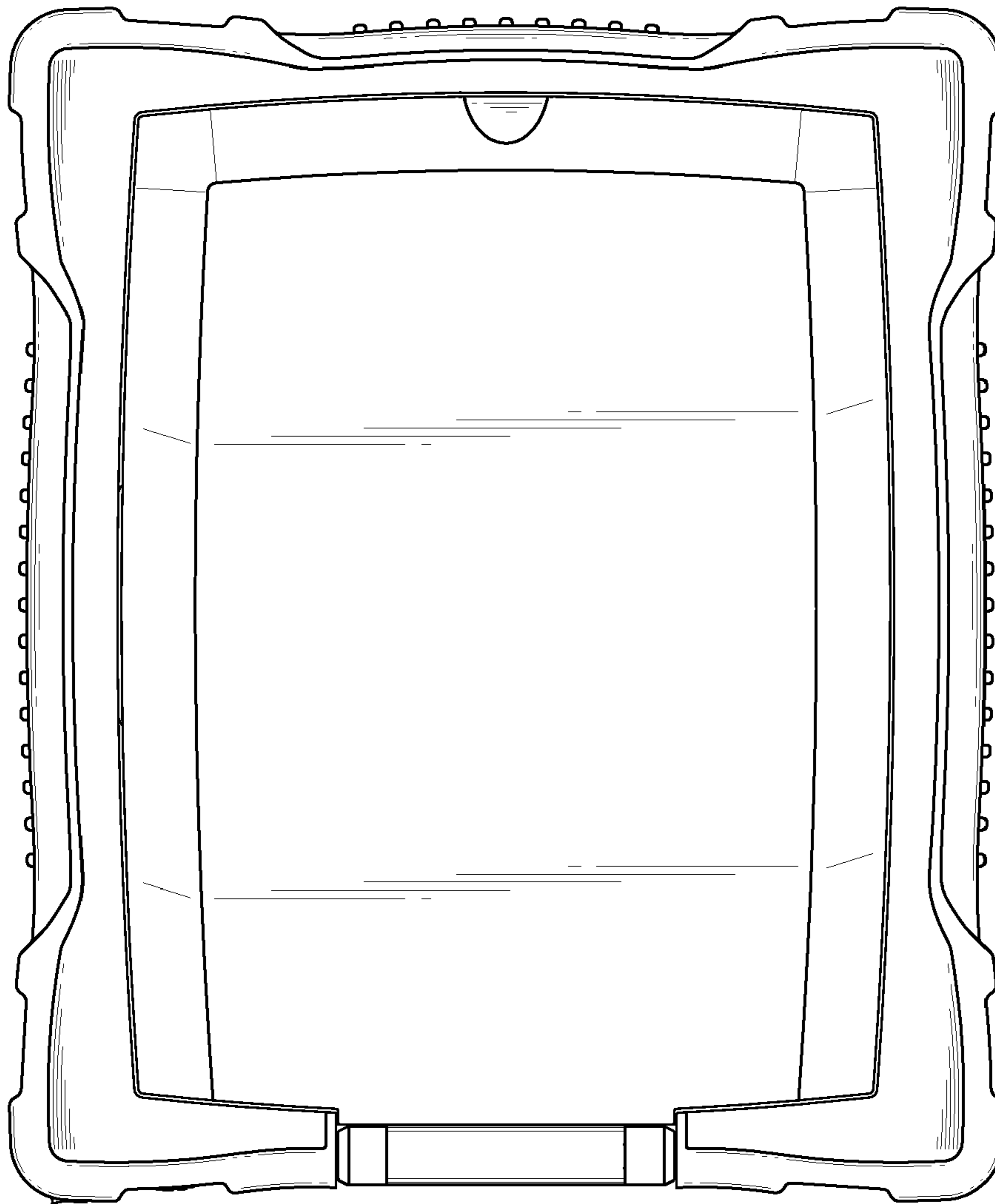


FIG. 2



FIG. 3

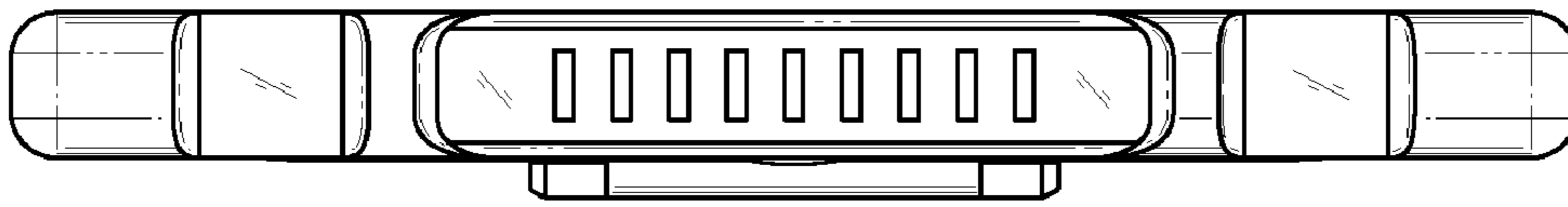


FIG. 4

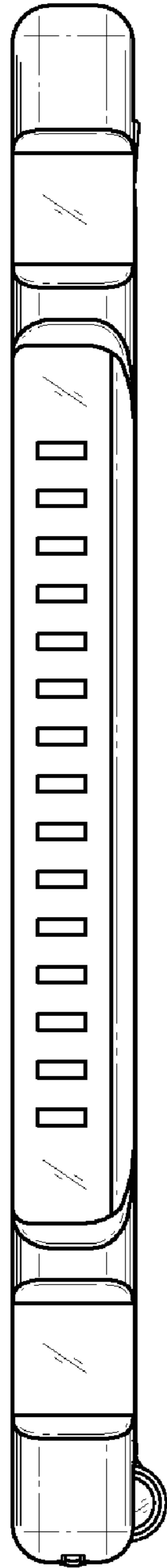


FIG. 5

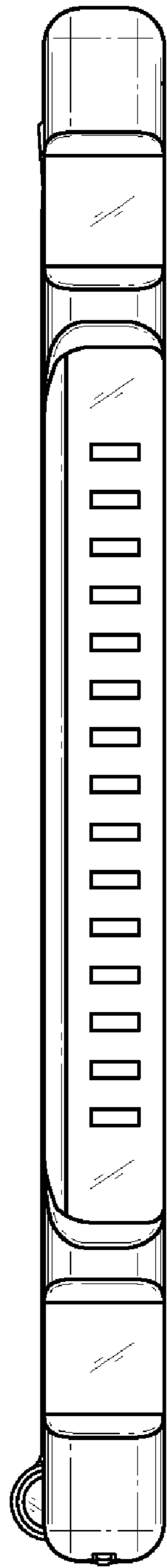


FIG. 6

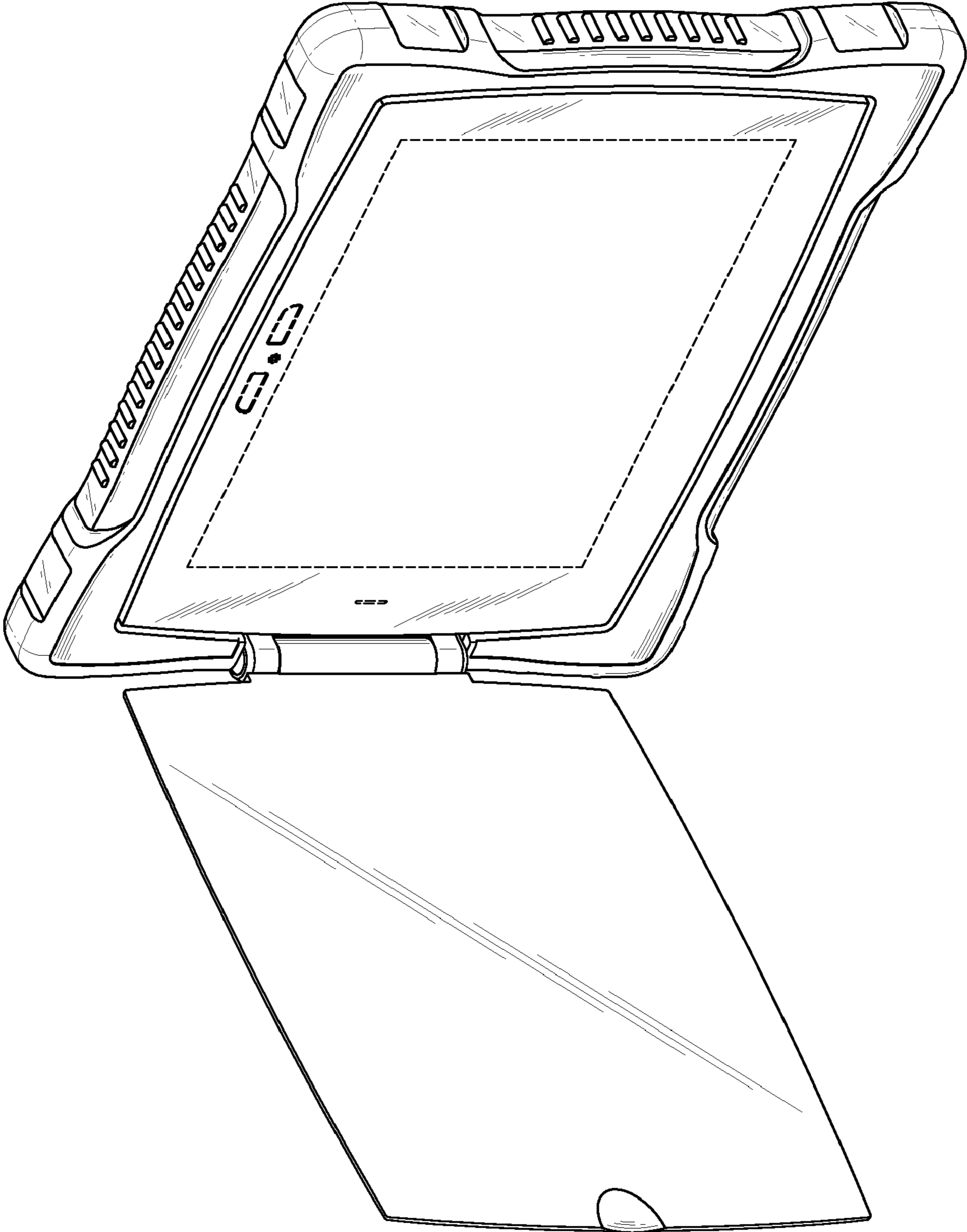


FIG. 7