



US00D608354S

(12) **United States Design Patent**
Yang et al.

(10) **Patent No.:** **US D608,354 S**
(45) **Date of Patent:** **** Jan. 19, 2010**

(54) **DOUBLE-BAND ANTENNA**

(75) Inventors: **Chung Wen Yang**, Tu-Cheng (TW);
Hung Jen Chen, Tu-Cheng (TW)

(73) Assignee: **Cheng Uei Precision Industry Co., Ltd.**, Taipei Hsien (TW)

(**) Term: **14 Years**

(21) Appl. No.: **29/311,837**

(22) Filed: **Jul. 8, 2009**

(51) **LOC (9) Cl.** **14-03**

(52) **U.S. Cl.** **D14/230**

(58) **Field of Classification Search** D14/138,
D14/230-238, 299, 358; D12/42, 43; 343/700 MS,
343/700 R-705, 711-713, 741, 748, 767,
343/795, 819, 840, 846, 866, 871-908; 455/90.2,
455/90.3, 91, 128, 269, 344, 347, 562.1
See application file for complete search history.

(56) **References Cited**

U.S. PATENT DOCUMENTS

D553,969 S *	10/2007	Allsopp	D8/394
D576,614 S *	9/2008	Lee et al.	D14/230
D588,115 S *	3/2009	Yoshioka	D14/230
D592,195 S *	5/2009	Wu et al.	D14/230
2007/0171128 A1 *	7/2007	Chen	343/700 MS

2008/0030411 A1 *	2/2008	Wen et al.	343/702
2009/0002244 A1 *	1/2009	Woo	343/702
2009/0027273 A1 *	1/2009	Lin et al.	343/700 MS
2009/0040110 A1 *	2/2009	Chien et al.	343/700 MS
2009/0115679 A1 *	5/2009	Chou et al.	343/795
2009/0146906 A1 *	6/2009	Anguera Pros et al.	343/906

* cited by examiner

Primary Examiner—T. Chase Nelson
Assistant Examiner—John Windmuller

(74) *Attorney, Agent, or Firm*—Rosenberg, Klein & Lee

(57) **CLAIM**

The ornamental design for a double-band antenna, as shown and described.

DESCRIPTION

FIG. 1 is a perspective view of a double-band antenna showing our new design;

FIG. 2 is a front elevational view thereof;

FIG. 3 is a rear elevational view thereof;

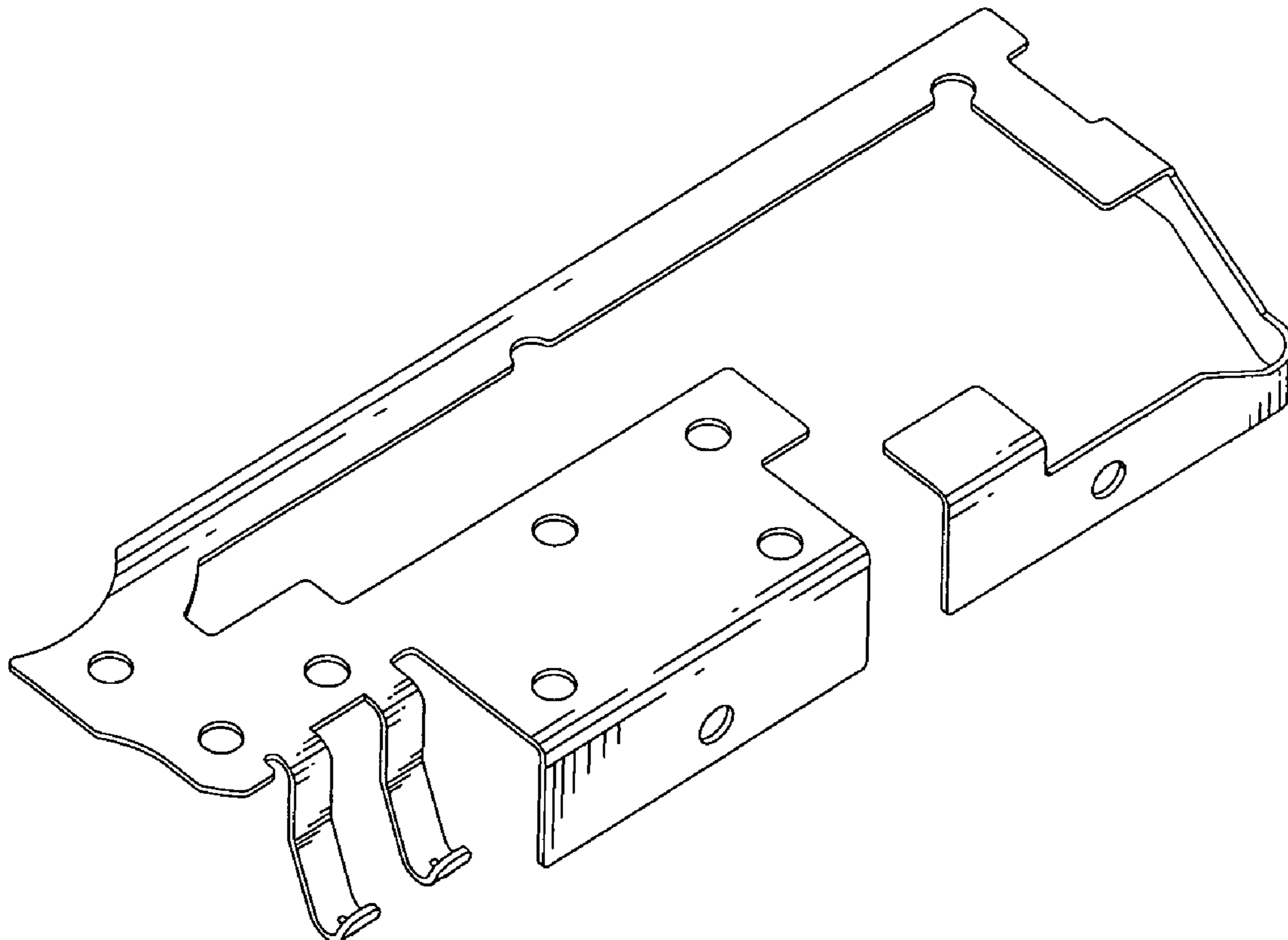
FIG. 4 is a left side elevational view thereof;

FIG. 5 is a right side elevational view thereof;

FIG. 6 is a top plan view thereof; and,

FIG. 7 is a bottom plan view thereof.

1 Claim, 7 Drawing Sheets



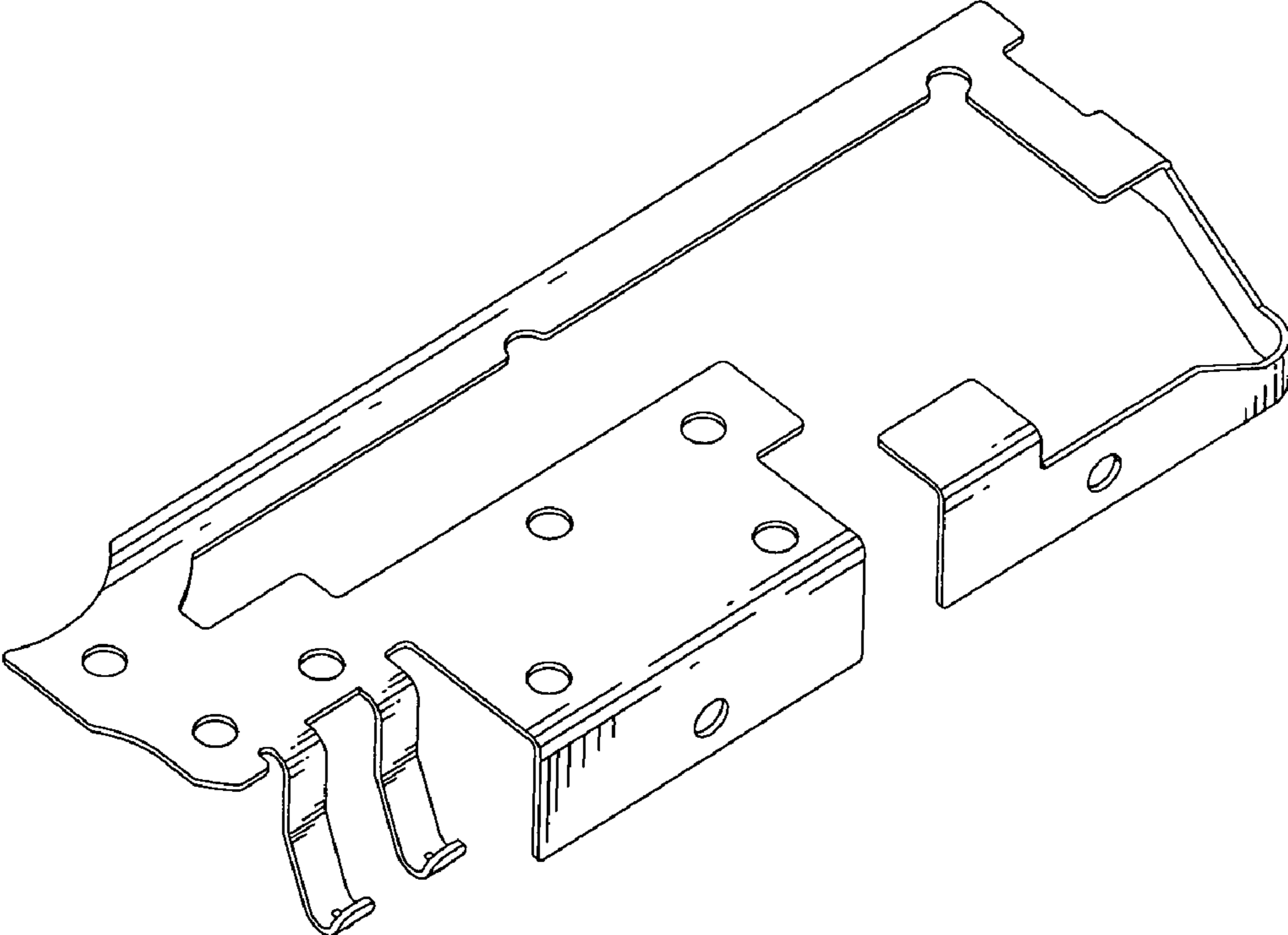


FIG. 1

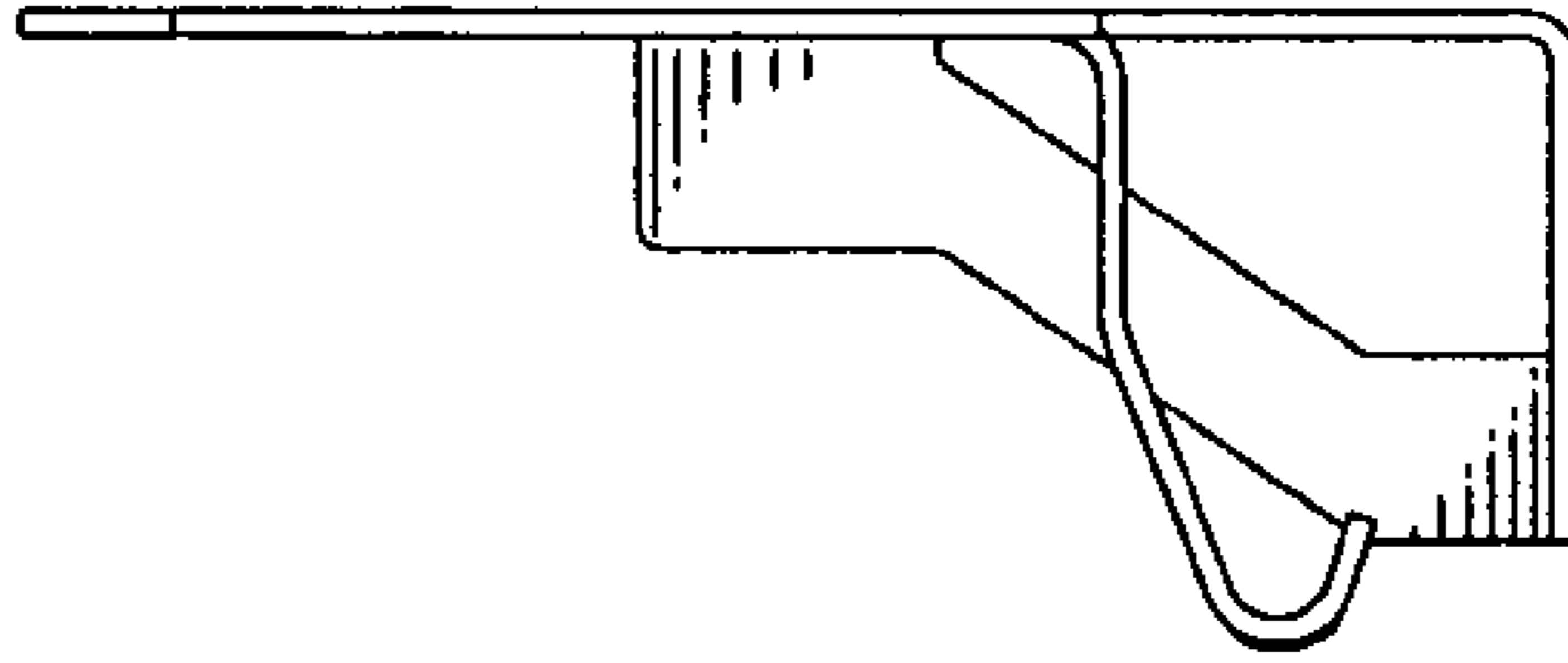


FIG. 2

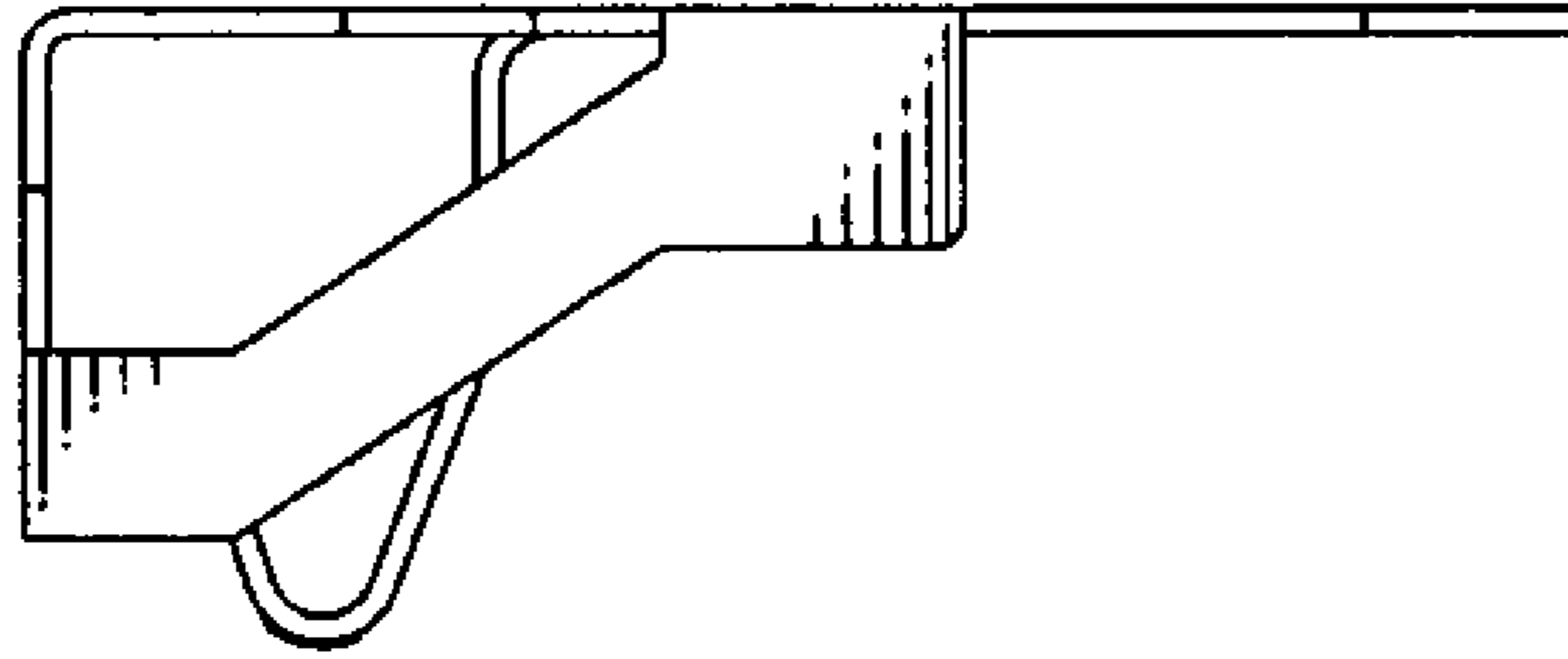


FIG. 3

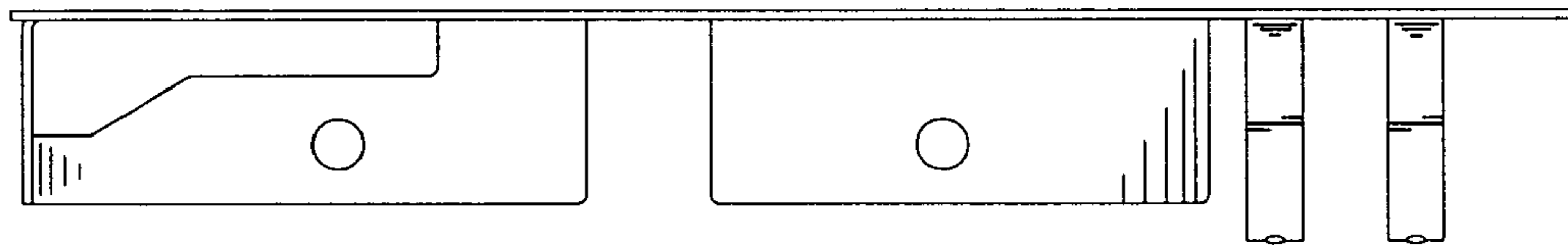


FIG. 4

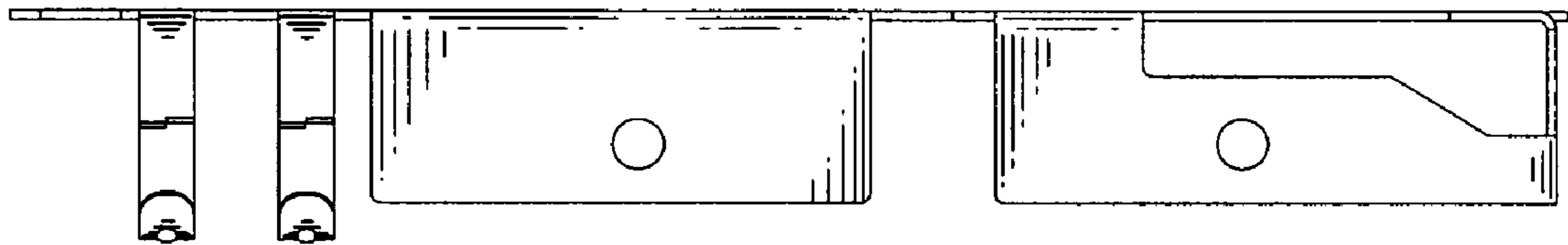


FIG. 5

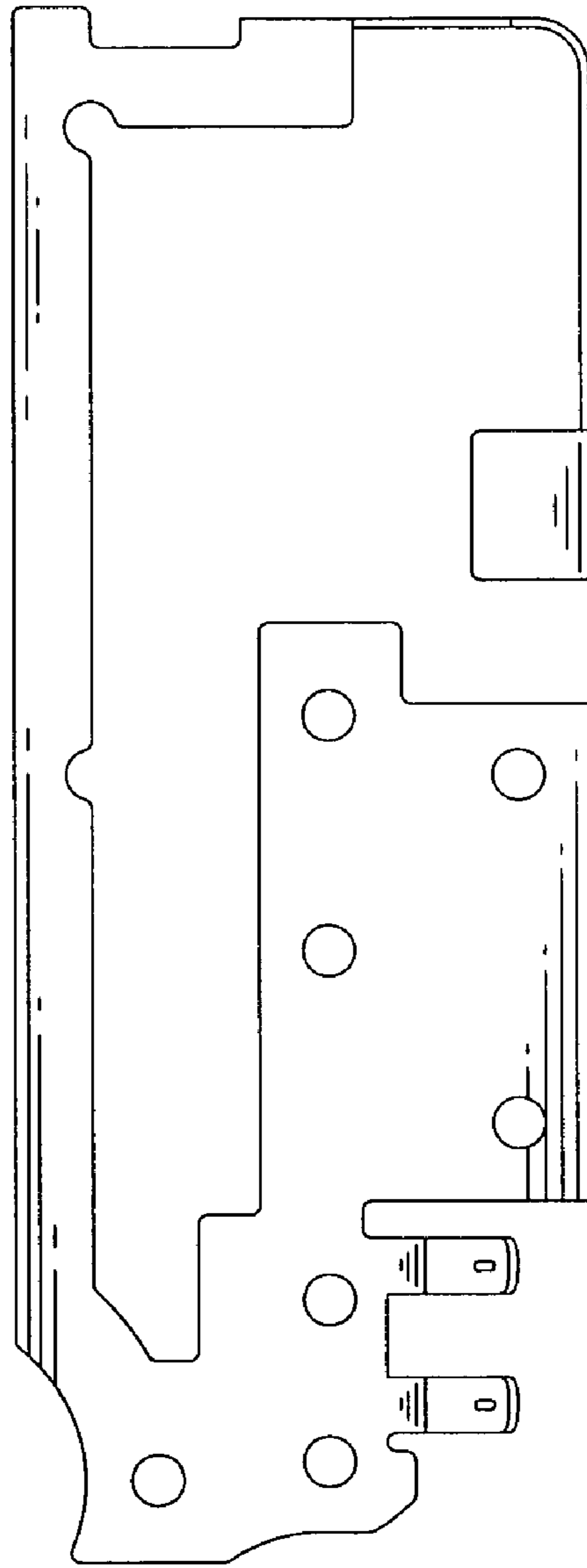


FIG. 6

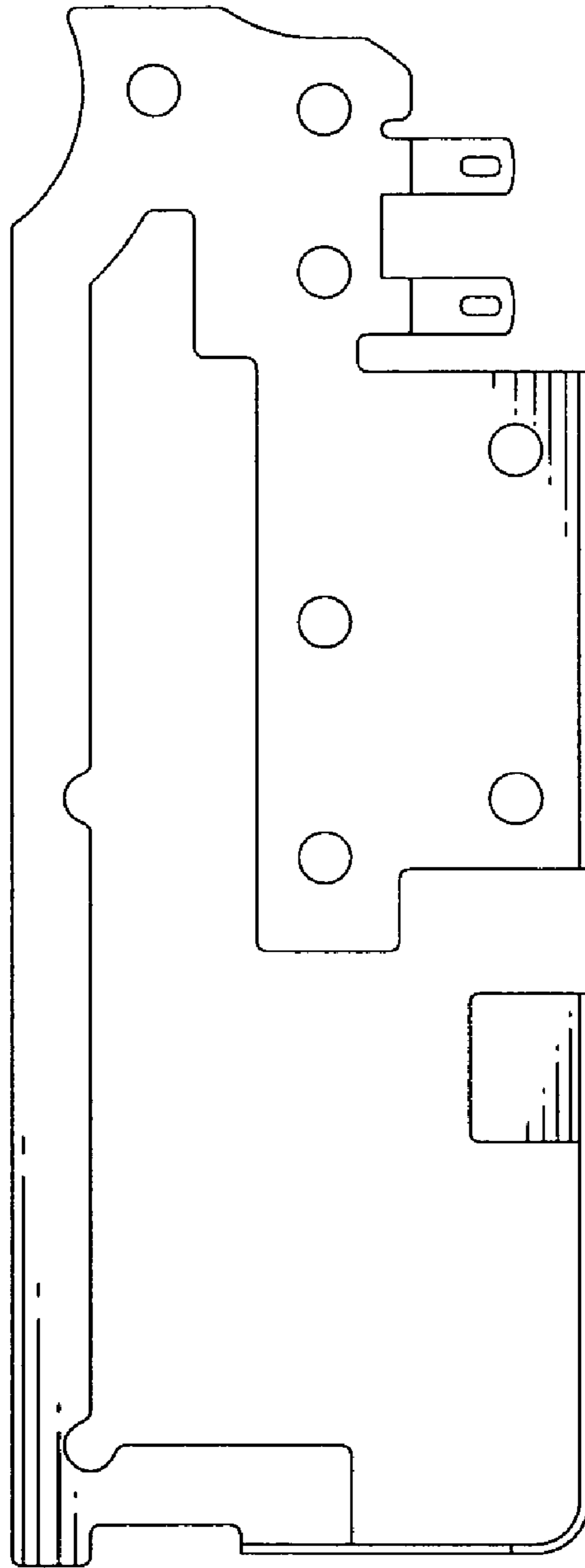


FIG. 7