



US00D608353S

(12) **United States Design Patent**
Tsai

(10) **Patent No.:** **US D608,353 S**
(45) **Date of Patent:** **** Jan. 19, 2010**

(54) **INLINE MICROPHONE FOR EARPHONE**

(75) Inventor: **Danny M. Tsai**, Torrance, CA (US)

(73) Assignee: **Lenntek Corporation**, Torrance, CA (US)

(**) Term: **14 Years**

(21) Appl. No.: **29/335,943**

(22) Filed: **Apr. 24, 2009**

(51) **LOC (9) Cl.** **14-01**

(52) **U.S. Cl.** **D14/228**

(58) **Field of Classification Search** D14/228, D14/225, 226, 227, 168, 197, 192, 218, 212, D14/188, 215, 216, 217, 203.6, 203.1; 181/135, 181/158, 242, 150, 156; 379/430, 431, 444; 381/380, 313, 328, 423, 430; 455/351; D10/104, D10/119; D27/139, 141, 144
See application file for complete search history.

(56) **References Cited**

U.S. PATENT DOCUMENTS

2,406,391	A *	8/1946	Mason	181/158
2,870,856	A *	1/1959	Olson et al.	181/242
2,910,539	A *	10/1959	Hartsfield	381/174
D220,723	S *	5/1971	Abbo	D14/197
3,611,150	A *	10/1971	Timm et al.	455/351
4,447,678	A *	5/1984	Fidi	381/163
D318,670	S *	7/1991	Taniguchi	D14/205
5,222,151	A *	6/1993	Nagayoshi et al.	381/380

D396,860	S *	8/1998	Yasutomi	D14/168
D417,869	S *	12/1999	Yasutomi	D14/168
D430,860	S *	9/2000	Yoon	D14/142
D448,361	S *	9/2001	Bergfeldt	D14/225
D464,952	S *	10/2002	Beraut et al.	D14/225
D501,845	S *	2/2005	Allen	D14/216
D519,491	S *	4/2006	Allen	D14/212
7,286,680	B2 *	10/2007	Steeman et al.	381/369

* cited by examiner

Primary Examiner—Paula Greene

(74) *Attorney, Agent, or Firm*—Fulwider Patton LLP

(57) **CLAIM**

The ornamental design for an inline microphone for earphone, as shown and described.

DESCRIPTION

FIG. 1 is a top perspective view of an inline microphone for earphone showing my new design;

FIG. 2 is an enlarged top perspective view thereof.

FIG. 3 is a left side elevational view thereof, the right side elevational view is a mirror image;

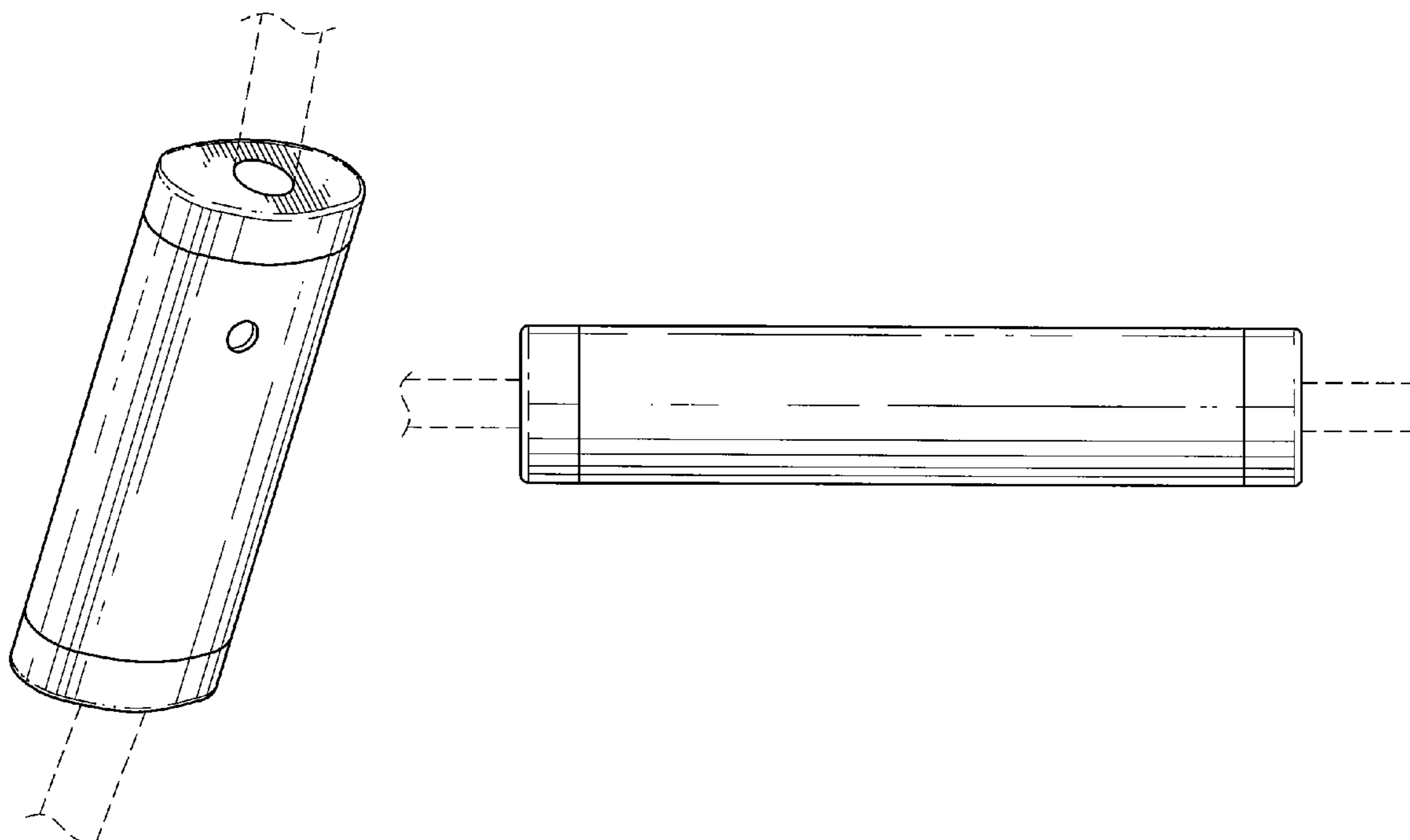
FIG. 4 is a bottom plan view thereof.

FIG. 5 is a front end view thereof, the rear end is a mirror image; and,

FIG. 6 is a top plan view thereof.

The broken lines form no part of the claimed design.

1 Claim, 3 Drawing Sheets



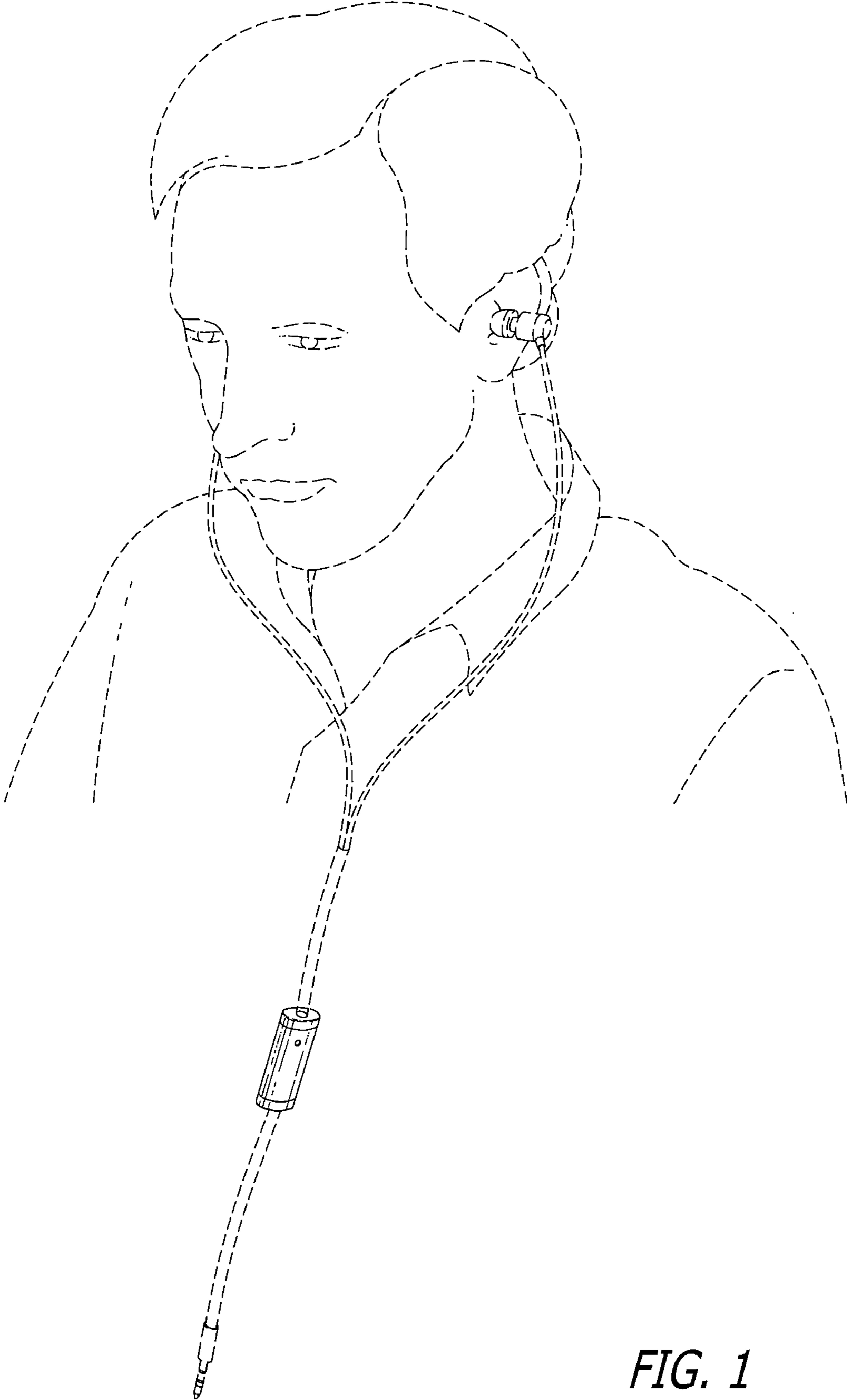


FIG. 1

FIG. 2

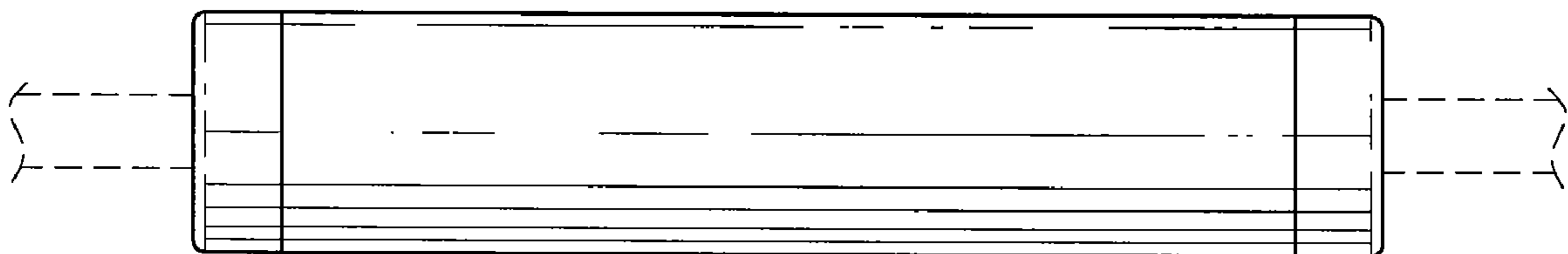
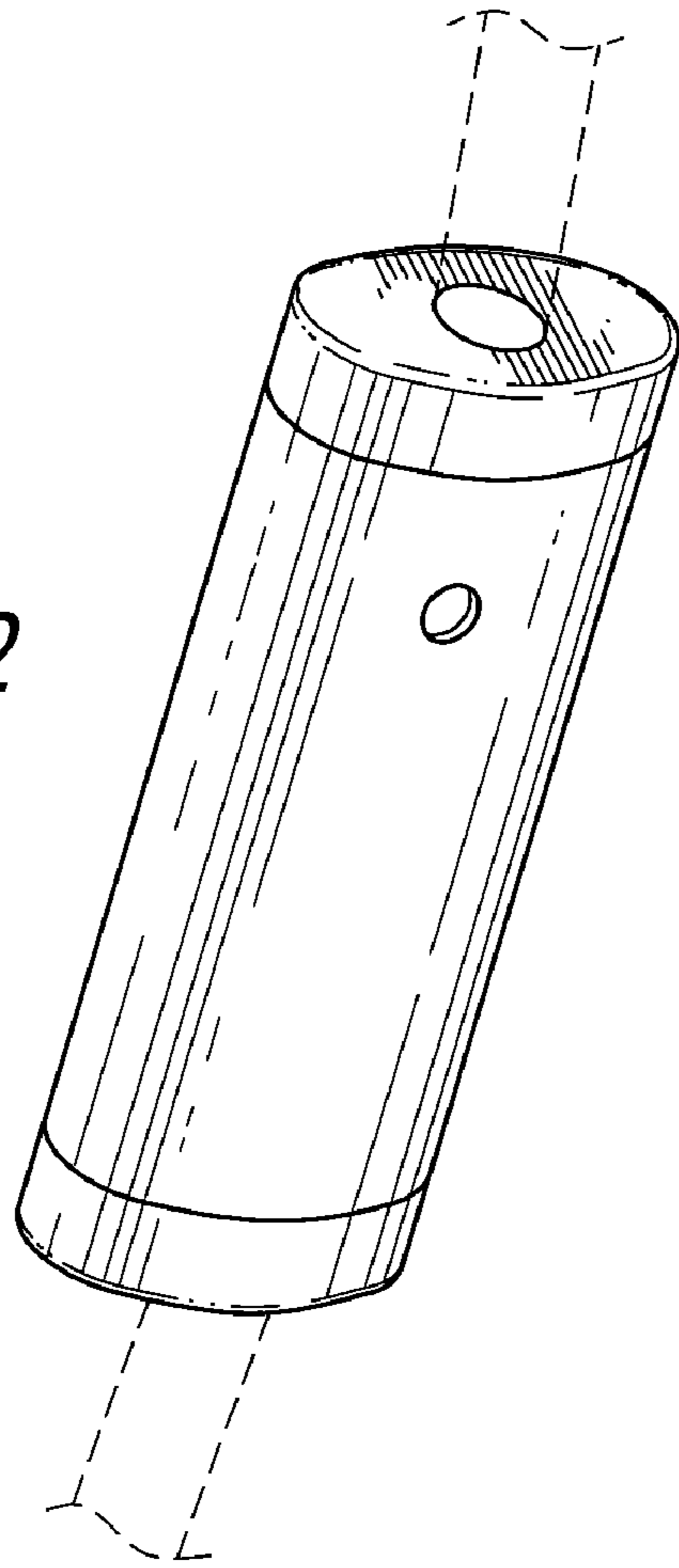


FIG. 3

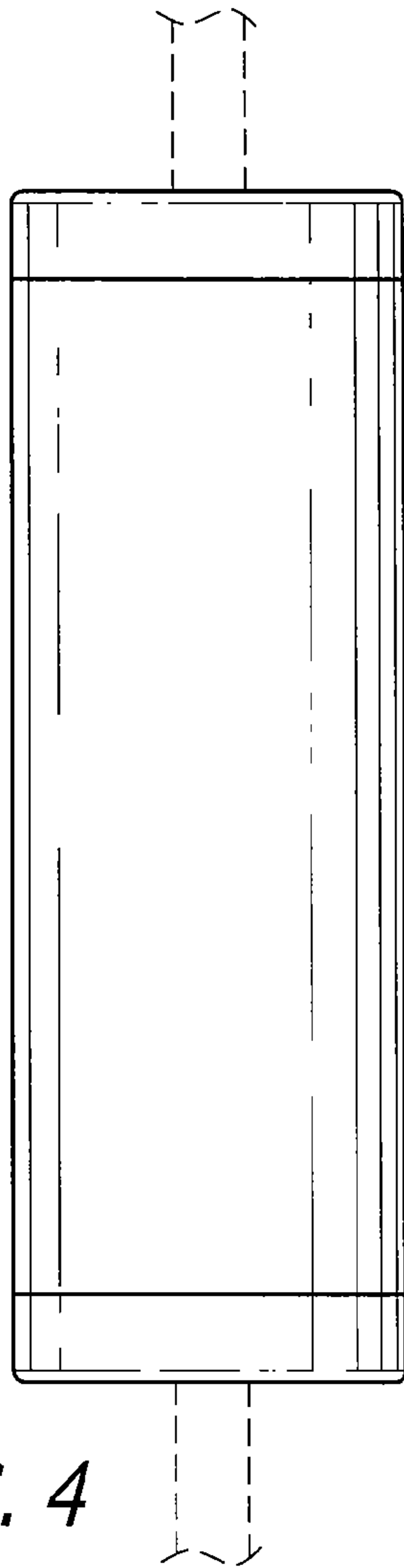


FIG. 4

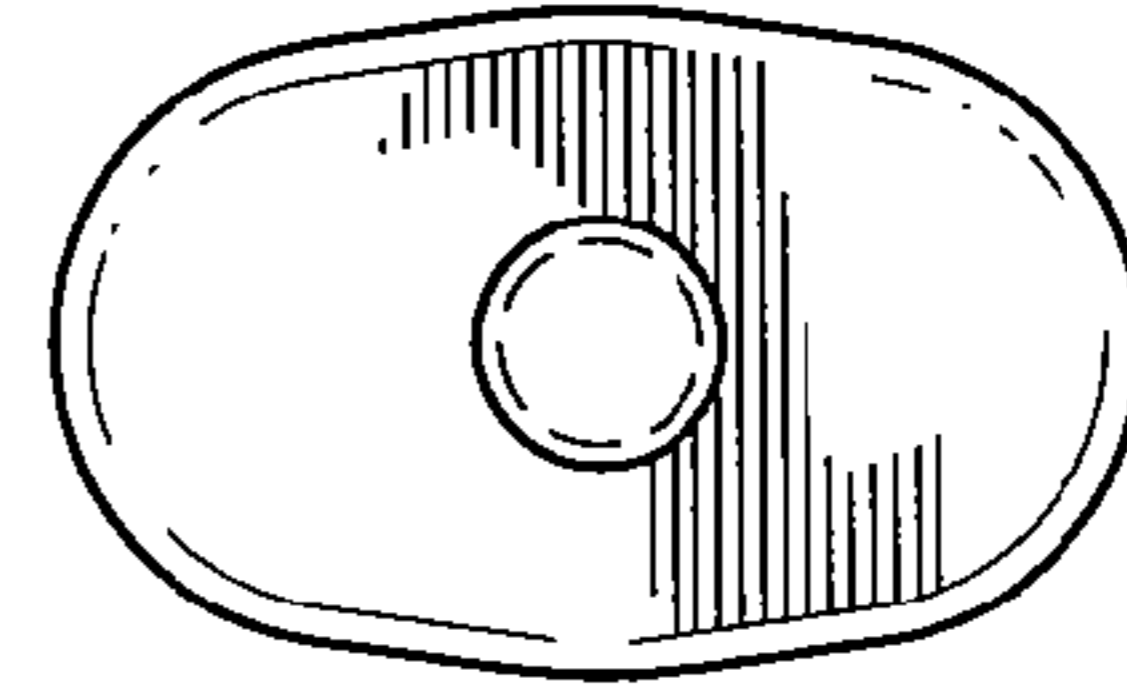


FIG. 5

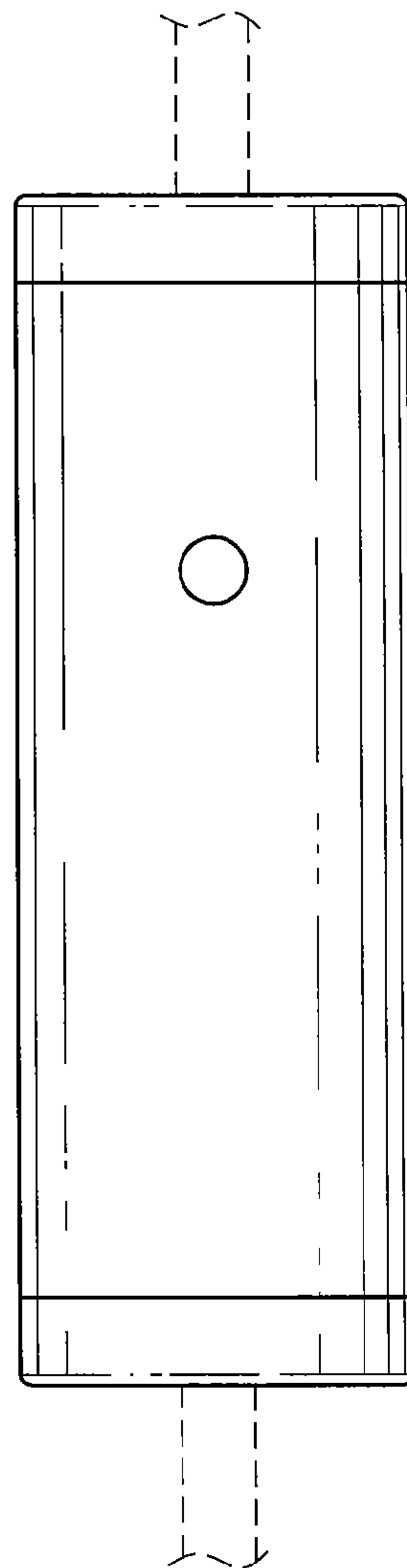


FIG. 6