



US00D608352S

(12) **United States Design Patent**  
**Andre et al.**

(10) **Patent No.:** **US D608,352 S**  
(45) **Date of Patent:** **\*\* Jan. 19, 2010**

(54) **DOCK INSERT**

(75) Inventors: **Bartley K. Andre**, Menlo Park, CA (US); **Daniel J. Coster**, San Francisco, CA (US); **Daniele De Iuliis**, San Francisco, CA (US); **Evans Hankey**, San Francisco, CA (US); **Richard P. Howarth**, San Francisco, CA (US); **Jonathan P. Ive**, San Francisco, CA (US); **Duncan Robert Kerr**, San Francisco, CA (US); **Shin Nishibori**, Portola Valley, CA (US); **Matthew Dean Rohrbach**, San Francisco, CA (US); **Peter Russell-Clarke**, San Francisco, CA (US); **Douglas B. Satzger**, Menlo Park, CA (US); **Christopher J. Stringer**, Woodside, CA (US); **Eugene Antony Whang**, San Francisco, CA (US); **Rico Zorkendorfer**, San Francisco, CA (US)

(73) Assignee: **Apple Inc.**, Cupertino, CA (US)

(\*\*) Term: **14 Years**

(21) Appl. No.: **29/339,823**

(22) Filed: **Jul. 8, 2009**

**Related U.S. Application Data**

(63) Continuation of application No. 29/319,155, filed on Jun. 4, 2008, now Pat. No. Des. 596,161.

(51) **LOC (9) Cl.** ..... **14-03**

(52) **U.S. Cl.** ..... **D14/217**

(58) **Field of Classification Search** ..... D14/142, D14/149, 155, 157, 188, 191-193, 230.1-203.8, D14/217, 251, 253, 432-435.1, 447, 451, D14/496, 474, 480.1-480.7; D13/107, 108, D13/118; D3/218; 248/221.11, 309.1; 320/107, 320/110, 113-115; 361/600, 679, 683, 686; 439/529, 534; 455/556.1-556.2, 557

See application file for complete search history.

(56) **References Cited**

**U.S. PATENT DOCUMENTS**

5,233,281 A 8/1993 Chiang et al.  
5,280,229 A 1/1994 Faude et al.  
5,742,149 A 4/1998 Simpson  
5,926,005 A 7/1999 Holcomb et al.  
7,075,579 B2 7/2006 Whitby et al.  
7,145,603 B2 12/2006 Whitby et al.

(Continued)

**FOREIGN PATENT DOCUMENTS**

TW 390779 5/2000

**OTHER PUBLICATIONS**

International Search Report for Taiwanese Application No. 097306651, dated May 24, 2009.

*Primary Examiner*—Stella M Reid

*Assistant Examiner*—Keli L Hill

(74) *Attorney, Agent, or Firm*—Sterne, Kessler, Goldstein & Fox P.L.L.C.

(57) **CLAIM**

The ornamental design for a dock insert, as shown and described.

**DESCRIPTION**

FIG. 1 is a top perspective view of a dock insert showing our new design;

FIG. 2 is a bottom rear perspective view thereof;

FIG. 3 is a rear view thereof;

FIG. 4 is a front view thereof;

FIG. 5 is a left side view thereof;

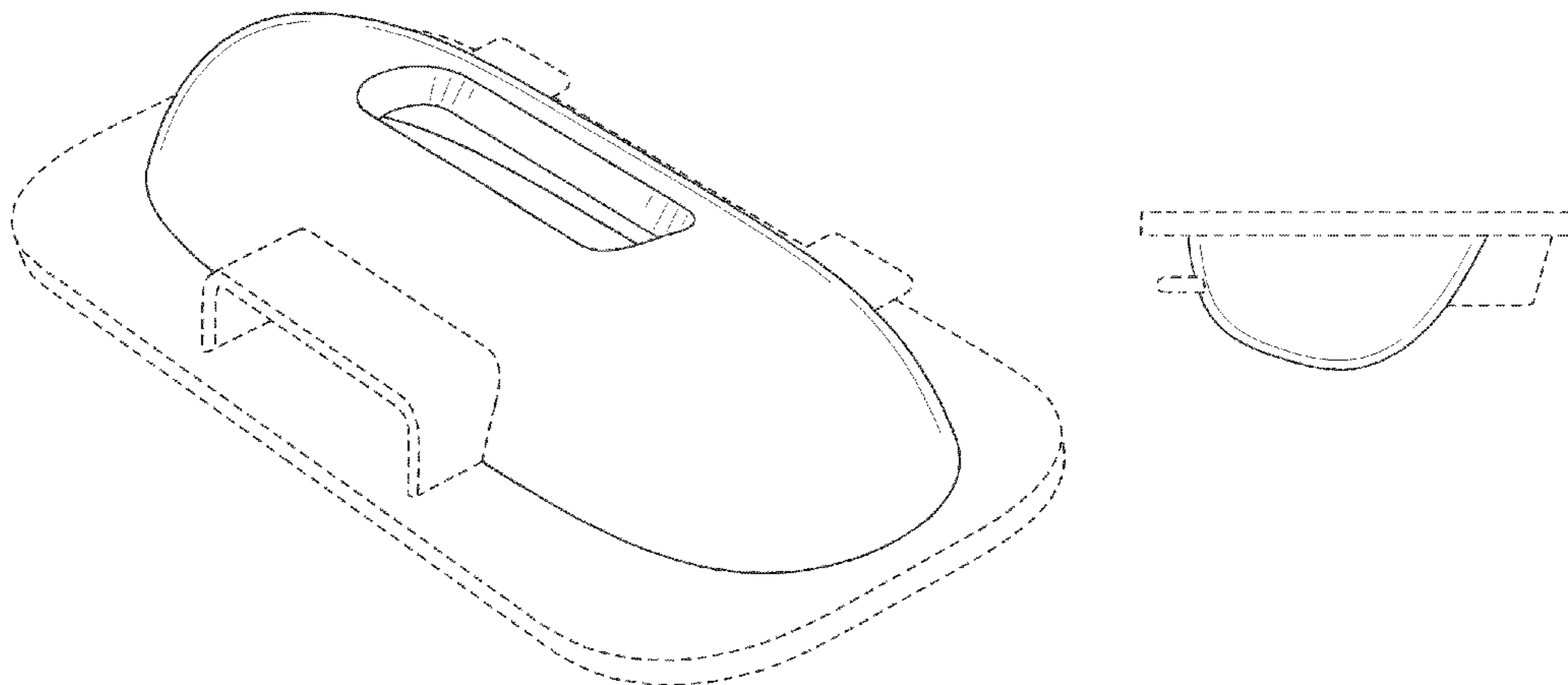
FIG. 6 is a right side view thereof;

FIG. 7 is a top plan view thereof; and,

FIG. 8 is a bottom plan view thereof.

The broken lines in the Figures show portions of the dock insert which form no part of the claimed design.

**1 Claim, 3 Drawing Sheets**



# US D608,352 S

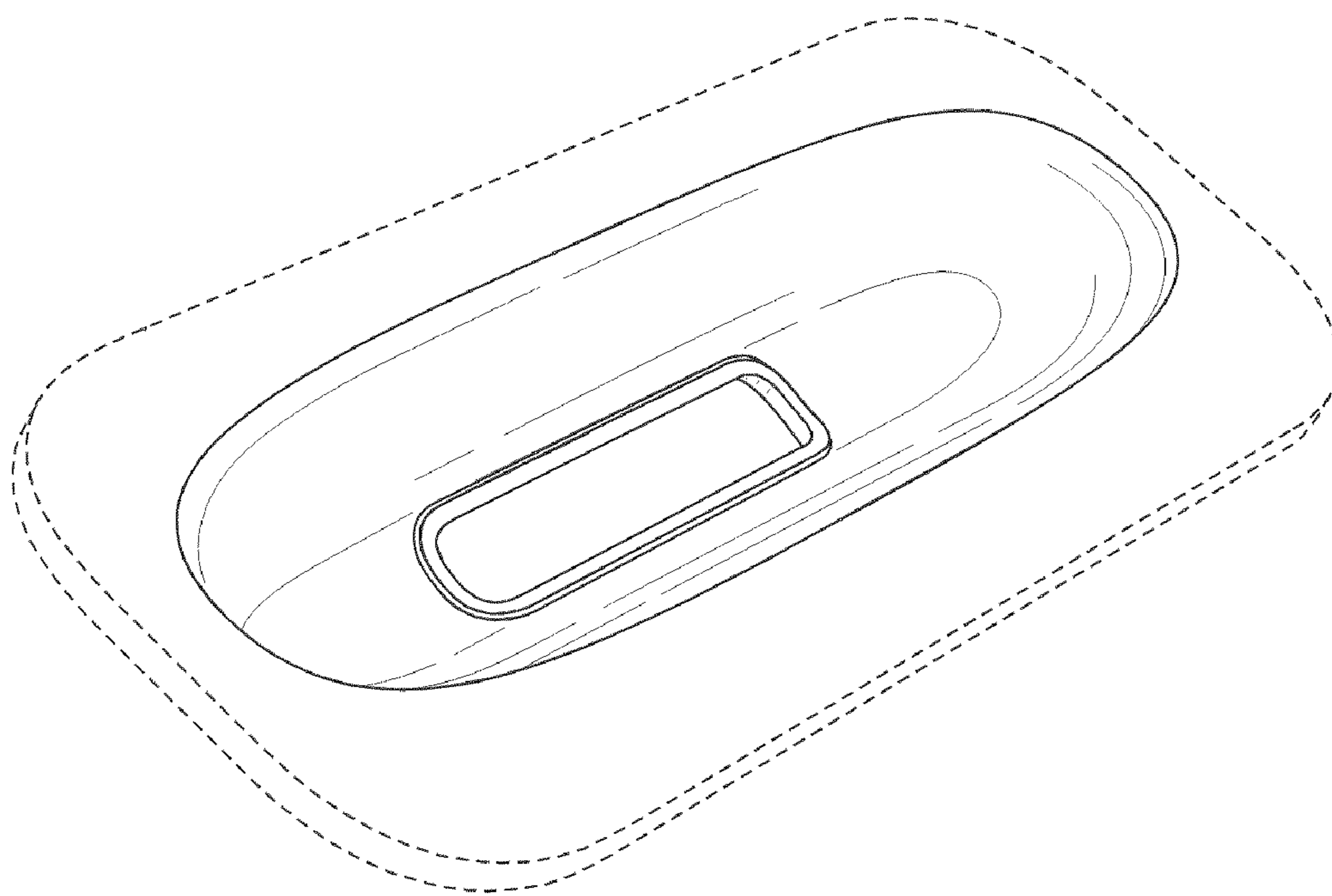
Page 2

---

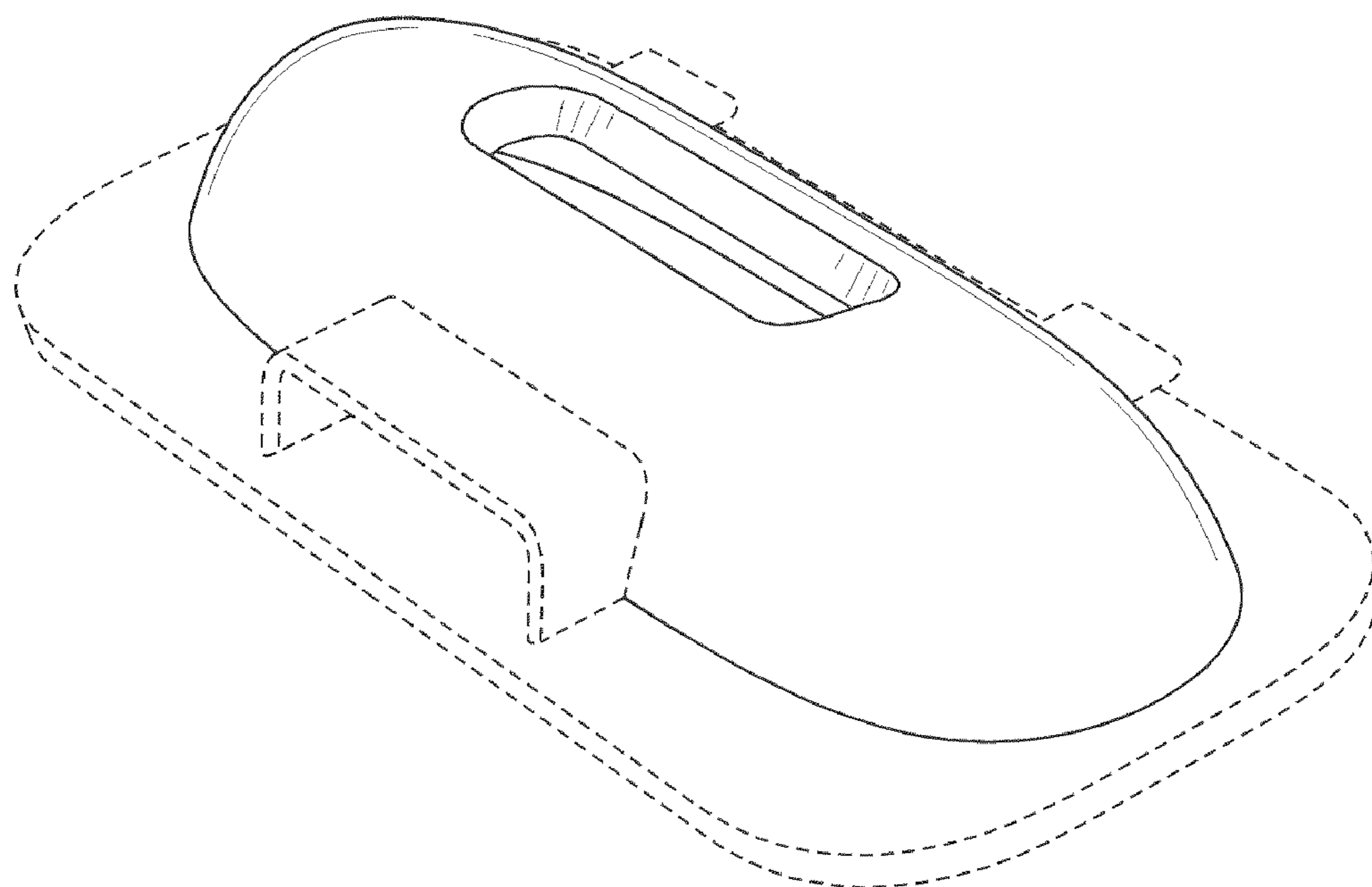
## U.S. PATENT DOCUMENTS

|            |         |              |                 |         |                   |               |
|------------|---------|--------------|-----------------|---------|-------------------|---------------|
| D551,212 S | 9/2007  | Andre et al. | D578,512 S      | 10/2008 | Andre et al.      |               |
| D551,213 S | 9/2007  | Andre et al. | D584,313 S      | 1/2009  | Pittel et al.     |               |
| D552,085 S | 10/2007 | Andre et al. | D595,265 S *    | 6/2009  | Andre et al.      | ..... D14/217 |
| D558,738 S | 1/2008  | Andre et al. | D595,266 S *    | 6/2009  | Andre et al.      | ..... D14/217 |
| D568,297 S | 5/2008  | Andre et al. | D596,161 S      | 7/2009  | Andre et al.      |               |
| D570,335 S | 6/2008  | Andre et al. | D597,079 S *    | 7/2009  | Andre et al.      | ..... D14/217 |
| D578,110 S | 10/2008 | Andre et al. | 2007/0047198 A1 | 3/2007  | Crooijmans et al. |               |

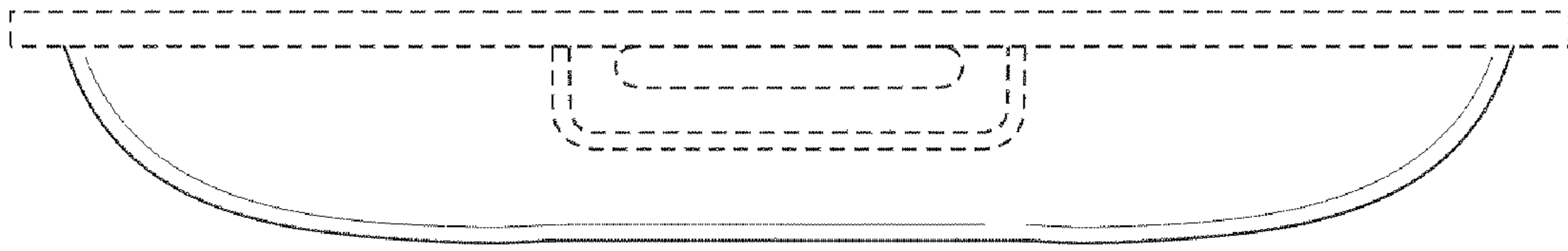
\* cited by examiner



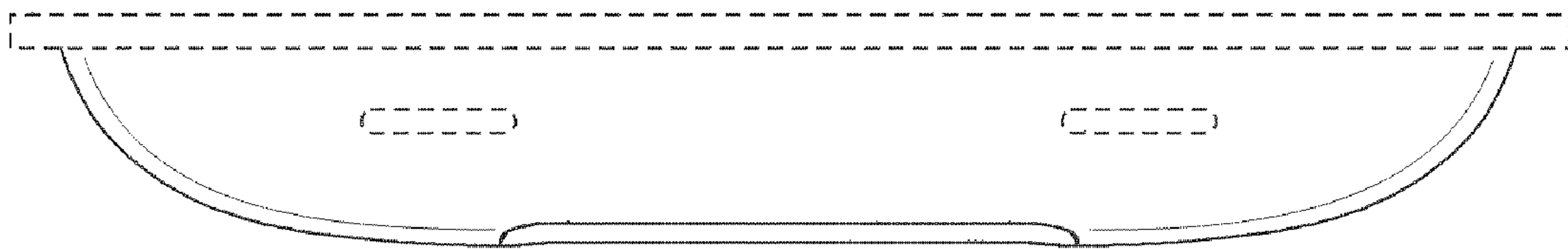
**FIG. 1**



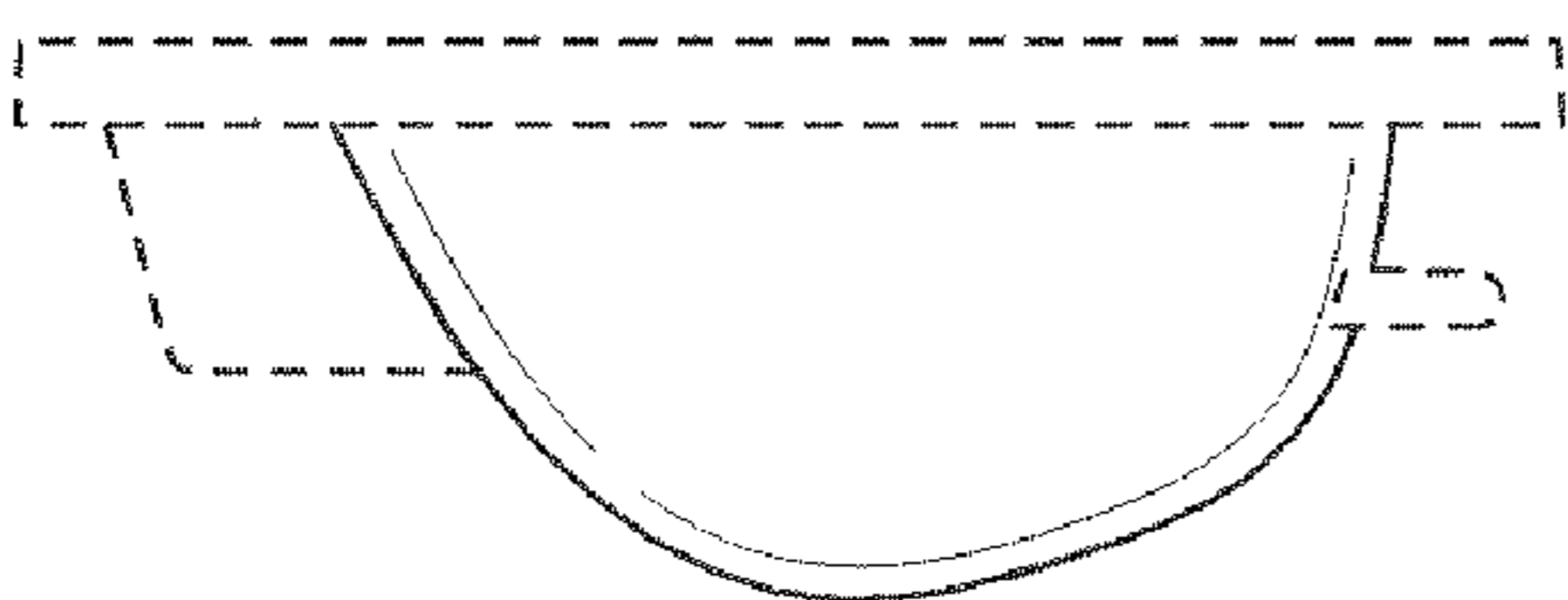
**FIG. 2**



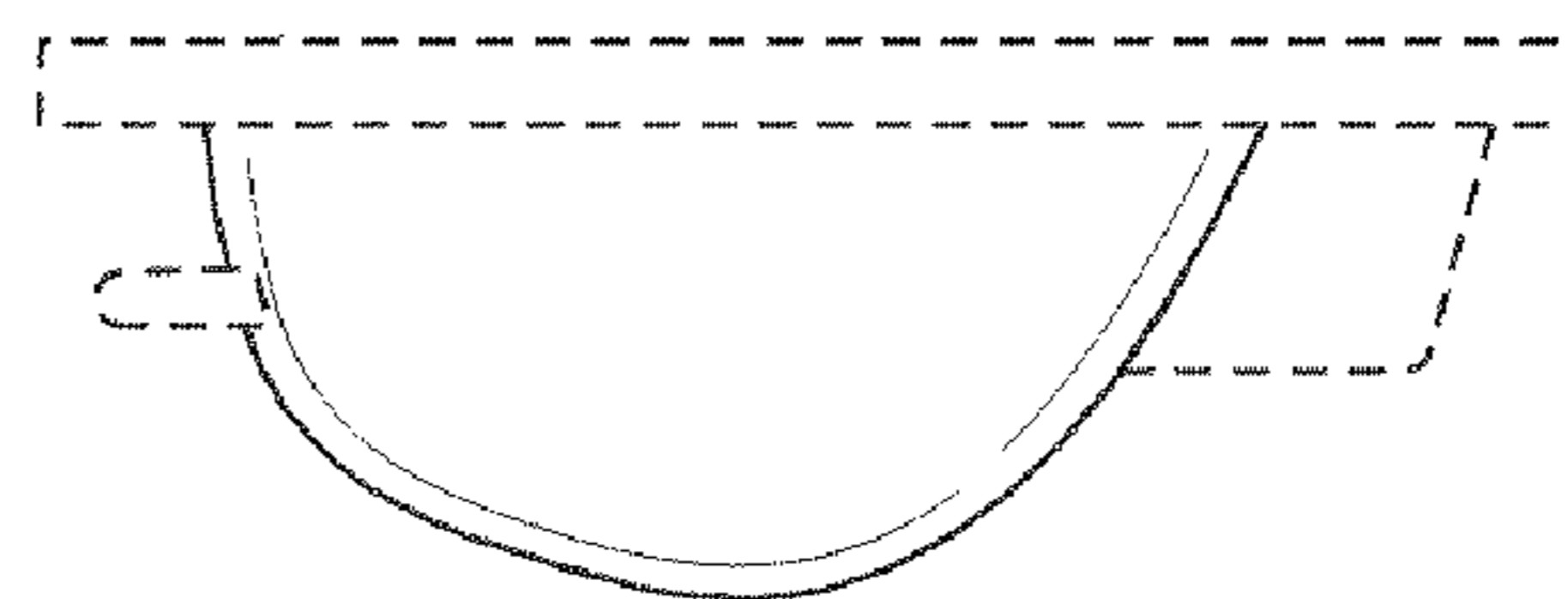
**FIG. 3**



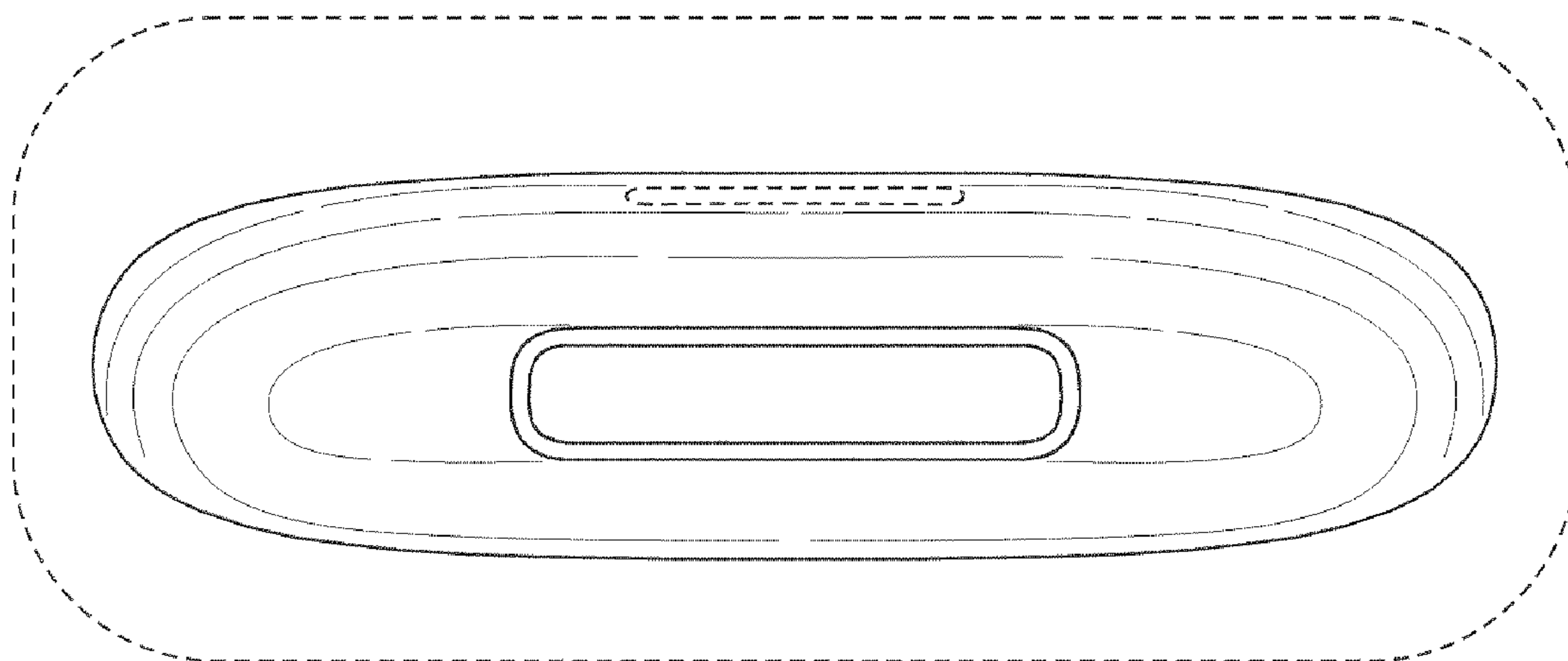
**FIG. 4**



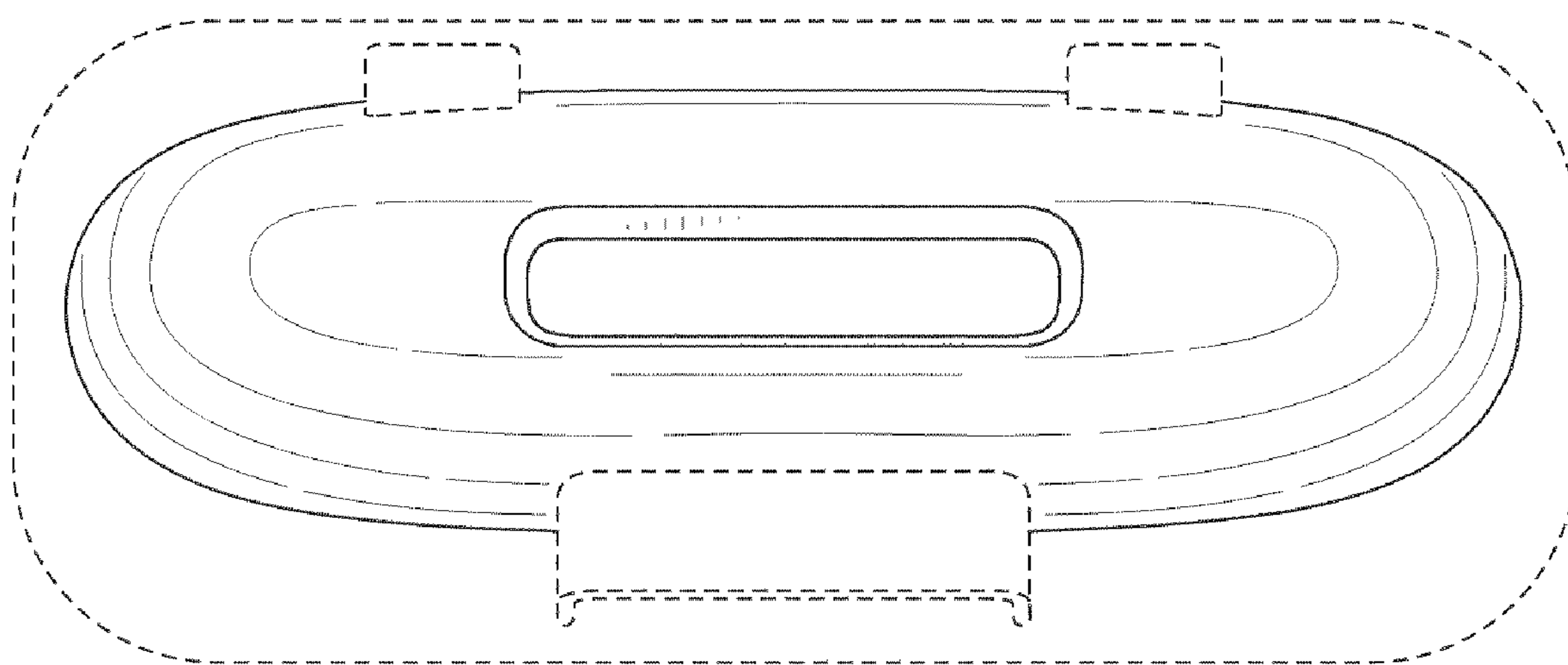
**FIG. 5**



**FIG. 6**



**FIG. 7**



**FIG. 8**