



US00D608351S

(12) **United States Design Patent**
Song

(10) **Patent No.:** **US D608,351 S**
(45) **Date of Patent:** **** Jan. 19, 2010**

(54) **DOCKING STATION**

(75) Inventor: **David Tan Qing Song**, Fu Lian District (CN)

(73) Assignee: **Teleway Industrial Ltd.**, Shenzhen (CN)

(**) Term: **14 Years**

(21) Appl. No.: **29/339,146**

(22) Filed: **Jun. 24, 2009**

(51) **LOC (9) Cl.** **14-03**

(52) **U.S. Cl.** **D14/217; D13/108**

(58) **Field of Classification Search** D14/142, D14/149, 155, 157, 188, 191–193, 230.1–203.8, D14/217, 251, 253, 432–435.1, 447, 451, D14/496; D13/107, 108, 118; 455/556.1–556.2, 455/557; 248/221.11, 309.1; 320/107, 110, 320/113–115; 361/600; 439/529, 534
See application file for complete search history.

(56) **References Cited**

U.S. PATENT DOCUMENTS

D494,182 S *	8/2004	Singer et al.	D14/451
D510,091 S *	9/2005	Mori et al.	D14/434
D554,107 S *	10/2007	Calco et al.	D14/217
D554,115 S *	10/2007	Liu et al.	D13/108
D554,116 S *	10/2007	Liu et al.	D13/108

D561,182 S *	2/2008	Jenkins et al.	D14/149
D579,917 S *	11/2008	Marchand et al.	D14/217
D584,731 S *	1/2009	Montgomery et al.	D14/434
D589,876 S *	4/2009	Hong et al.	D13/108

* cited by examiner

Primary Examiner—Stella M Reid

Assistant Examiner—Keli L Hill

(74) *Attorney, Agent, or Firm*—Christie, Parker & Hale, LLP.

(57) **CLAIM**

The ornamental design for docking station, as shown and described.

DESCRIPTION

FIG. 1 is a top front left side isometric view of an docking station showing my new design;

FIG. 2 is a top view thereof;

FIG. 3 is a bottom view thereof;

FIG. 4 is a front view thereof;

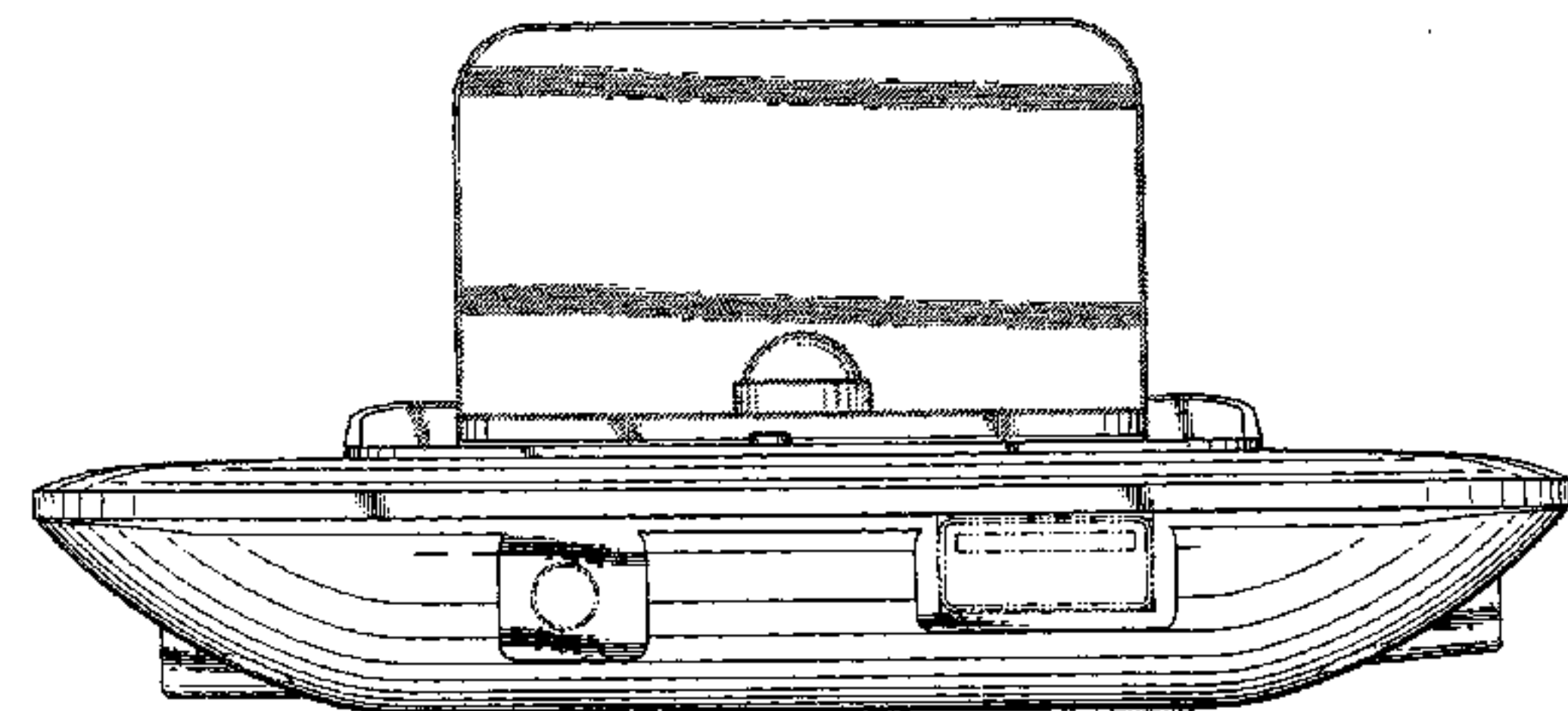
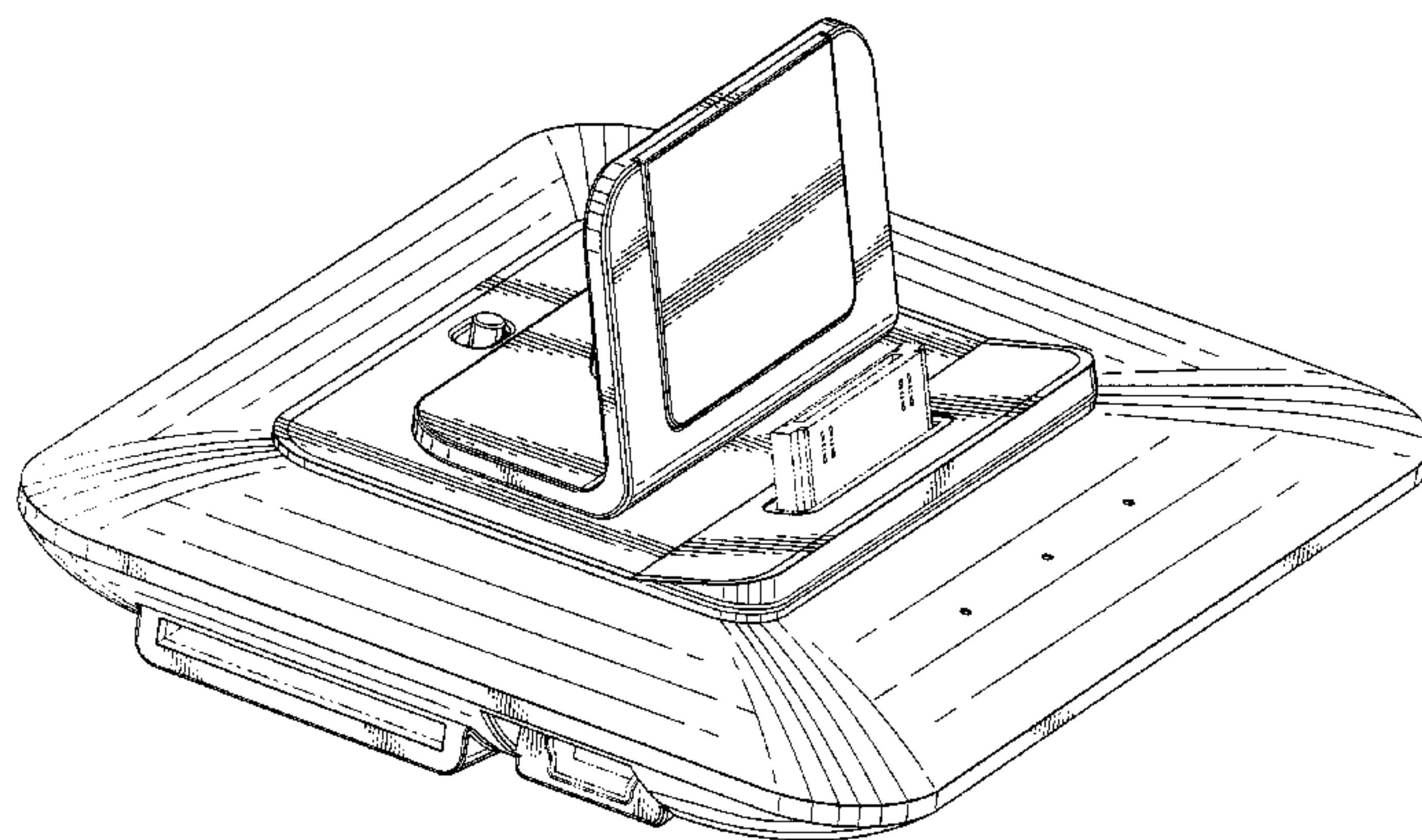
FIG. 5 is a rear view thereof;

FIG. 6 is a right side view thereof; and,

FIG. 7 is a left side view thereof.

The broken lines shown in the drawings disclosure are for illustrative purposes only and form no part of the claimed design.

1 Claim, 7 Drawing Sheets



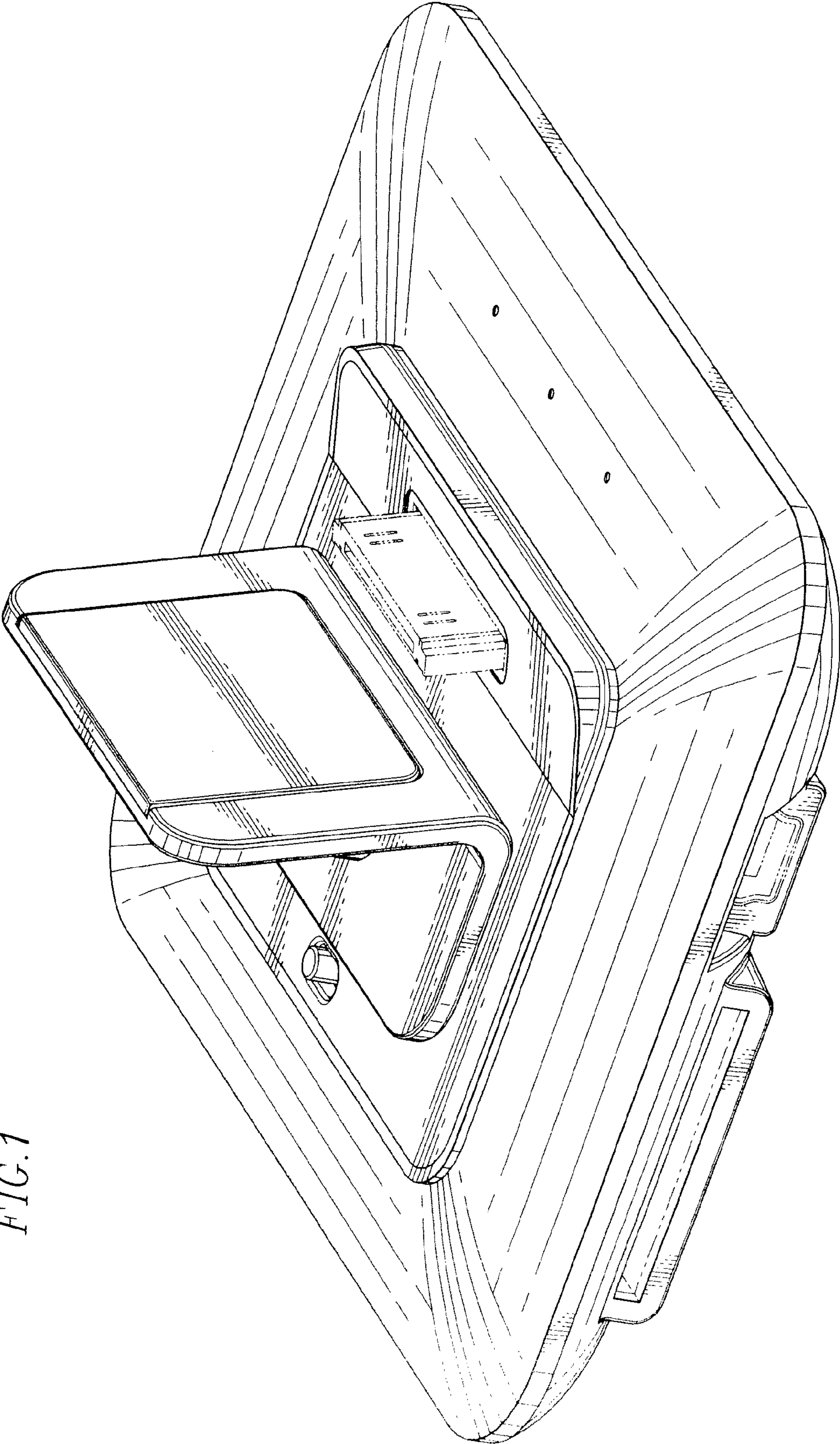


FIG. 1

FIG. 2

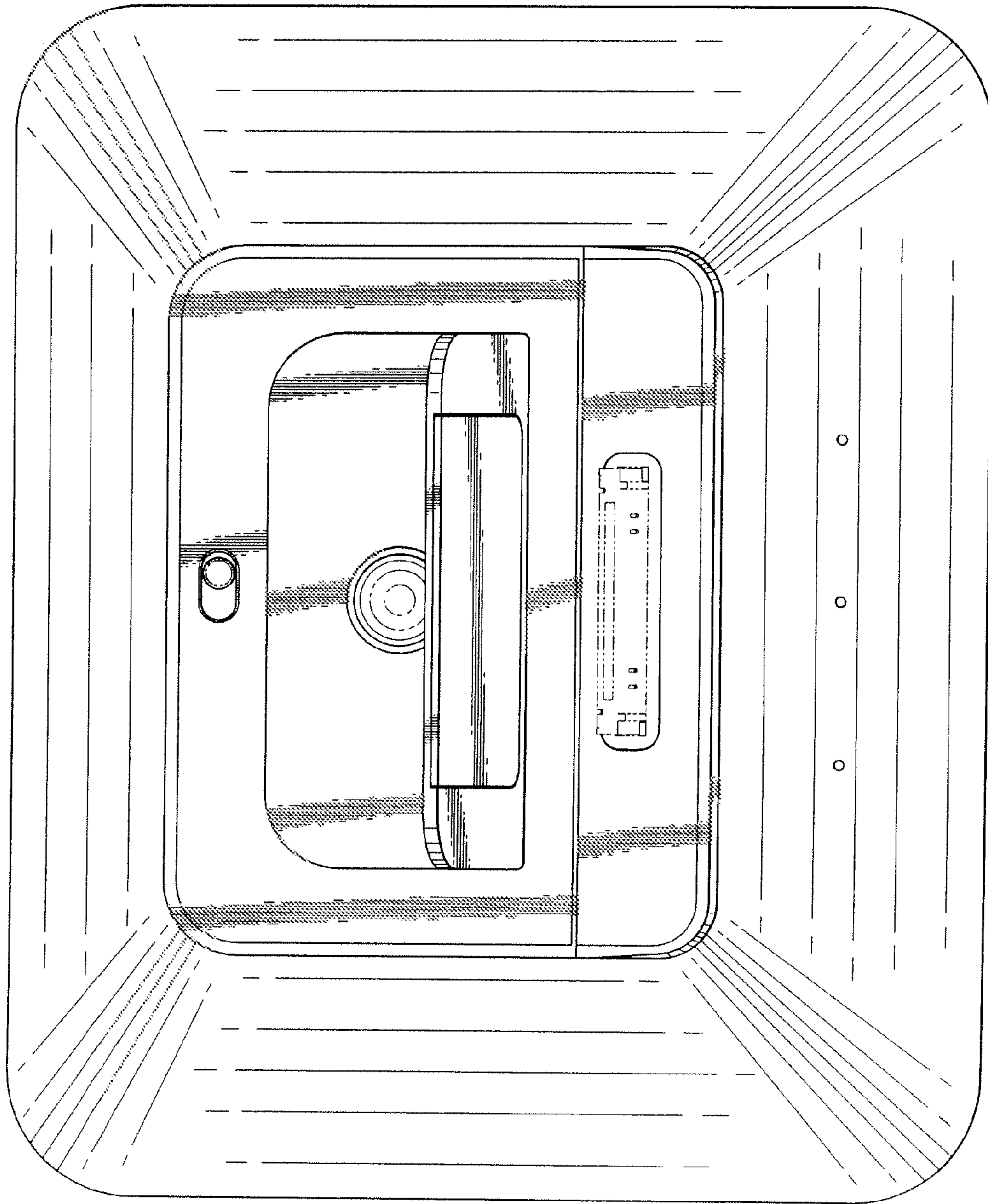


FIG. 3

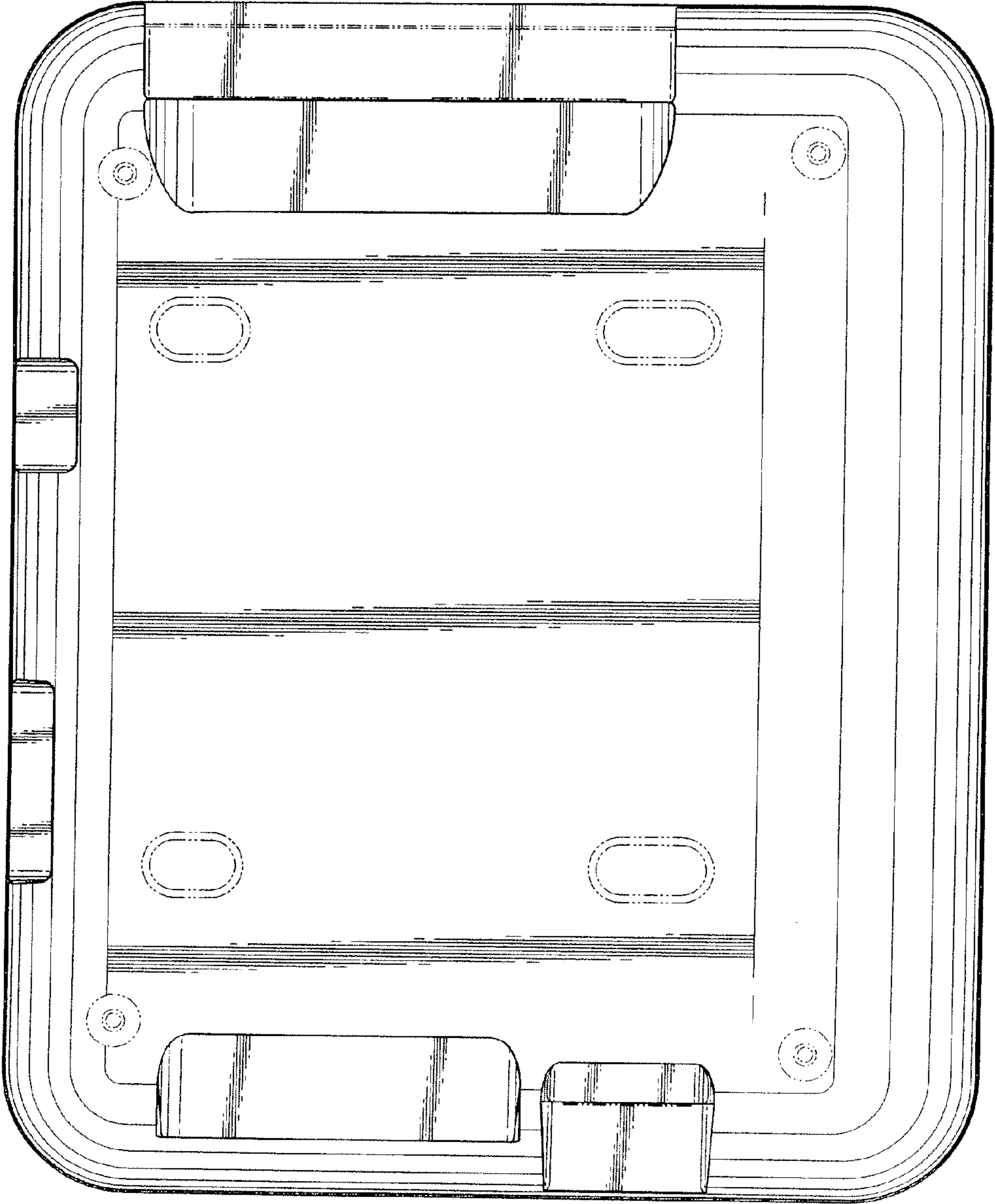


FIG. 4

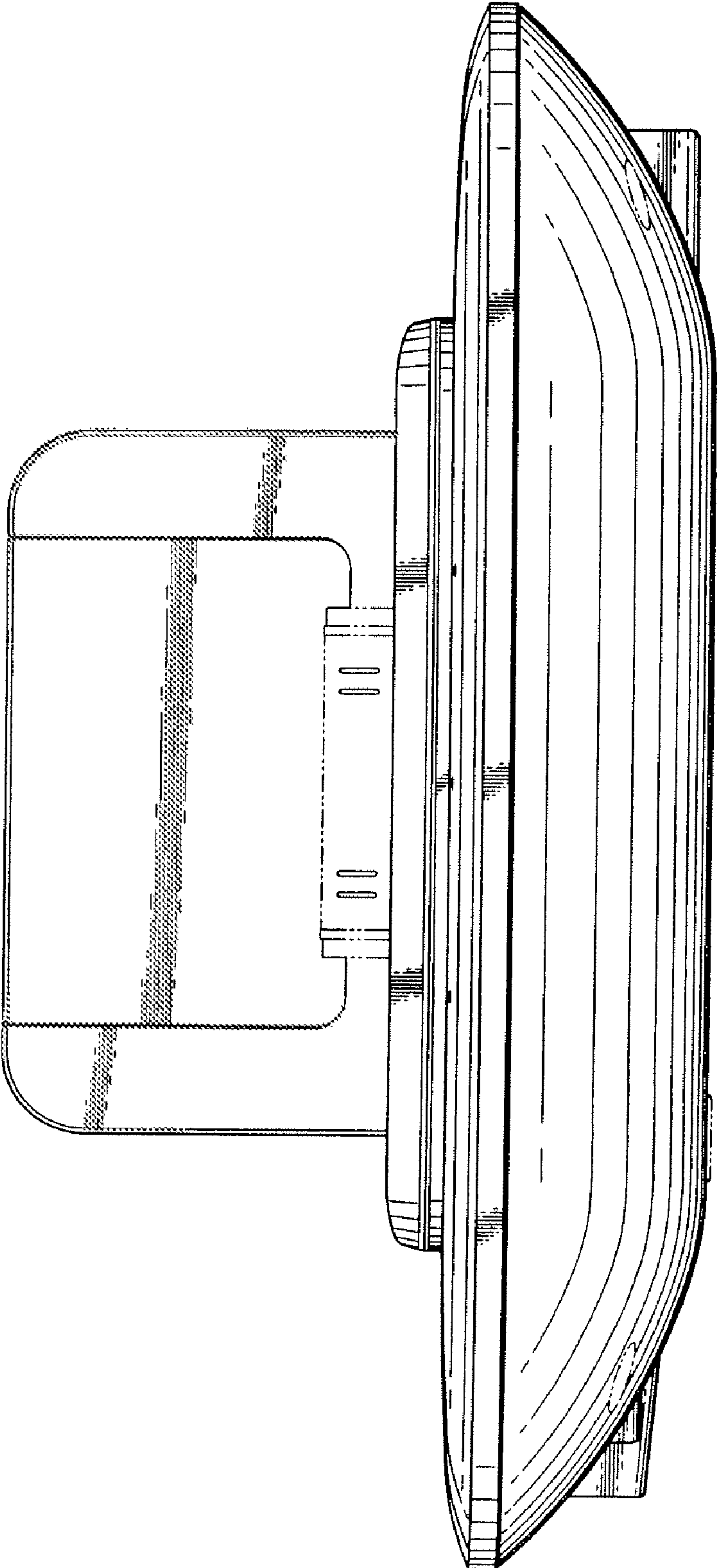


FIG. 5

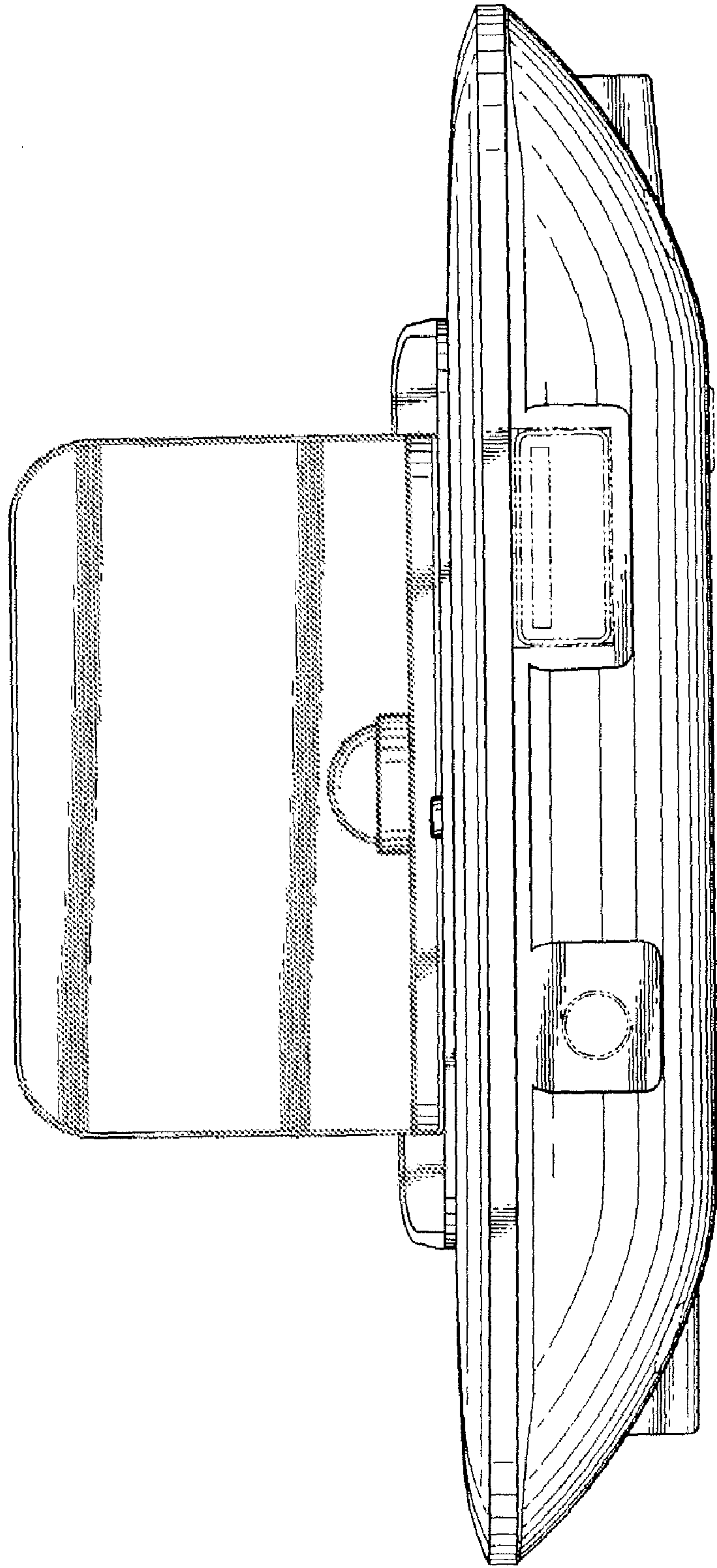


FIG. 6

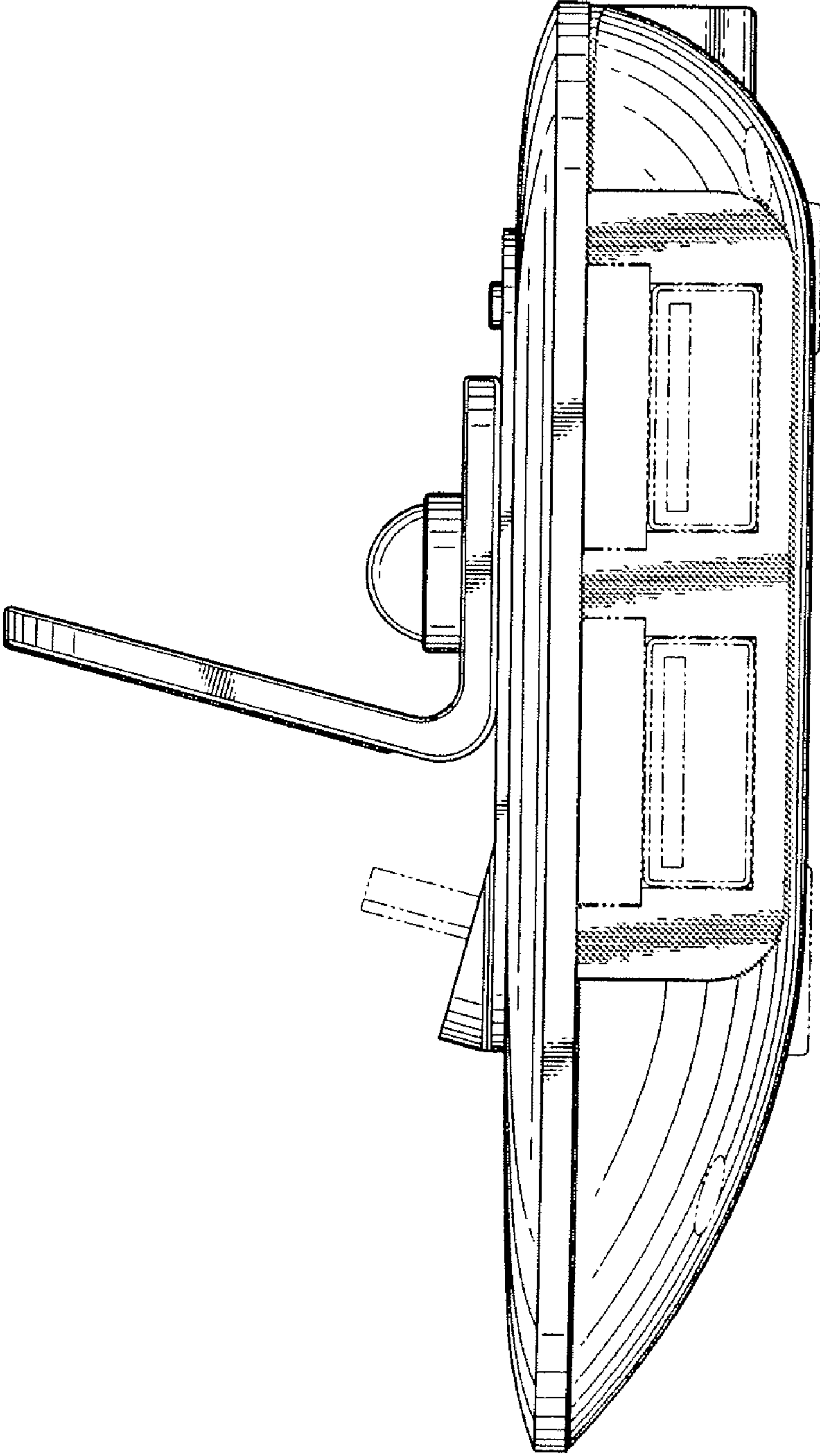


FIG. 7

