



US00D608350S

(12) **United States Design Patent**
Bo

(10) **Patent No.:** **US D608,350 S**
(45) **Date of Patent:** **** Jan. 19, 2010**

(54) **AV DOCKING STATION**

(75) Inventor: **Qu Bo**, Shenzhen (CN)

(73) Assignee: **Teleway Industrial Ltd.**, Shenzhen (CN)

(**) Term: **14 Years**

(21) Appl. No.: **29/332,578**

(22) Filed: **Feb. 19, 2009**

(51) **LOC (9) Cl.** **14-03**

(52) **U.S. Cl.** **D14/217; D13/108**

(58) **Field of Classification Search** D14/142,
D14/149, 155, 157, 188, 191–193, 230.1–203.8,
D14/217, 251, 253, 432–435.1, 447, 451,
D14/496; D13/107, 108, 118; 455/556.1–556.2,
455/557; 248/221.11, 309.1; 320/107, 110,
320/113–115; 361/600; 439/529, 534
See application file for complete search history.

(56) **References Cited**

U.S. PATENT DOCUMENTS

D369,344 S * 4/1996 Lindeman et al. D13/108
D400,589 S * 11/1998 Ham D19/84
D442,141 S * 5/2001 Ikenaga D13/107
D463,361 S * 9/2002 Ruohonen D13/108
D474,737 S * 5/2003 Yoshida D13/108
D477,823 S * 7/2003 Lavello, Sr. D14/253
D488,440 S * 4/2004 Senda D13/108

D489,323 S * 5/2004 Yoshida D13/108
D535,615 S * 1/2007 Iwai D13/108
D551,214 S * 9/2007 Hussaini et al. D14/217
D561,182 S * 2/2008 Jenkins et al. D14/253
D588,578 S * 3/2009 Donovan et al. D14/217

* cited by examiner

Primary Examiner—Stella M Reid

Assistant Examiner—Keli L Hill

(74) *Attorney, Agent, or Firm*—Christie, Parker & Hale, LLP

(57) **CLAIM**

The ornamental design for AV docking station, as shown and described.

DESCRIPTION

FIG. 1 is a top front left side isometric view of an AV docking station showing my new design;

FIG. 2 is a top view thereof;

FIG. 3 is a bottom view thereof;

FIG. 4 is a front view thereof;

FIG. 5 is a rear view thereof;

FIG. 6 is a right side view thereof; and,

FIG. 7 is a left side view thereof.

The broken lines shown in the drawings disclosure are for illustrative purposes only and form no part of the claimed design.

1 Claim, 7 Drawing Sheets

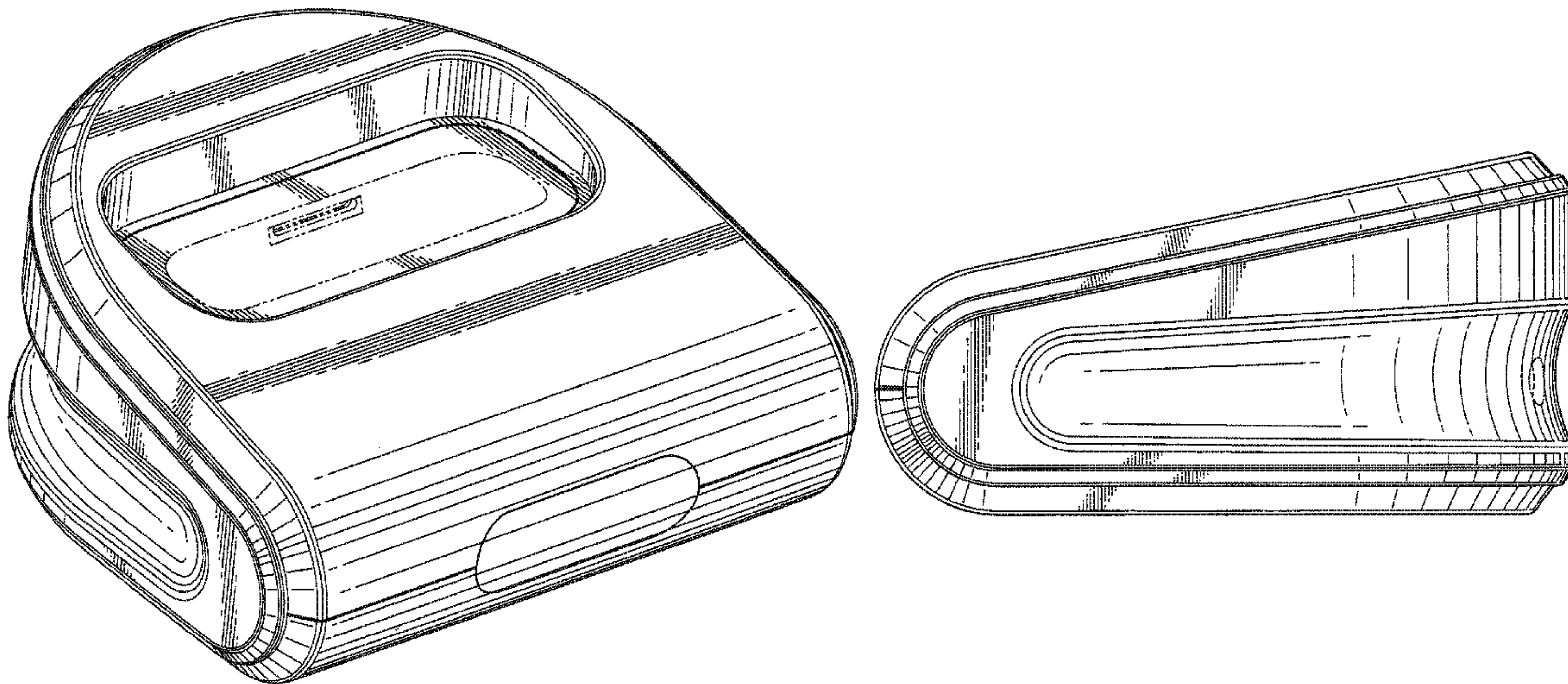
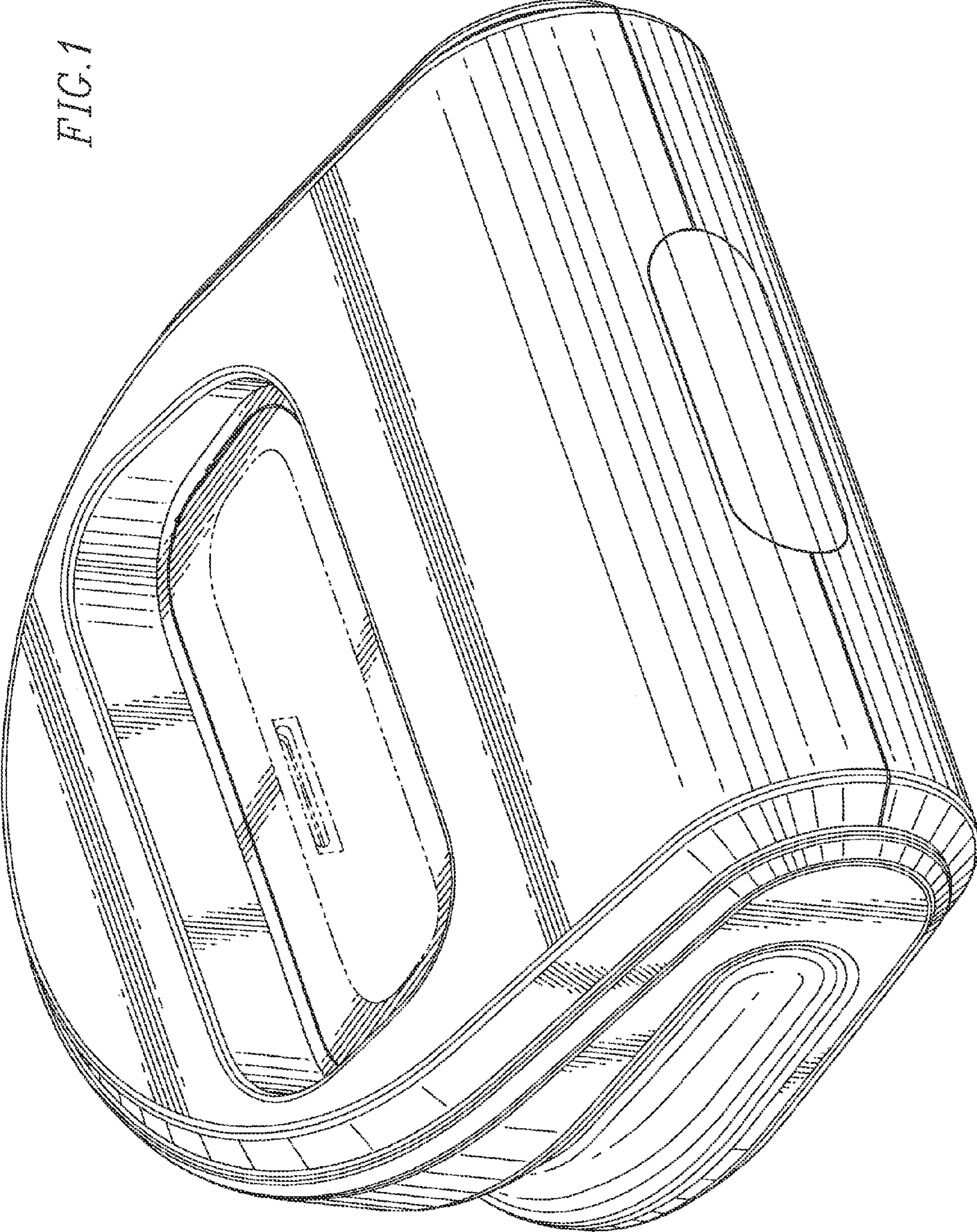


FIG. 1



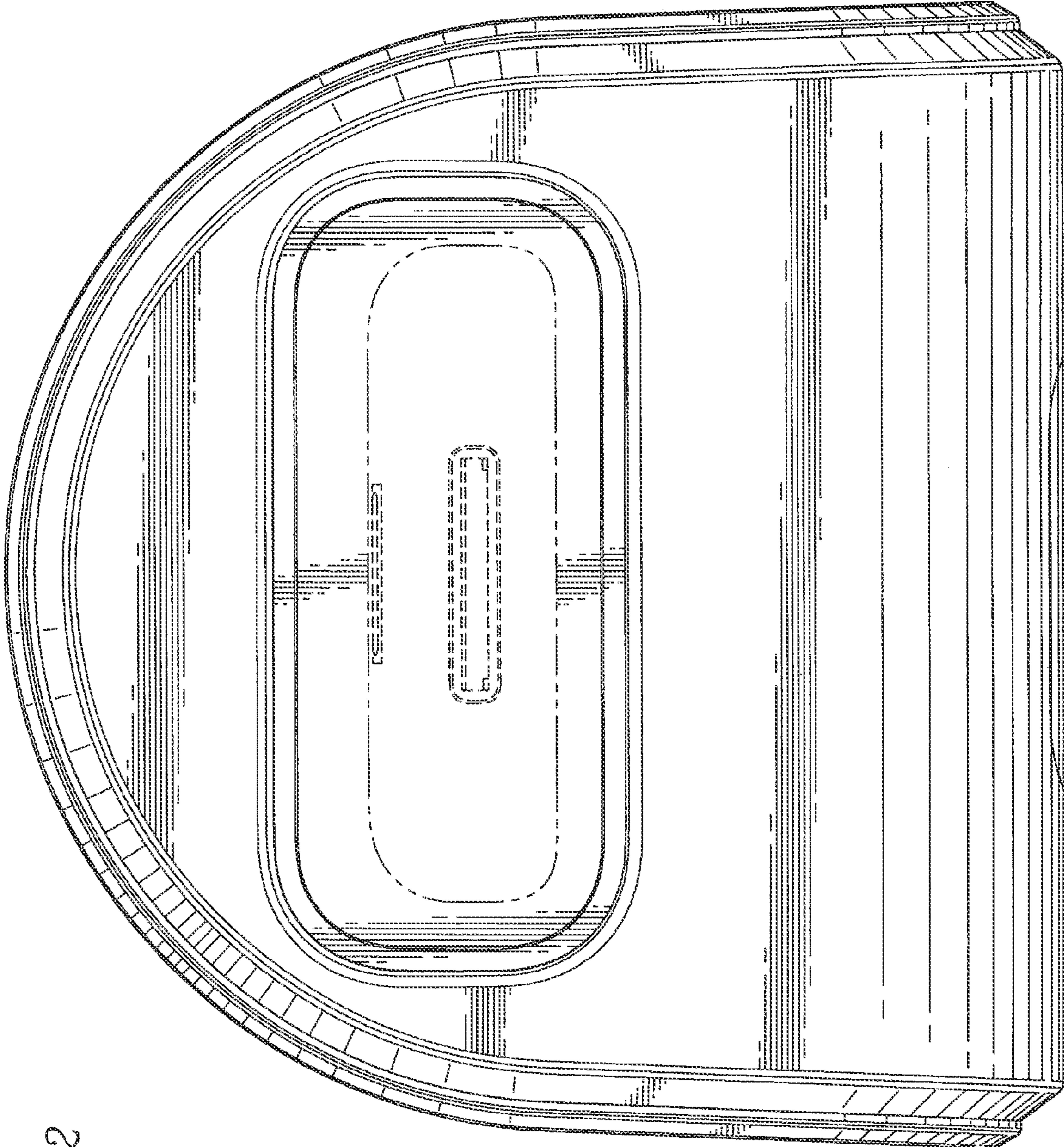


FIG. 2

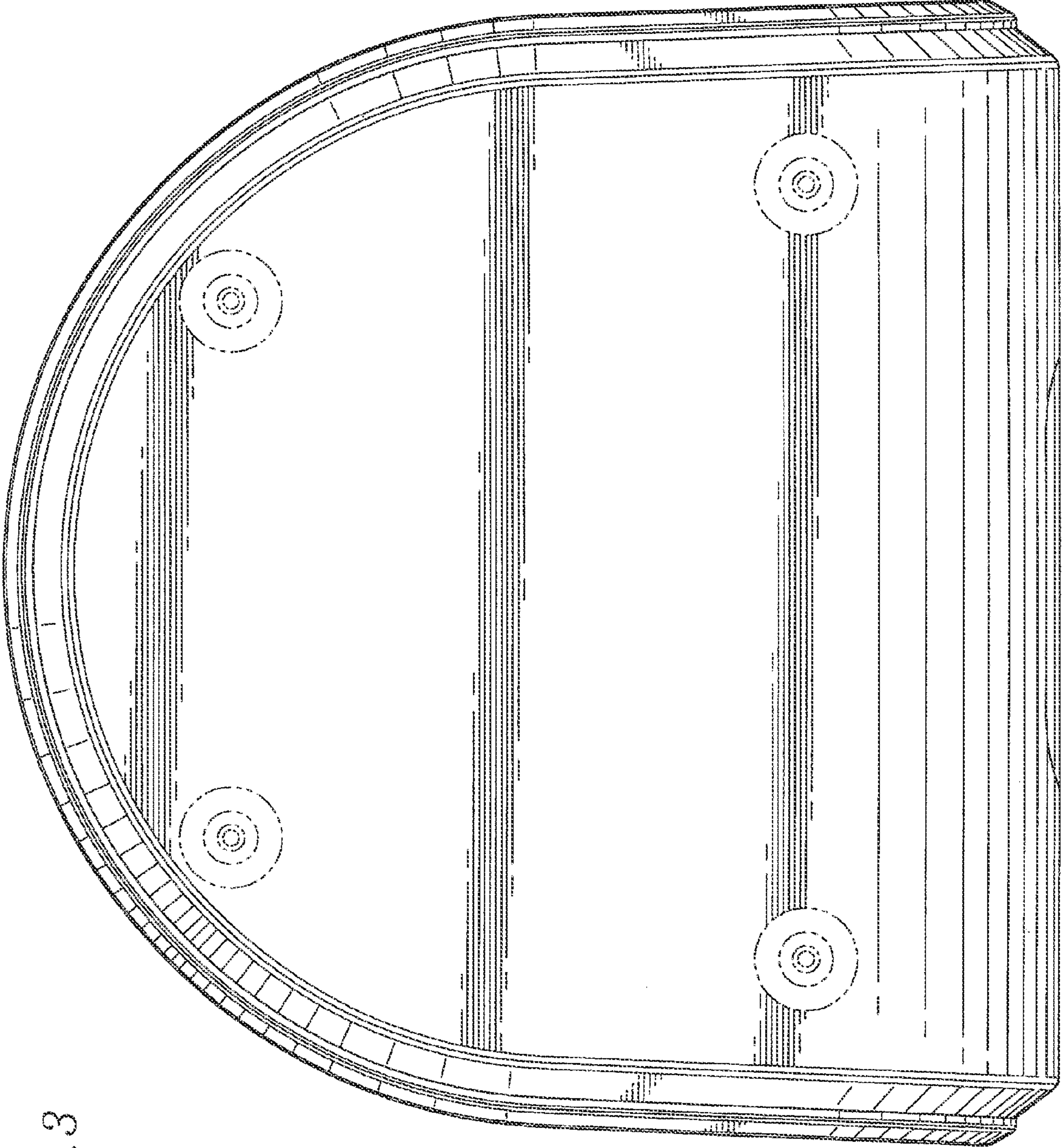


FIG. 3

FIG. 4

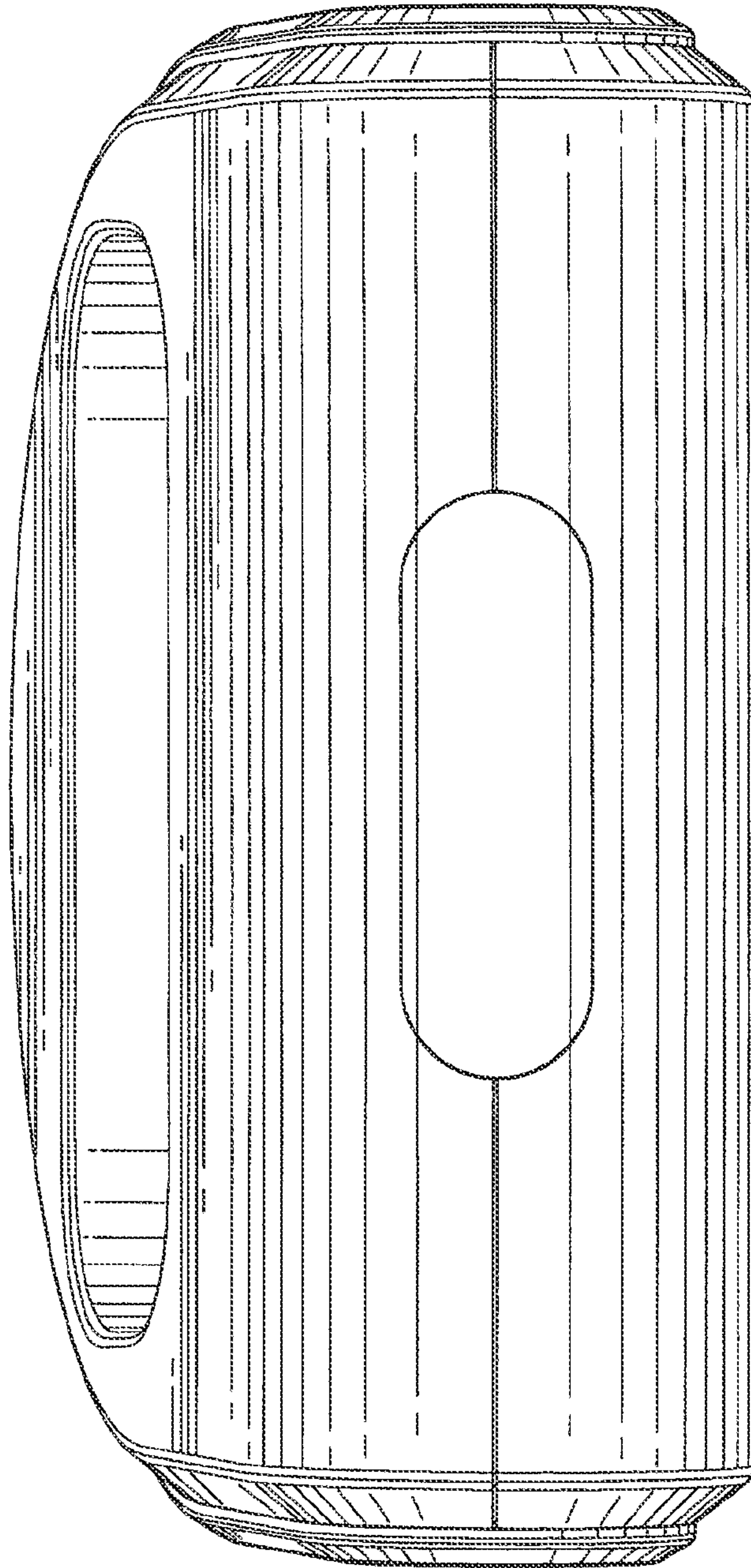


FIG. 5

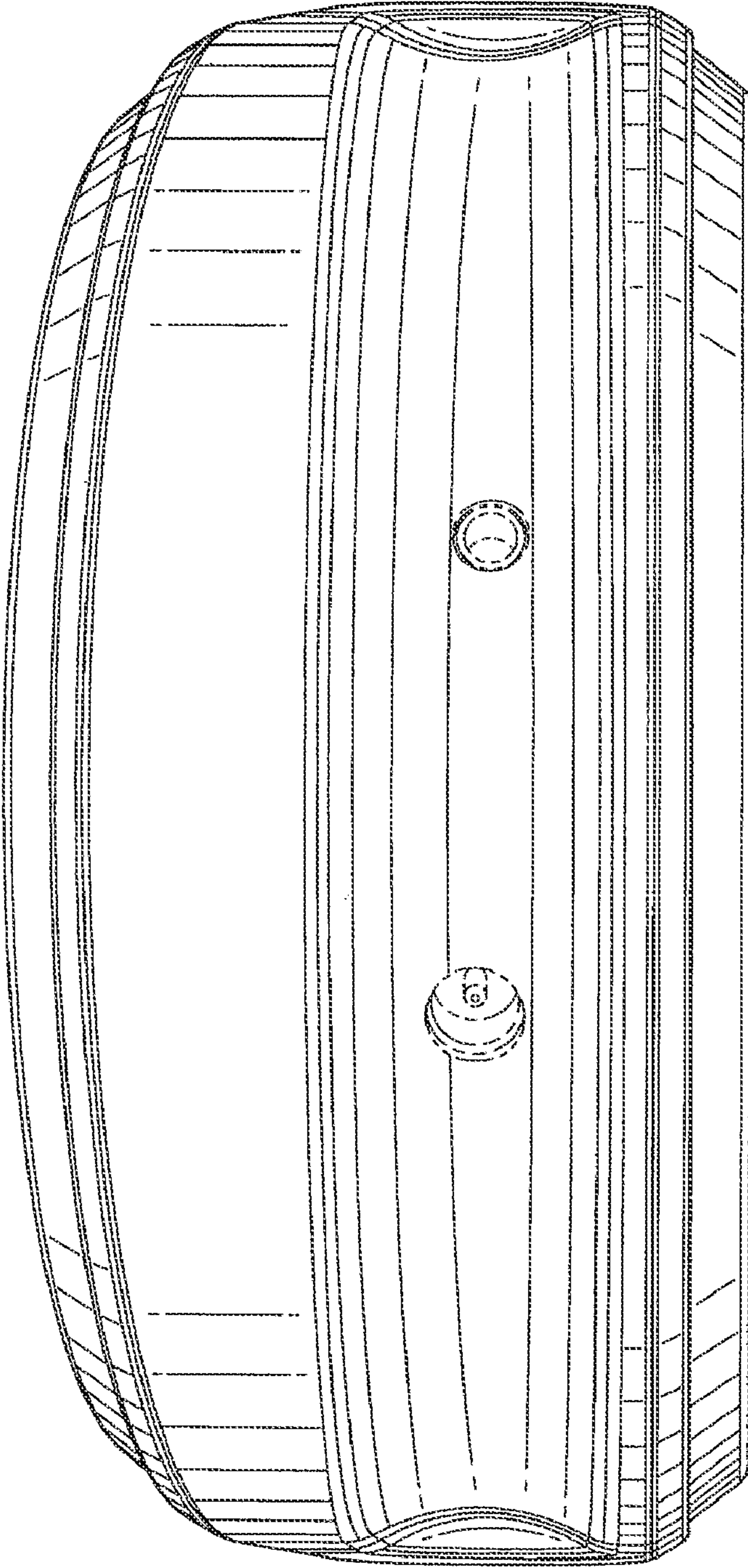


FIG. 6

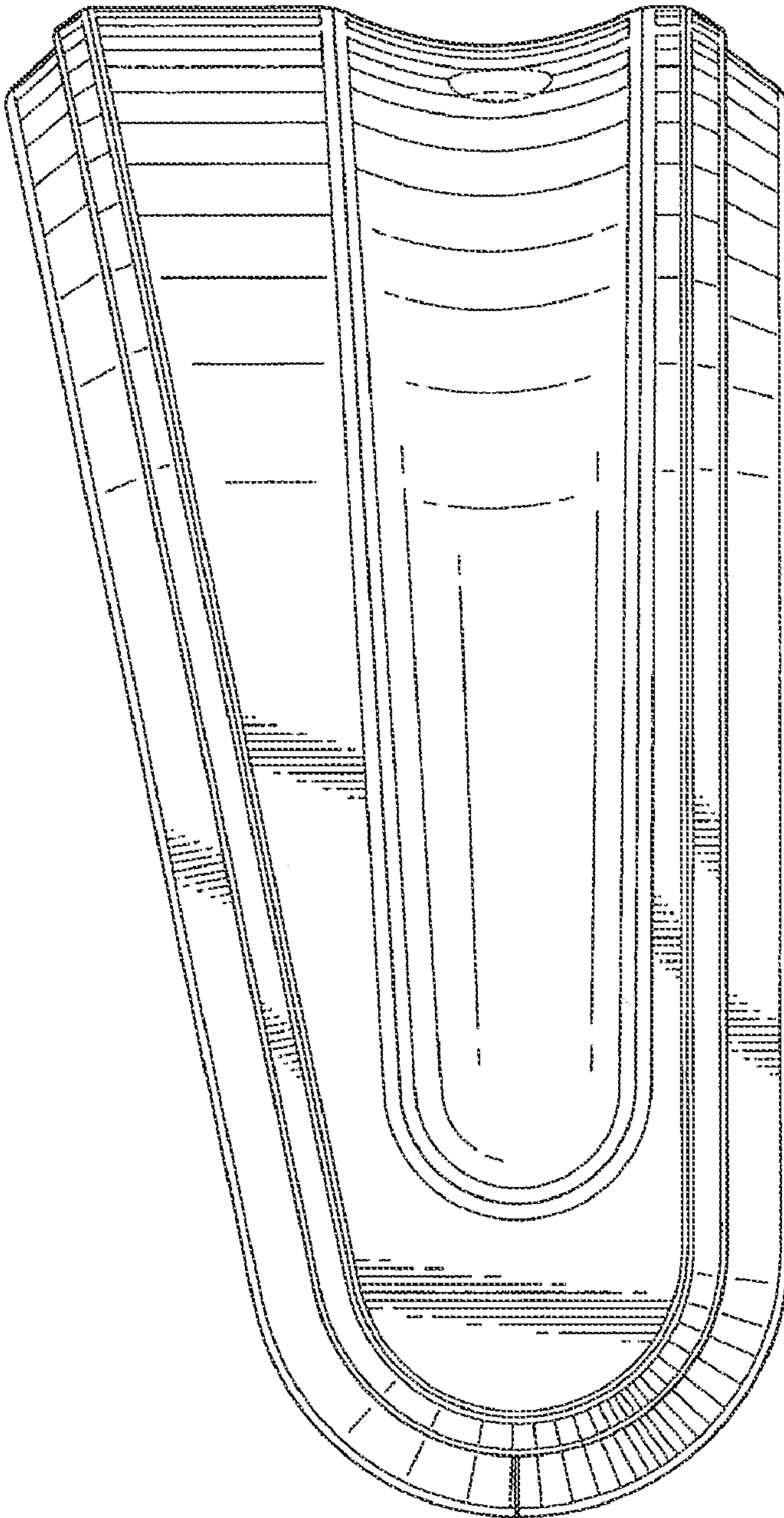


FIG. 7

