



US00D608348S

(12) **United States Design Patent**  
**Gahm**

(10) **Patent No.:** **US D608,348 S**

(45) **Date of Patent:** **\*\* Jan. 19, 2010**

(54) **SOUND PORT**

(76) **Inventor:** **Steve Gahm**, 241 Illinois Route 73 N,  
Pearl City, IL (US) 61002

(\*\*) **Term:** **14 Years**

(21) **Appl. No.:** **29/322,872**

(22) **Filed:** **Aug. 13, 2008**

(51) **LOC (9) Cl.** ..... **14-01**

(52) **U.S. Cl.** ..... **D14/216**

(58) **Field of Classification Search** ..... D14/204,  
D14/210–216, 172; 181/143–144, 147–148,  
181/150–153, 157–159, 198–199; 381/300–303,  
381/306, 332–333, 336, 345, 361–364, 386–388  
See application file for complete search history.

(56) **References Cited**

**U.S. PATENT DOCUMENTS**

D83,849 S *	4/1931	Cromartie	.....	D14/211
D340,056 S *	10/1993	Caron et al.	.....	D14/204
D359,958 S *	7/1995	Frodelius	.....	D14/208
5,886,304 A *	3/1999	Schlenzig et al.	.....	181/155

6,079,514 A *	6/2000	Zingali	.....	181/152
D502,168 S *	2/2005	Hill	.....	D14/211
D506,991 S *	7/2005	Chen	.....	D14/204
D533,541 S *	12/2006	Motoishi	.....	D14/215

\* cited by examiner

*Primary Examiner*—Nanda Bondade

(57) **CLAIM**

The ornamental design for a sound port, as shown and described.

**DESCRIPTION**

FIG. 1 is a top perspective view of a sound port showing my new design;

FIG. 2 is bottom perspective view thereof;

FIG. 3 is a top view thereof.

FIG. 4 is a bottom view thereof.

FIG. 5 is a front view thereof, the back, left side and right side views being identical thereto; and,

FIG. 6 is a cross-sectional view along line 6—6 on FIG. 3.

**1 Claim, 6 Drawing Sheets**

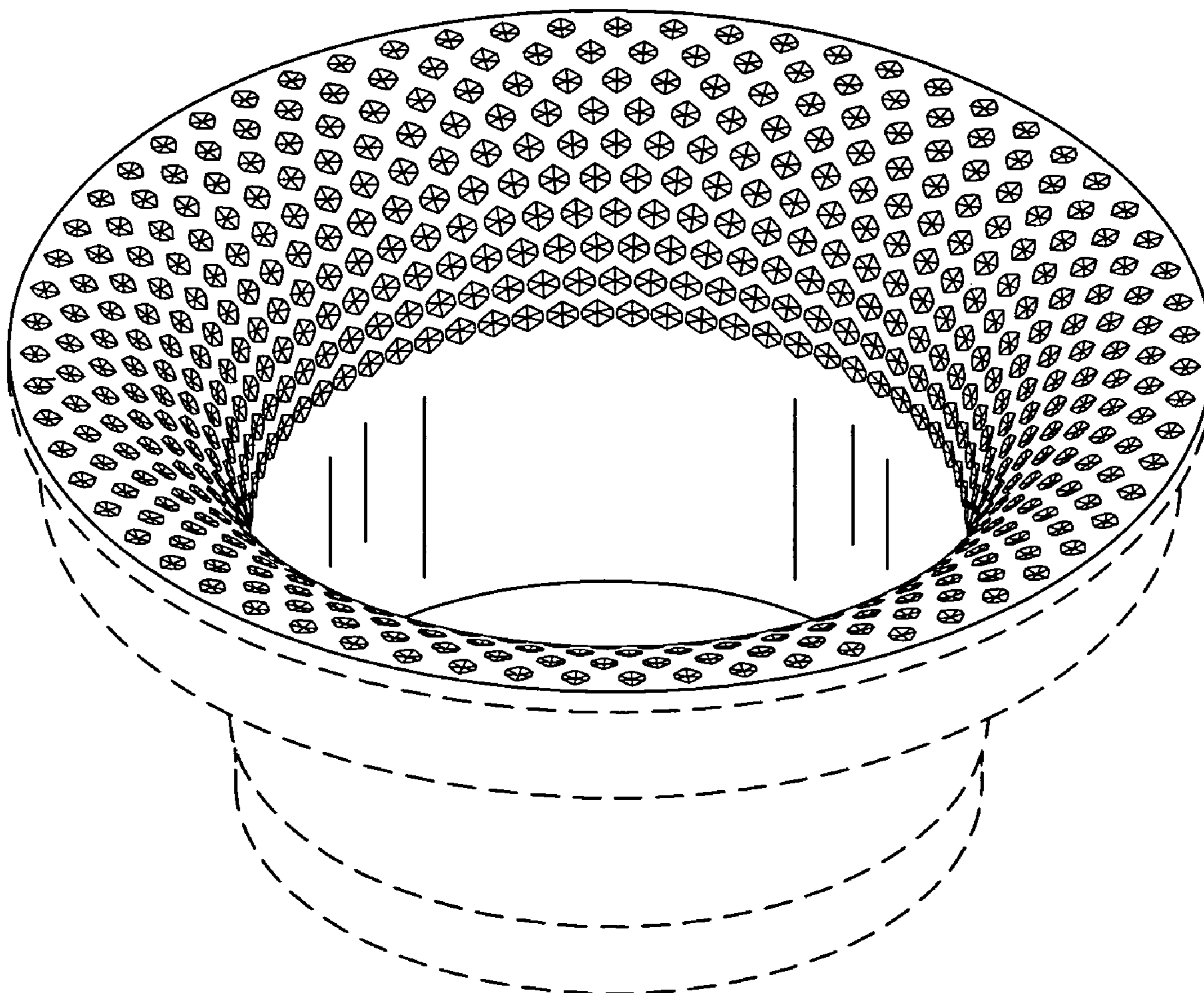
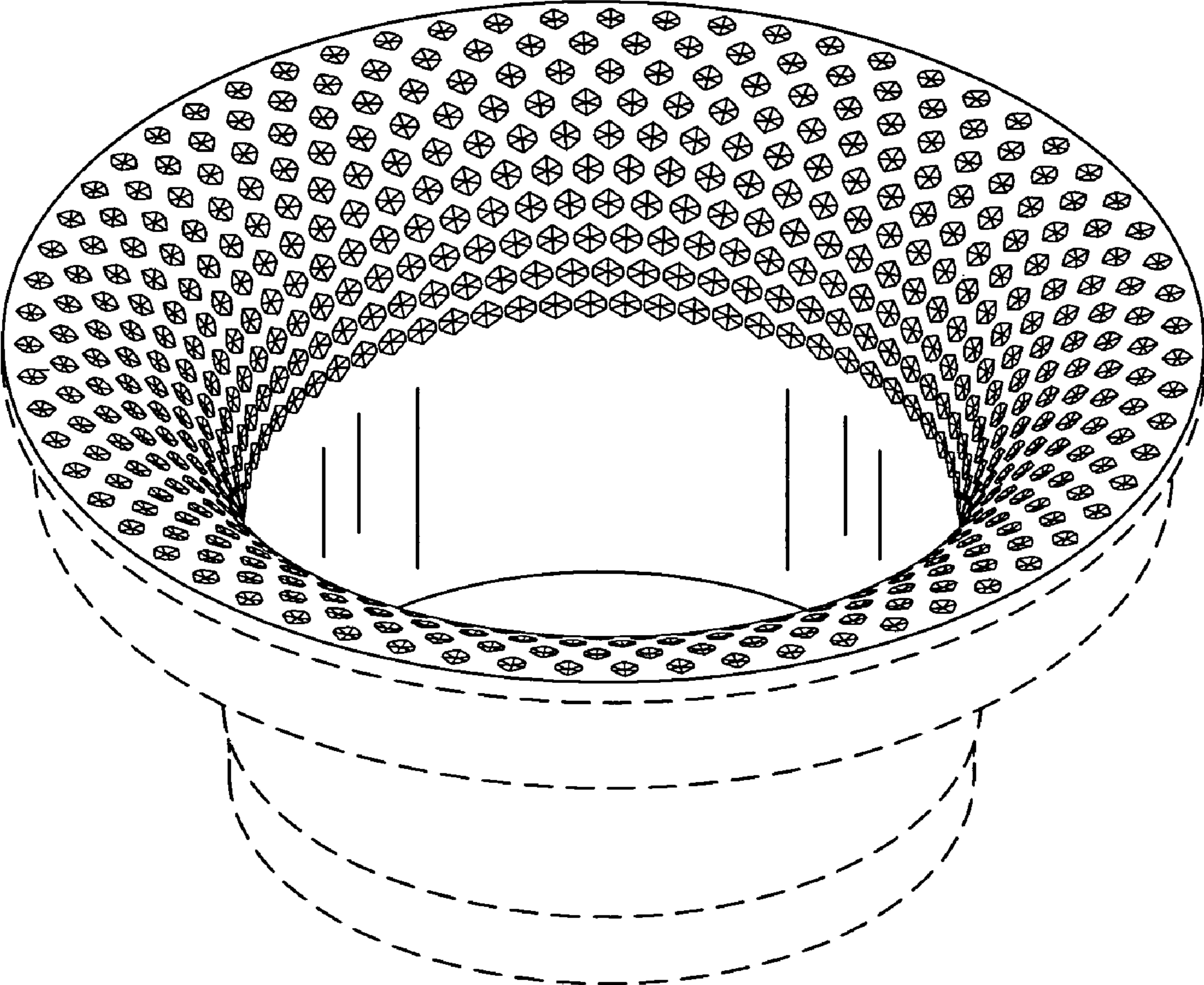


FIG. 1



**FIG. 2**

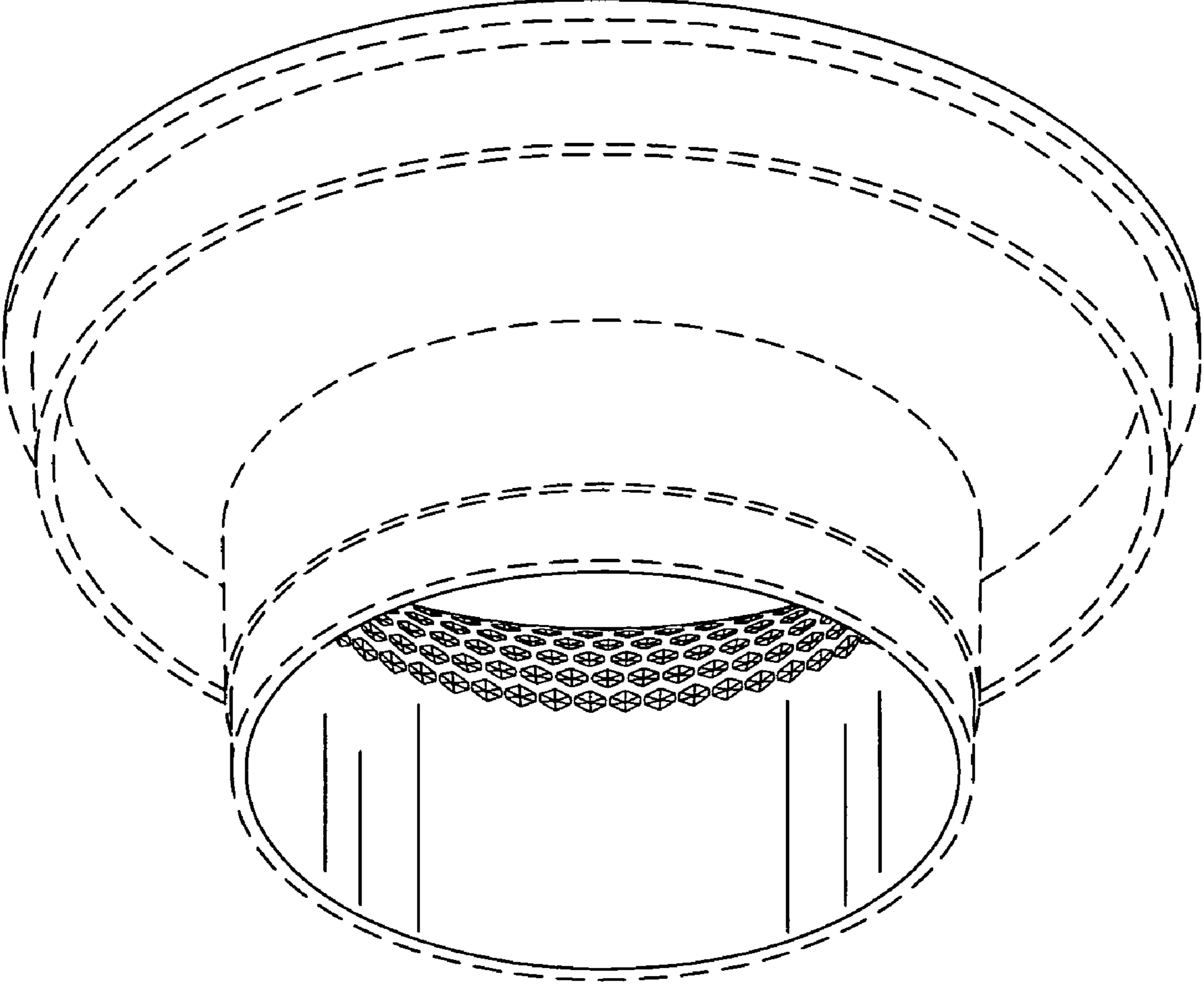
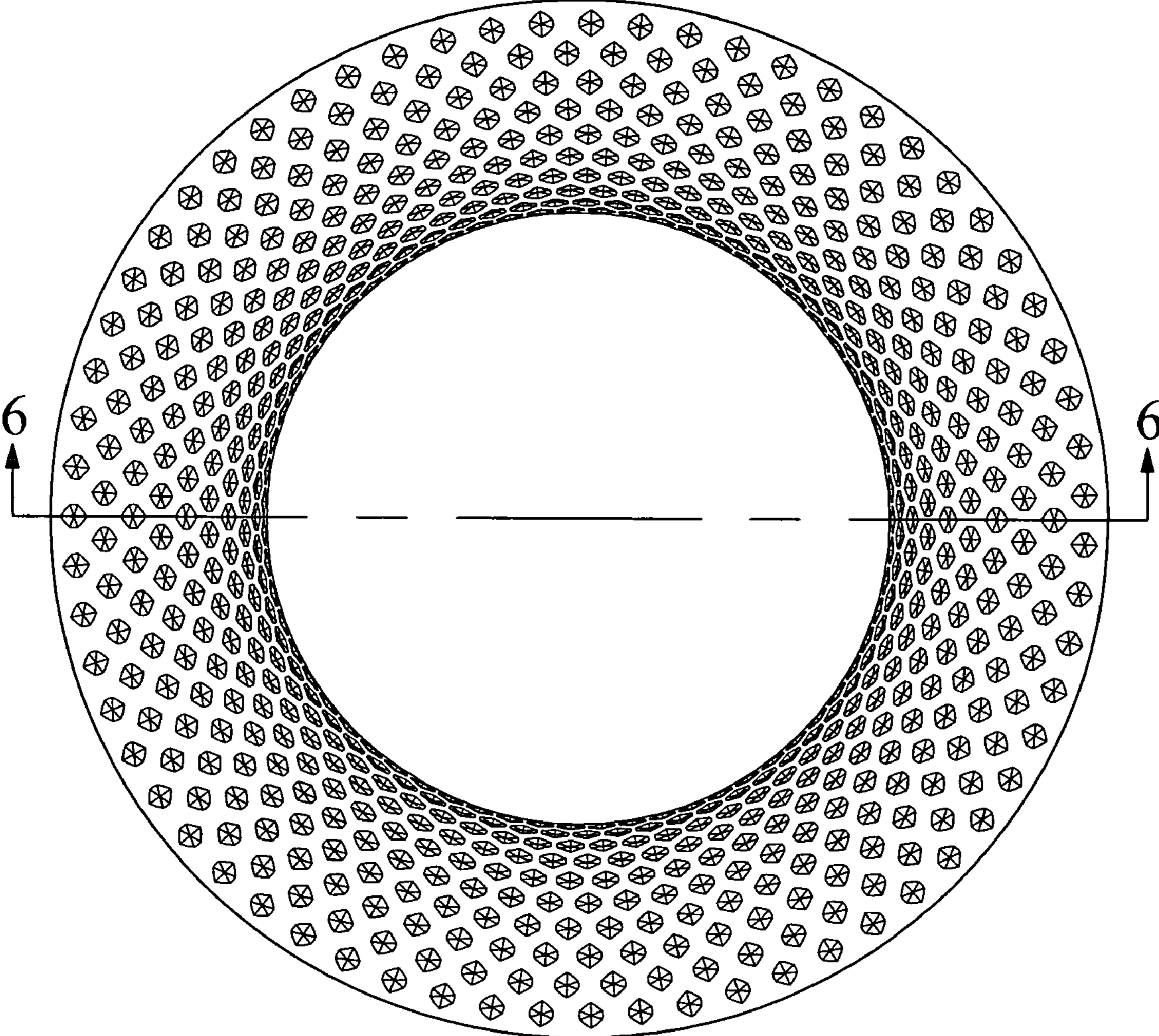
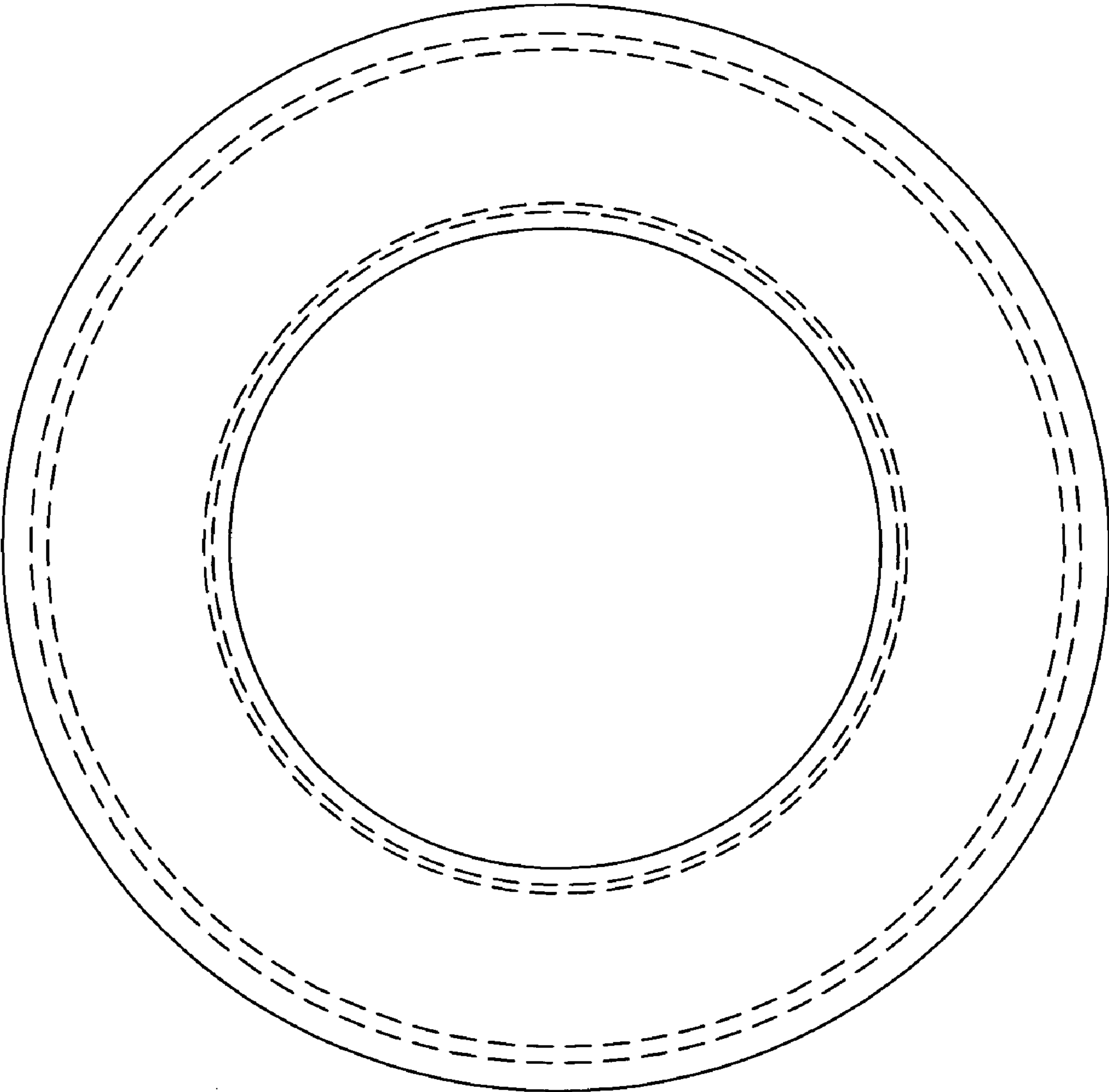


FIG. 3



**FIG. 4**



**FIG. 5**

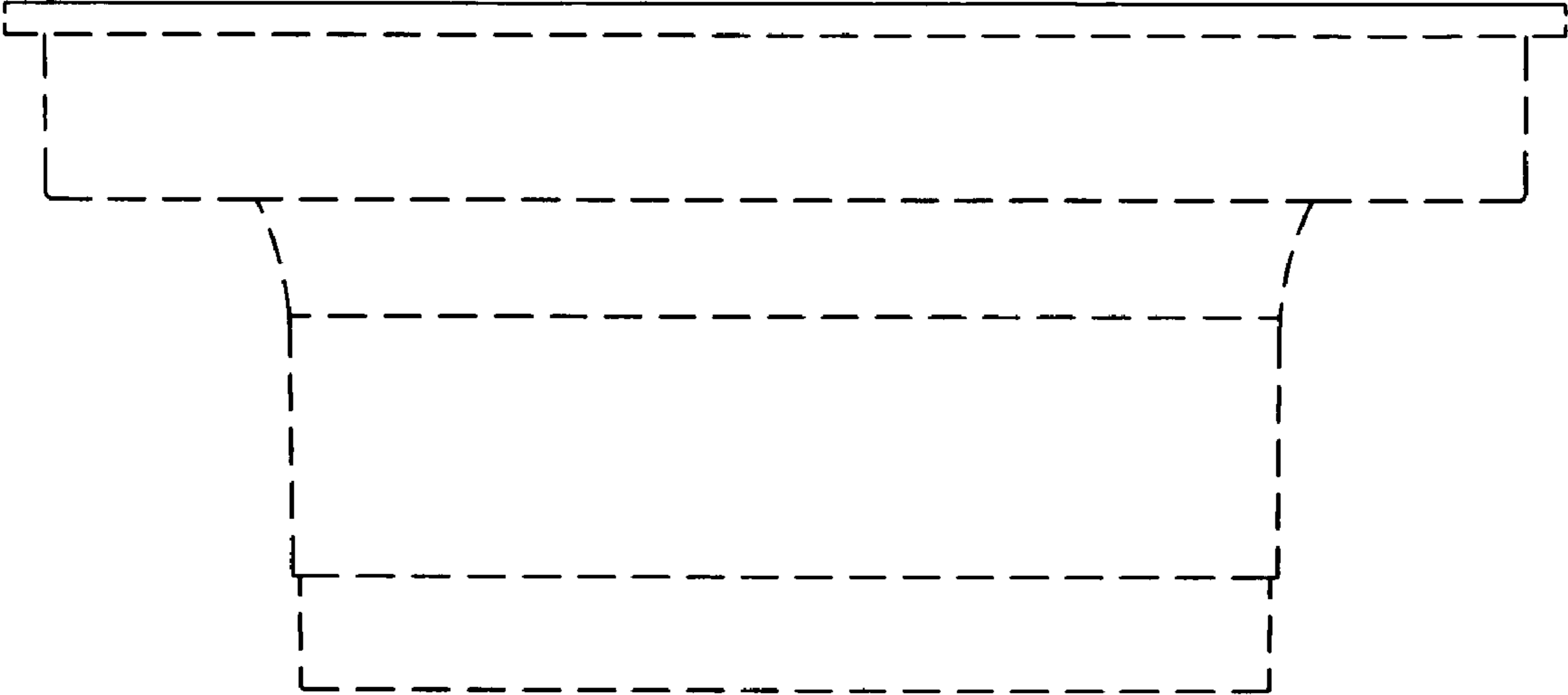


FIG. 6

