



US00D608347S

(12) **United States Design Patent**
Graber

(10) **Patent No.:** **US D608,347 S**

(45) **Date of Patent:** **** Jan. 19, 2010**

(54) **ACOUSTIC HAILING DEVICE ENCLOSURE**

(76) **Inventor:** **Curtis E. Graber**, 9301 Roberts Rd.,
Woodburn, IN (US) 46797

(**) **Term:** **14 Years**

(21) **Appl. No.:** **29/315,141**

(22) **Filed:** **May 29, 2009**

(51) **LOC (9) Cl.** **14-01**

(52) **U.S. Cl.** **D14/216**

(58) **Field of Classification Search** D14/204,
D14/210–216, 172; 181/143–144, 147–148,
181/150–153, 157, 198–199; 381/300–303,
381/306, 332–333, 336, 345, 361–364, 386–388
See application file for complete search history.

(56) **References Cited**

U.S. PATENT DOCUMENTS

D78,473 S *	5/1929	Marchey	D14/215
D215,853 S *	11/1969	La Zar et al.	D14/212
D344,951 S *	3/1994	Christie	D14/216
5,319,164 A *	6/1994	Shen	181/150
D484,492 S *	12/2003	Welker et al.	D14/216
D524,799 S *	7/2006	Hibi	D14/216

* cited by examiner

Primary Examiner—Nanda Bondade

(74) *Attorney, Agent, or Firm*—Paul W. O'Malley

(57) **CLAIM**

The ornamental design for an acoustic hailing device enclosure, as shown.

DESCRIPTION

FIG. 1 is a perspective view of an enclosure for an acoustic hailing device enclosure showing my new design from the front face thereof;

FIG. 2 is a perspective view from the opposite angle of FIG. 1 thereof;

FIG. 3 is a bottom plan view thereof;

FIG. 4 is a top plan view thereof;

FIG. 5 is a back elevation view thereof;

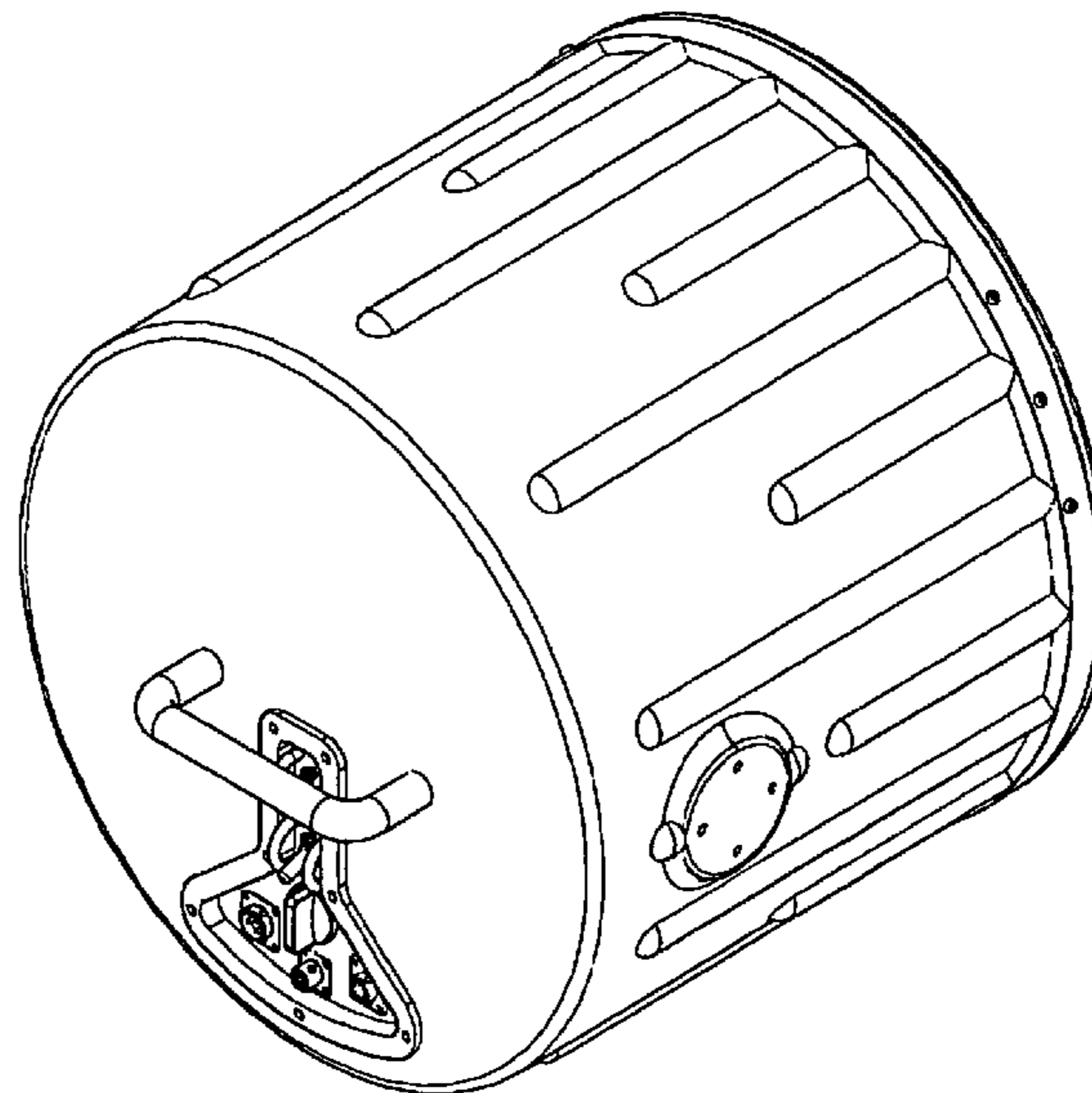
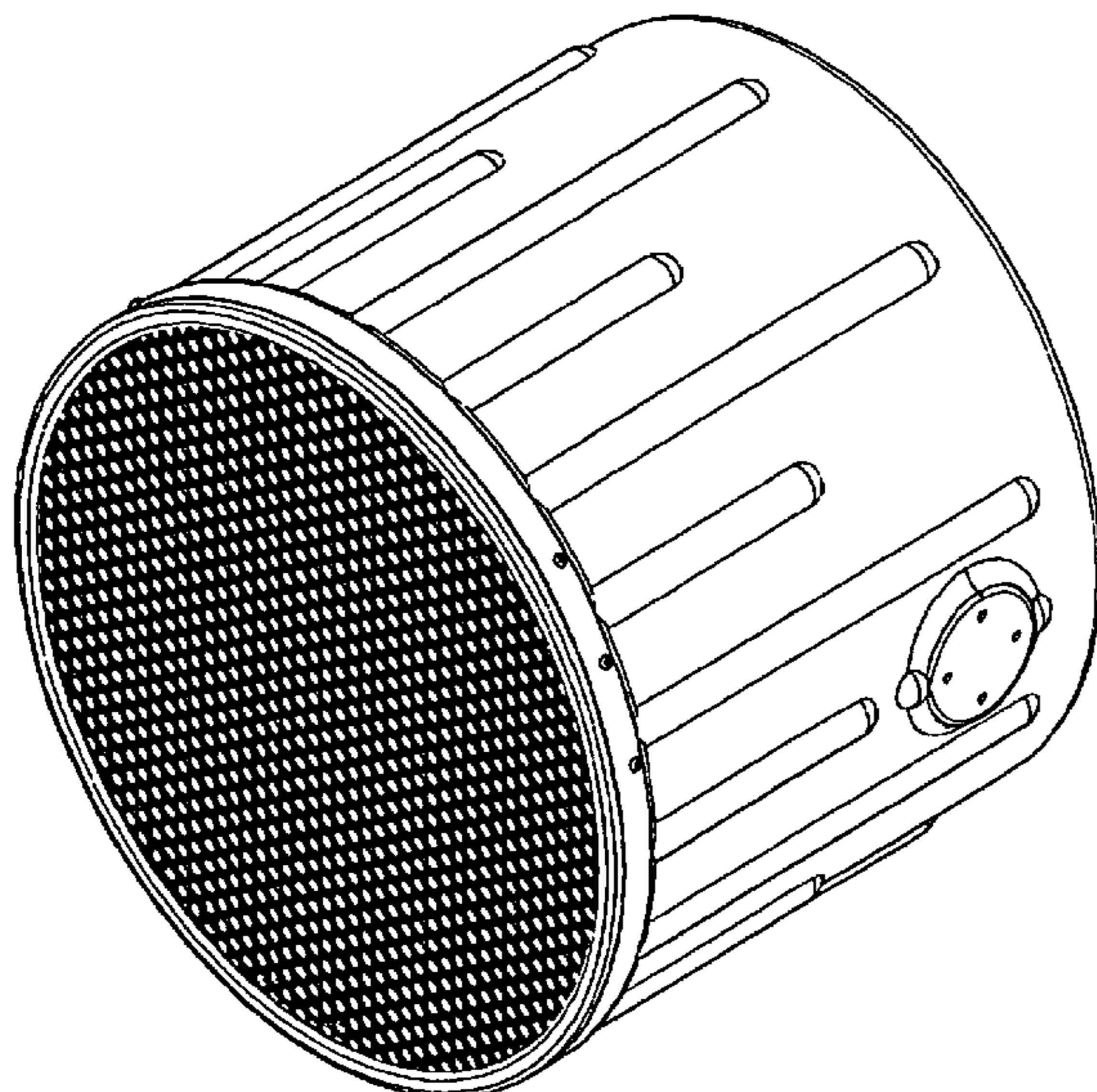
FIG. 6 is a left side elevation thereof;

FIG. 7 is a front plan view; and,

FIG. 8 is a right side elevation.

FIGS. 1 and 2 are on an enlarged scale.

1 Claim, 2 Drawing Sheets



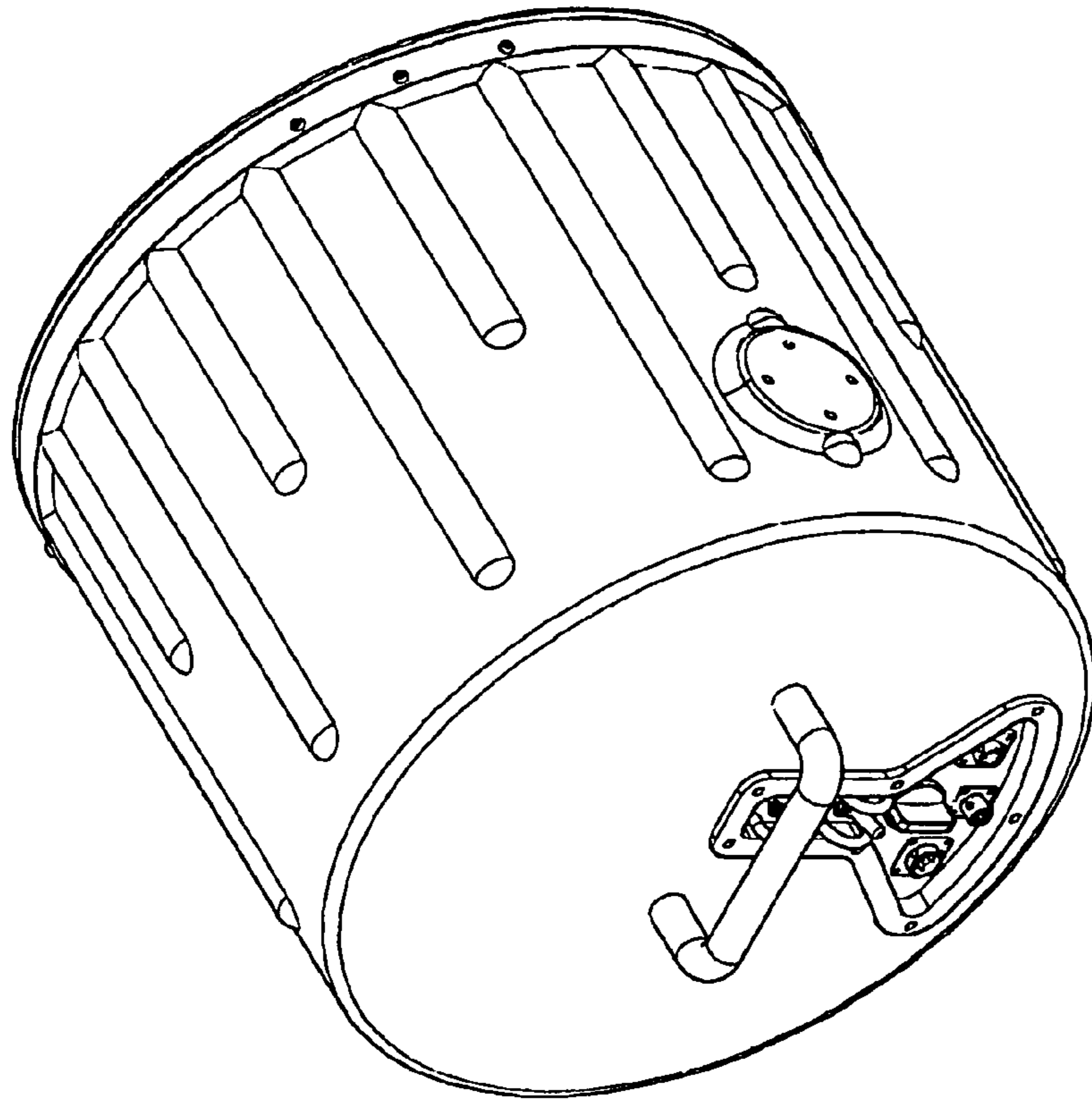


Fig. 2

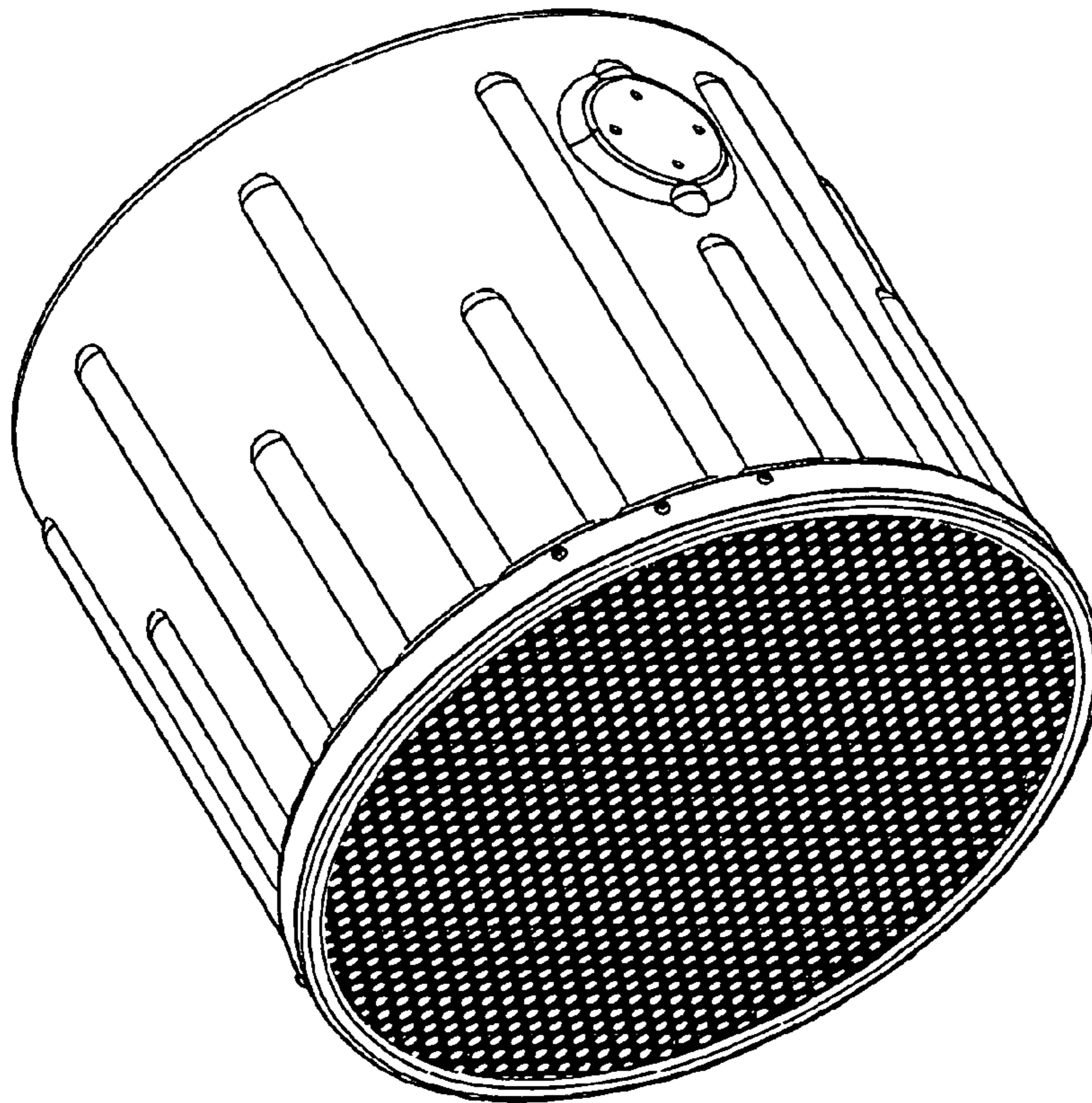


Fig. 1

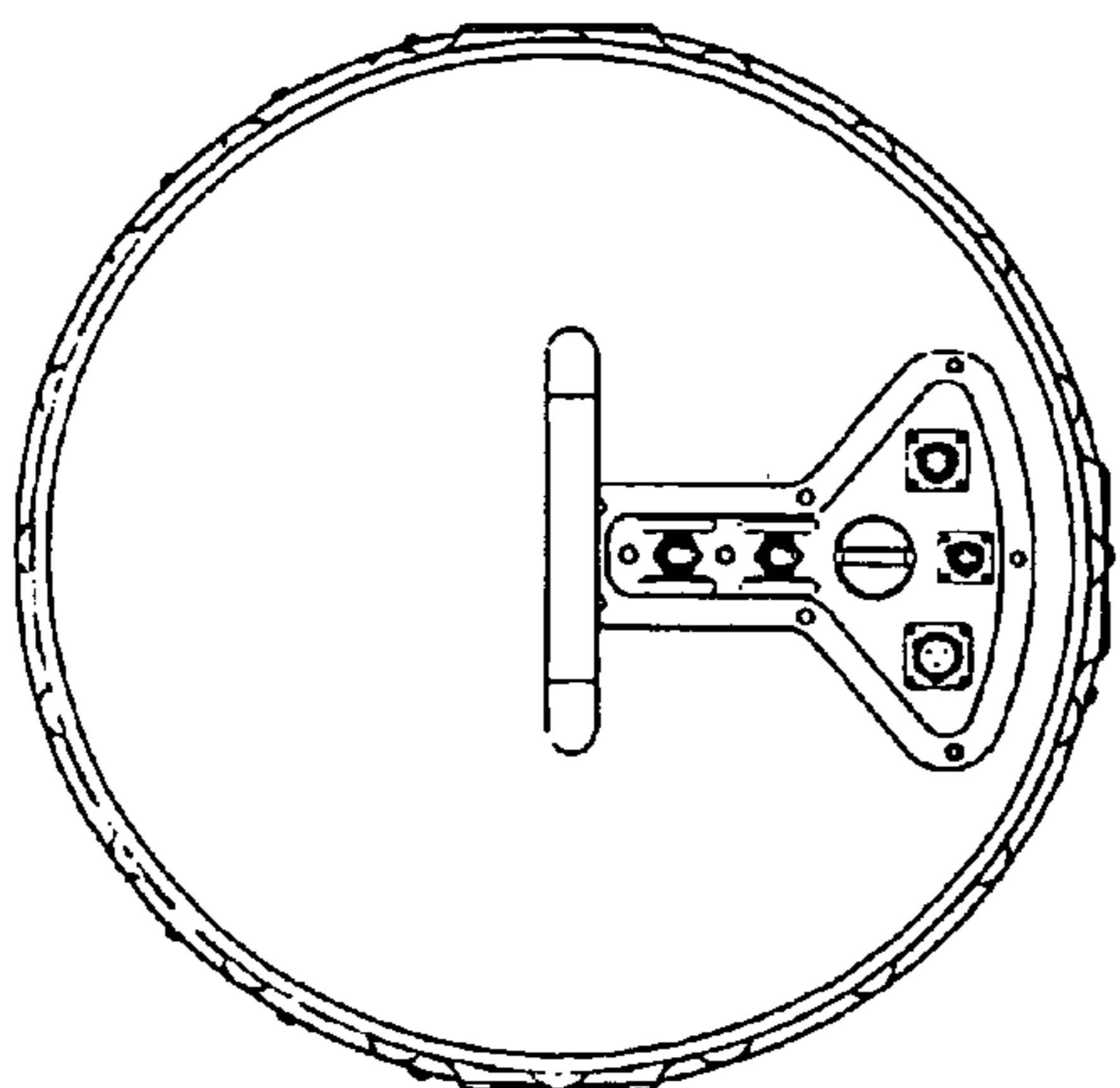


Fig. 5

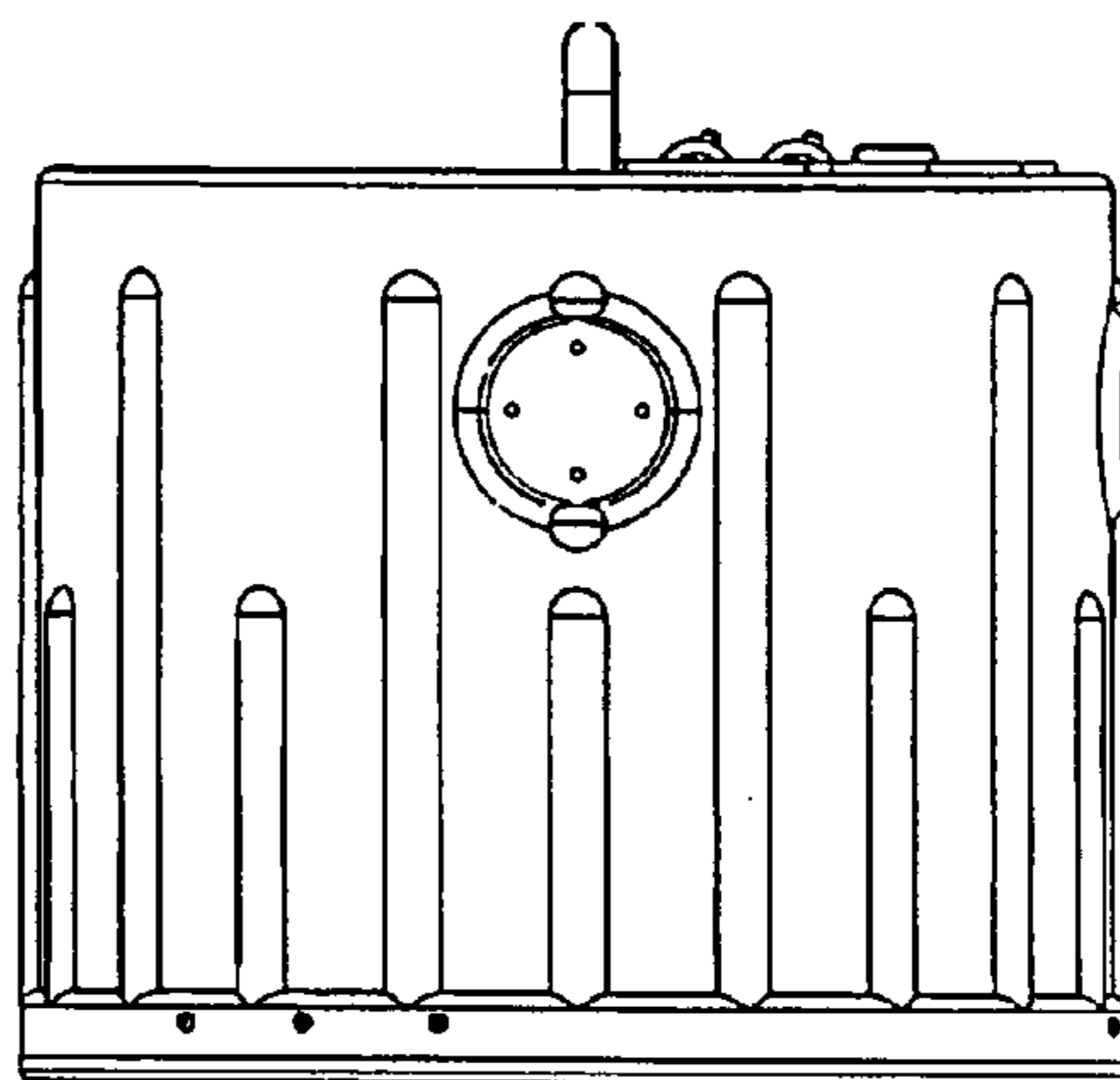


Fig. 8

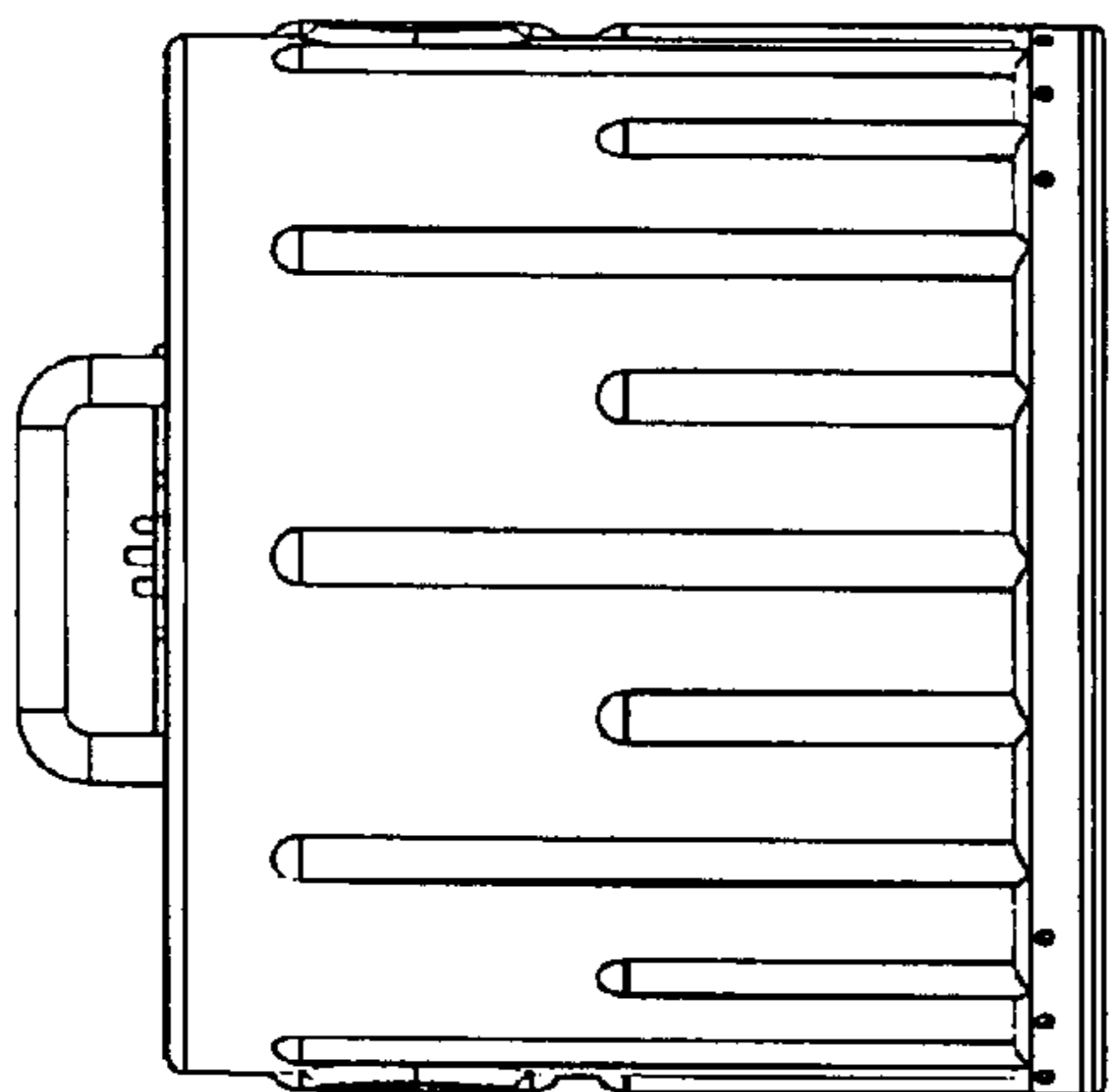


Fig. 4

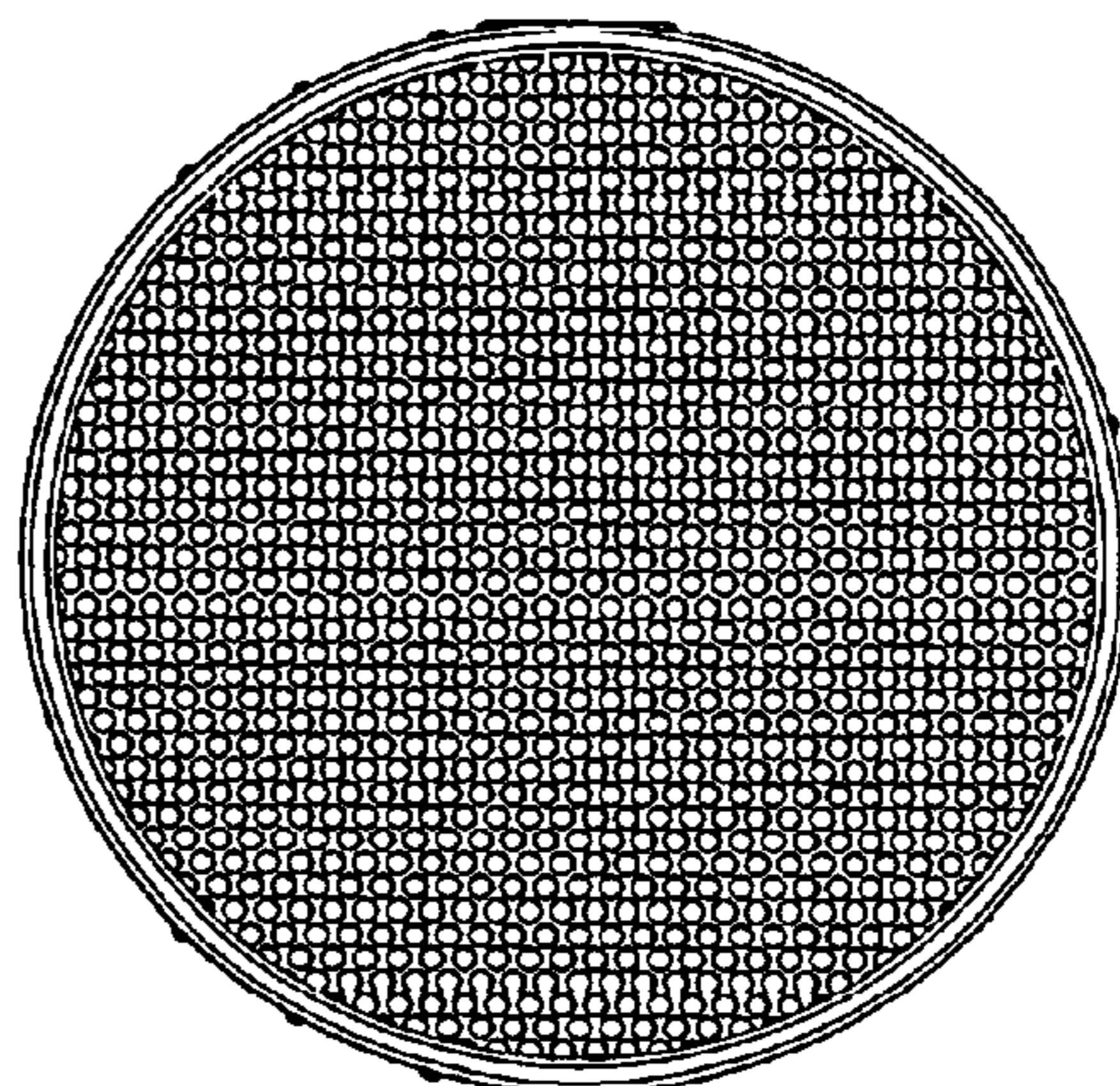


Fig. 7

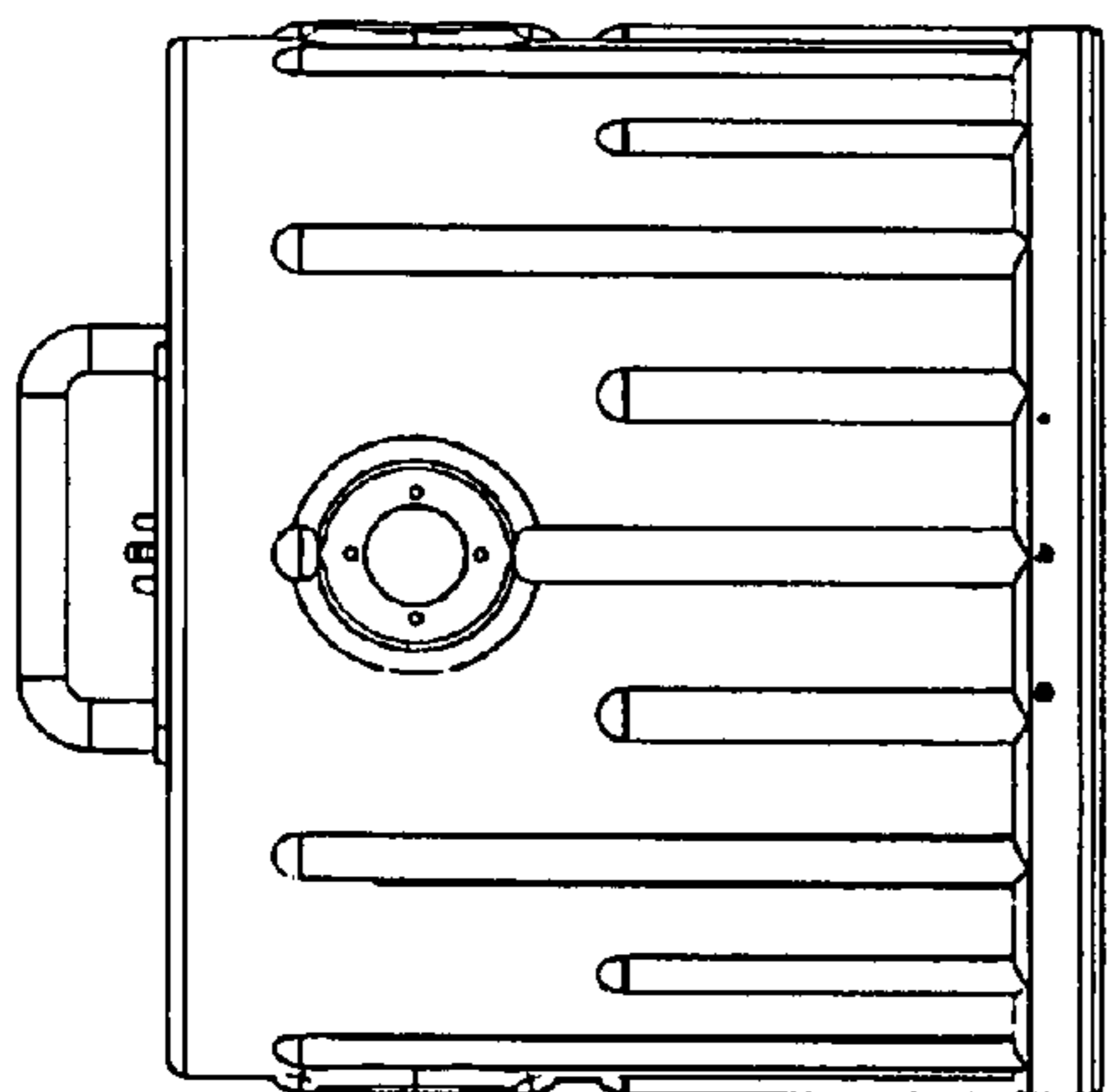


Fig 3

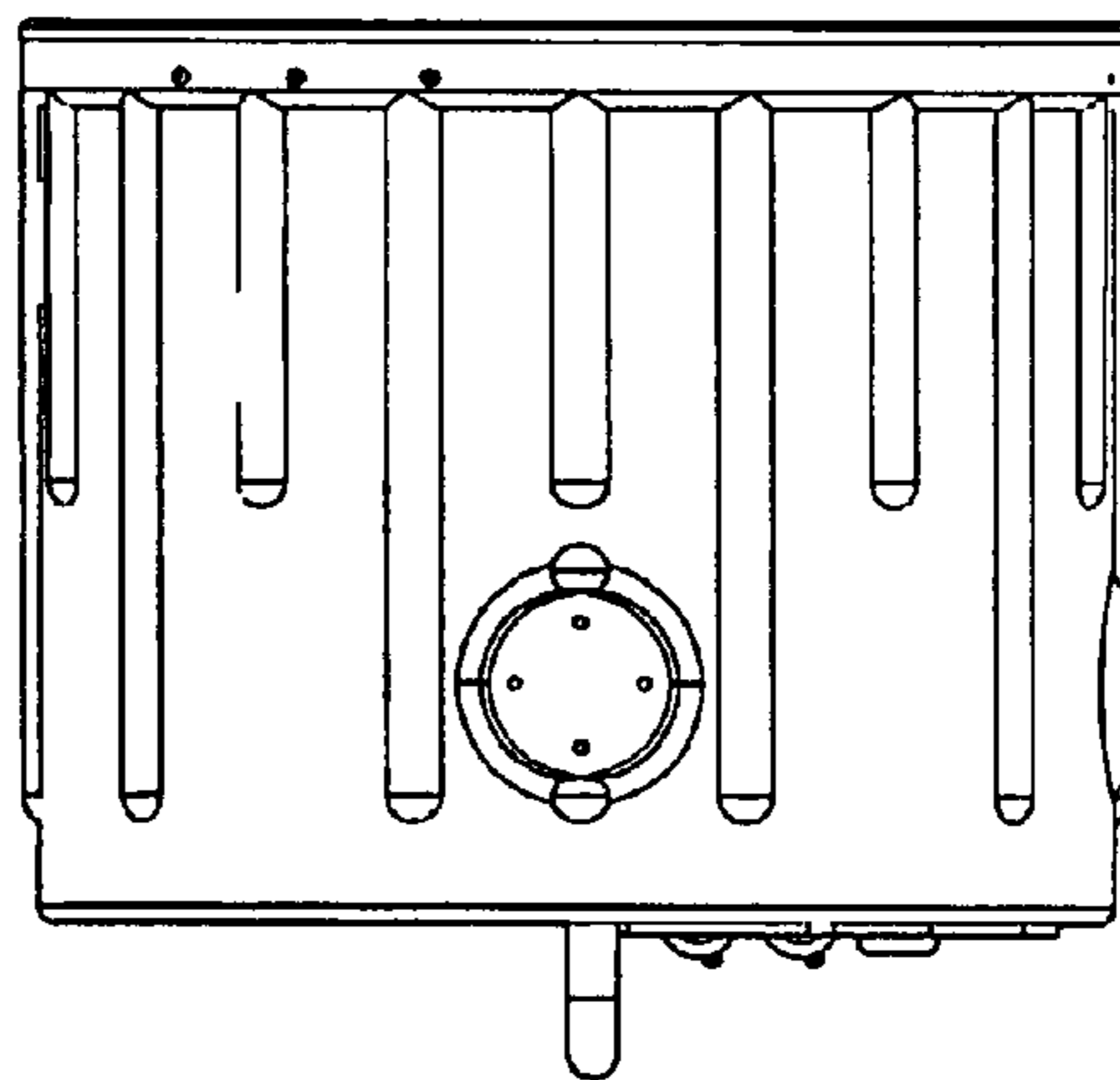


Fig. 6