



US00D608346S

(12) **United States Design Patent**
Oishi

(10) **Patent No.:** **US D608,346 S**

(45) **Date of Patent:** **** Jan. 19, 2010**

(54) **SPEAKER FOR AUTOMOBILE**

D581,904 S * 12/2008 Tanaka D14/216

(75) Inventor: **Hironori Oishi**, Tokyo (JP)

* cited by examiner

(73) Assignee: **Pioneer Corporation**, Tokyo (JP)

Primary Examiner—Nanda Bondade

(**) Term: **14 Years**

(74) *Attorney, Agent, or Firm*—Jean C. Edwards, Esq.;
Akerman Senterfitt

(21) Appl. No.: **29/311,075**

(57) **CLAIM**

(22) Filed: **Dec. 18, 2008**

The ornamental design for a speaker for automobile, as shown and described.

(30) **Foreign Application Priority Data**

DESCRIPTION

Aug. 1, 2008 (JP) 2008-019954

(51) **LOC (9) Cl.** **14-01**

(52) **U.S. Cl.** **D14/216**

(58) **Field of Classification Search** D14/204,
D14/210–216, 221, 172; 181/143–144, 147–148,
181/150–153, 157, 198–199; 381/300–303,
381/306, 332–333, 336, 345, 361–364, 386–388
See application file for complete search history.

FIG. 1 is a perspective view of the front, bottom and right side of a speaker for automobile showing my new design;

FIG. 2 is a front view thereof;

FIG. 3 is a rear view thereof;

FIG. 4 is a left side view thereof;

FIG. 5 is a right side view thereof;

FIG. 6 is a top plan view thereof; and,

FIG. 7 is a bottom view thereof.

The broken line showing on the drawing disclosure is for illustrative purposes only and forms no part of the claimed design.

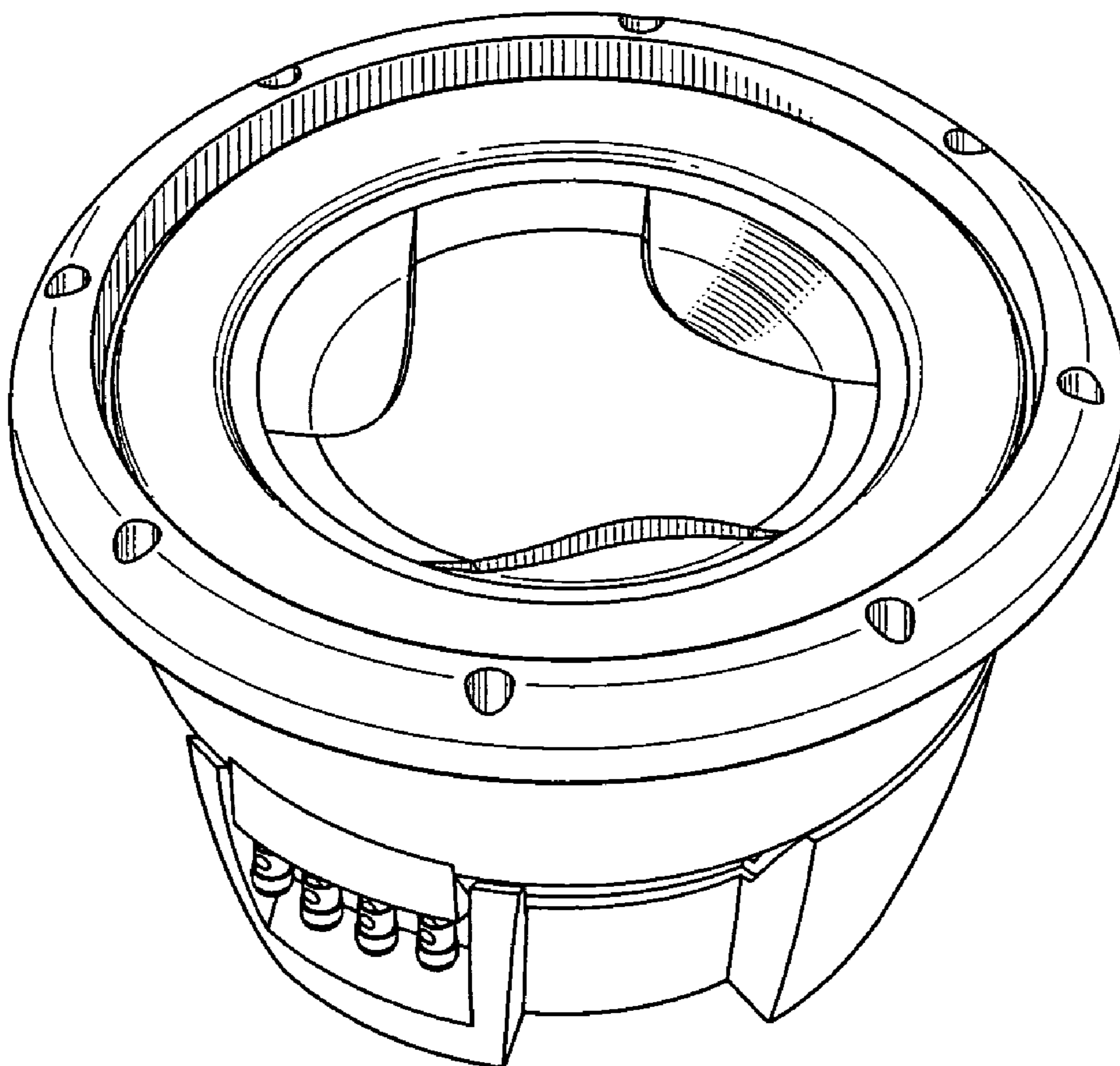
(56) **References Cited**

U.S. PATENT DOCUMENTS

D493,445 S * 7/2004 Iijima et al. D14/216

D573,980 S * 7/2008 Nakane et al. D14/216

1 Claim, 5 Drawing Sheets



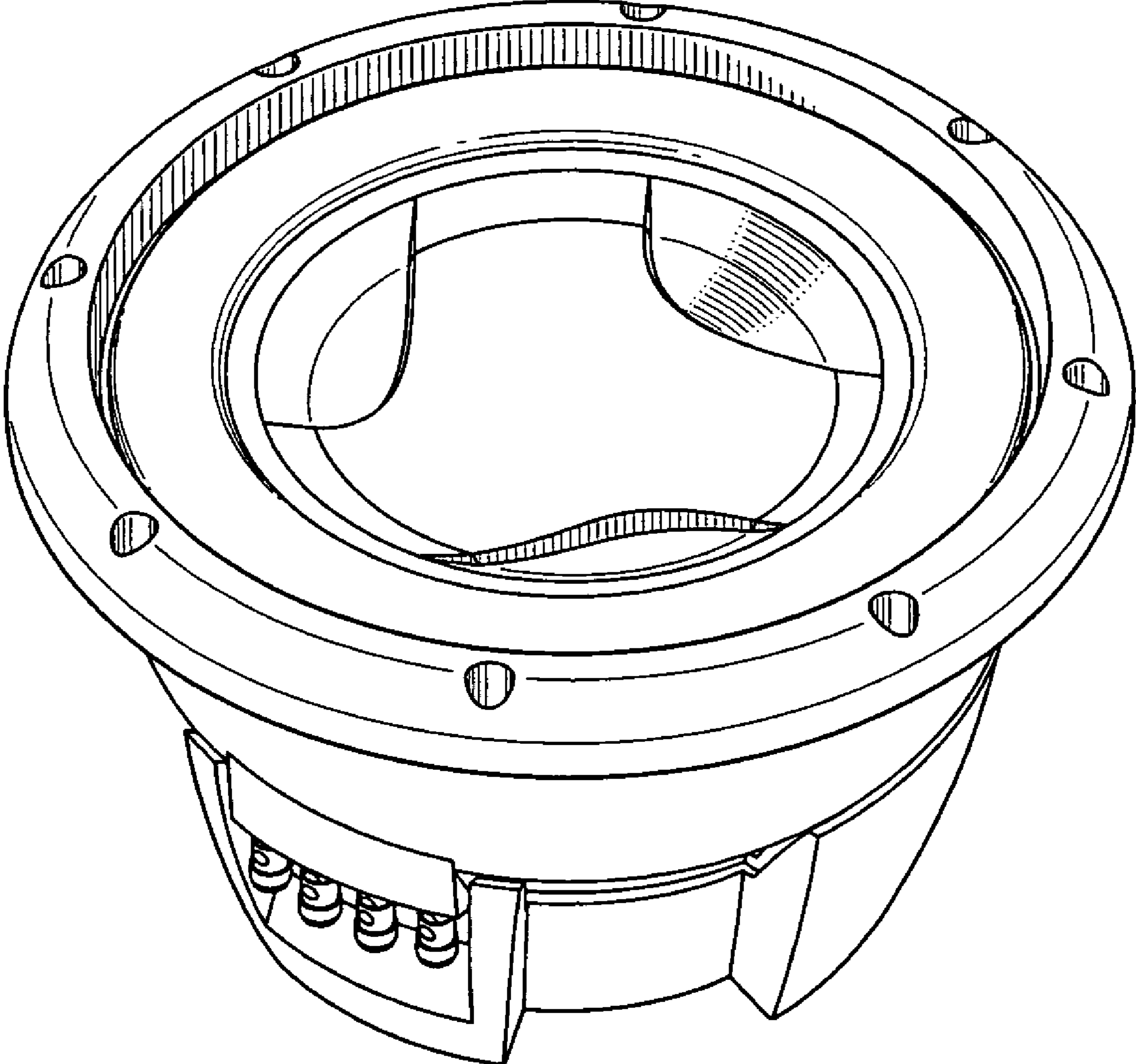


FIG. 1

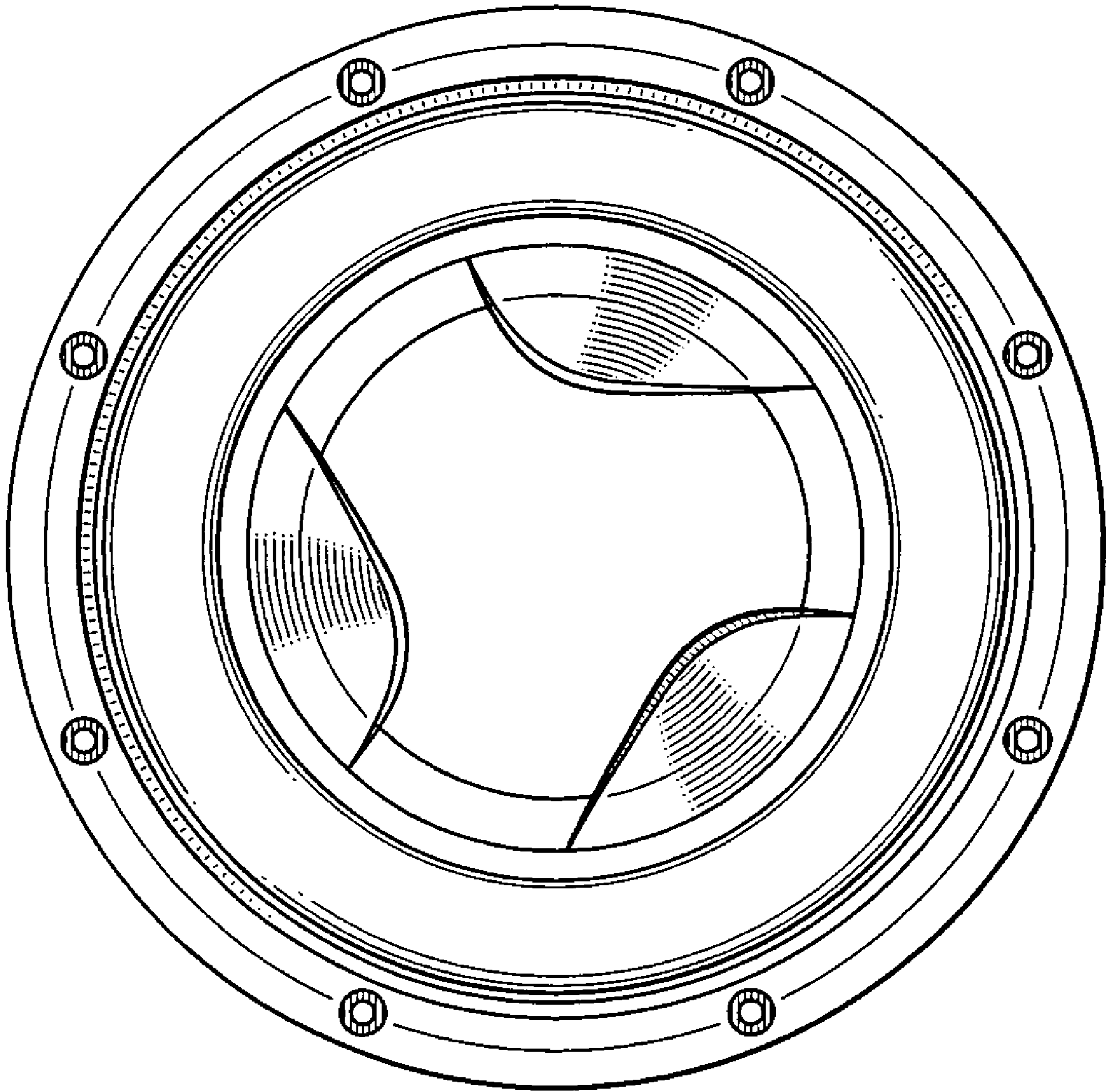


FIG. 2

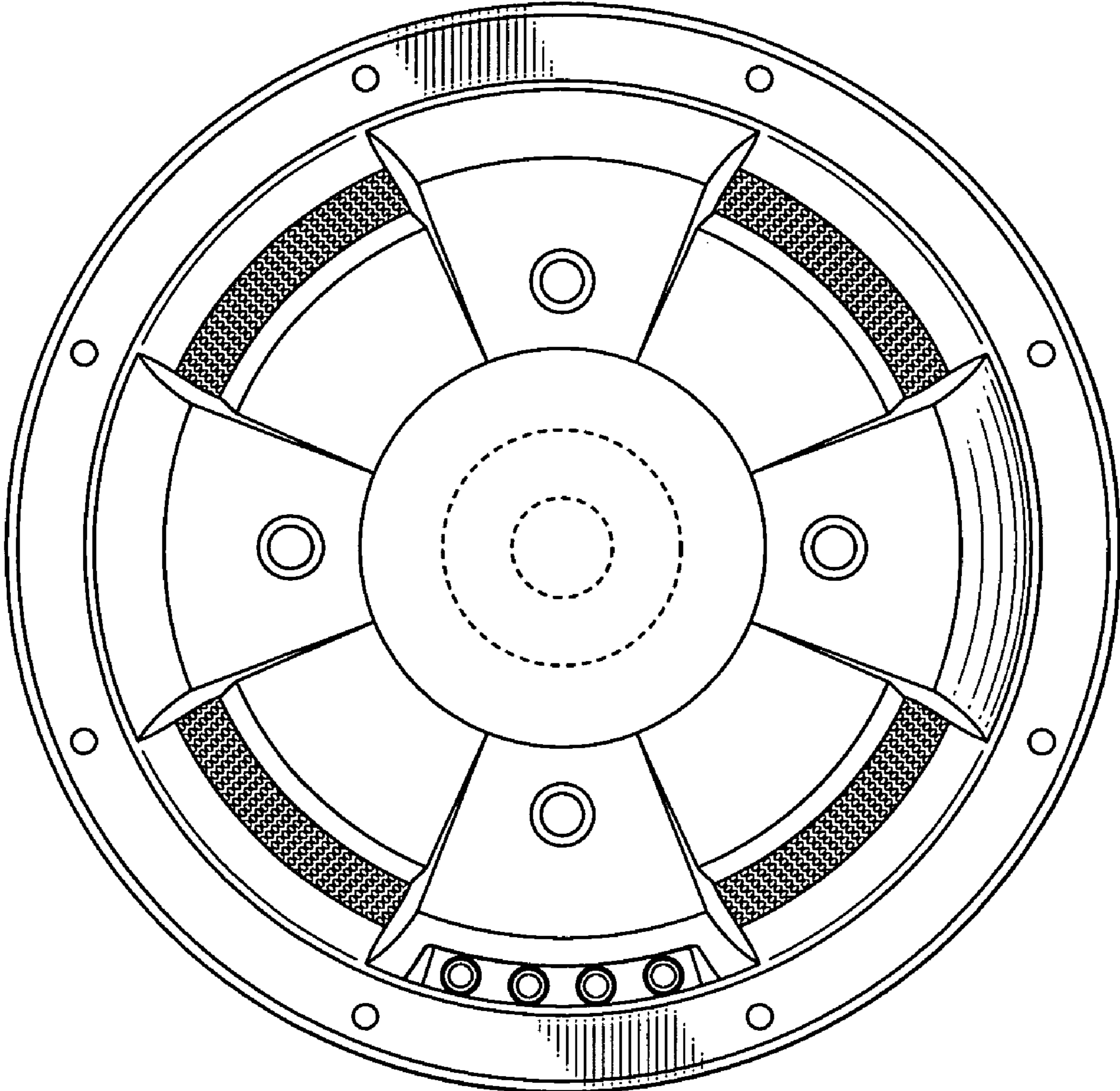


FIG. 3

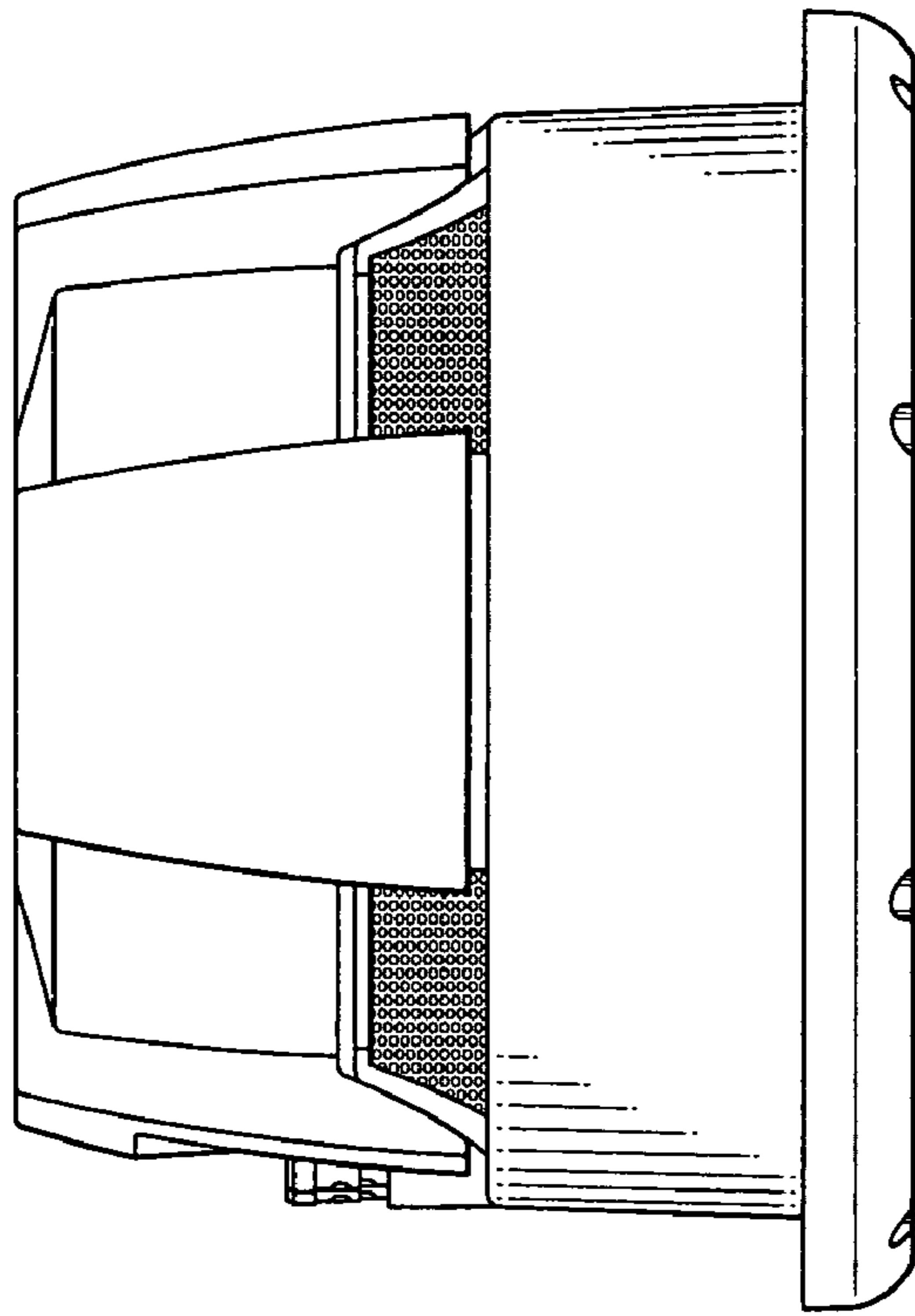


FIG. 4

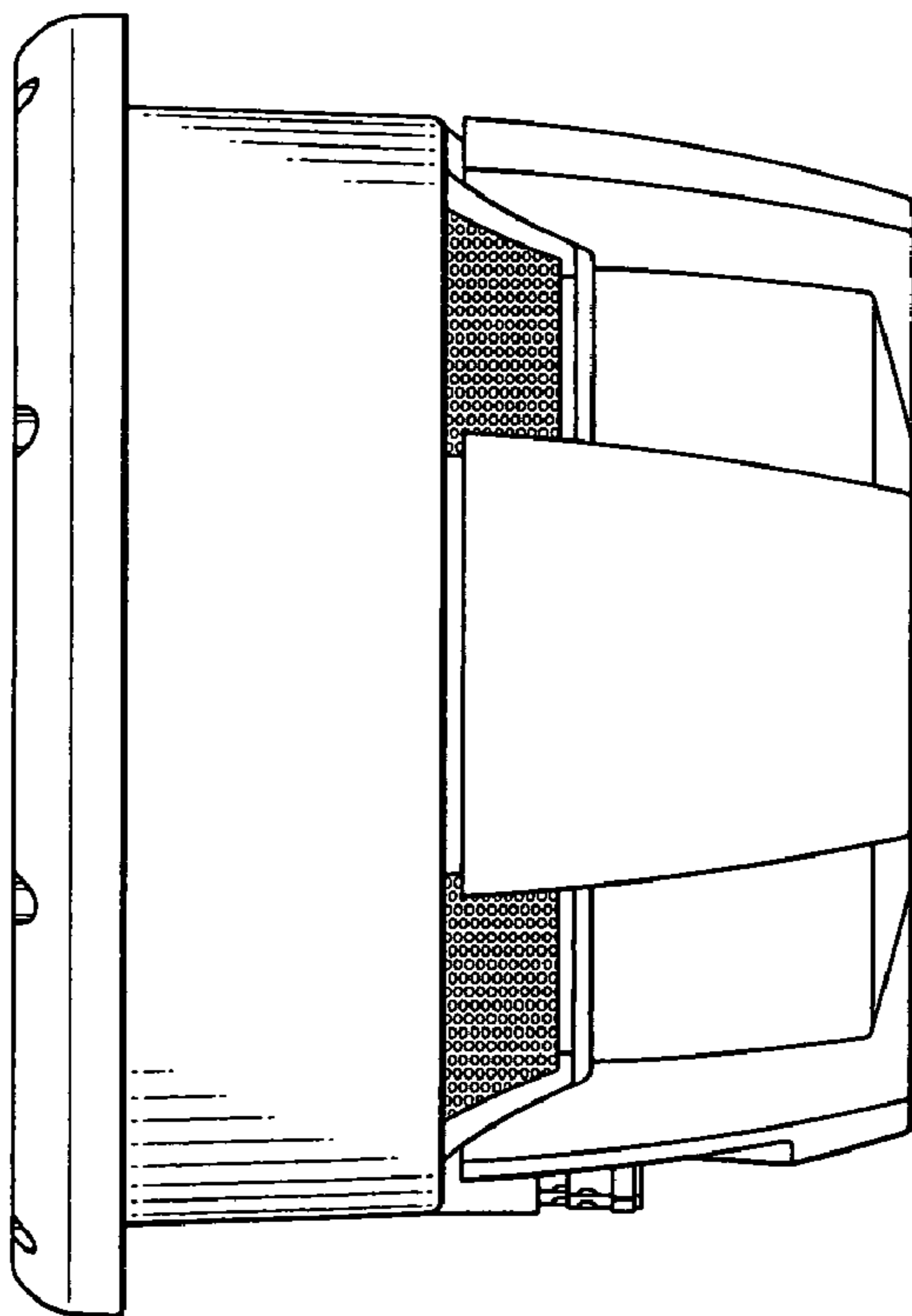


FIG. 5

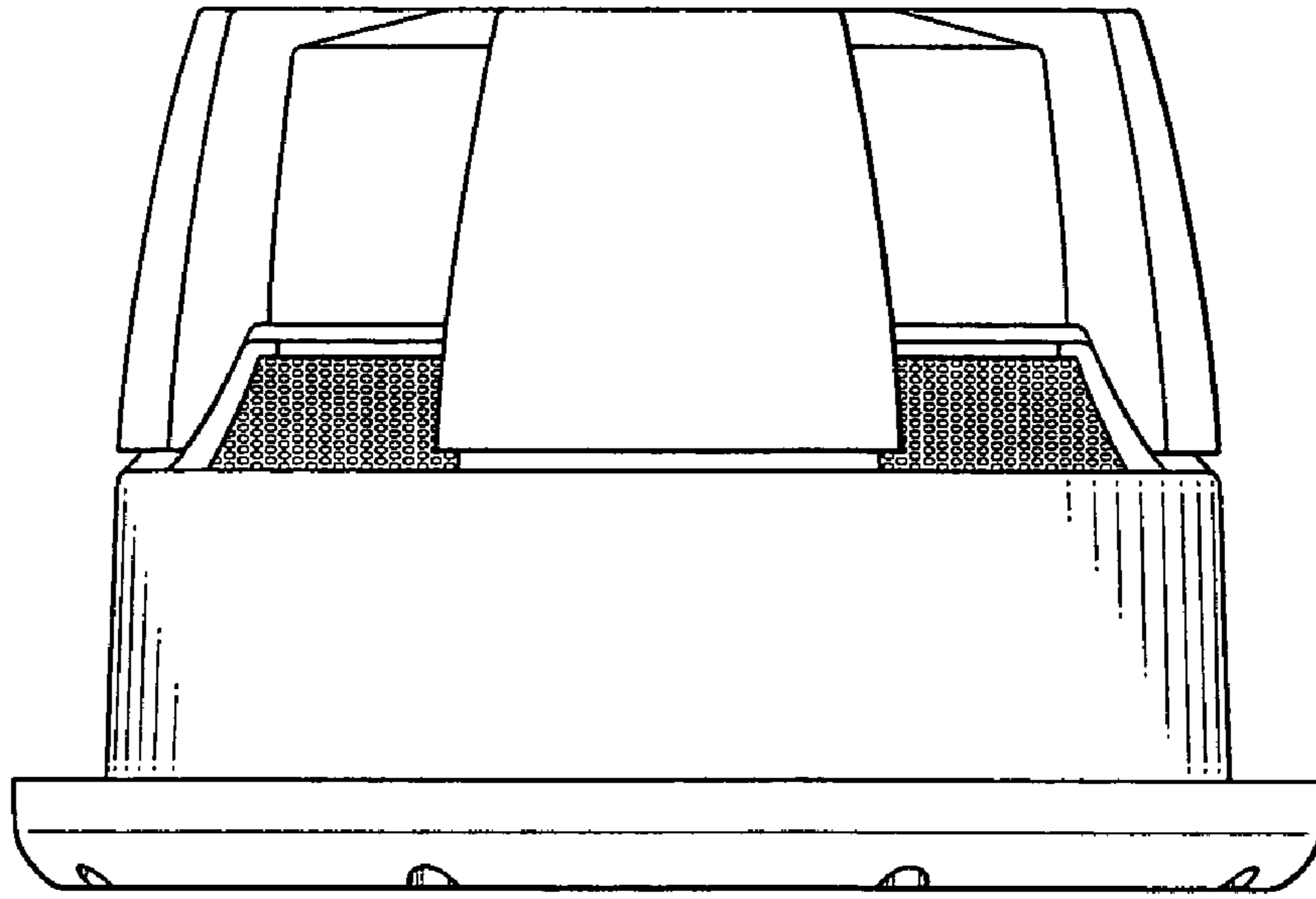


FIG. 6

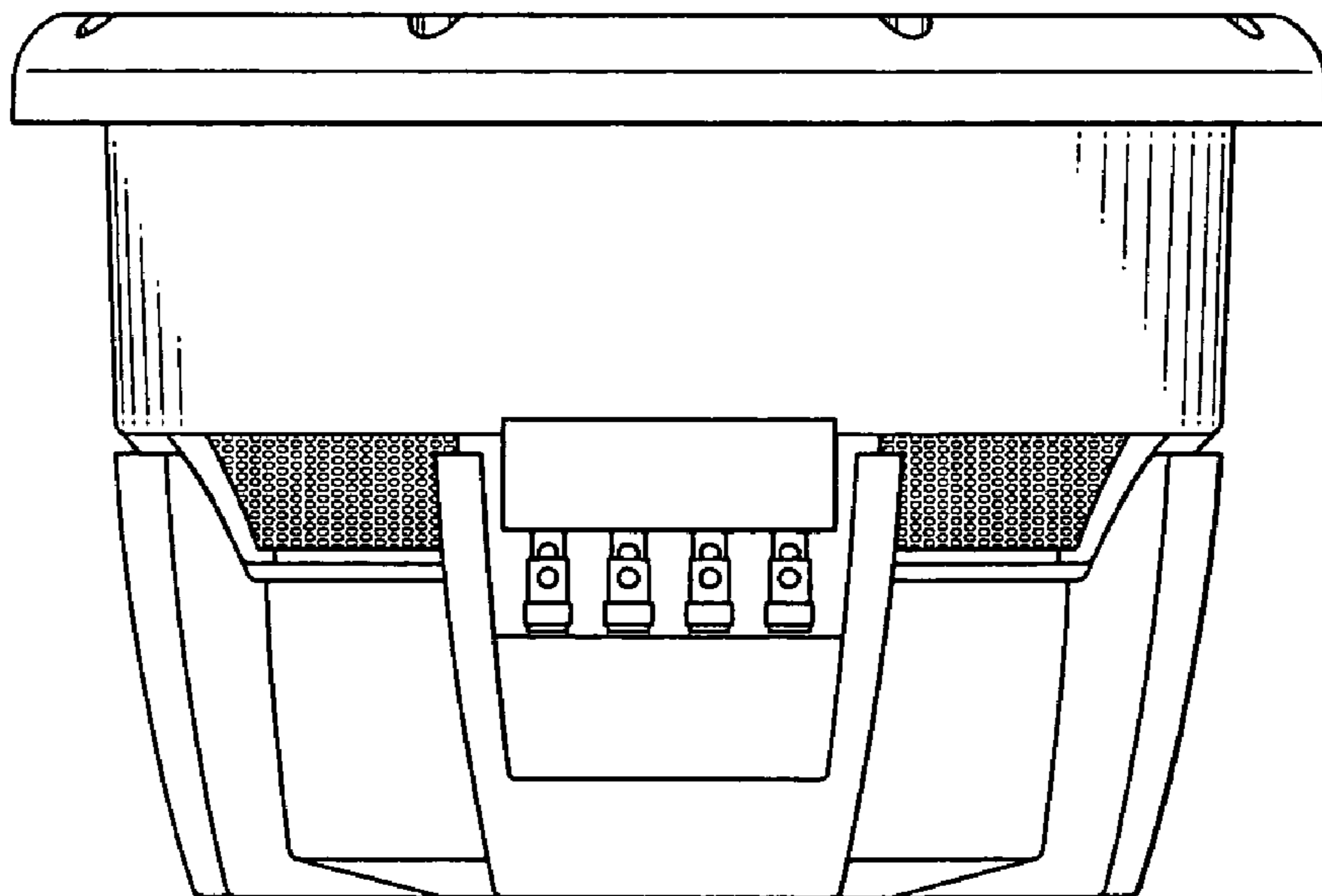


FIG. 7