

US00D608342S

(12) **United States Design Patent**
Andre et al.

(10) **Patent No.:** **US D608,342 S**
(45) **Date of Patent:** **** Jan. 19, 2010**

(54) **MEDIA DEVICE**

(75) Inventors: **Bartley K. Andre**, Menlo Park, CA (US); **Daniel J. Coster**, San Francisco, CA (US); **Daniele De Iuliis**, San Francisco, CA (US); **Richard P. Howarth**, San Francisco, CA (US); **Jonathan P. Ive**, San Francisco, CA (US); **Steve Jobs**, Palo Alto, CA (US); **Duncan Robert Kerr**, San Francisco, CA (US); **Shin Nishibori**, Portola Valley, CA (US); **Matthew Dean Rohrbach**, San Francisco, CA (US); **Douglas B. Satzger**, Menlo Park, CA (US); **Calvin Q. Seid**, Palo Alto, CA (US); **Christopher J. Stringer**, Woodside, CA (US); **Eugene Antony Whang**, San Francisco, CA (US); **Rico Zorkendorfer**, San Francisco, CA (US)

(73) Assignee: **Apple Inc.**, Cupertino, CA (US)

(**) Term: **14 Years**

(21) Appl. No.: **29/341,274**

(22) Filed: **Aug. 3, 2009**

Related U.S. Application Data

(63) Continuation of application No. 29/332,768, filed on Feb. 25, 2009, now Pat. No. Des. 597,558, which is a continuation of application No. 29/305,583, filed on Mar. 24, 2008, now Pat. No. Des. 591,766, which is a continuation of application No. 29/281,530, filed on Jun. 26, 2007, now Pat. No. Des. 575,304, which is a continuation of application No. 29/260,454, filed on May 24, 2006, now Pat. No. Des. 551,680, which is a continuation of application No. 29/224,220, filed on Feb. 25, 2005, now abandoned, which is a continuation of application No. 29/212,343, filed on Aug. 31, 2004, now Pat. No. Des. 506,476, which is a continuation of application No. 29/196,832, filed on Jan. 5, 2004, now abandoned.

(51) **LOC (9) Cl.** **14-03**

(52) **U.S. Cl.** **D14/203.7; D14/203.3; D14/496**

(58) **Field of Classification Search** D14/496, D14/401, 435, 474, 483, 217, 137, 138, 160, D14/168, 356, 203.1–203.8, 507; 345/156, 345/169, 173–179, 905; 715/727–729, 864; 710/1, 5, 8; 713/1, 600; 455/1.1, 1.7, 73, 455/344–347, 93, 95, 3.01–3.06, 550.1, 573.1; 370/342–344; 369/1, 2, 6–12; 463/43–47; 273/148 B

See application file for complete search history.

(56) **References Cited**

U.S. PATENT DOCUMENTS

D264,969 S 6/1982 McGourty

(Continued)

FOREIGN PATENT DOCUMENTS

CN 3260632D 10/2002

(Continued)

OTHER PUBLICATIONS

U.S. Appl. No. 29/162,832, Andre et al., "Media Device", filed Jan. 5, 2004.

(Continued)

Primary Examiner—Prabhakar Deshmukh

(74) *Attorney, Agent, or Firm*—Sterne, Kessler, Goldstein & Fox P.L.L.C.

(57) **CLAIM**

We claim the ornamental design for a media device, as shown and described.

DESCRIPTION

FIG. 1 is a perspective view of a media device in accordance with the present design. The media device can, for example, be a media player or a media storage device.

FIG. 2 is a front view thereof;

FIG. 3 is a rear view thereof;

FIG. 4 is a top view thereof;

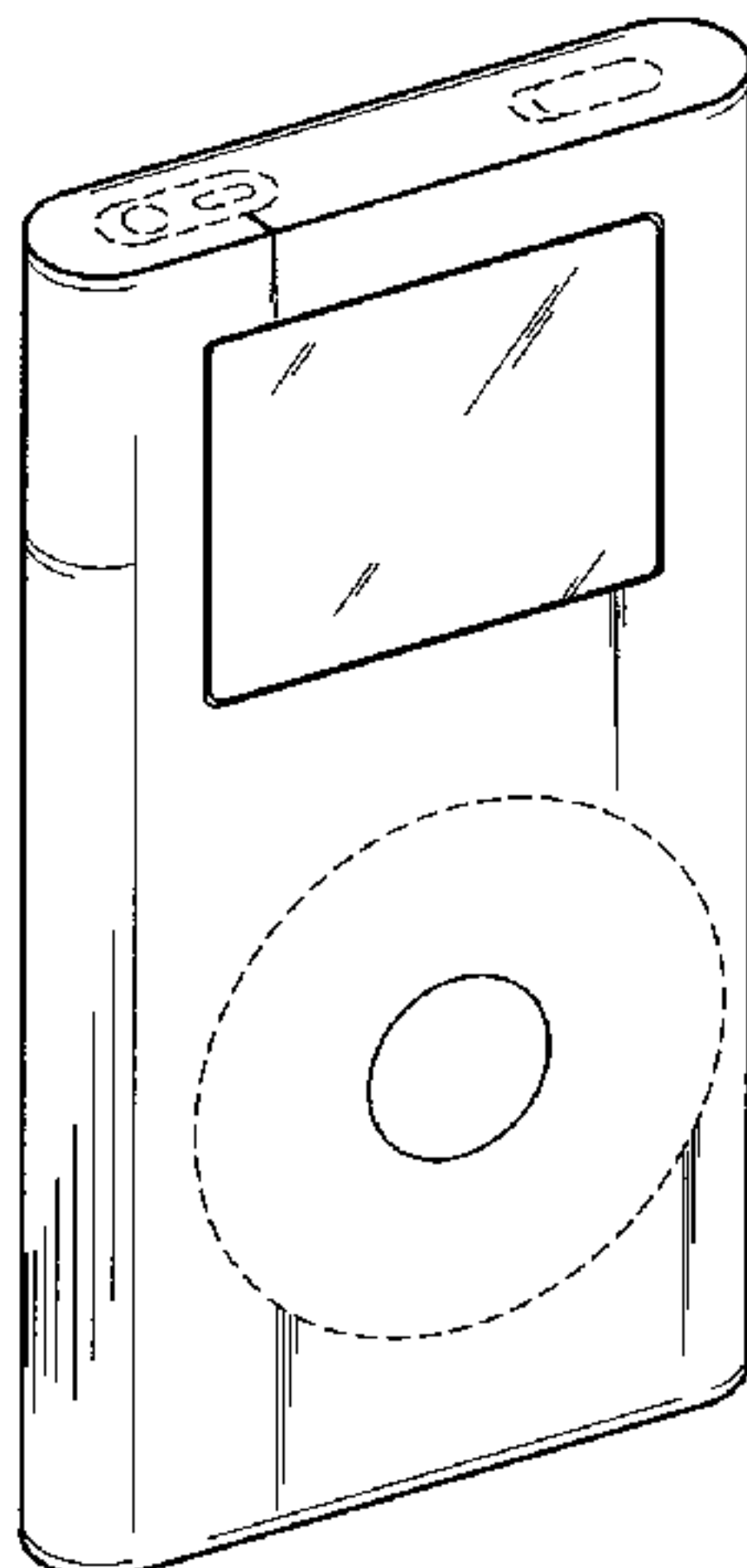
FIG. 5 is a bottom view thereof;

FIG. 6 is a right side view thereof; and,

FIG. 7 is a left side view thereof.

The broken line showing of portions of the media device are for the purpose of illustrating environmental structure and form no part of the claimed design.

1 Claim, 3 Drawing Sheets



US D608,342 S

Page 2

U.S. PATENT DOCUMENTS

4,976,435 A 12/1990 Shatford et al.
5,192,082 A 3/1993 Inoue et al.
D339,806 S * 9/1993 Grinkus D14/217
5,414,444 A * 5/1995 Britz 345/156
5,661,632 A 8/1997 Register
D412,940 S 8/1999 Kato et al.
5,964,661 A 10/1999 Dodge
D425,885 S 5/2000 Amron
D430,169 S 8/2000 Scibora
6,122,526 A 9/2000 Parulski et al.
D432,523 S 10/2000 Grinkus et al.
D437,860 S 2/2001 Suzuki et al.
D438,525 S 3/2001 Katayama
6,227,966 B1 5/2001 Yokoi
6,254,477 B1 7/2001 Sasaki et al.
6,262,785 B1 7/2001 Kim
D446,499 S 8/2001 Andre et al.
D448,810 S 10/2001 Goto
D450,713 S 11/2001 Masamitsu et al.
6,314,483 B1 11/2001 Goto et al.
D452,250 S 12/2001 Chan
D455,793 S 4/2002 Lin
D468,365 S 1/2003 Bransky et al.
D469,109 S 1/2003 Andre et al.
D472,245 S 3/2003 Andre et al.
D473,207 S 4/2003 Tanio
6,591,085 B1 7/2003 Grady
D483,809 S 12/2003 Lim
D486,813 S 2/2004 Chun
D489,052 S 4/2004 Shiraki et al.
D489,731 S 5/2004 Huang
D490,068 S 5/2004 Chen
D492,323 S 6/2004 Wang
D494,188 S 8/2004 Huang
D497,618 S 10/2004 Andre et al.
D499,388 S * 12/2004 Murakami D14/507

D503,409 S 3/2005 Wong et al.
D506,476 S 6/2005 Andre et al.
6,977,675 B2 12/2005 Kotzin
D515,545 S 2/2006 Griffin
D516,579 S 3/2006 Nakamura
7,013,164 B2 3/2006 Lin
D518,290 S 4/2006 Andre et al.
7,046,230 B2 5/2006 Zadesky et al.
D529,512 S 10/2006 Reawsanguanwong
D543,553 S 5/2007 Langberg et al.
7,230,822 B2 6/2007 Langberg et al.
D551,680 S 9/2007 Andre et al.
D553,129 S 10/2007 Andre et al.
7,281,214 B2 10/2007 Fadell et al.
D575,304 S 8/2008 Andre et al.
D584,743 S 1/2009 Sheba et al.
D589,979 S 4/2009 Andre et al.
D591,766 S 5/2009 Andre et al.
D592,227 S 5/2009 Oh et al.
D593,994 S * 6/2009 Andre et al. D14/203.7

FOREIGN PATENT DOCUMENTS

CN 3260633D 10/2002
CN 3269799D 12/2002
CN 3286007D 4/2003
CN 3287344D 4/2003
CN 3331371D 10/2003
CN 3339759D 12/2003
CN 3375890D 6/2004
CN 3380859D 7/2004
CN 3389184D 9/2004
CN 3389185D 9/2004

OTHER PUBLICATIONS

U.S. Appl. No. 29/224,220, Andre et al., "Electronic Device", filed Feb. 25, 2005.

* cited by examiner

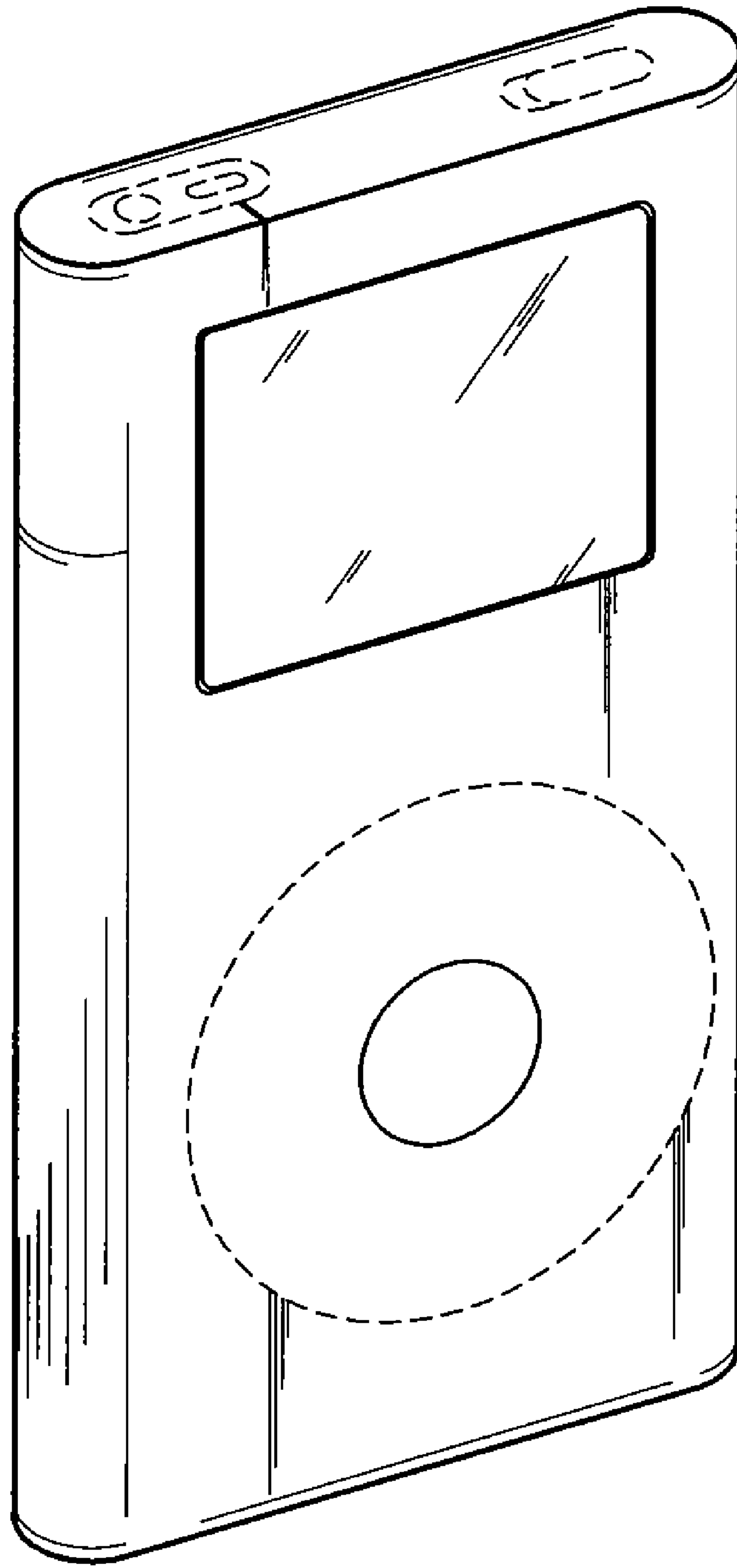


FIG. 1

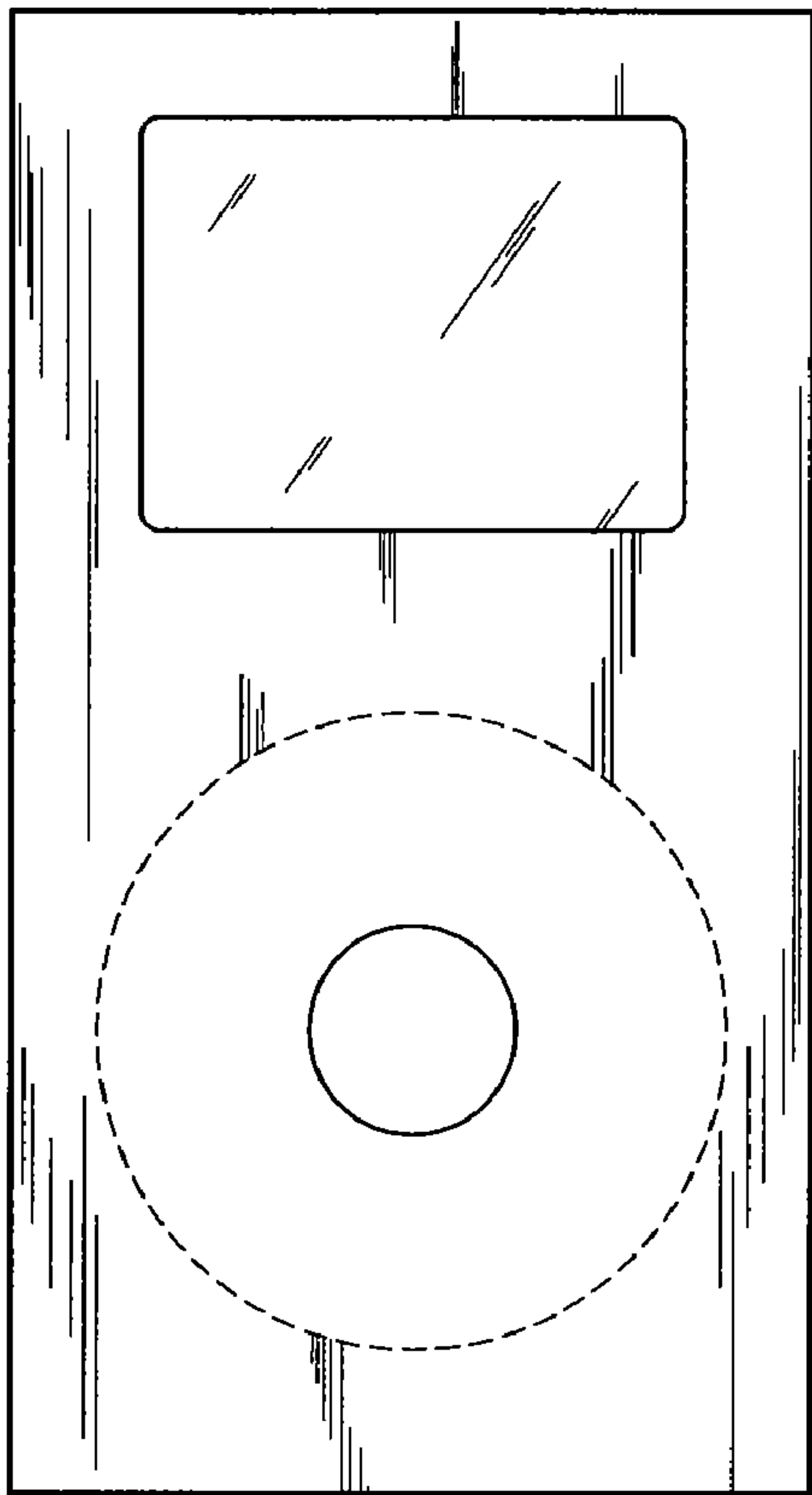


FIG. 2

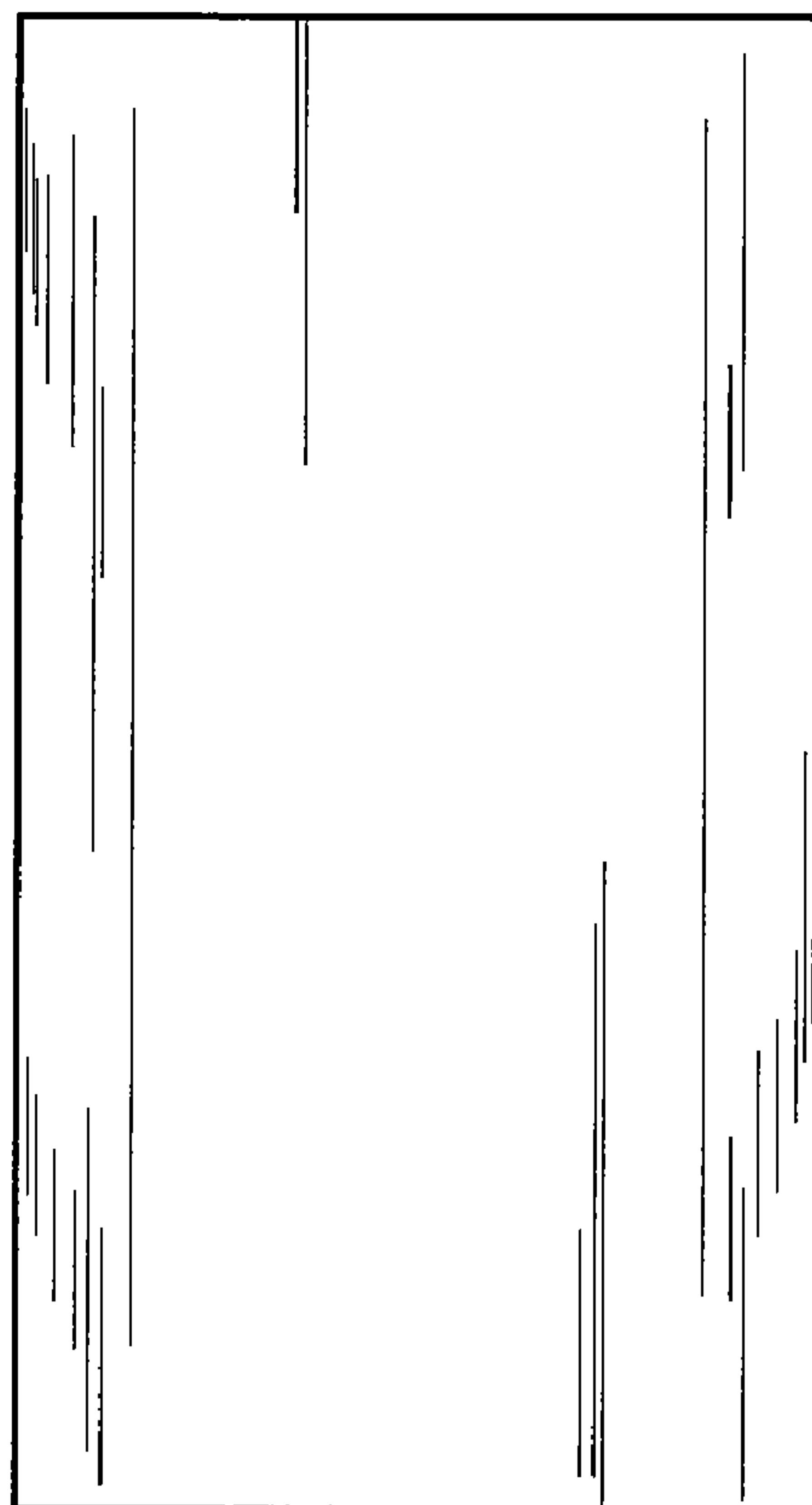


FIG. 3

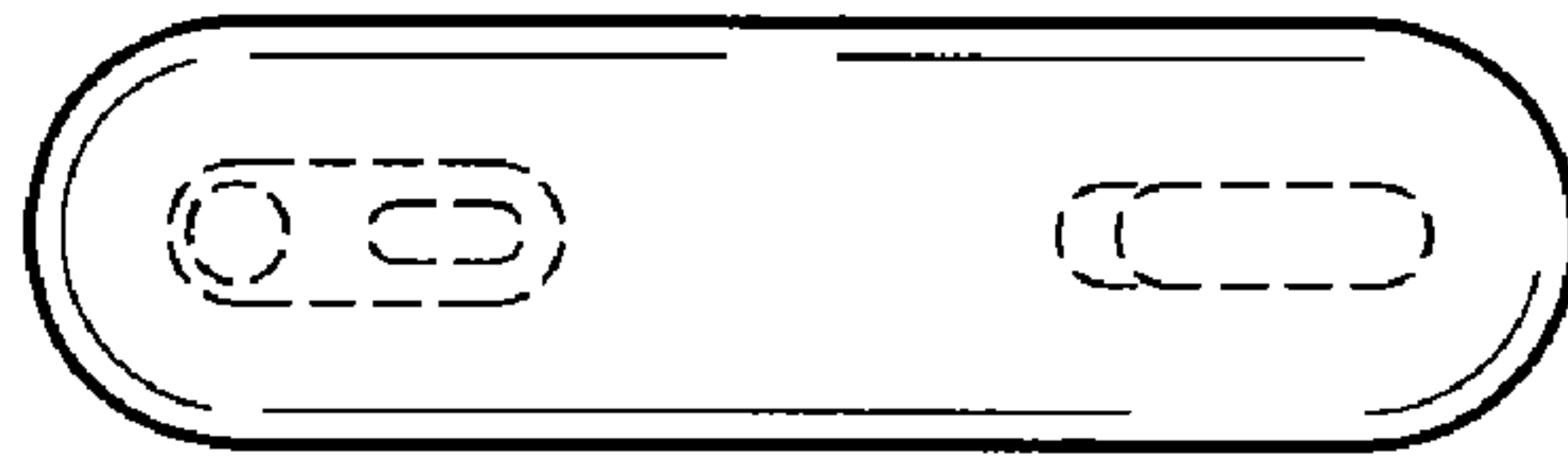


FIG. 4

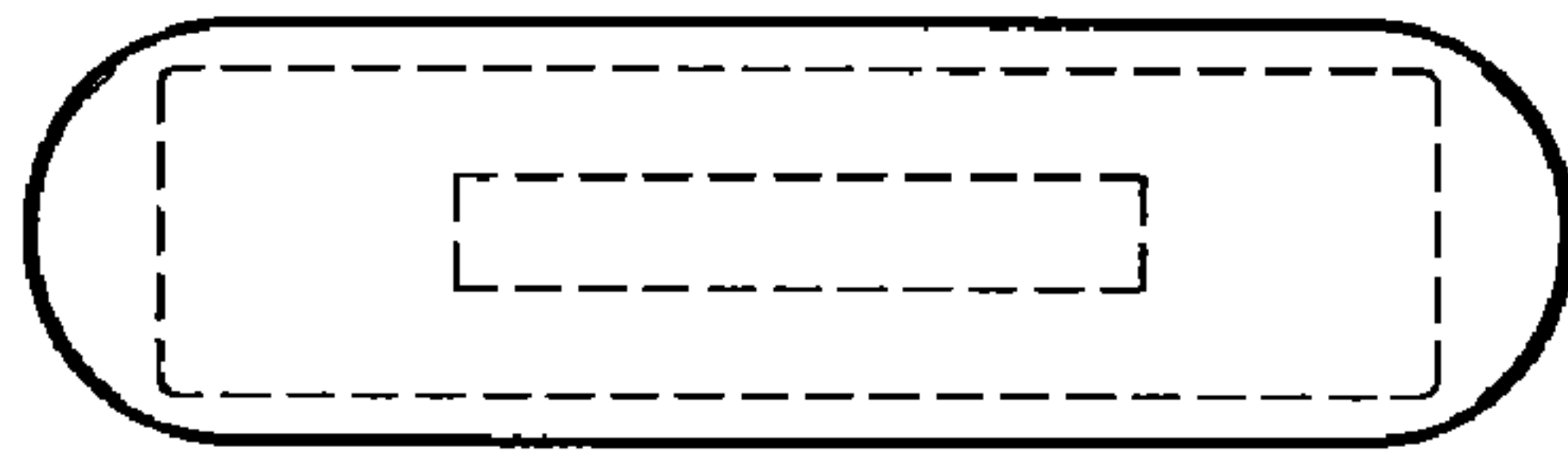


FIG. 5

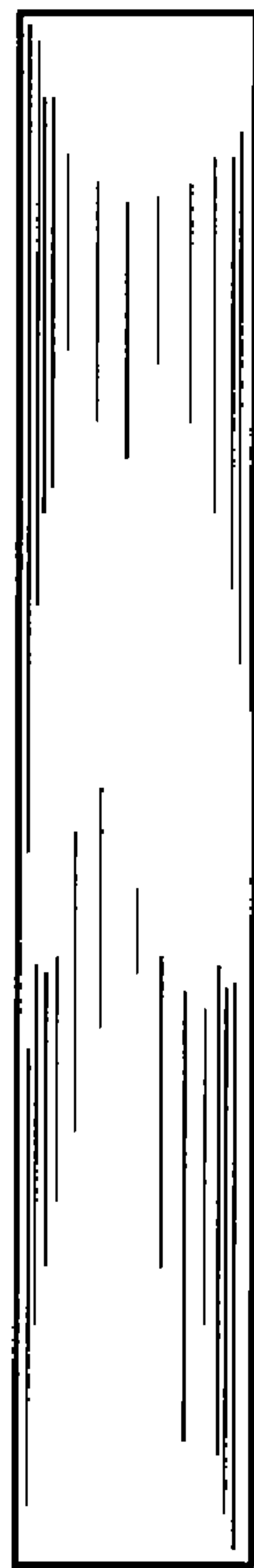


FIG. 6

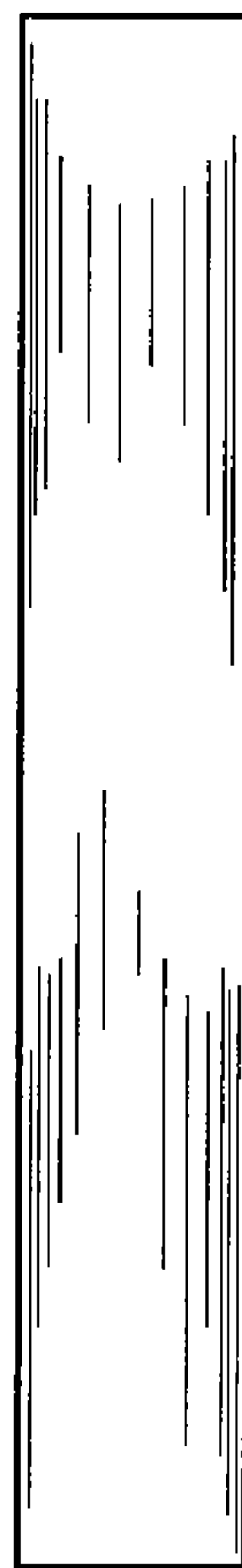


FIG. 7