



US00D608341S

(12) **United States Design Patent**
Nakagawa

(10) **Patent No.:** **US D608,341 S**
(45) **Date of Patent:** **** Jan. 19, 2010**

(54) **RADIO COMMUNICATION DEVICE**

(75) Inventor: **Masashi Nakagawa**, Osaka (JP)

(73) Assignee: **Icom Incorporated** (JP)

(**) Term: **14 Years**

(21) Appl. No.: **29/338,386**

(22) Filed: **Jun. 10, 2009**

(30) **Foreign Application Priority Data**

Dec. 8, 2008 (JP) 2008-032089

(51) **LOC (9) Cl.** **14-01**

(52) **U.S. Cl.** **D14/198; D14/188; D14/137;**
D14/258

(58) **Field of Classification Search** D14/137,
D14/155, 160–17, 188, 192–198, 204, 217,
D14/257, 258, 265; 455/344–351; 369/6–12
See application file for complete search history.

(56) **References Cited**

U.S. PATENT DOCUMENTS

D279,000 S * 5/1985 Sarges D14/157
D331,406 S * 12/1992 Goatman D14/137
D345,354 S * 3/1994 Ichimura D14/137
D365,568 S * 12/1995 Tokiyama D14/258
D391,255 S * 2/1998 Lindeman D14/157
D514,077 S * 1/2006 Haase et al. D14/137

D531,163 S * 10/2006 Kaner et al. D14/188
D531,982 S * 11/2006 Akita D14/188
D571,353 S * 6/2008 Fukutake D14/198
D599,776 S * 9/2009 Nakagawa D14/188

* cited by examiner

Primary Examiner—Stella M Reid

Assistant Examiner—Keli L Hill

(74) *Attorney, Agent, or Firm*—SAIDMAN DesignLaw Group

(57) **CLAIM**

The ornamental design for a radio communication device, as shown and described.

DESCRIPTION

FIG. 1 is a front perspective view of a radio communication device showing my new design;

FIG. 2 is a front view thereof;

FIG. 3 is a rear view thereof;

FIG. 4 is a right-side view thereof;

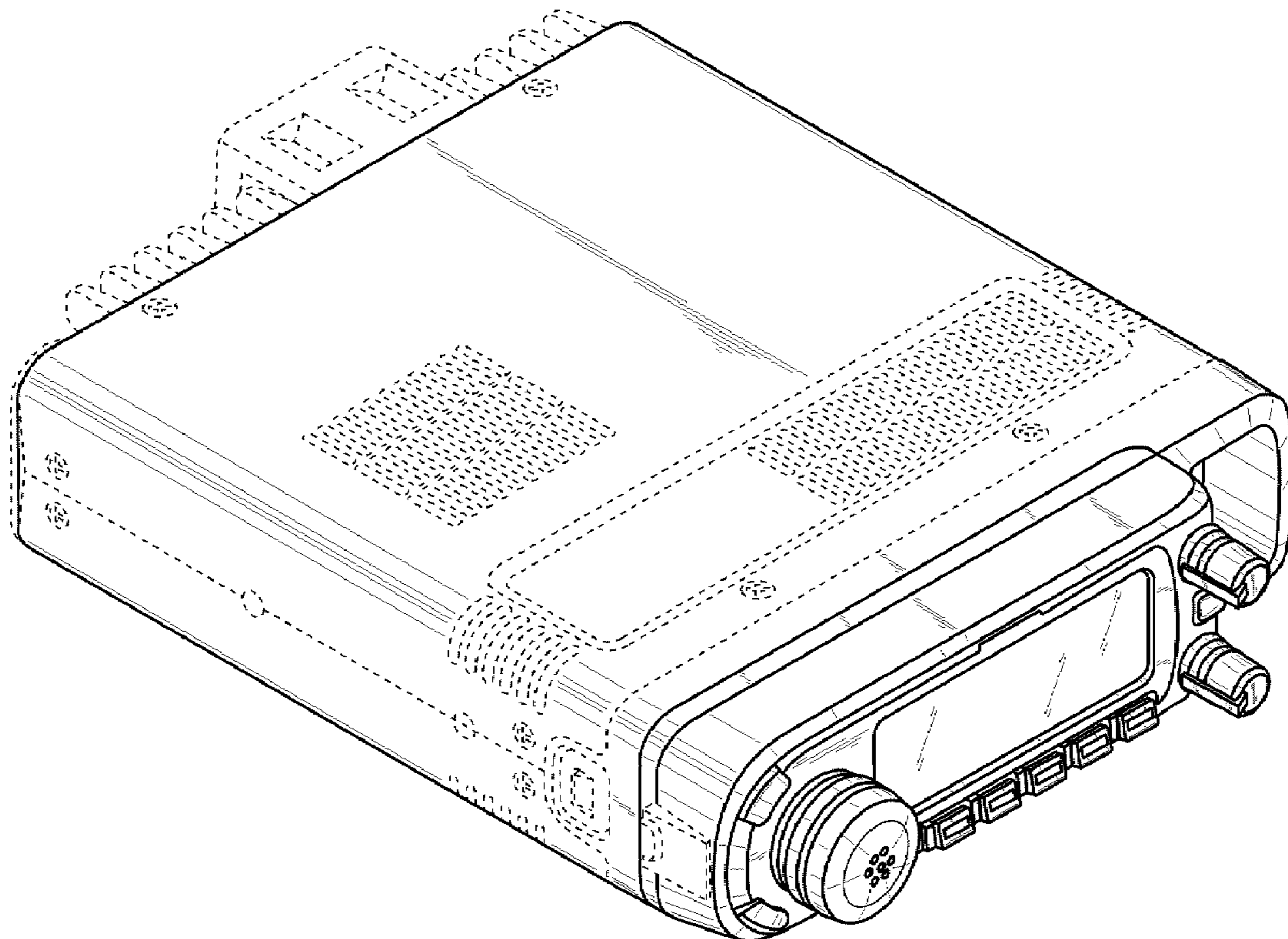
FIG. 5 is a left-side view thereof;

FIG. 6 is a top thereof; and,

FIG. 7 is a bottom top thereof.

The broken lines are environmental only and form no part of the claimed design.

1 Claim, 5 Drawing Sheets



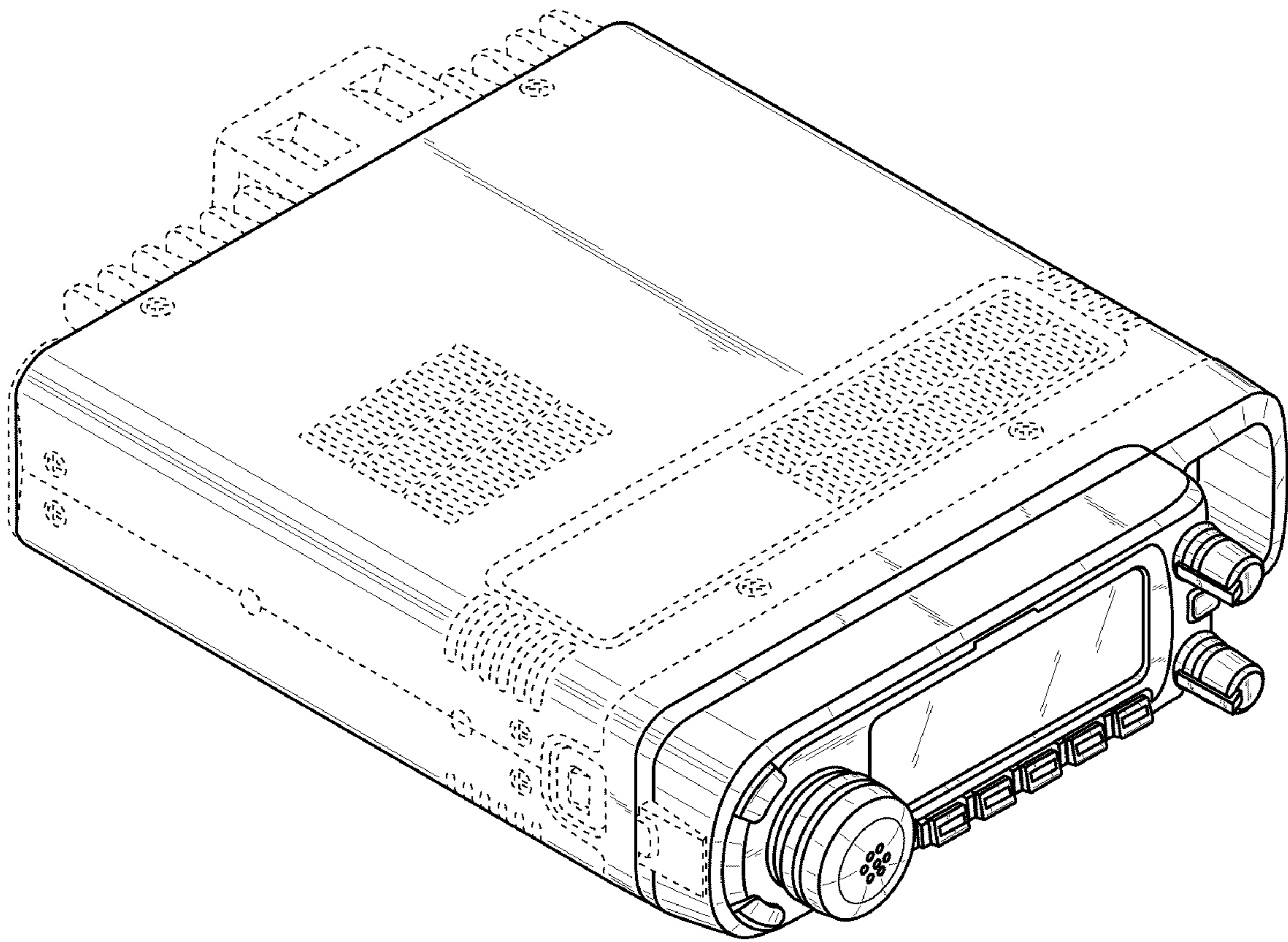


Fig. 1

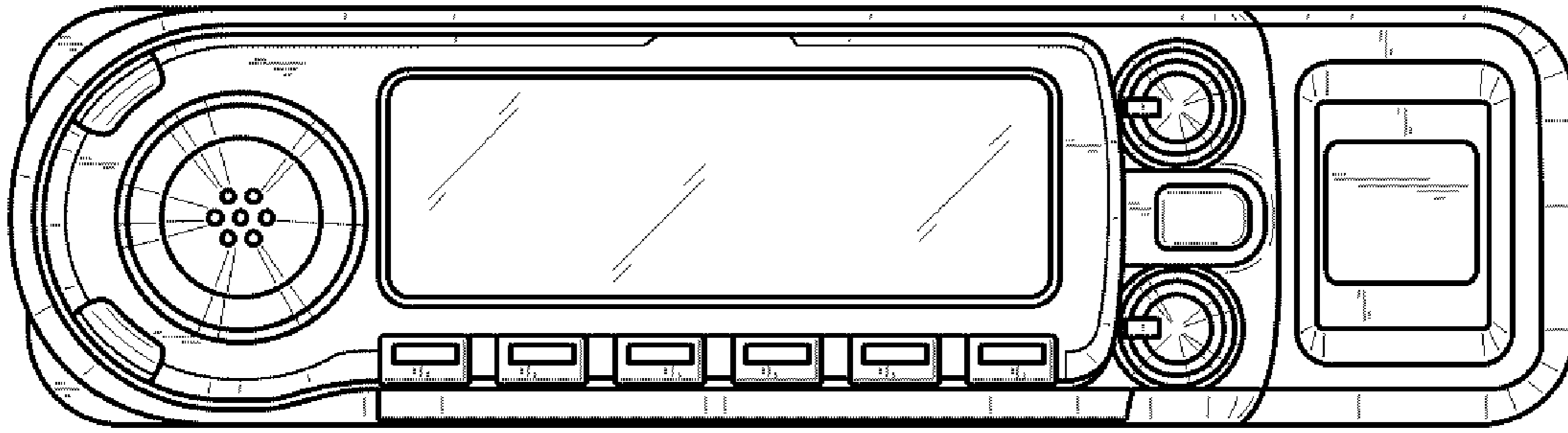


Fig. 2

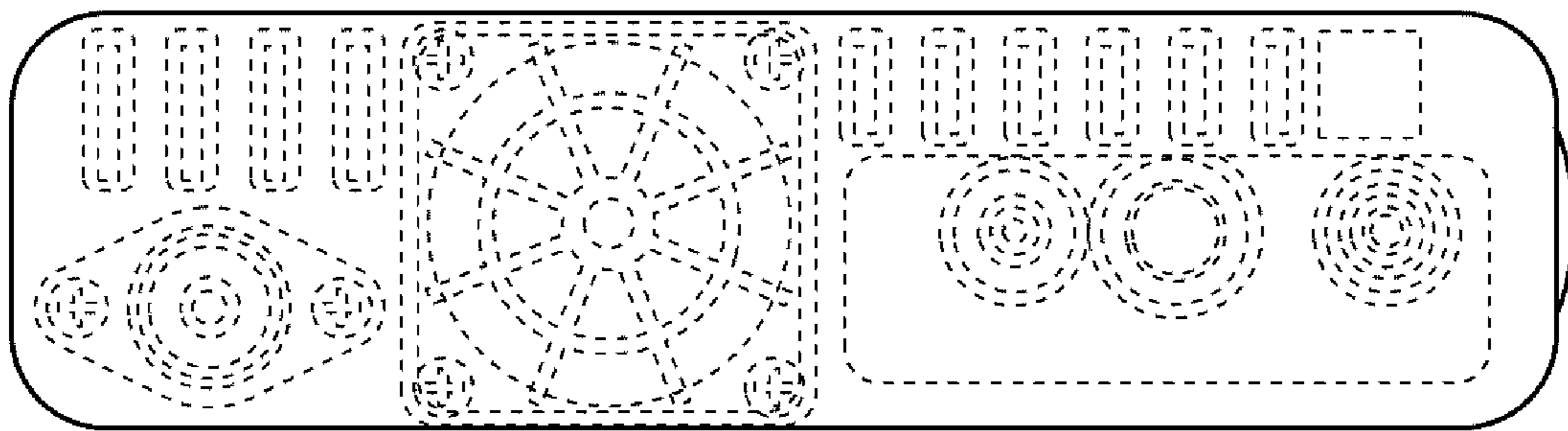


Fig. 3

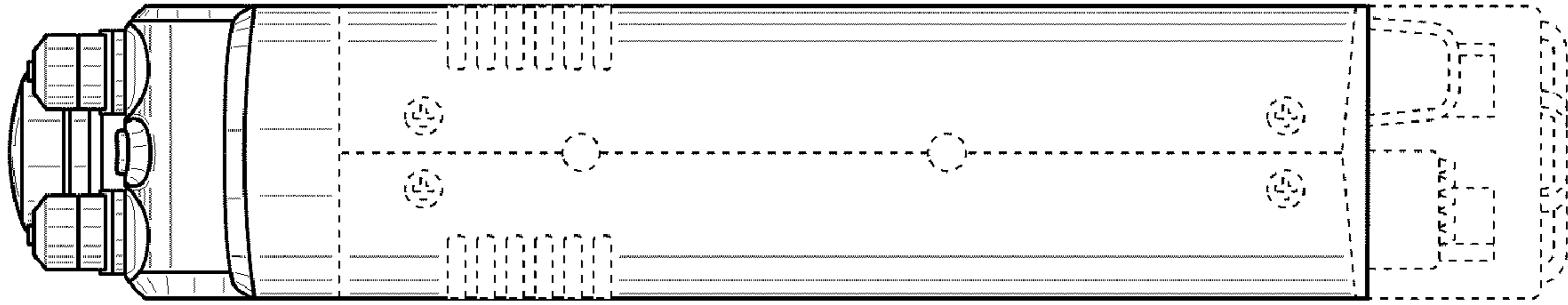


Fig. 4

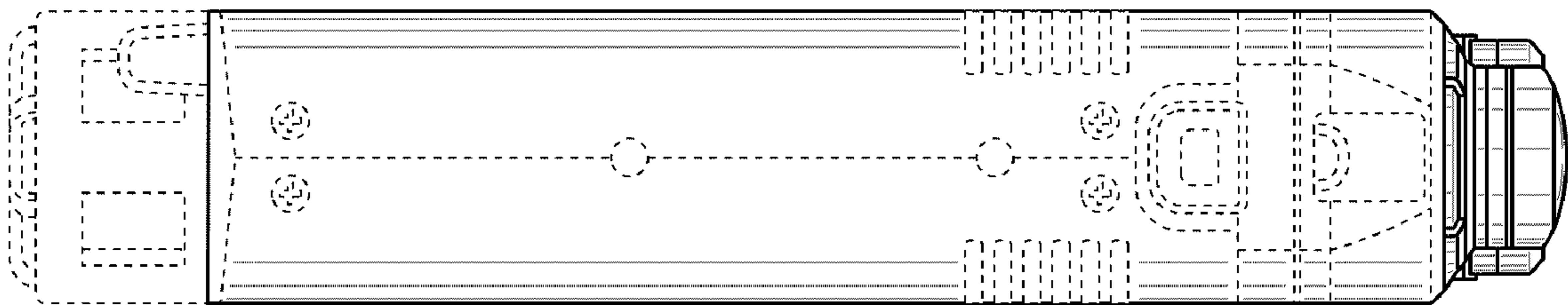


Fig. 5

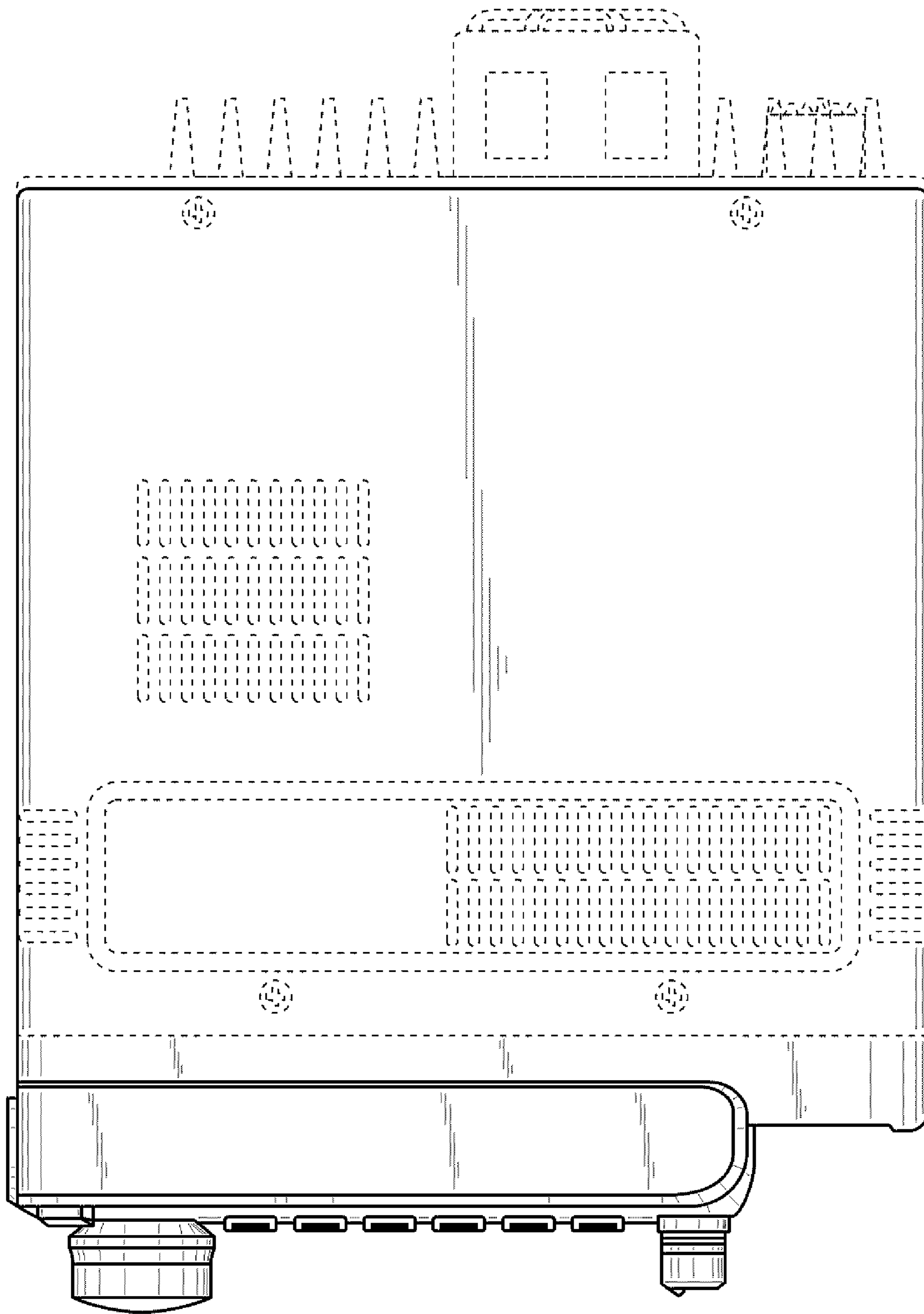


Fig. 6

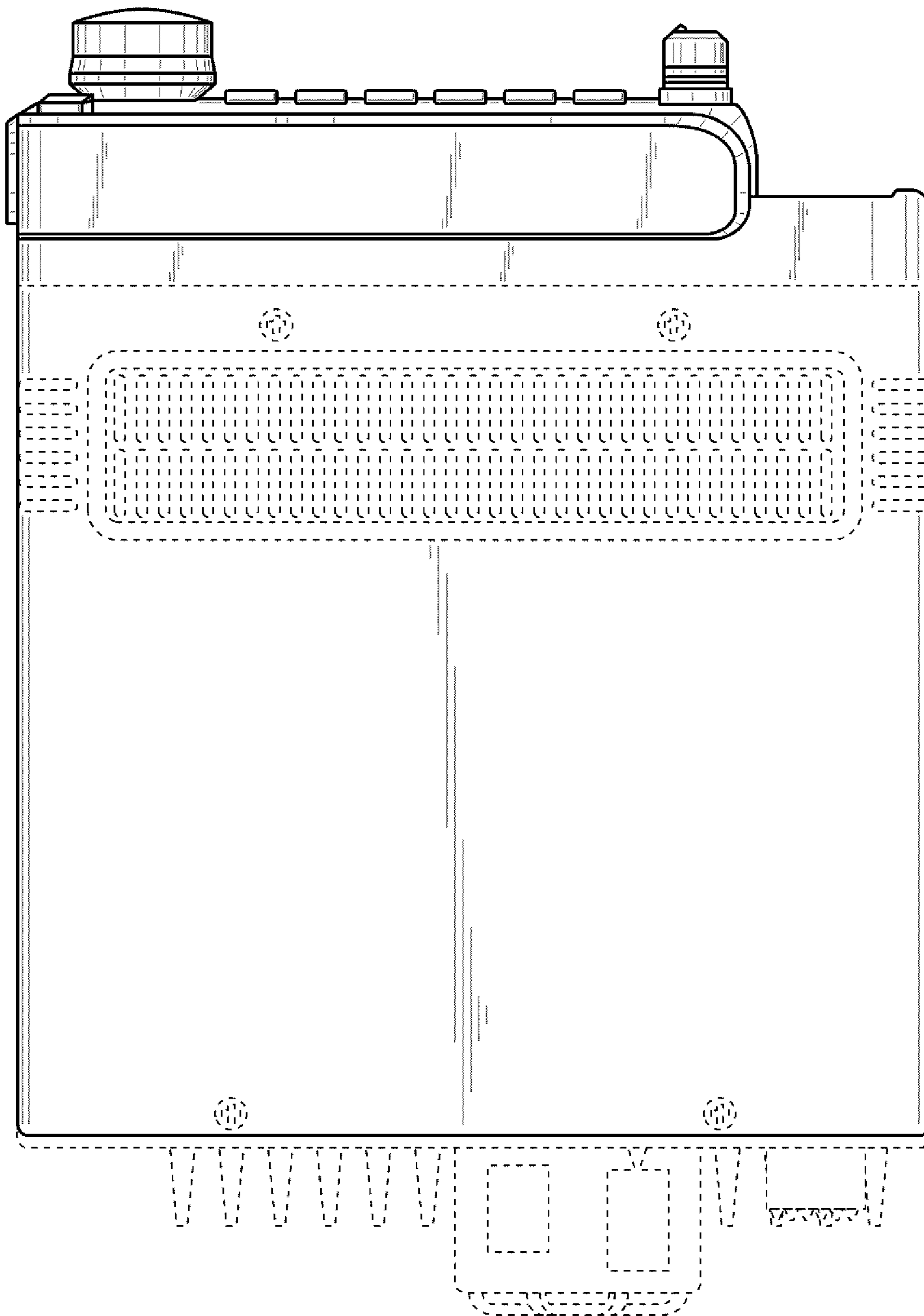


Fig. 7

UNITED STATES PATENT AND TRADEMARK OFFICE
CERTIFICATE OF CORRECTION

PATENT NO. : Des. 608,341 S
APPLICATION NO. : 29/338386
DATED : January 19, 2010
INVENTOR(S) : Masashi Nakagawa

Page 1 of 1

It is certified that error appears in the above-identified patent and that said Letters Patent is hereby corrected as shown below:

Title page, item [30] in the Foreign Application Priority Data:

Currently:

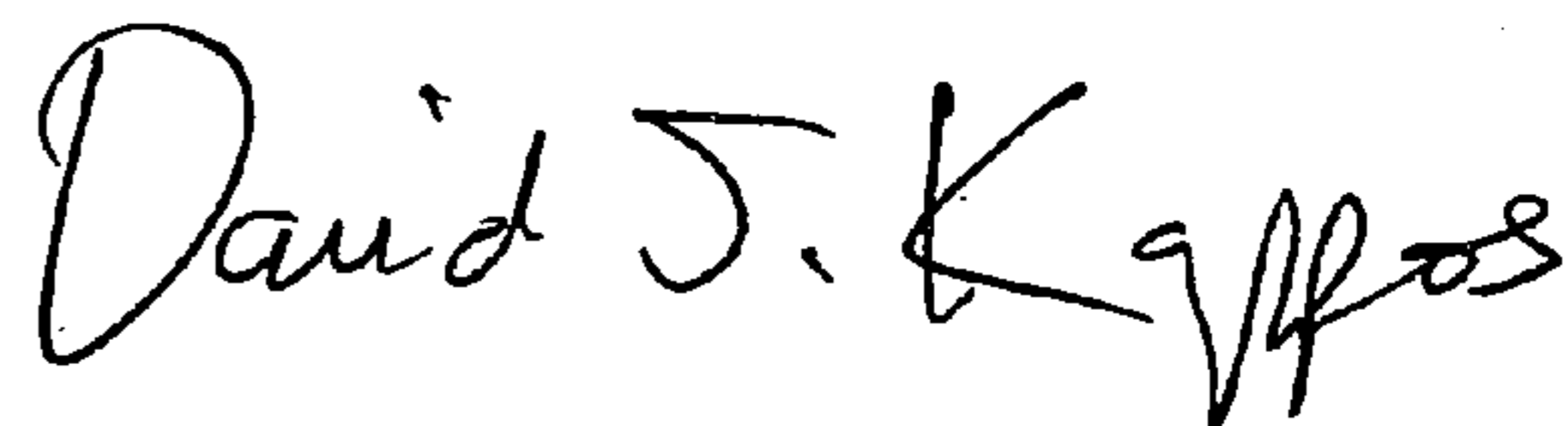
Dec. 8, 2008 (JP) 2008-032089

Should be:

Dec. 18, 2008 (JP) 2008-032089

Signed and Sealed this

Sixteenth Day of February, 2010

A handwritten signature in black ink that reads "David J. Kappos". The signature is written in a cursive, slightly slanted style.

David J. Kappos
Director of the United States Patent and Trademark Office