



US00D608340S

(12) **United States Design Patent**
Nishizawa

(10) **Patent No.:** **US D608,340 S**
(45) **Date of Patent:** **** Jan. 19, 2010**

(54) **RADIO COMMUNICATION DEVICE**

D531,982 S * 11/2006 Akita D14/188
D575,266 S * 8/2008 Nishida D14/198
D599,775 S * 9/2009 Onoue D14/188

(75) Inventor: **Haruki Nishizawa**, Osaka (JP)

* cited by examiner

(73) Assignee: **Icom Incorporated** (JP)

Primary Examiner—Stella M Reid

(**) Term: **14 Years**

Assistant Examiner—Keli L Hill

(21) Appl. No.: **29/336,349**

(74) *Attorney, Agent, or Firm*—SAIDMAN DesignLaw Group

(22) Filed: **May 1, 2009**

(57) **CLAIM**

(30) **Foreign Application Priority Data**

The ornamental design for a radio communication device, as shown and described.

Feb. 23, 2009 (JP) 2009-003698

(51) **LOC (9) Cl.** **14-01**

DESCRIPTION

(52) **U.S. Cl.** **D14/198; D14/188; D14/137; D14/258**

FIG. 1 is a front, perspective view of a radio communication device showing my new design;

(58) **Field of Classification Search** D14/137, D14/155, 160–17, 188, 192–198, 204, 217, D14/257, 258, 265; 455/344–351; 369/6–12
See application file for complete search history.

FIG. 2 is a front view thereof;

FIG. 3 is a rear view thereof;

FIG. 4 is a left-side view thereof;

FIG. 5 is a right-side view thereof;

FIG. 6 is a top view thereof; and,

FIG. 7 is a bottom view thereof.

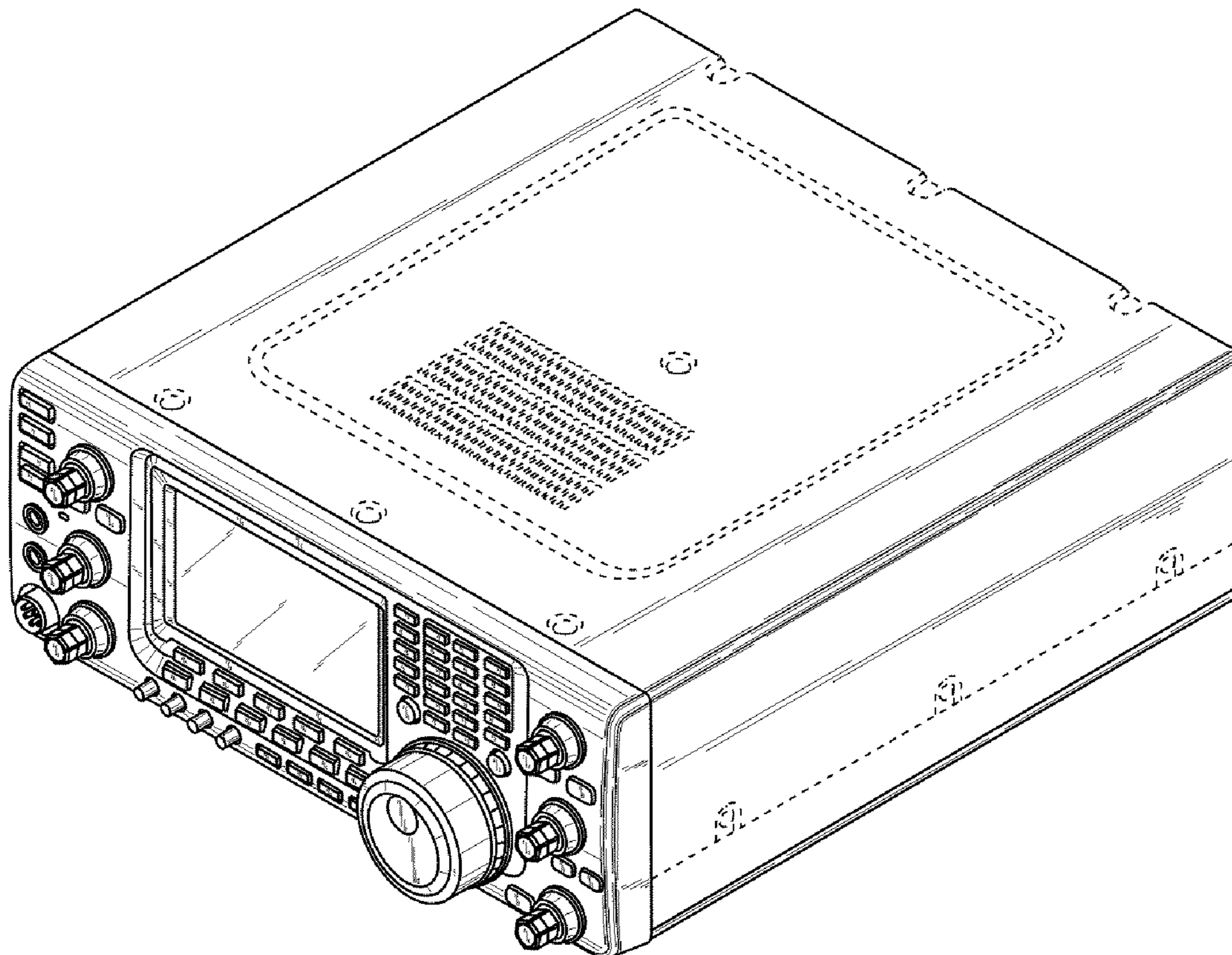
The broken lines are environmental only and form no part of the claimed design.

(56) **References Cited**

U.S. PATENT DOCUMENTS

D329,849 S * 9/1992 Tokiyama et al. D14/137
D345,354 S * 3/1994 Ichimura D14/137
D504,881 S * 5/2005 Kangasmaa D14/188
D514,077 S * 1/2006 Haase et al. D14/137
D531,163 S * 10/2006 Kaner et al. D14/188

1 Claim, 5 Drawing Sheets



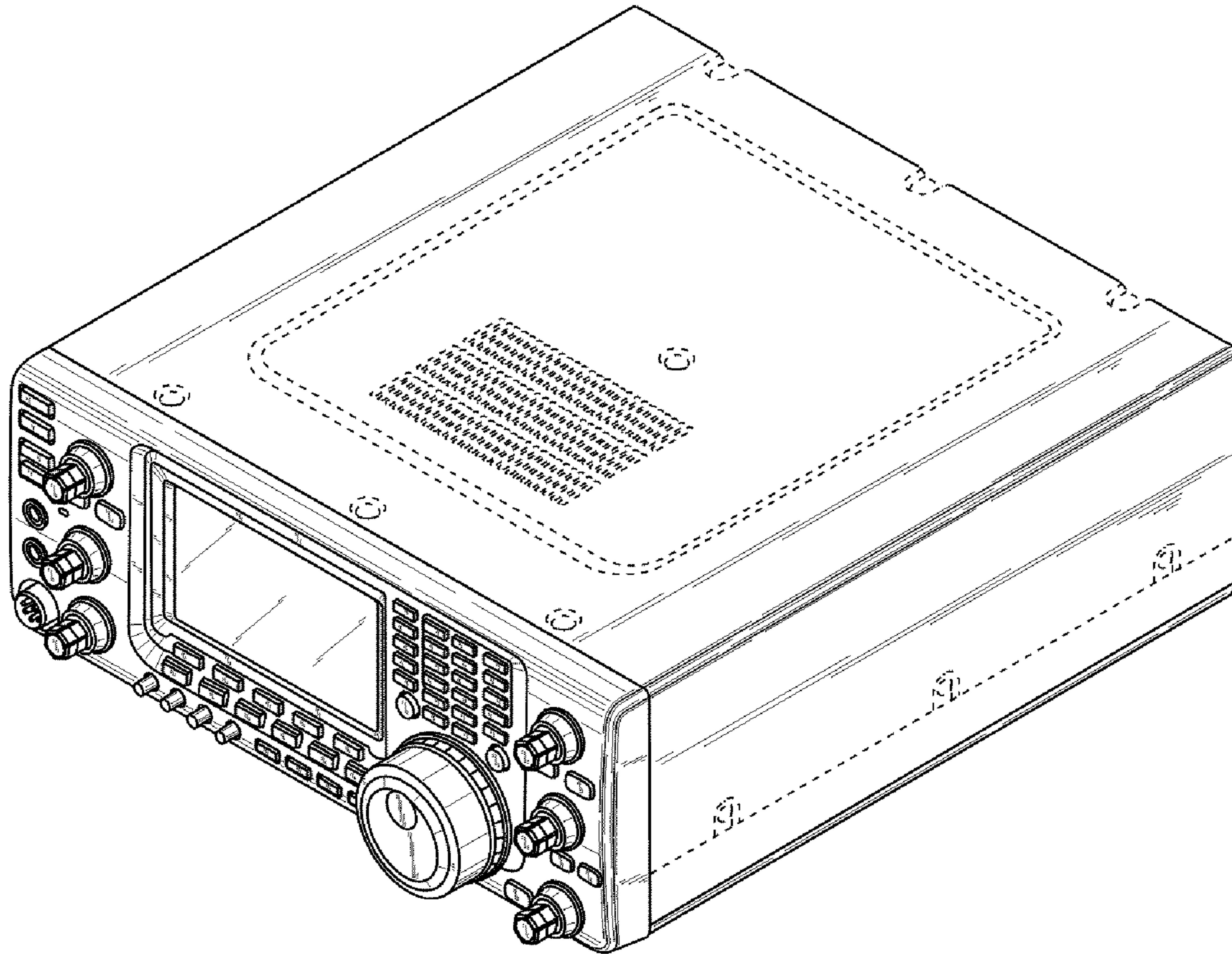


Fig. 1

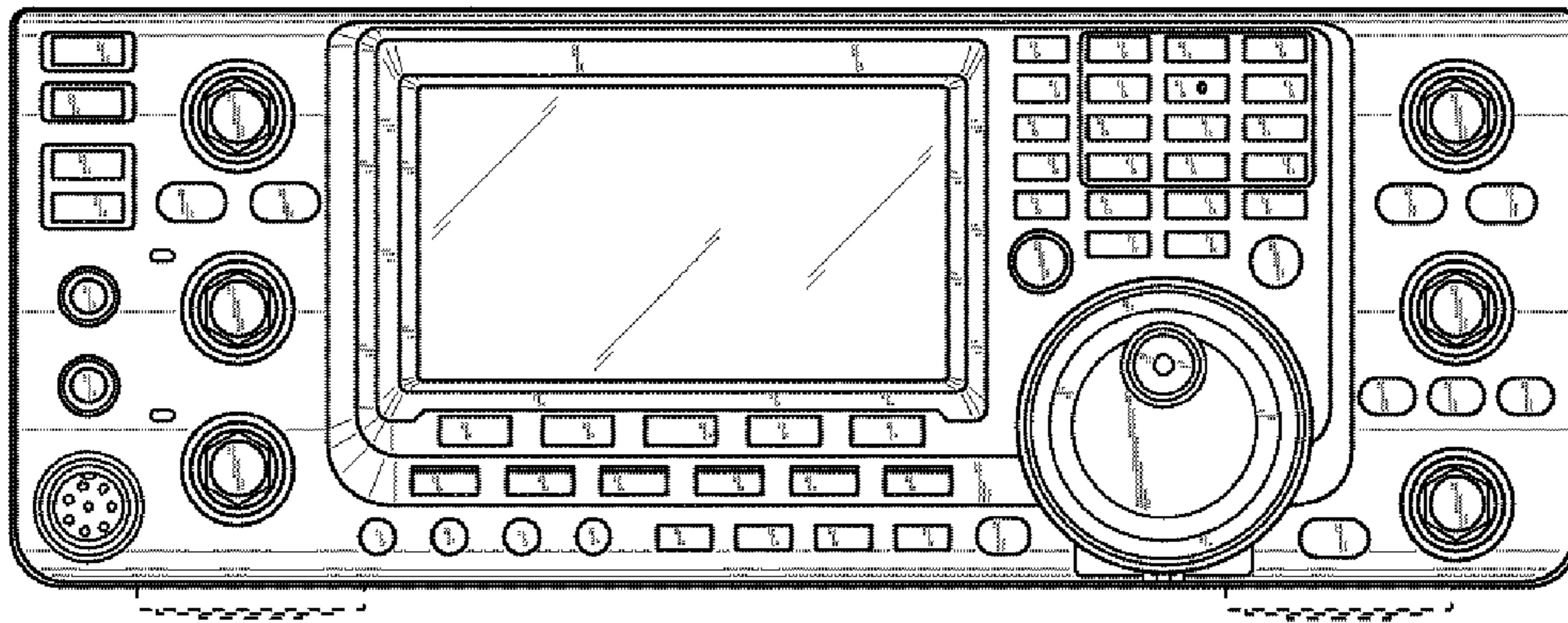


Fig. 2

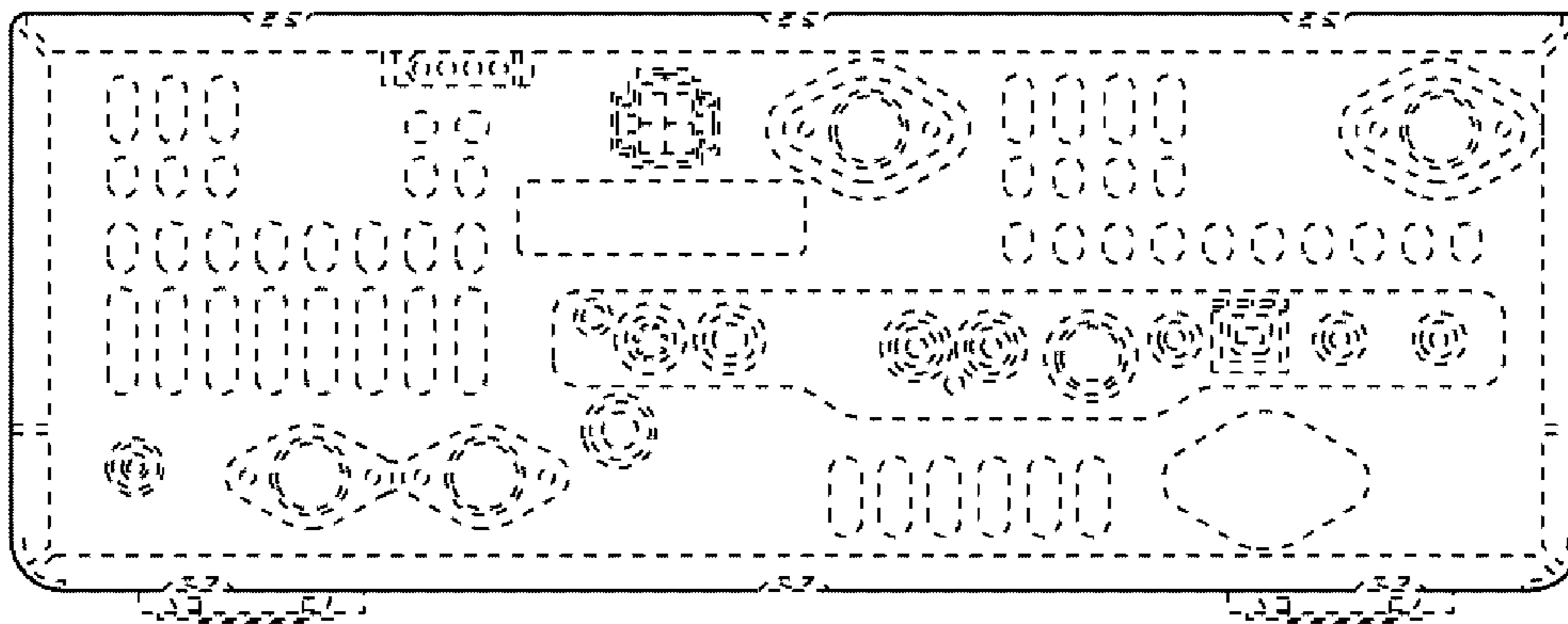


Fig. 3

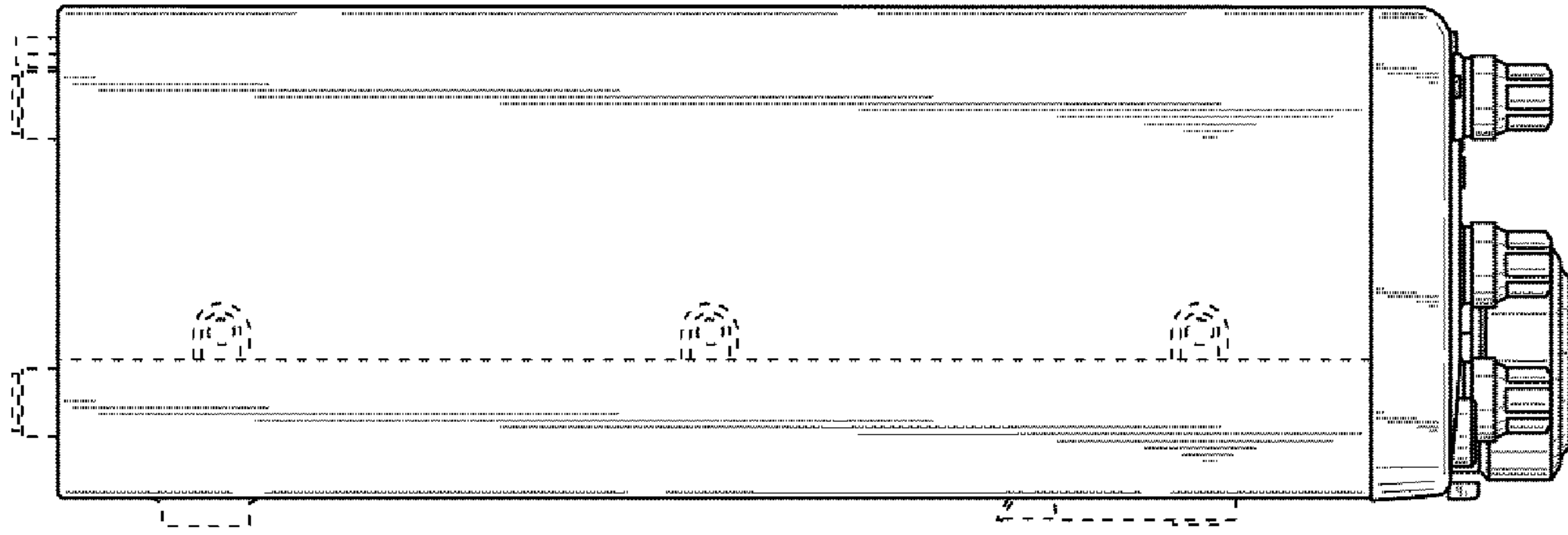


Fig. 4

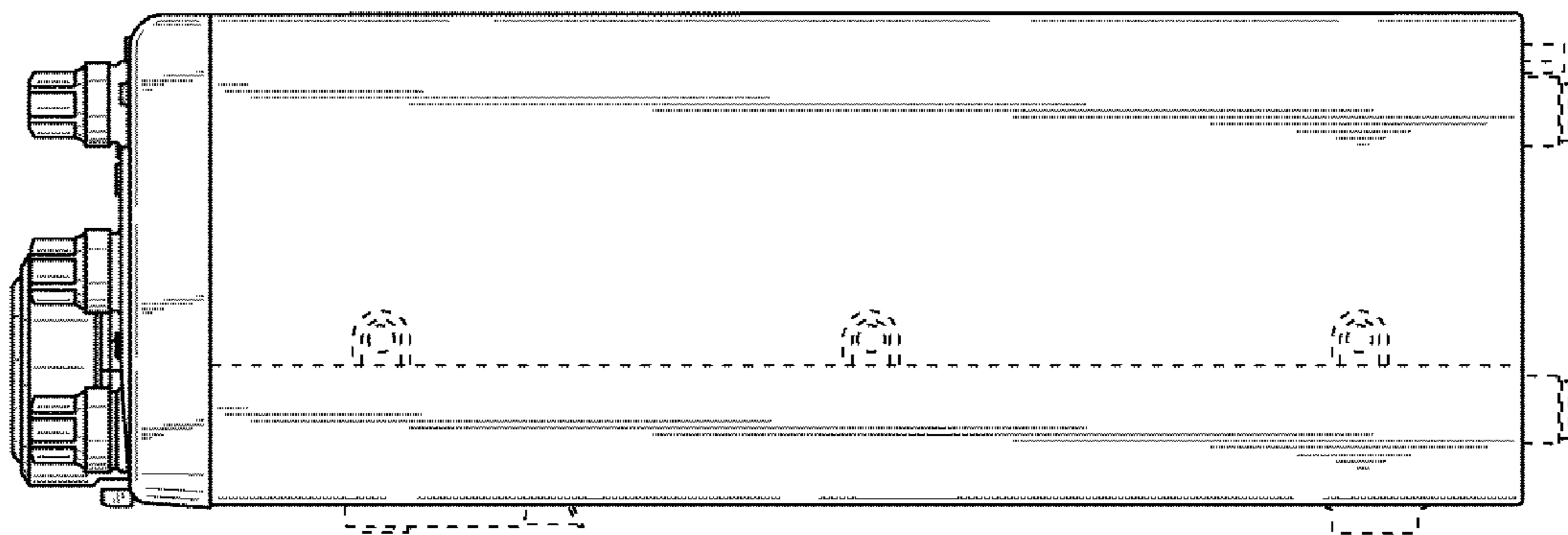


Fig. 5

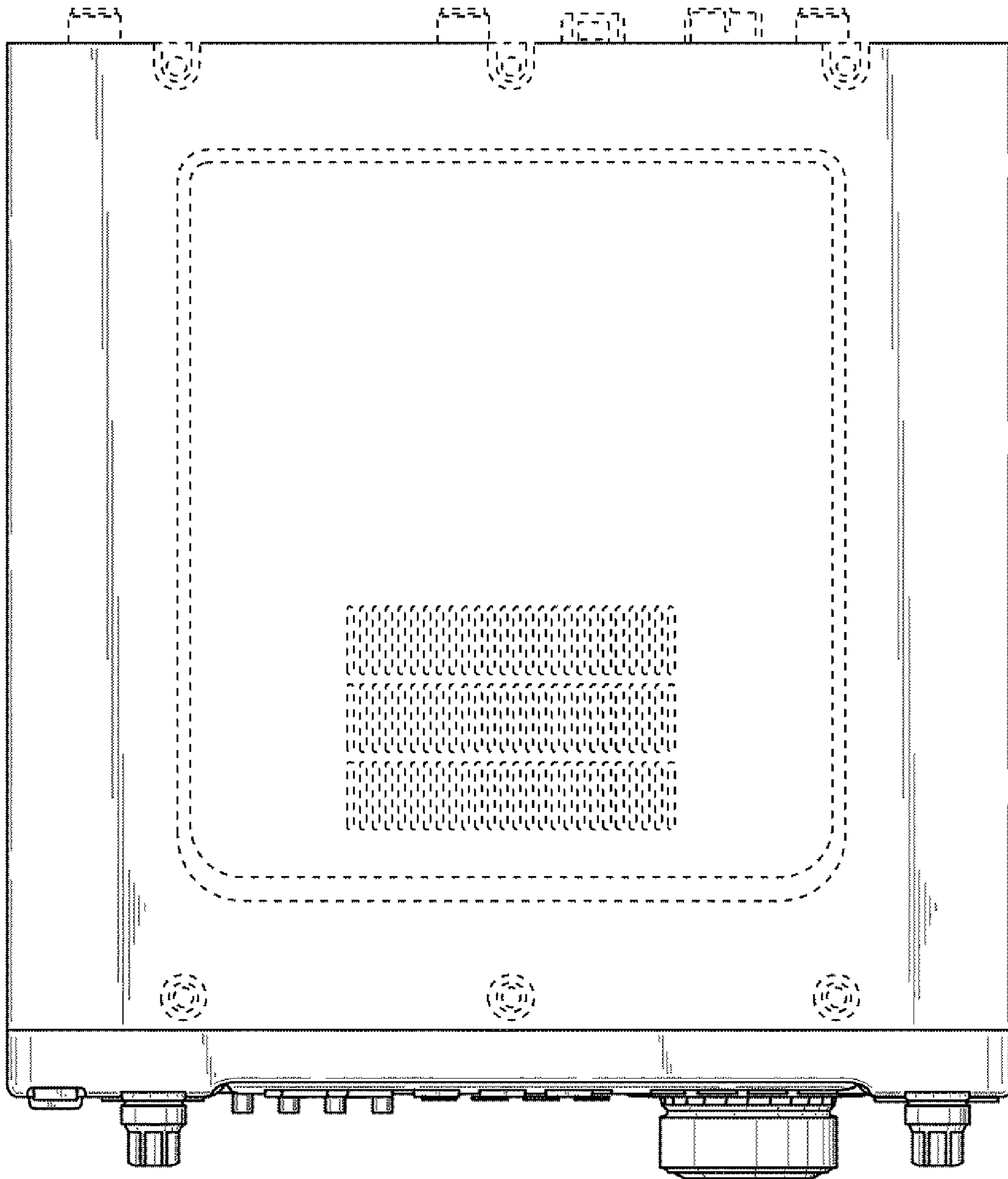


Fig. 6

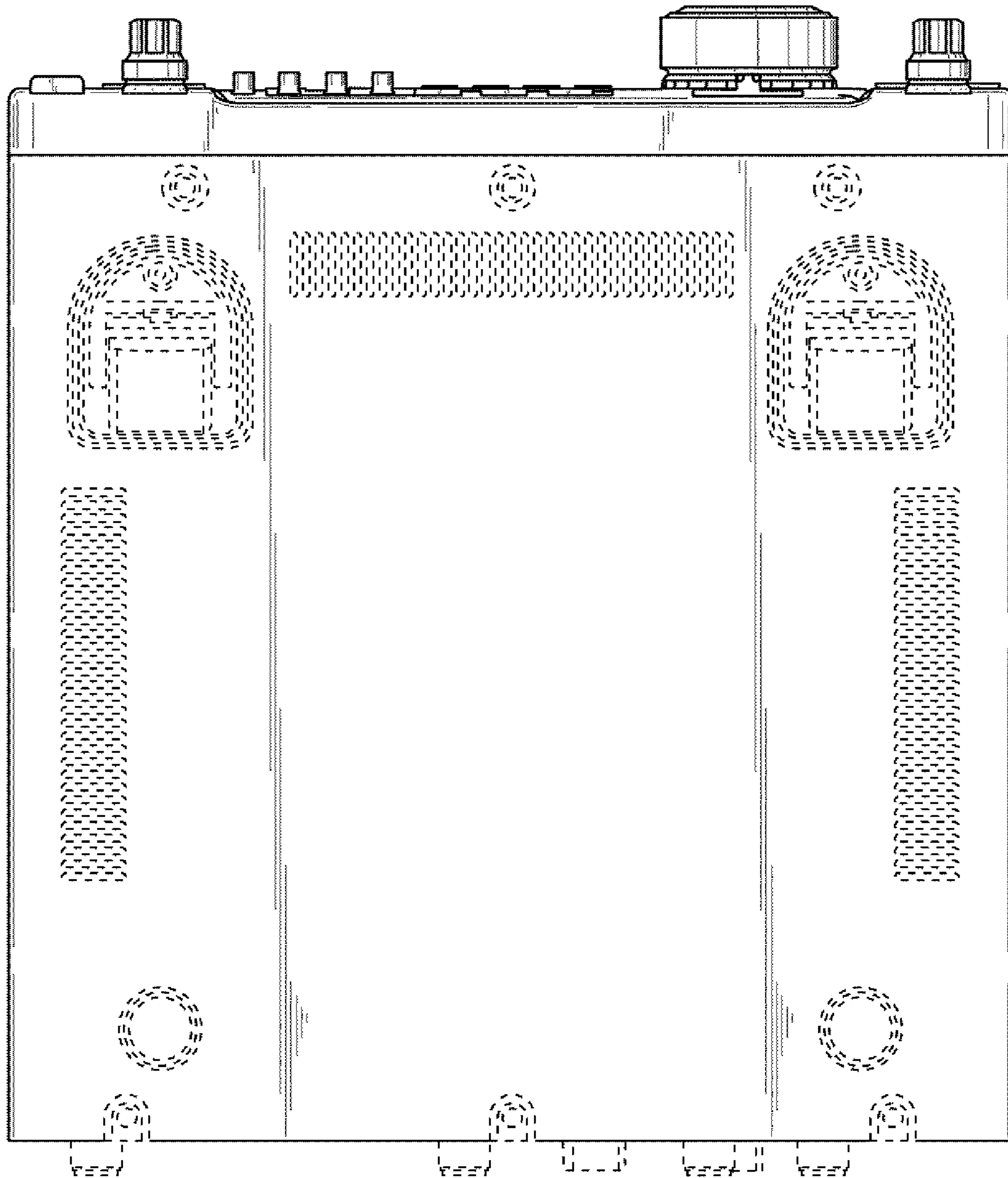


Fig. 7