



US00D608339S

(12) **United States Design Patent**
Sanders

(10) **Patent No.:** **US D608,339 S**
(45) **Date of Patent:** **** Jan. 19, 2010**

(54) **AUDIO RECEIVER WITH SIDE-MOUNTED LED DISPLAY**

D452,225 S * 12/2001 Becker D14/155
D571,353 S * 6/2008 Fukutake D14/188

(75) Inventor: **Glenn Norman Sanders**, Franklin Lakes, NJ (US)

* cited by examiner

(73) Assignee: **Zaxcom, Inc.**, Pompton Plains, NJ (US)

Primary Examiner—Stella M Reid
Assistant Examiner—Keli L Hill

(**) Term: **14 Years**

(74) *Attorney, Agent, or Firm*—Law Offices of Rita C. Chipperson, P.C.

(21) Appl. No.: **29/332,813**

(57) **CLAIM**

(22) Filed: **Feb. 26, 2009**

The ornamental design for an audio receiver with side-mounted LED display, as shown and described.

(51) **LOC (9) Cl.** **14-03**

(52) **U.S. Cl.** **D14/188**

(58) **Field of Classification Search** D14/168,
D14/169, 179, 188, 194–198, 215, 217, 257,
D14/265, 299, 496; 330/1 R, 3, 4, 250; 381/86,
381/120; 455/344–351

DESCRIPTION

See application file for complete search history.

FIG. 1 is a perspective view of an audio receiver with side-mounted LED display;

FIG. 2 is a front elevational view thereof;

FIG. 3 is a rear elevational view thereof;

FIG. 4 is a right side elevational view thereof;

FIG. 5 is a left side elevational view thereof;

FIG. 6 is a top plan view thereof; and,

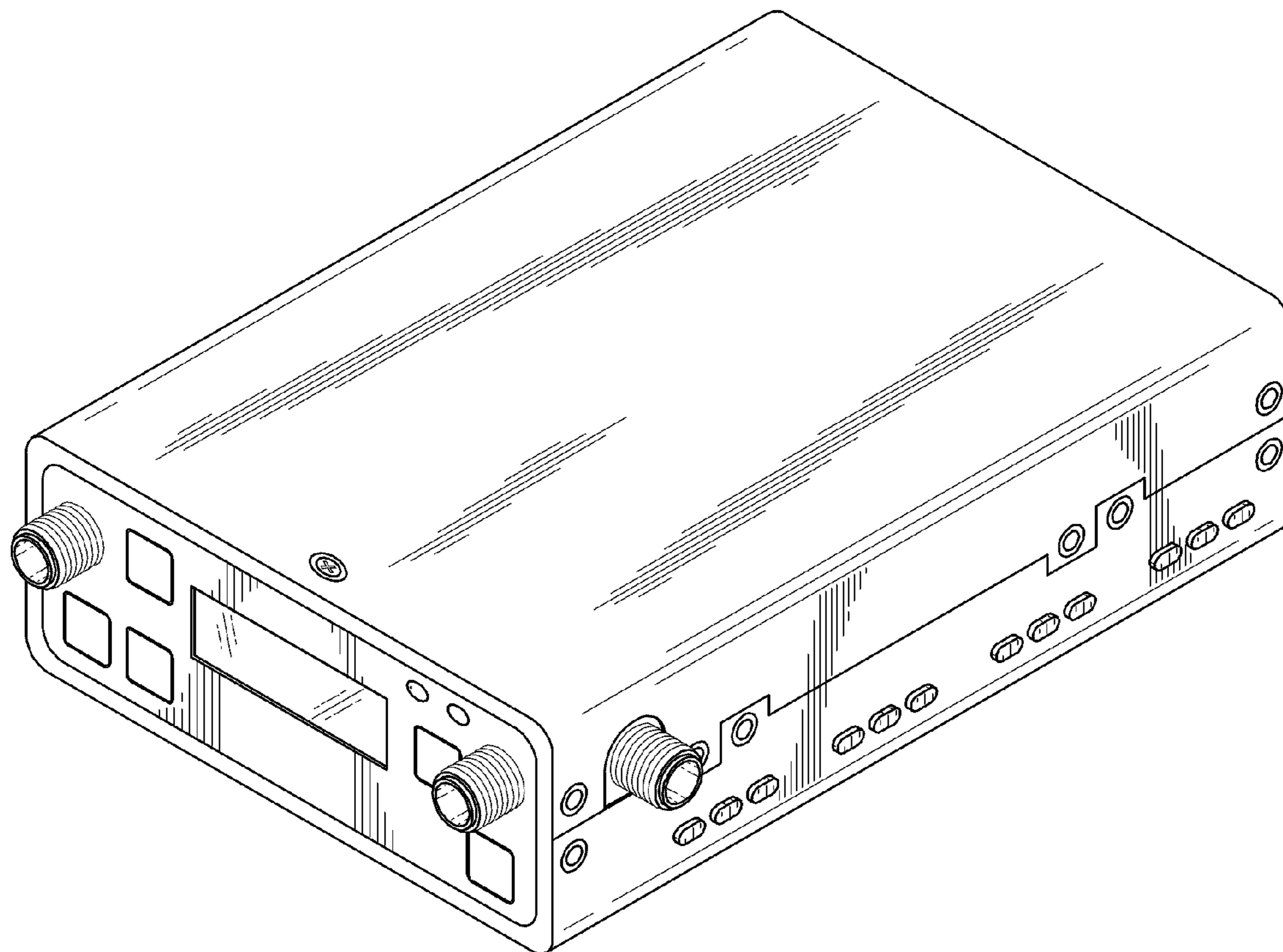
FIG. 7 is a bottom plan view thereof.

(56) **References Cited**

U.S. PATENT DOCUMENTS

D255,882 S * 7/1980 Kim D10/121
D368,474 S * 4/1996 Wise D14/188
D398,913 S * 9/1998 Tseng D14/435
D428,006 S * 7/2000 Sagues et al. D14/356

1 Claim, 5 Drawing Sheets



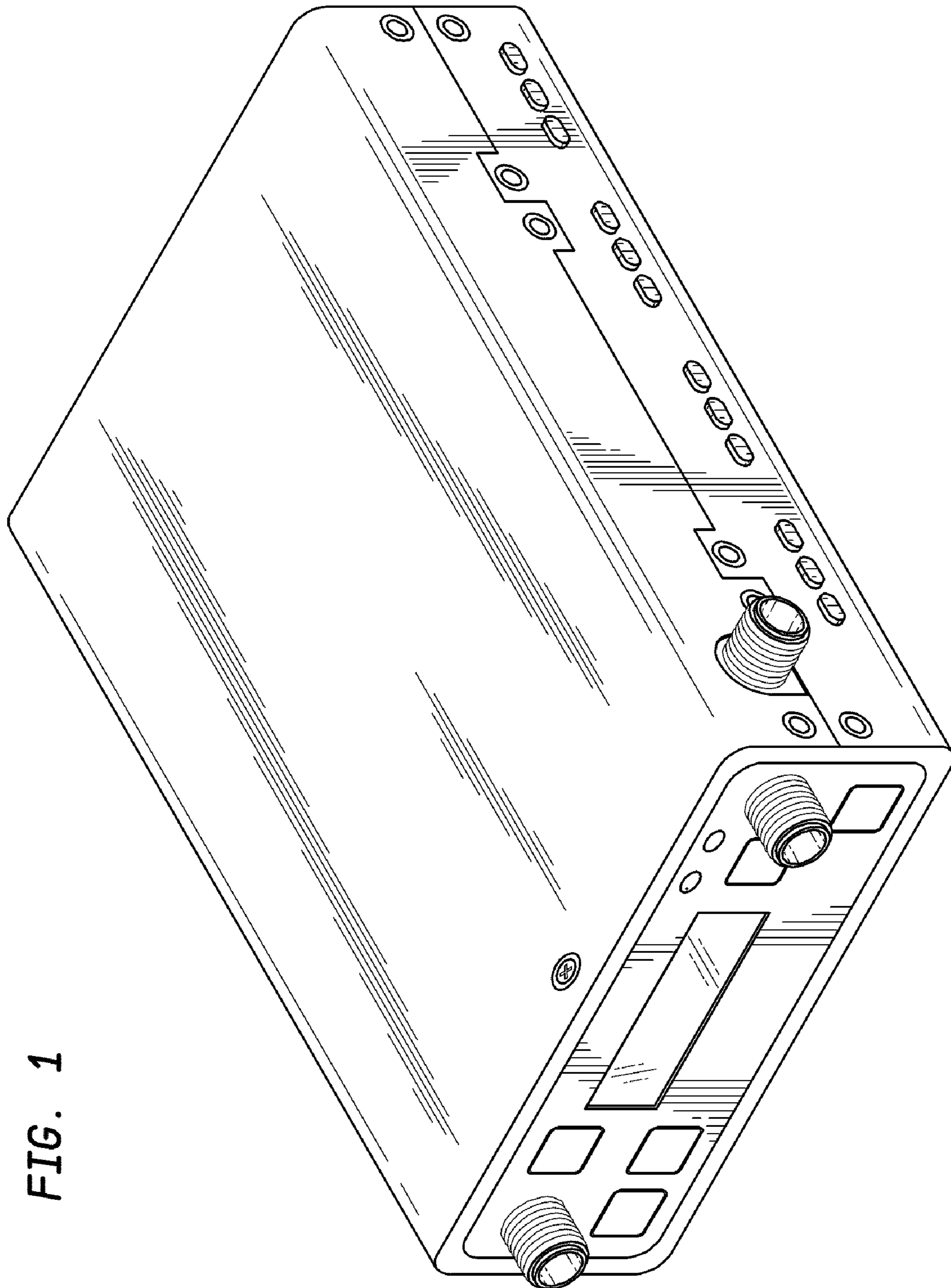


FIG. 1

FIG. 2

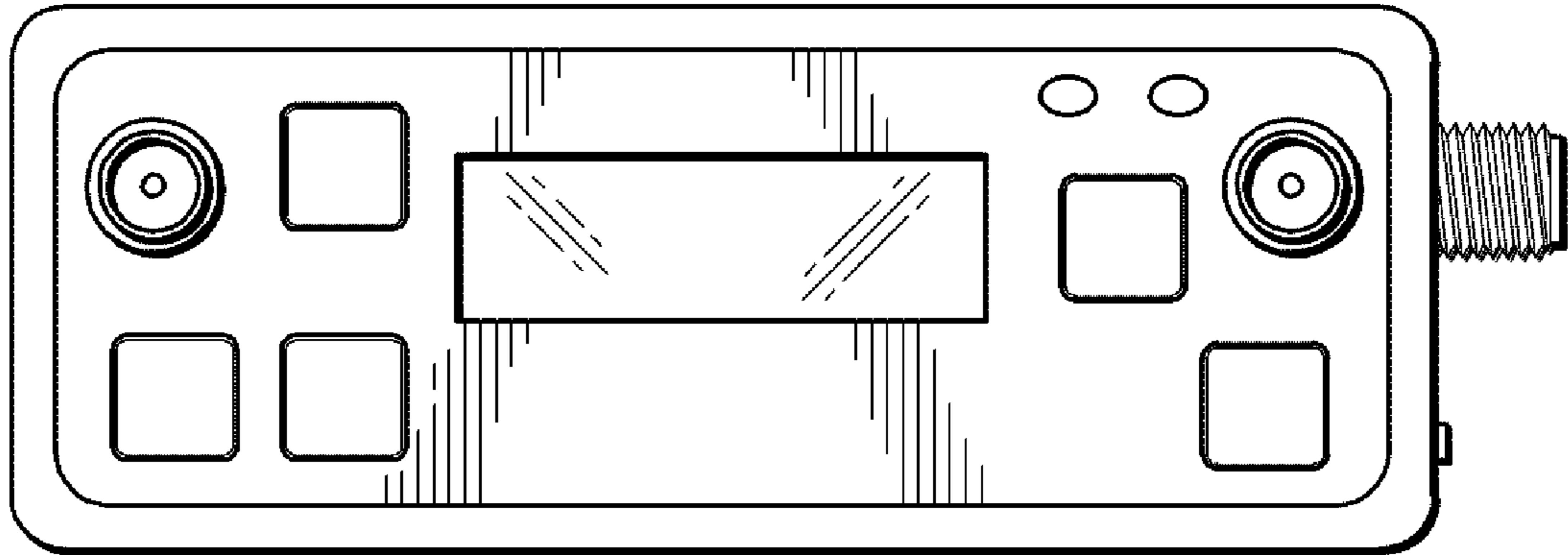


FIG. 3

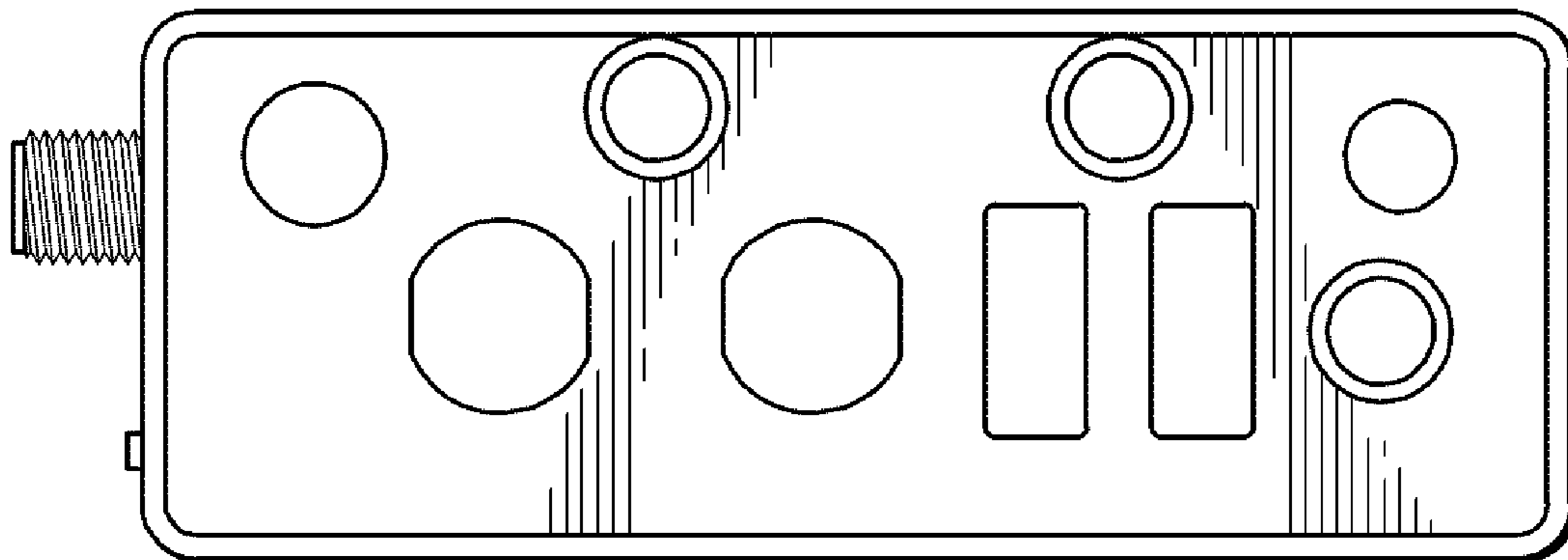


FIG. 4

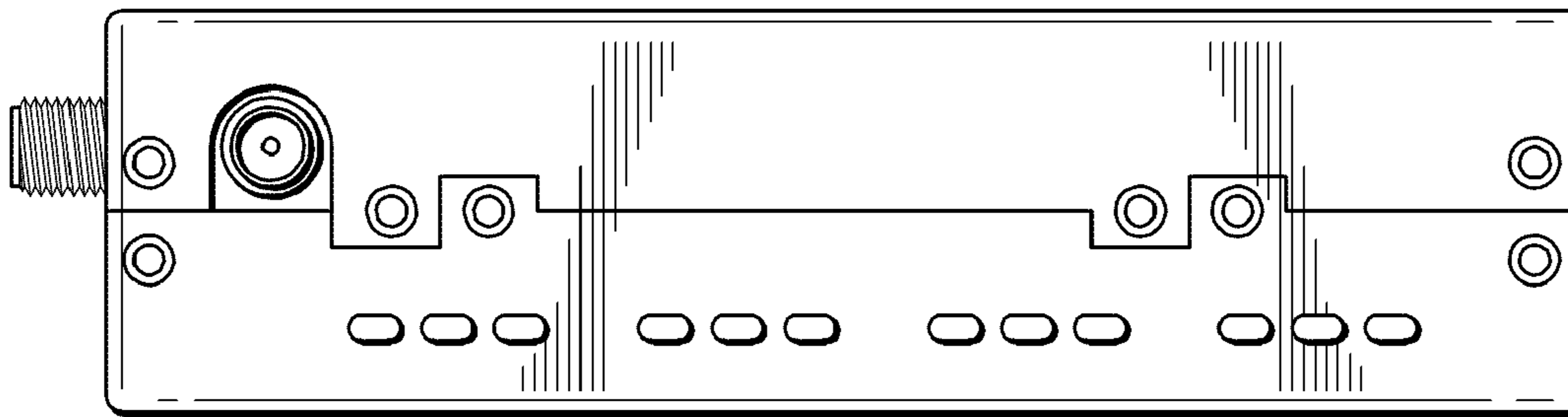


FIG. 5

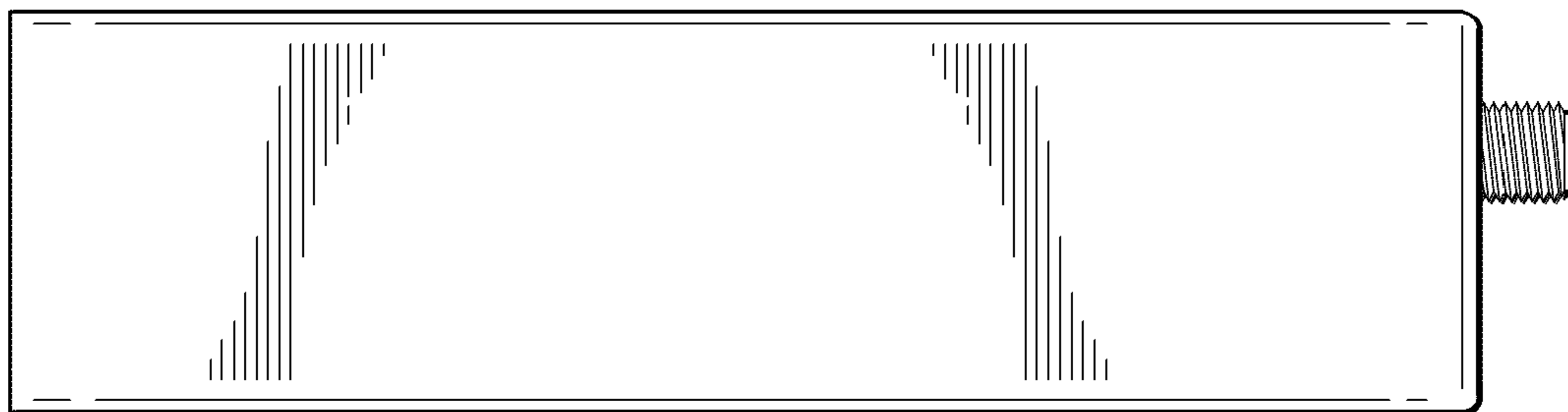


FIG. 6

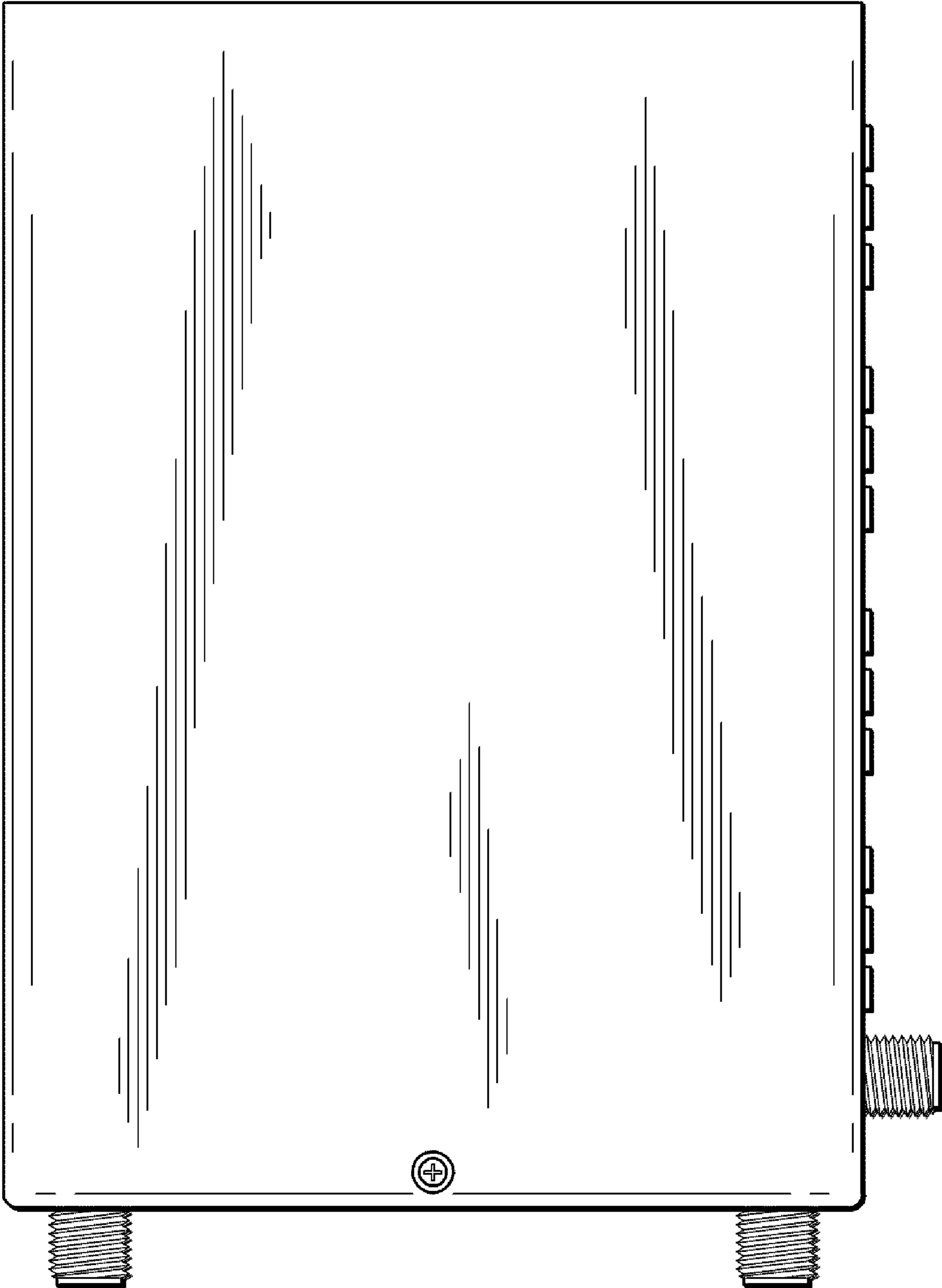


FIG. 7

