



US00D608336S

(12) **United States Design Patent**
Quiros et al.

(10) **Patent No.:** **US D608,336 S**
(45) **Date of Patent:** **** Jan. 19, 2010**

(54) **TELEPHONE**

(75) Inventors: **Jose Quiros**, Colorado Springs, CO (US); **Hans Henrik Petersen**, Cambridge (GB); **Andrew Robert James Russell**, Bourn (GB); **Jamie Kevin Widdows**, Cottenham (GB)

(73) Assignee: **TeleMatrix, Inc.**, Colorado Springs, CO (US)

(**) Term: **14 Years**

(21) Appl. No.: **29/326,001**

(22) Filed: **Oct. 9, 2008**

(51) **LOC (9) Cl.** **14-03**

(52) **U.S. Cl.** **D14/149**

(58) **Field of Classification Search** D14/125-130, D14/140-142, 144, 146-151, 158-159, 171, D14/188, 225-226, 240, 243, 250-253, 329-330, D14/357, 434, 471, 496, 341, 375; 379/88.17, 379/90.01, 93.17, 387.01, 388.02, 419-420.04, 379/420.02, 428.01-428.04, 434-436, 440, 379/446-447, 454-455; 381/16, 71.1; D13/107-108; 191/12.2 R; 320/108, 110, 113-115; 455/411, 455/550.1-90.3; 348/14.01-14.06; D6/308; D10/65

See application file for complete search history.

(56) **References Cited**

U.S. PATENT DOCUMENTS

D247,813 S 5/1978 Genaro et al.
D249,882 S * 10/1978 Genaro et al. D14/149
D266,762 S 11/1982 Gibson
D267,178 S 12/1982 Mona
D268,265 S 3/1983 Gibson
D276,430 S * 11/1984 Isaacs D14/149
D277,379 S 1/1985 Cooke et al.

D277,574 S 2/1985 Lee
D278,053 S 3/1985 Menn et al.
D285,441 S 9/1986 Isaacs
D286,285 S * 10/1986 Danielson et al. D14/149

(Continued)

OTHER PUBLICATIONS

Enzer ET-8329TS, <URL:http://www.101phones.com/details/0-4004/ET-8329TS.html>, retrieved from internet Aug. 27, 2009.*

(Continued)

Primary Examiner—Ian Simmons
Assistant Examiner—Carla Jobe Wright
(74) *Attorney, Agent, or Firm*—Fish & Richardson P.C.

(57) **CLAIM**

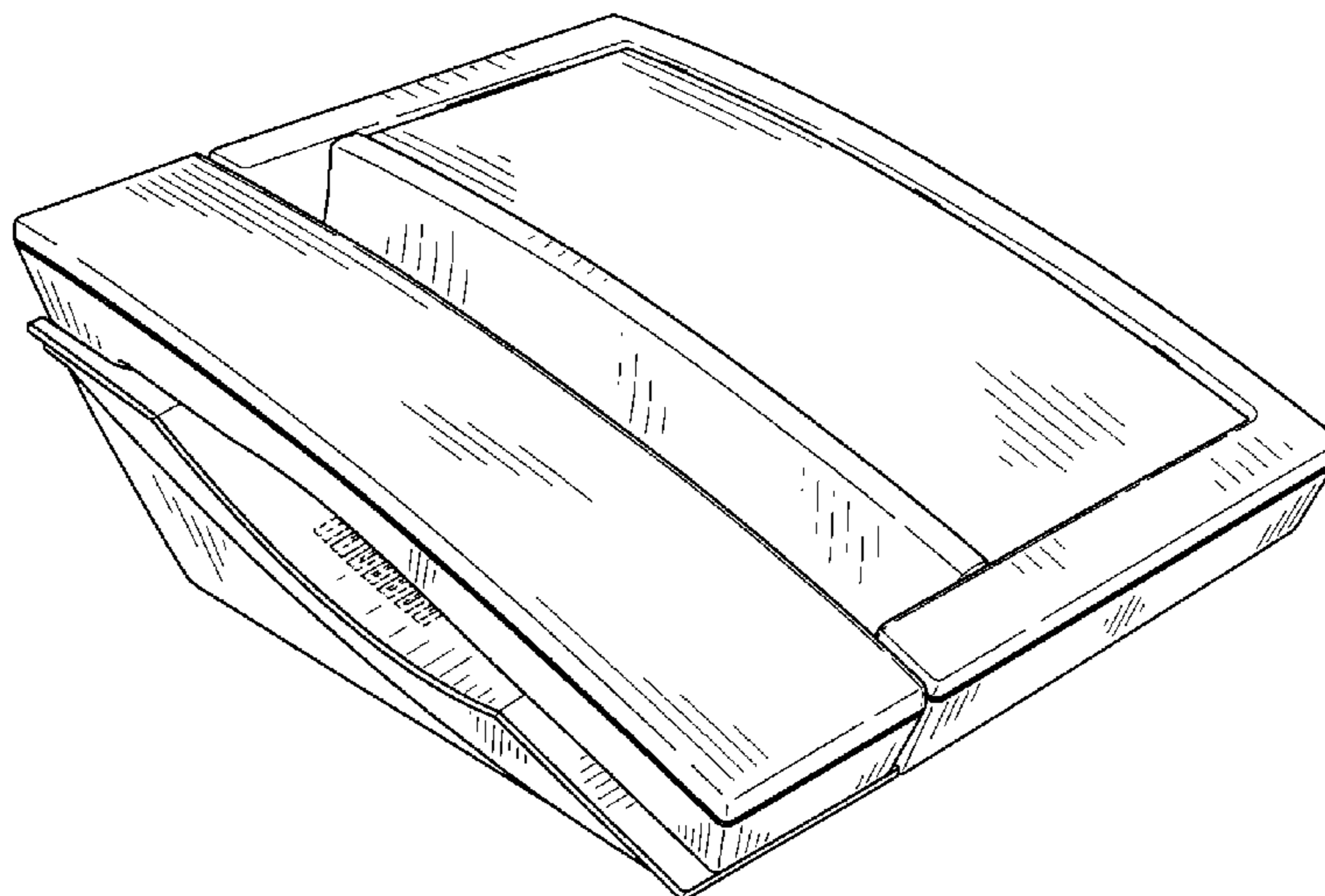
The ornamental design for a telephone, substantially as shown and described.

DESCRIPTION

FIG. 1 is a perspective view of a telephone.
FIG. 2 is a front view of the telephone of FIG. 1.
FIG. 3 is a rear view of the telephone of FIG. 1.
FIG. 4 is a left side view of the telephone of FIG. 1.
FIG. 5 is a right side view of the telephone of FIG. 1.
FIG. 6 is a top view of the telephone of FIG. 1; and,
FIG. 7 is a bottom view of the telephone of FIG. 1.

The broken lines in the drawing figures that show the outermost periphery of non-claimed features represent boundaries of the claimed design. All other broken lines are directed to environment and are for illustrative purposes only. The broken lines, and the unshaded regions that are defined by broken lines, form no part of the claimed design.

1 Claim, 5 Drawing Sheets



US D608,336 S

Page 2

U.S. PATENT DOCUMENTS

D287,494 S	*	12/1986	Danielson et al.	D14/149	D339,342 S	*	9/1993	Chan	D14/149
D295,623 S	*	5/1988	Gilberton	D14/151	D345,974 S		4/1994	Biskup et al.	
D297,325 S		8/1988	Engstrom et al.		D353,581 S		12/1994	Nakajima	
D298,318 S		11/1988	Doi		D359,283 S	*	6/1995	Rudkiewicz	D14/149
D302,274 S		7/1989	Fujita et al.		D371,345 S		7/1996	Martino et al.	
D303,114 S	*	8/1989	Danielson et al.	D14/142	D371,346 S		7/1996	Martino et al.	
D303,115 S	*	8/1989	Hart et al.	D14/142	D372,717 S		8/1996	Jarrett et al.	
D303,665 S		9/1989	Ohta et al.		5,578,875 A	*	11/1996	Dormer et al.	307/66
D304,338 S		10/1989	Sermon		D379,993 S	*	6/1997	Devitt et al.	D14/240
D304,726 S		11/1989	Brooks et al.		D390,226 S		2/1998	Mak et al.	
D306,295 S		2/1990	Nagele		D393,858 S		4/1998	Backs et al.	
D306,587 S		3/1990	Ando		D394,245 S		5/1998	Brodbeck	
D306,726 S		3/1990	Takatsuka et al.		D408,817 S		4/1999	Ishibashi	
D307,426 S		4/1990	Ohta et al.		D413,332 S		8/1999	Delhaes	
D307,430 S		4/1990	Desbarats		D420,009 S		2/2000	Dunn et al.	
D308,059 S		5/1990	Desbarats		D427,174 S	*	6/2000	Jauregui et al.	D14/151
D312,458 S		11/1990	Suzuki		D457,870 S		5/2002	Toyoshima et al.	
D316,857 S		5/1991	Park		D500,482 S		1/2005	Shibata et al.	
D318,051 S		7/1991	Danielson et al.		D558,727 S		1/2008	Daly et al.	
D318,660 S		7/1991	Weber		D565,020 S		3/2008	Daly et al.	
D325,585 S		4/1992	Gordon						
D326,850 S		6/1992	Joffe et al.						
D331,063 S		11/1992	Pasierb						
D332,450 S	*	1/1993	Kolinen	D14/151					
D332,610 S		1/1993	Alim et al.						

OTHER PUBLICATIONS

3300LBY Ash, 1 Line, added to catalog on Mar. 16, 2009,
<URL:<http://www.telematrixtelephones.com/products.php>>,
retrieved from internet Aug. 27, 2009.*

* cited by examiner

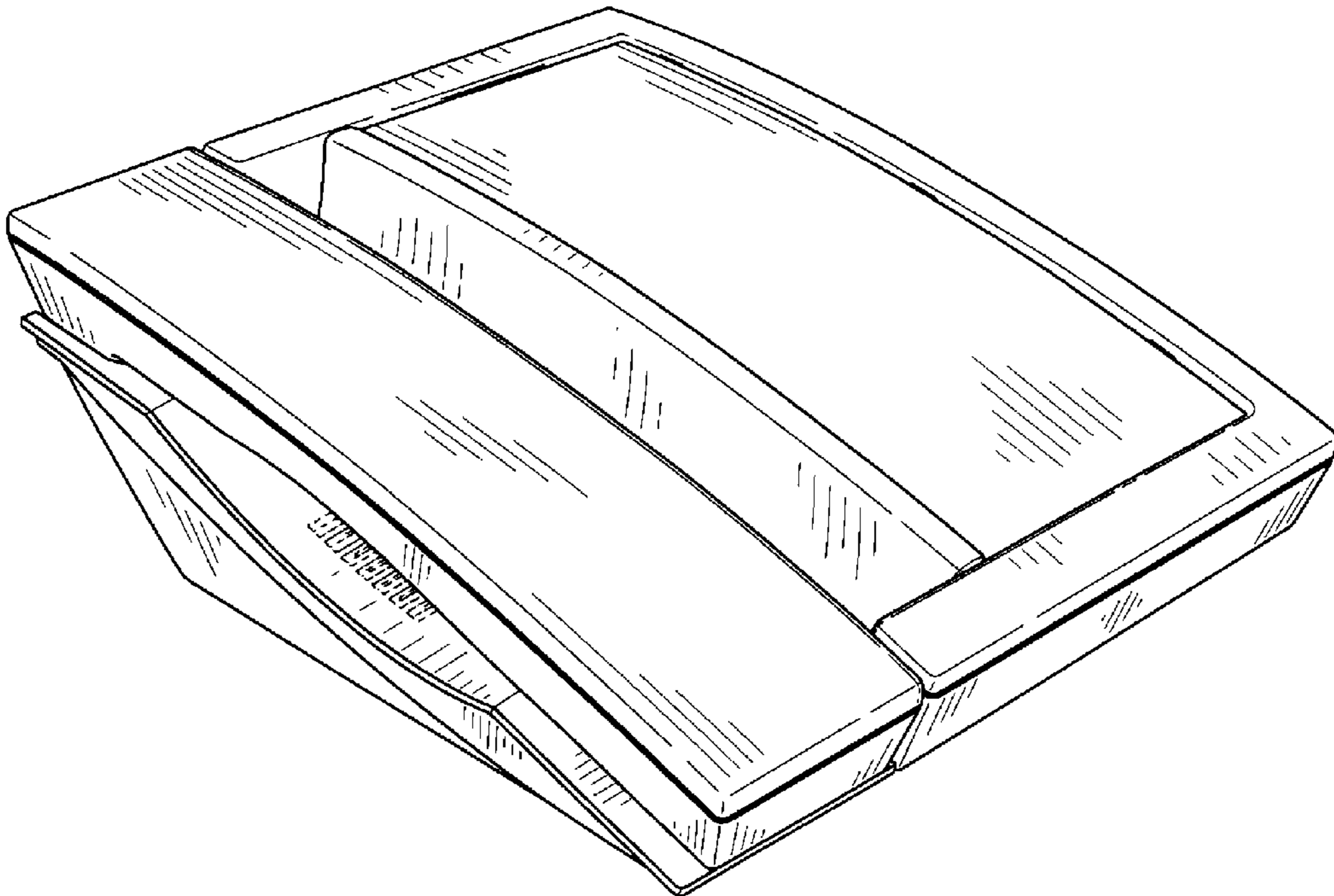


FIG. 1

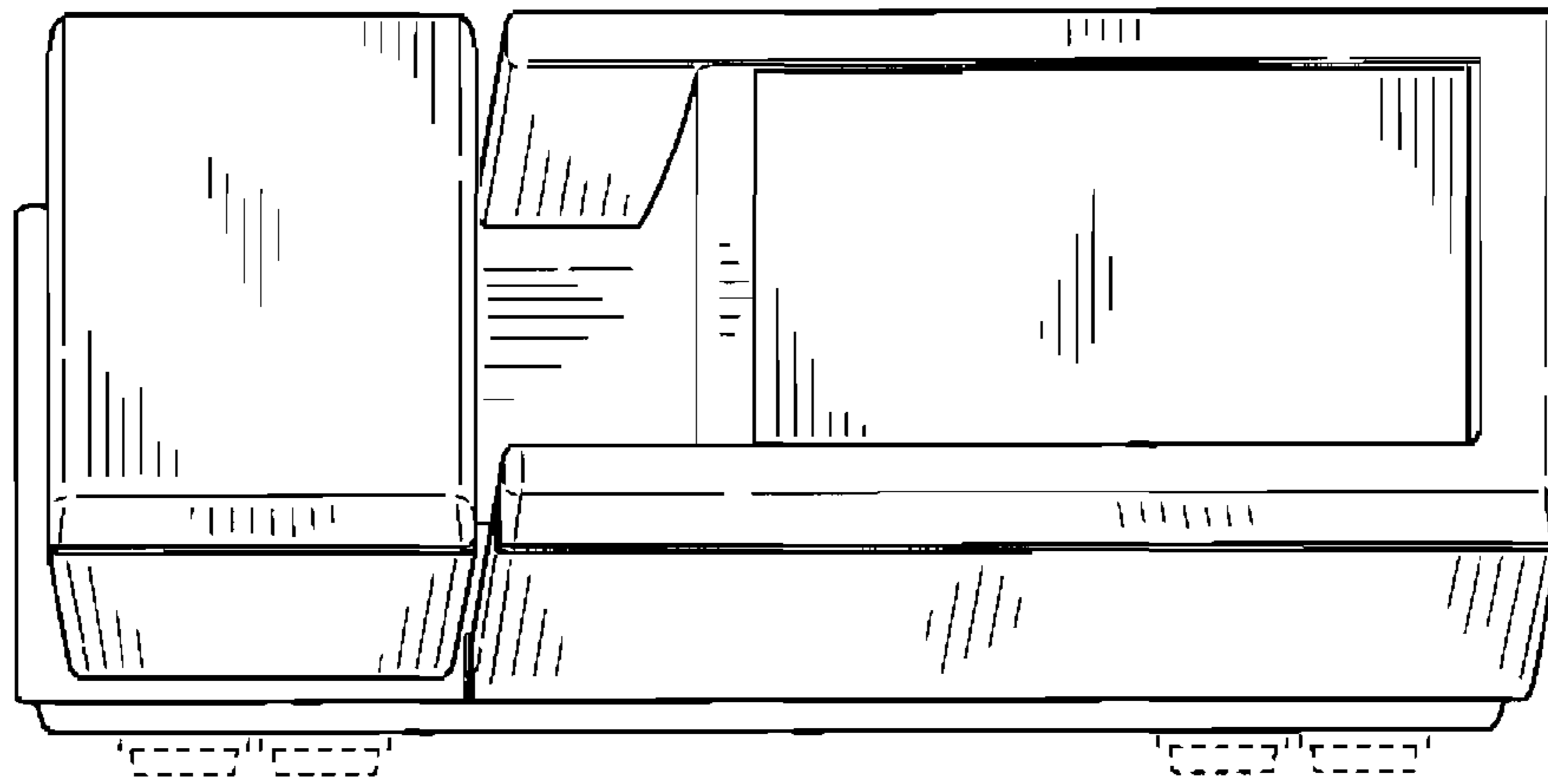


FIG. 2

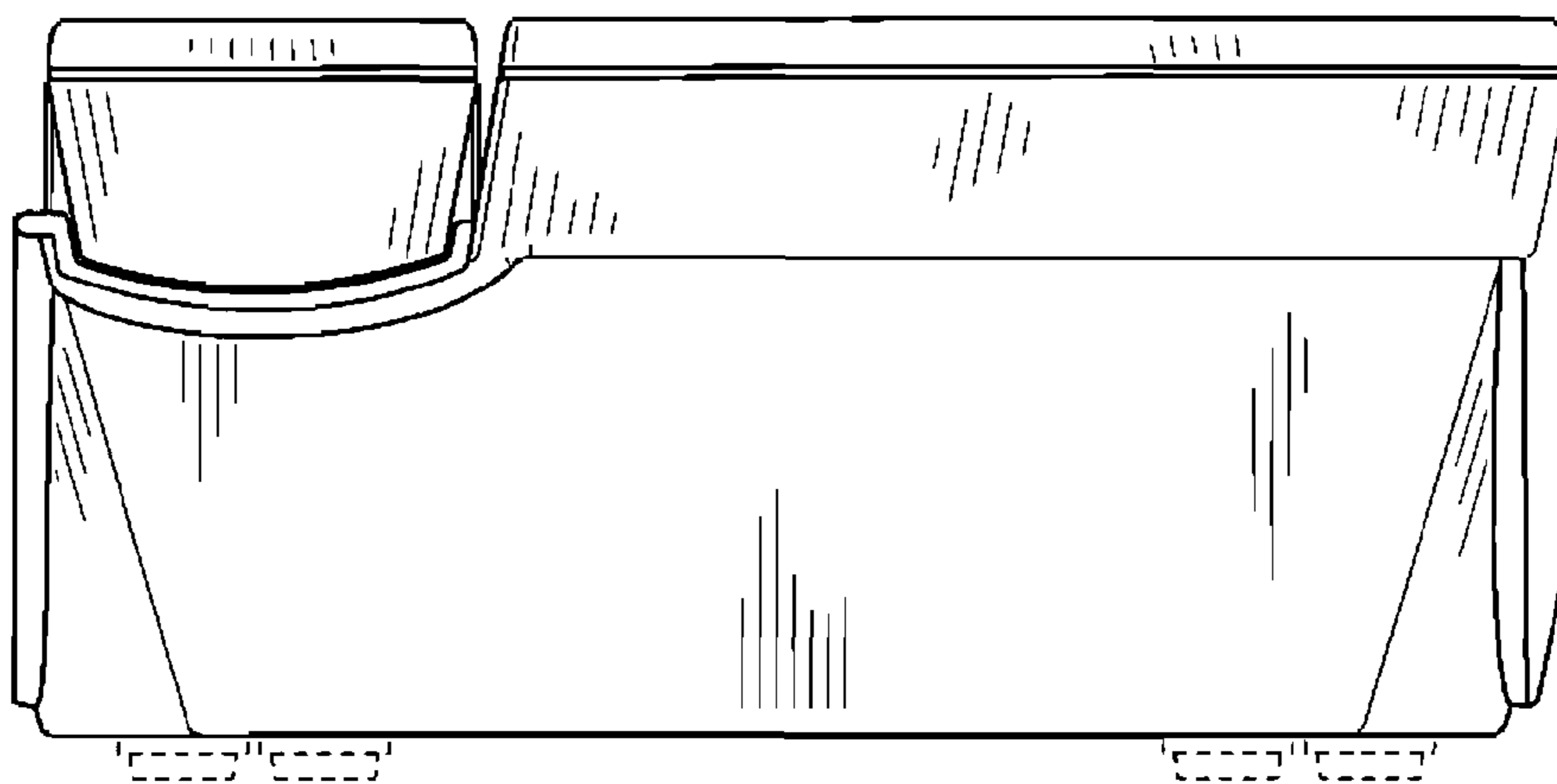


FIG. 3

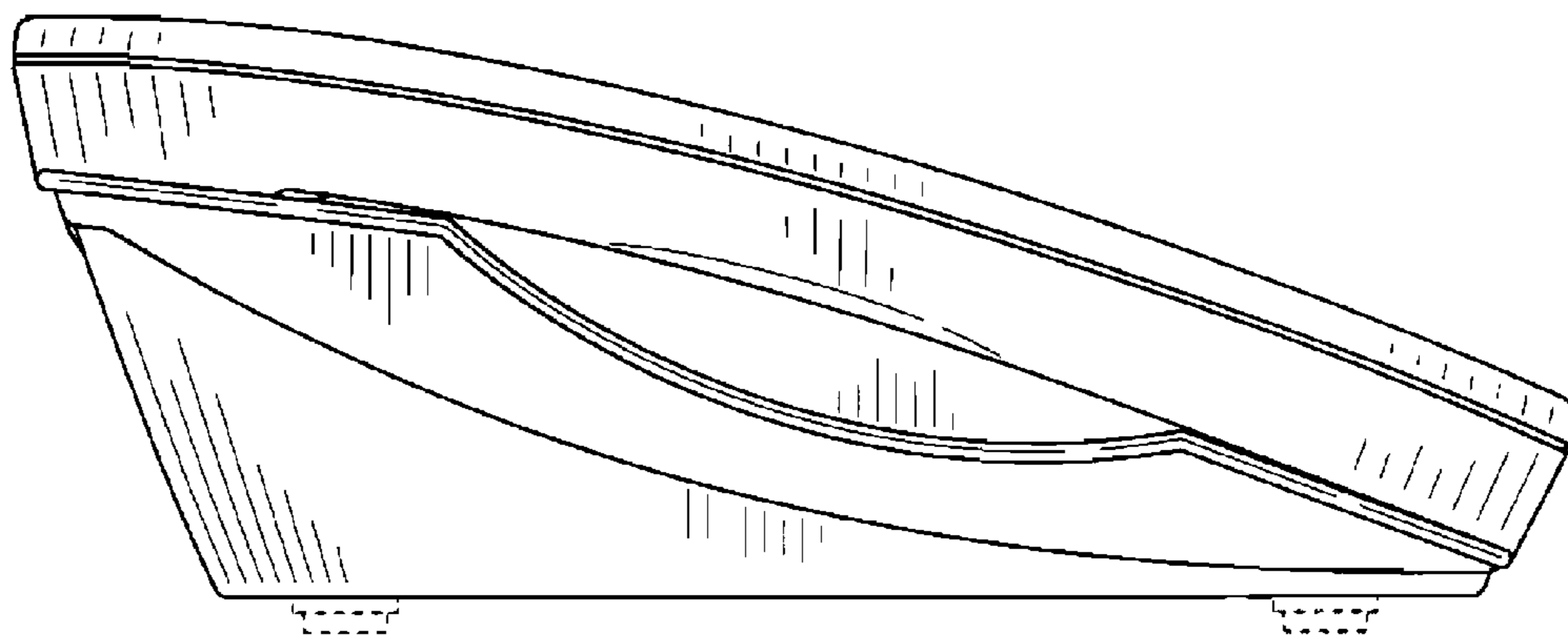


FIG. 4

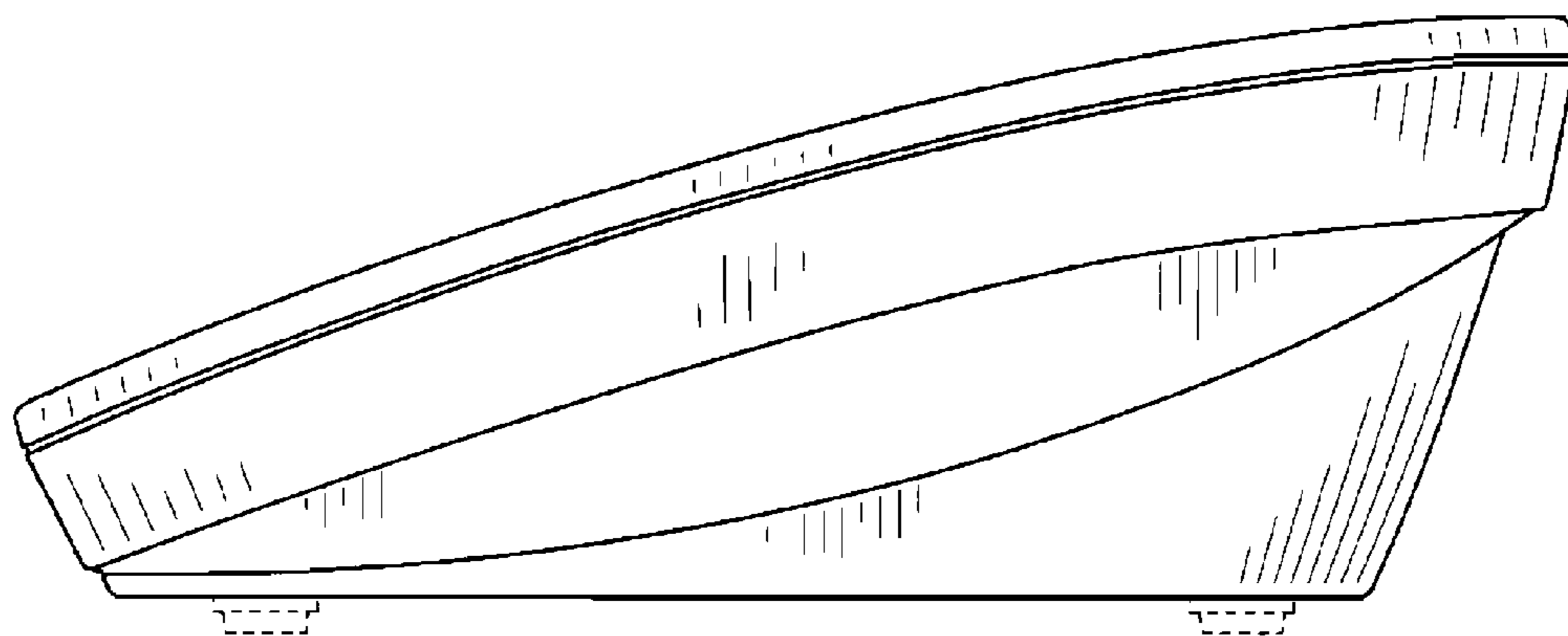


FIG. 5

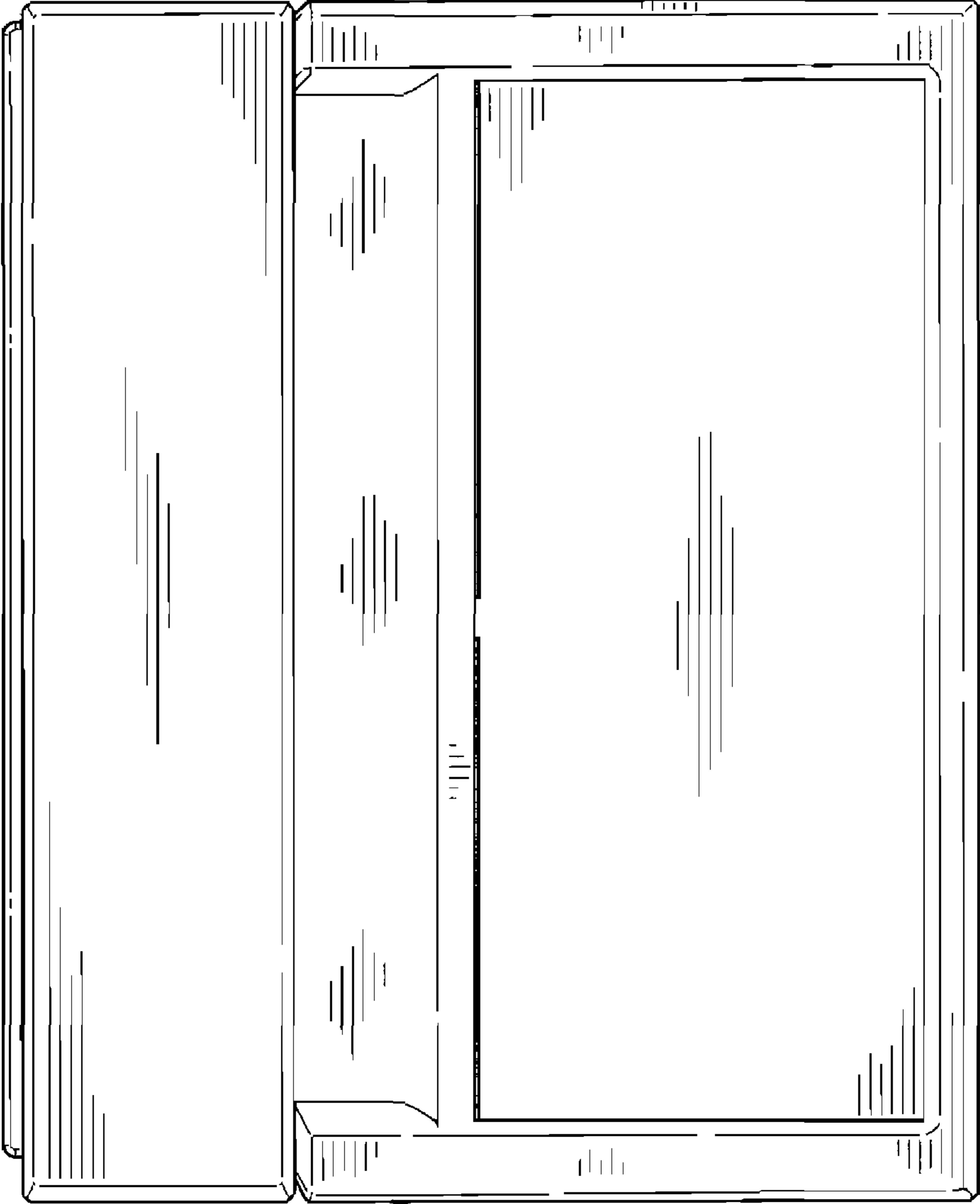


FIG. 6

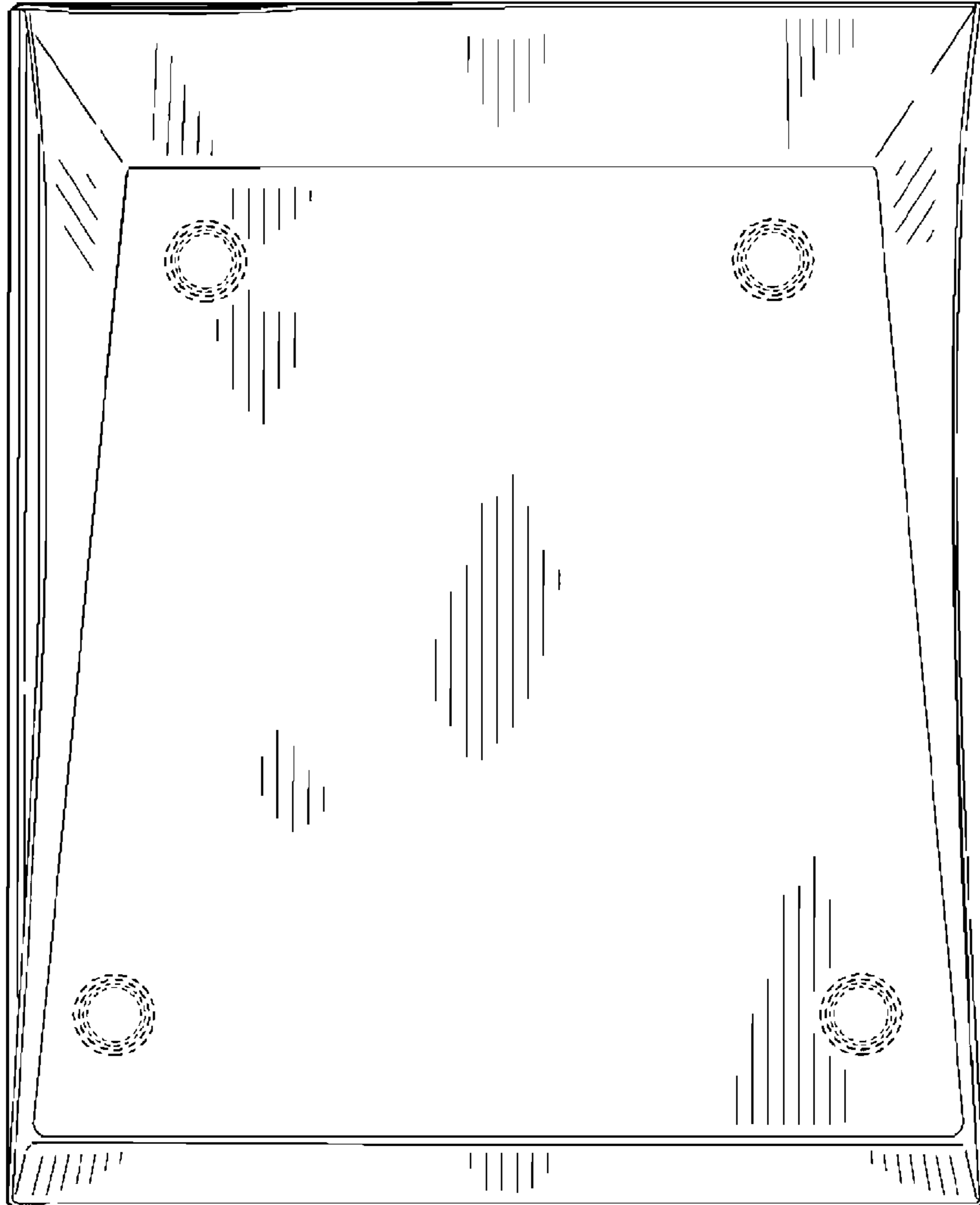


FIG. 7