

US00D608330S

(12) **United States Design Patent**
Jeung et al.

(10) **Patent No.:** **US D608,330 S**
(45) **Date of Patent:** **** Jan. 19, 2010**

(54) **MOBILE PHONE**

(75) Inventors: **Jong-Yun Jeung**, Boocheon-Si (KR);
Nam-Mi Kim, Seoul (KR);
Chang-Hwan Hwang, Goyang-Si (KR)

(73) Assignee: **Samsung Electronics Co., Ltd.**, Suwon (KR)

(**) Term: **14 Years**

(21) Appl. No.: **29/333,200**

(22) Filed: **Mar. 4, 2009**

(30) **Foreign Application Priority Data**

Dec. 4, 2008 (KR) 30-2008-0052256

(51) **LOC (9) Cl.** **14-03**

(52) **U.S. Cl.** **D14/138 AD**

(58) **Field of Classification Search** D14/138 R,
D14/138 AD, 138 AC, 138 C, 138 G, 191,
D14/203.1–203.8, 496, 138 AA, 138 AB,
D14/247–248, 137, 147, 218, 341–347; D10/65,
D10/78, 104; D13/168; D18/7; 455/566,
455/575.1, 575.3

See application file for complete search history.

(56) **References Cited**

U.S. PATENT DOCUMENTS

D495,695 S * 9/2004 Yugaya D14/346
D503,699 S * 4/2005 Lee et al. D14/138 AD
D508,240 S * 8/2005 Lee et al. D14/138 AD
D509,202 S * 9/2005 Lee et al. D14/138 AD
D515,060 S * 2/2006 Lee et al. D14/138 AD
D525,608 S * 7/2006 Ryu D14/138 AD
D526,297 S * 8/2006 Lee et al. D14/138 AD

D543,176 S * 5/2007 Hyun et al. D14/138 G
D545,289 S * 6/2007 Wang D14/138 AD
D545,292 S * 6/2007 Lee et al. D14/138 AD
D548,213 S * 8/2007 Lee et al. D14/138 AC
D549,202 S * 8/2007 Kim et al. D14/138 AB
D555,622 S * 11/2007 Chung et al. D14/138 AD
D557,672 S * 12/2007 Bae D14/138 AD

(Continued)

OTHER PUBLICATIONS

HPiPAQ rw6818, announced 2nd quarter 2006, [online], [retrieved on Feb. 20, 2007]. Retrieved from Internet ,<URL: http://www.gsmarena.com>.*

(Continued)

Primary Examiner—Jeffrey D Asch

Assistant Examiner—Bridget L Eland

(74) *Attorney, Agent, or Firm*—Staas & Halsey LLP

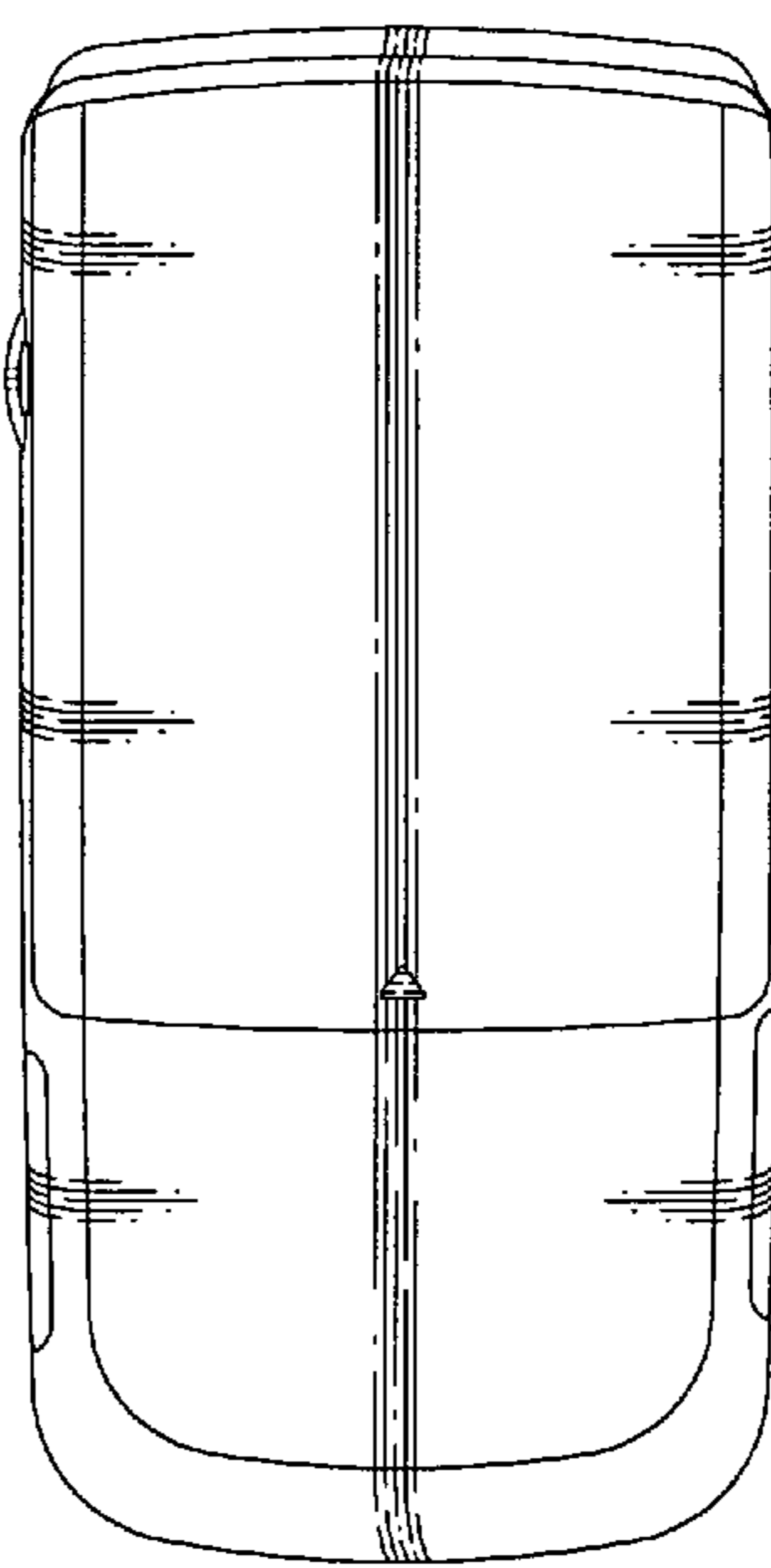
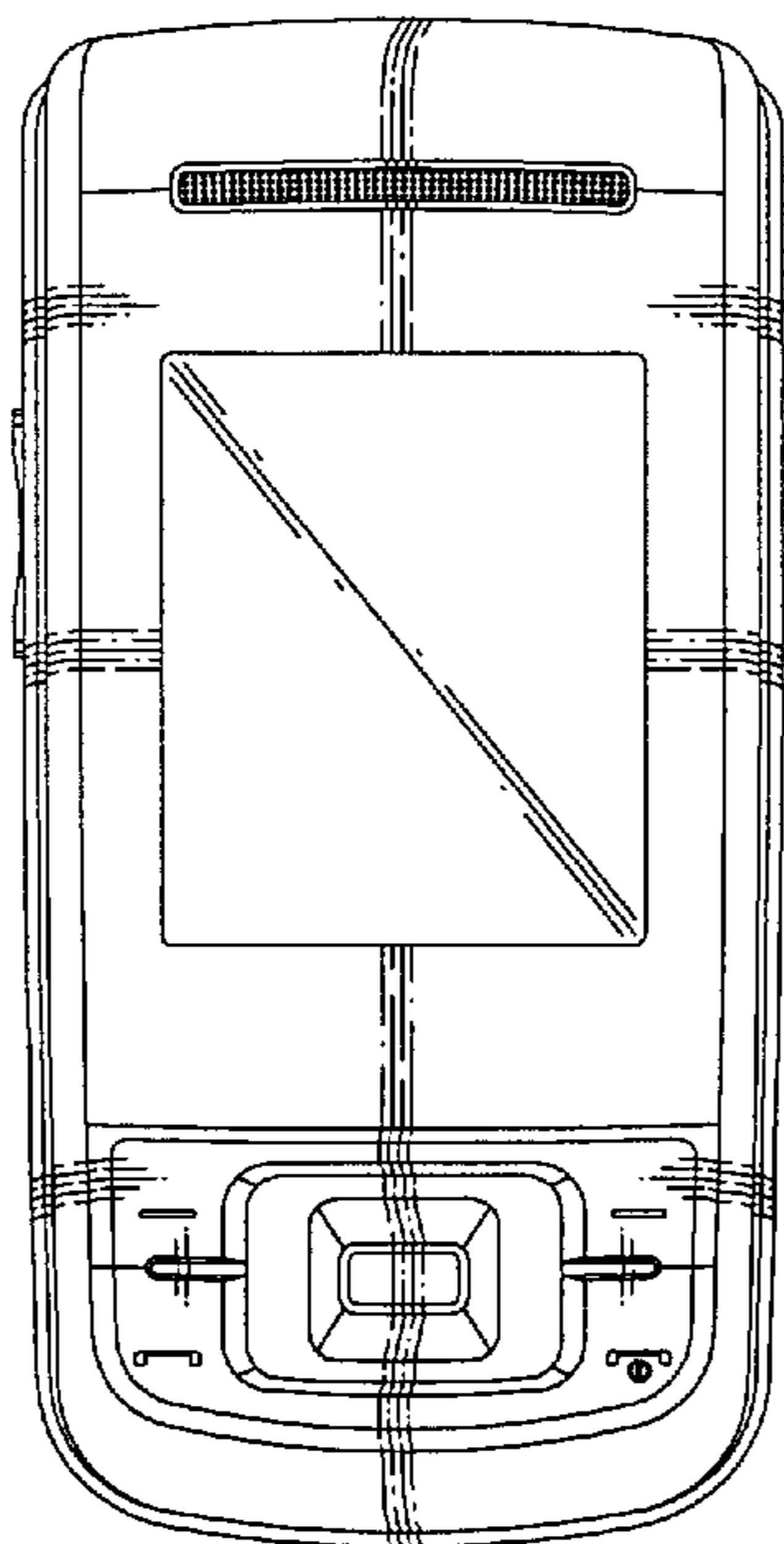
(57) **CLAIM**

The ornamental design for mobile phone, as shown and described.

DESCRIPTION

FIG. 1 is a front perspective view of a mobile phone;
FIG. 2 is a front view of the mobile phone of FIG. 1;
FIG. 3 is a rear view of the mobile phone of FIG. 1;
FIG. 4 is a left-side view of the mobile phone of FIG. 1;
FIG. 5 is a right-side view of the mobile phone of FIG. 1;
FIG. 6 is a top plan view of the mobile phone of FIG. 1;
FIG. 7 is a bottom plan view of the mobile phone of FIG. 1;
FIG. 8 is a front open view of the mobile phone of FIG. 1; and,
FIG. 9 is a rear open view of the mobile phone of FIG. 8.

1 Claim, 7 Drawing Sheets



US D608,330 S

Page 2

U.S. PATENT DOCUMENTS

D558,715 S * 1/2008 Lee D14/138 AD
D561,512 S * 2/2008 Park et al. D14/138 AD
D576,595 S * 9/2008 Han et al. D14/138 AD
D576,986 S * 9/2008 Kim et al. D14/138 AD
D579,899 S * 11/2008 Park et al. D14/138 AD
D579,900 S * 11/2008 Jeoung et al. D14/138 AD
D580,395 S * 11/2008 Oh et al. D14/138 AD
D594,832 S * 6/2009 Millora D14/138 AD
D594,841 S * 6/2009 Lee et al. D14/138 AD
2005/0124381 A1* 6/2005 Kim et al. 455/556.1

2005/0255897 A1* 11/2005 Lee et al. 455/575.4
2007/0021160 A1* 1/2007 Li 455/575.4

OTHER PUBLICATIONS

Huawei U7310, announced 2nd quarter 2008, [online], [retrieved on Feb. 20, 2009]. Retrieved from Internet ,<URL: <http://www.gsmarena.com>>.*
InnoStream INNO P10, announced Jun. 2005, [online], [retrieved on Feb. 20, 2007]. Retrieved from Internet ,<URL: <http://www.gsmarena.com>>.*

* cited by examiner

FIG. 1

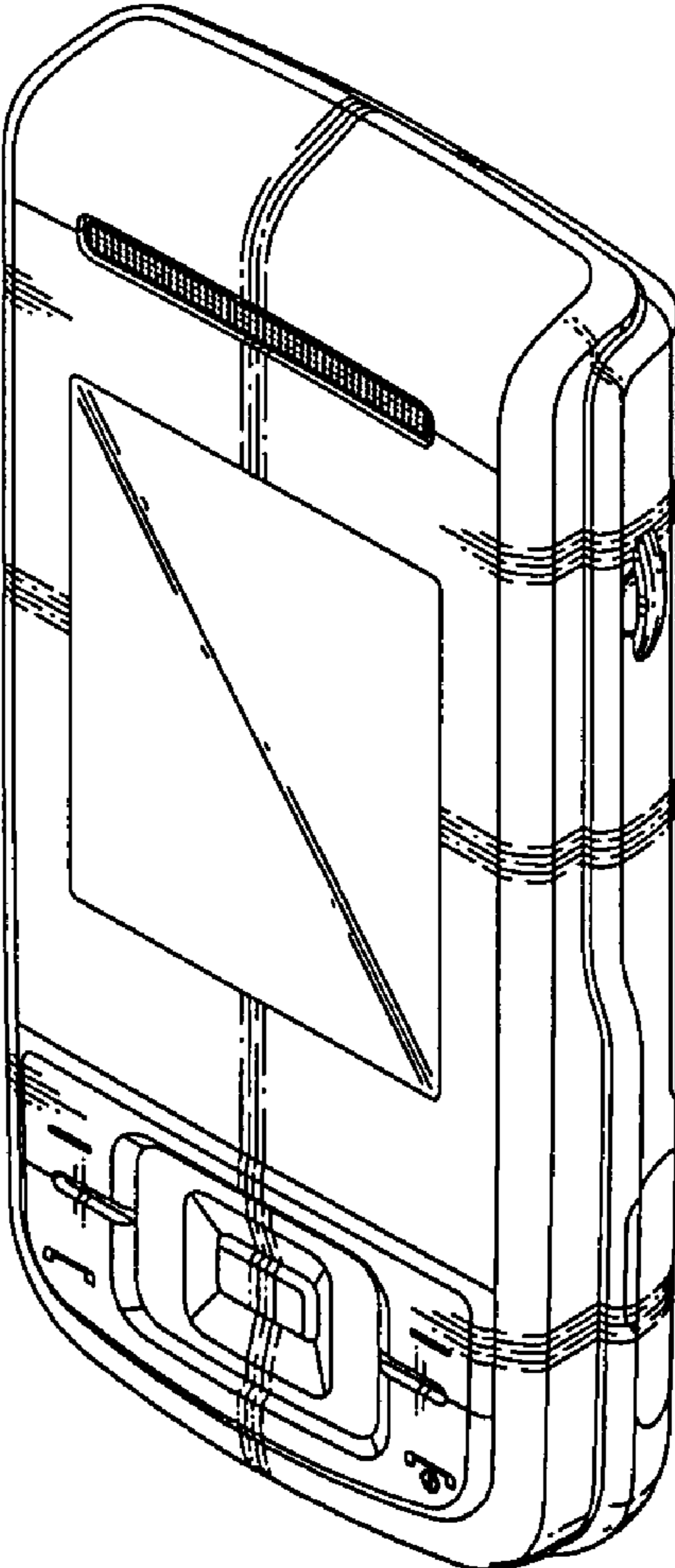


FIG. 2

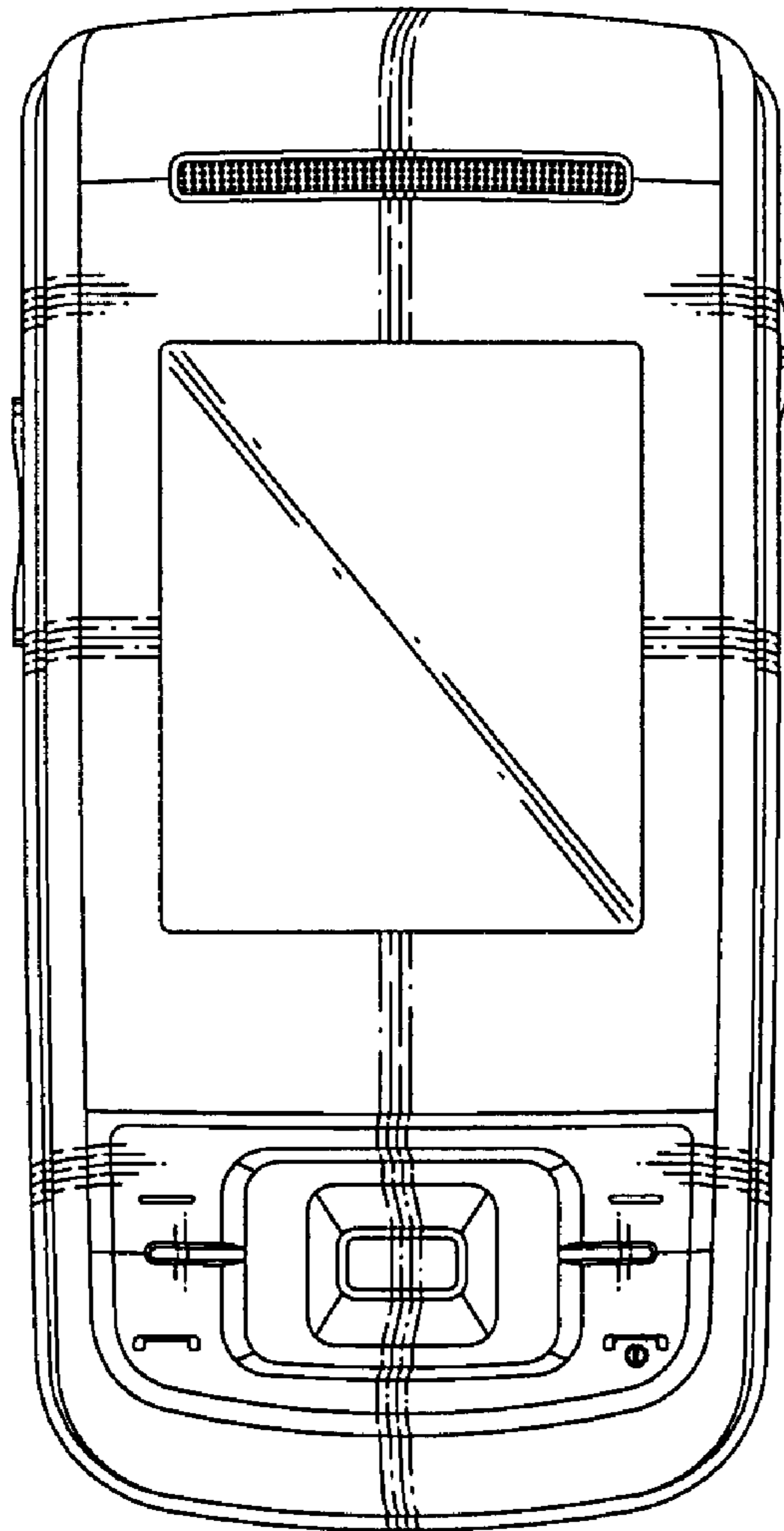


FIG. 3

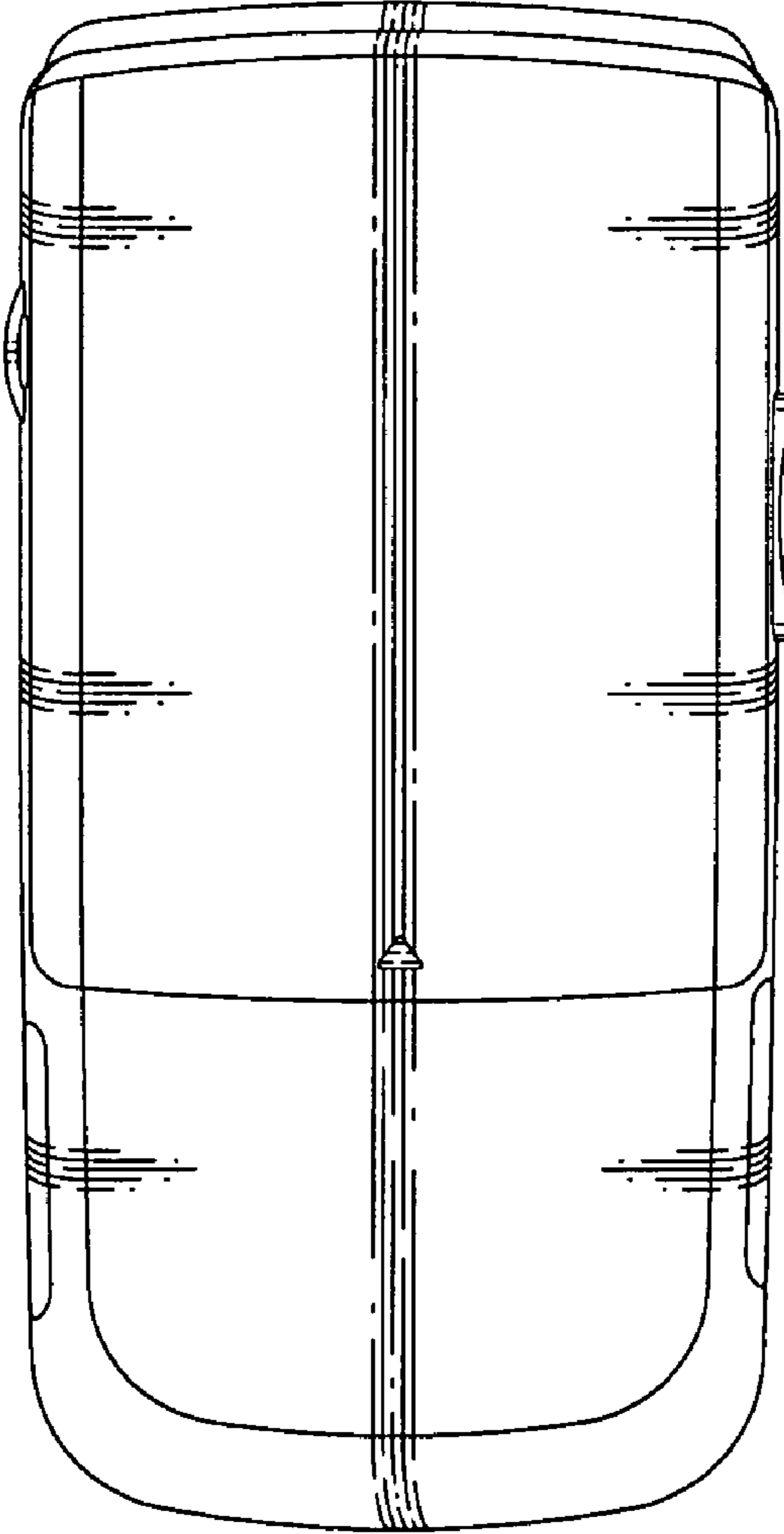


FIG. 4

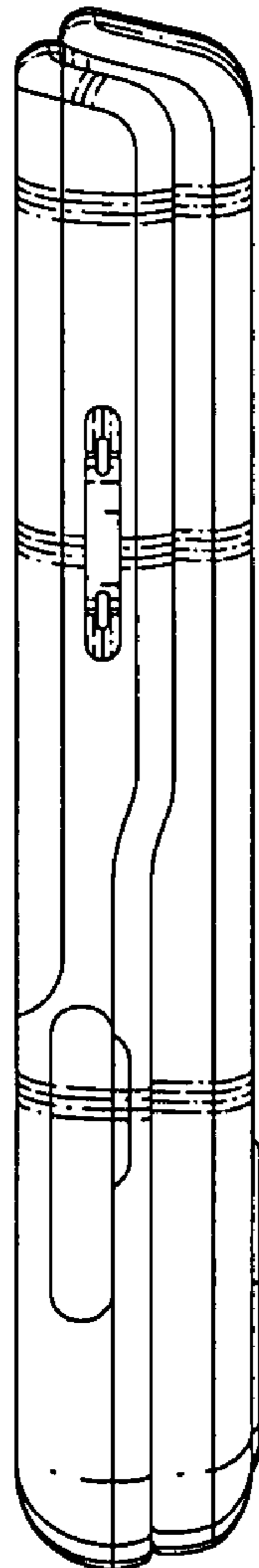


FIG. 5

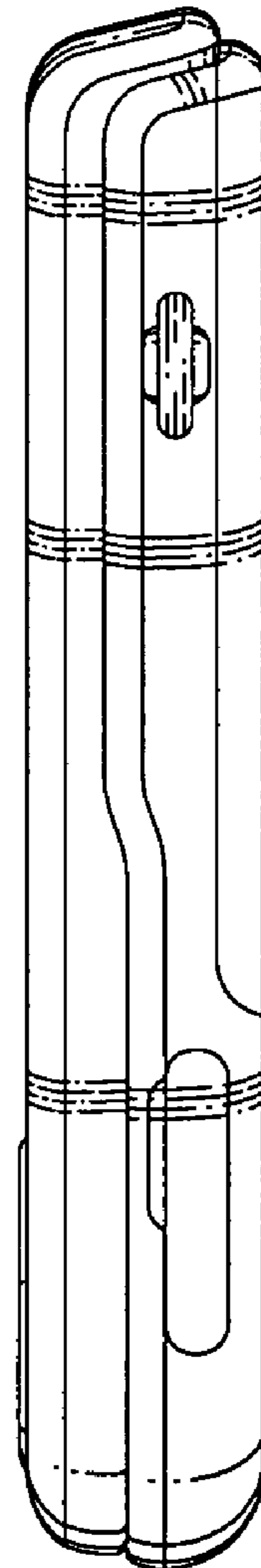


FIG. 6

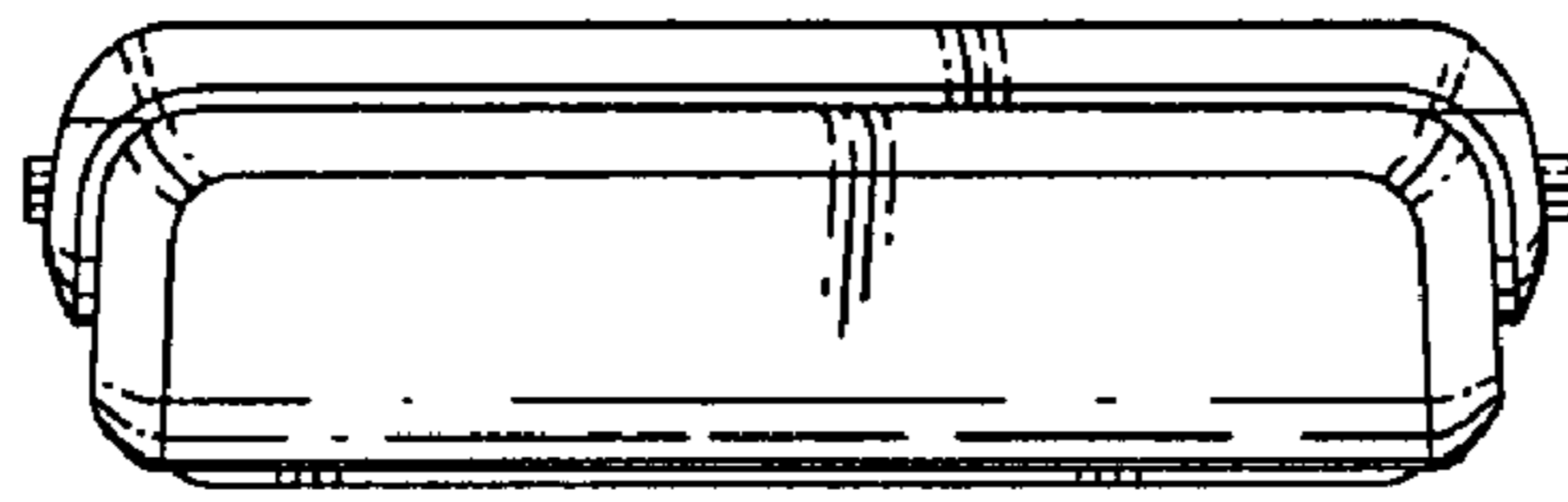


FIG. 7

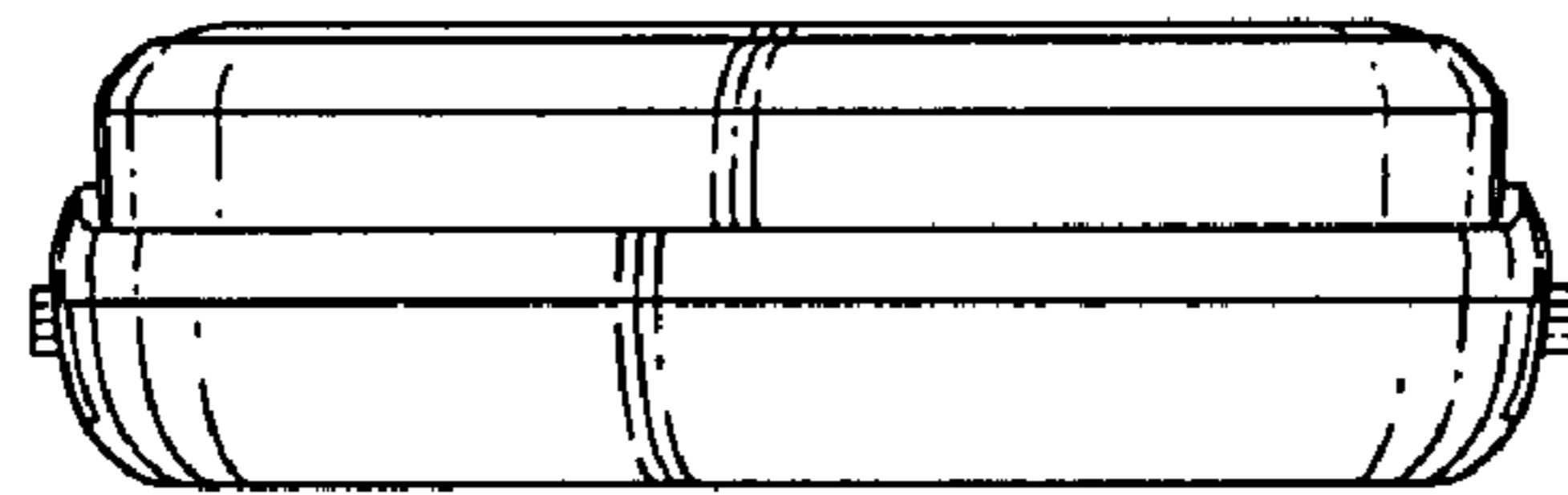


FIG. 8

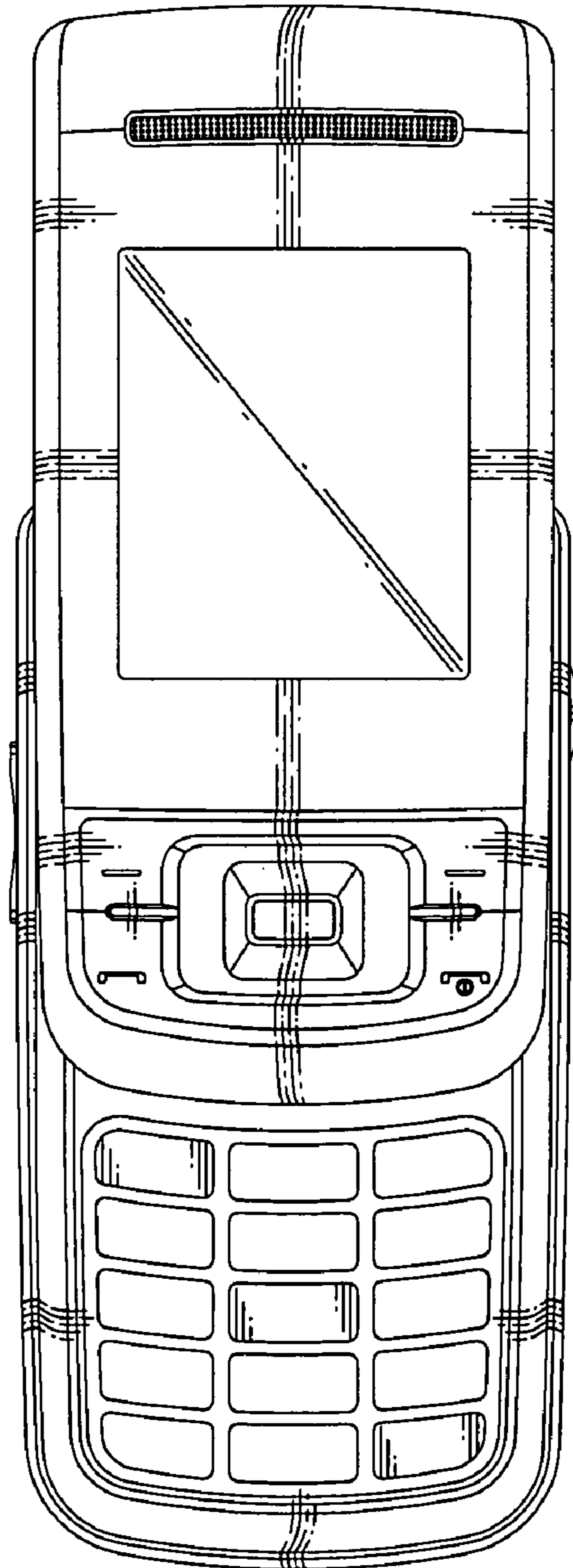


FIG. 9

