



US00D608324S

(12) **United States Design Patent**
He

(10) **Patent No.:** **US D608,324 S**
(45) **Date of Patent:** **** Jan. 19, 2010**

(54) **HANDSET**

(75) Inventor: **Wei-Jones He**, Beijing (CN)

(73) Assignee: **Nokia Corporation**, Espoo (FI)

(**) Term: **14 Years**

(21) Appl. No.: **29/319,284**

(22) Filed: **Jun. 6, 2008**

(51) **LOC (9) Cl.** **14-03**

(52) **U.S. Cl.** **D14/138 AA**

(58) **Field of Classification Search** D14/137,
D14/138 R, 138 AA, 138 AB, 138 AD, 138 C,
D14/138 G, 143-144, 147-148, 156, 218,
D14/247-248, 341-347, 390, 399, 455-456,
D14/496; D16/208; D21/329, 331, 333,
D21/517; 348/14.01-14.02; 361/814; 379/433.01-433.13;
455/90.3, 556.1-556.2, 566, 575.1, 575.3,
455/575.4; D13/164, 168; 439/165; 343/702;
345/167, 168, 169

See application file for complete search history.

(56) **References Cited**

U.S. PATENT DOCUMENTS

D496,921 S	*	10/2004	Hwang	D14/138 AA
D545,800 S	*	7/2007	Ou et al.	D14/138 AA
D546,316 S	*	7/2007	Wu et al.	D14/138 AA
D549,208 S	*	8/2007	Huang et al.	D14/138 AA
D563,379 S	*	3/2008	Mai et al.	D14/138 AA
D572,700 S	*	7/2008	Kwon et al.	D14/138 AA
D588,087 S	*	3/2009	Stone	D14/138 AA
D589,919 S	*	4/2009	Bower	D14/138 AA
D589,925 S	*	4/2009	Shi	D14/138 AA
D589,948 S	*	4/2009	Shi	D14/248
D591,251 S	*	4/2009	Laine et al.	D14/138 AA
D598,419 S	*	8/2009	Shi	D14/138 AA

2007/0296702 A1* 12/2007 Strawn et al. 345/169

FOREIGN PATENT DOCUMENTS

WO DM/071117 * 11/2008

OTHER PUBLICATIONS

Nokia 5130 XpressMusic, announced Nov. 2008, <URL:http://www.gsmarena.com/nokia-5130-xpressmusic-pictures-2569.php>, retrieved from internet Sep. 5, 2009.*

Nokia Model # 5200, Nokia Corporation, 2 color sheets of photographs, disclosed on or about Sep. 2006.

Nokia Model # 5300, Nokia Corporation, 2 color sheets of photographs, disclosed on or about Sep. 2006.

* cited by examiner

Primary Examiner—Ian Simmons

Assistant Examiner—Carla Jobe Wright

(74) *Attorney, Agent, or Firm*—Banner & Witcoff, Ltd.

(57) **CLAIM**

The ornamental design for a handset, as shown and described.

DESCRIPTION

FIG. 1 is a perspective front view of a handset showing my new design;

FIG. 2 is a front view thereof;

FIG. 3 is a rear view thereof;

FIG. 4 is a right side view thereof;

FIG. 5 is a left side view thereof;

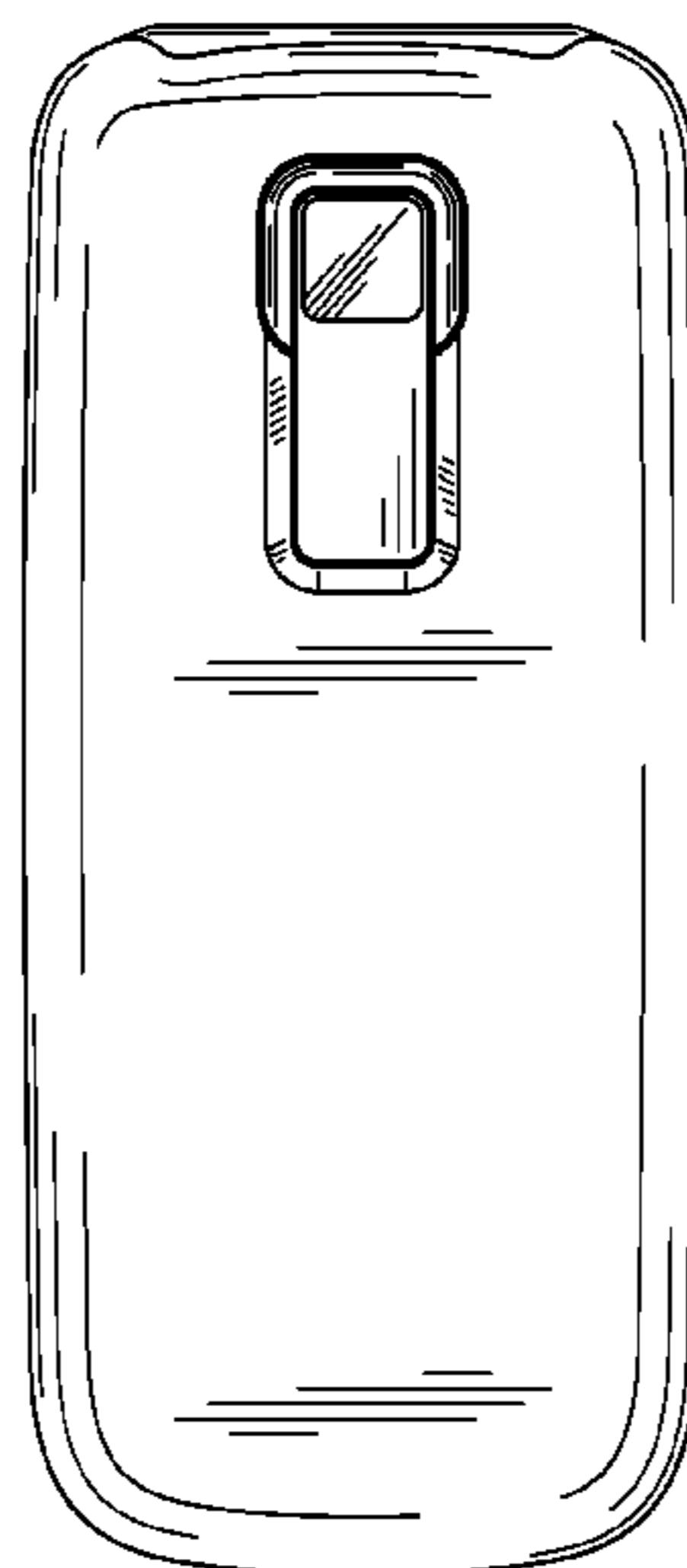
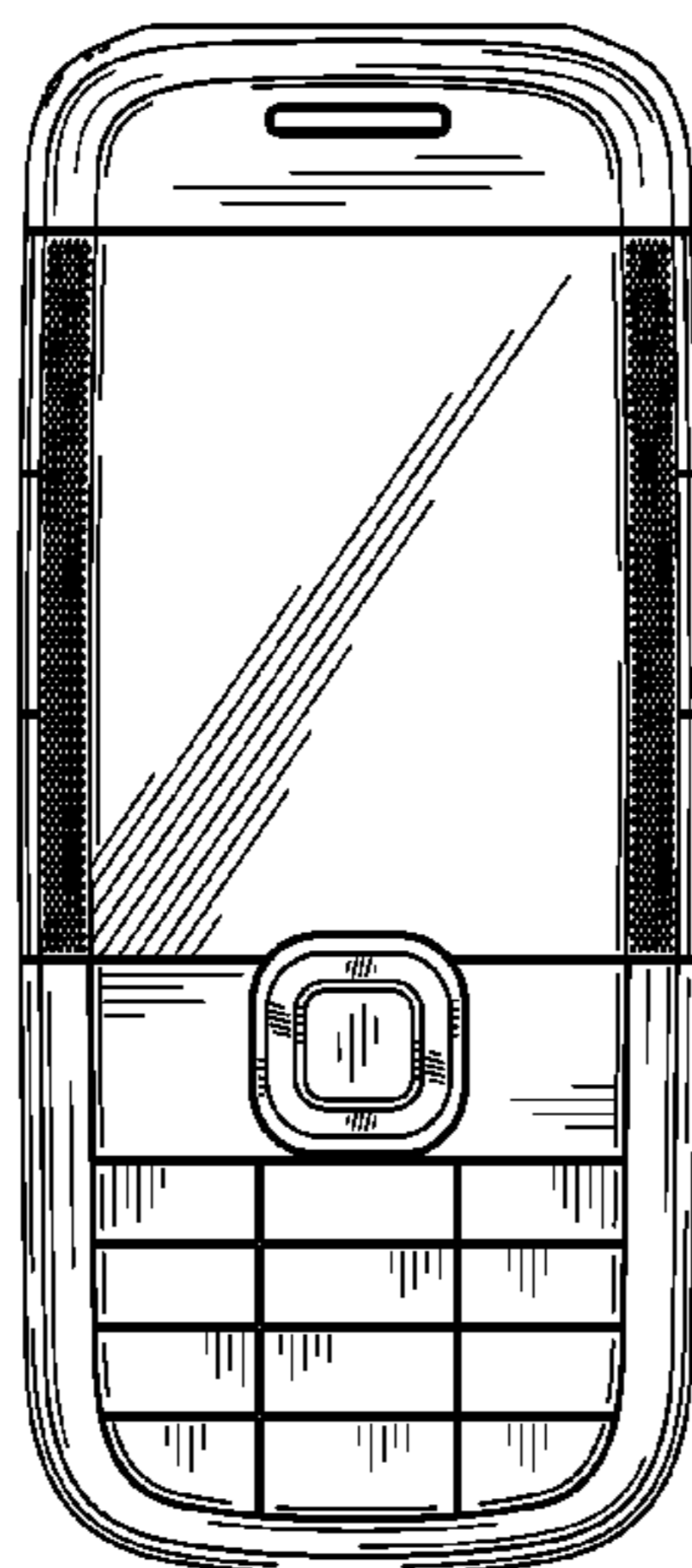
FIG. 6 is a top plan view thereof;

FIG. 7 is a bottom plan view thereof; and,

FIG. 8 is a perspective rear view thereof.

The broken lines that show the outermost periphery of non-claimed features represent boundaries of the claimed design. All other broken lines are directed to environment. The broken lines and unshaded regions that are defined by broken lines form no part of the claimed design.

1 Claim, 4 Drawing Sheets



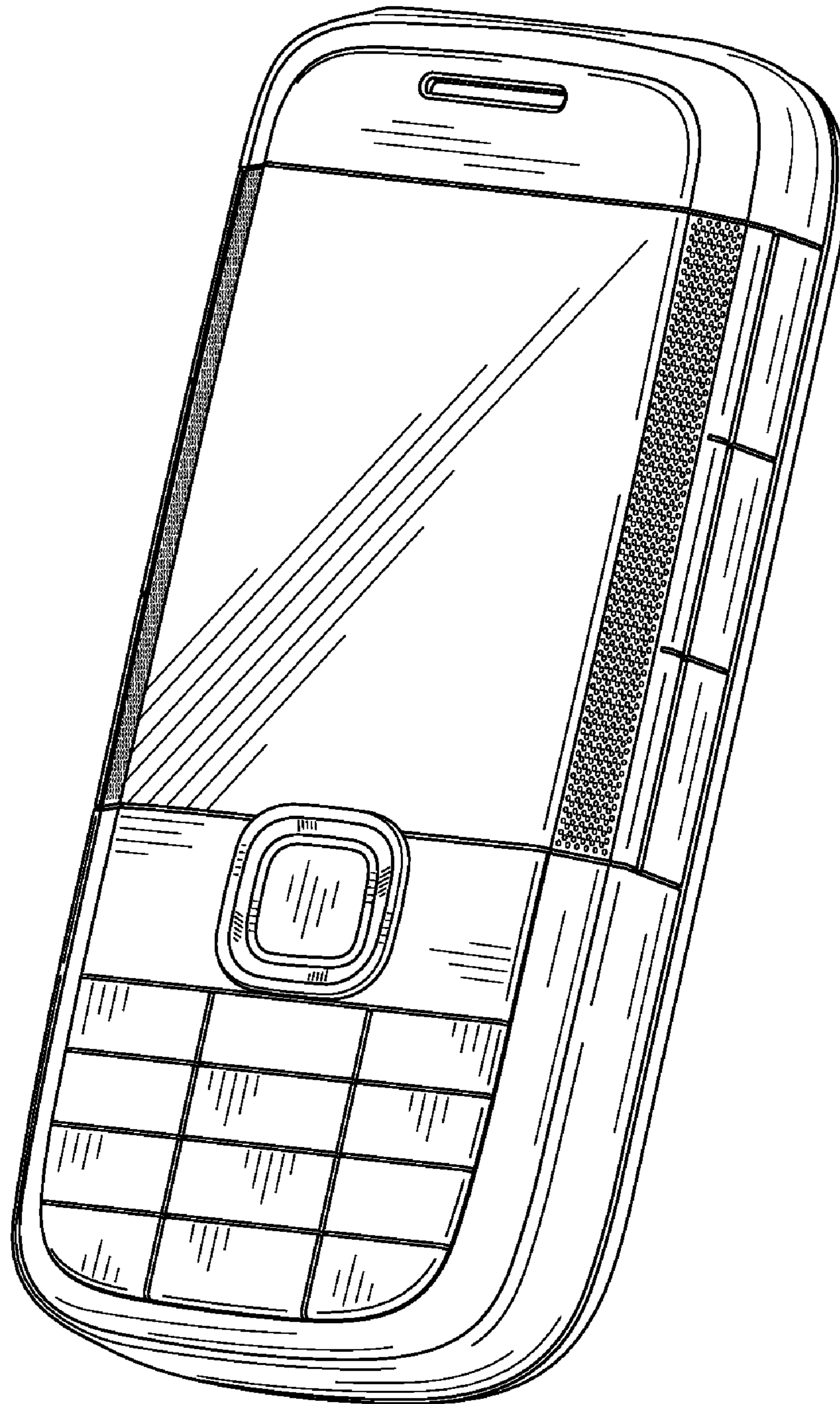


FIG. 1

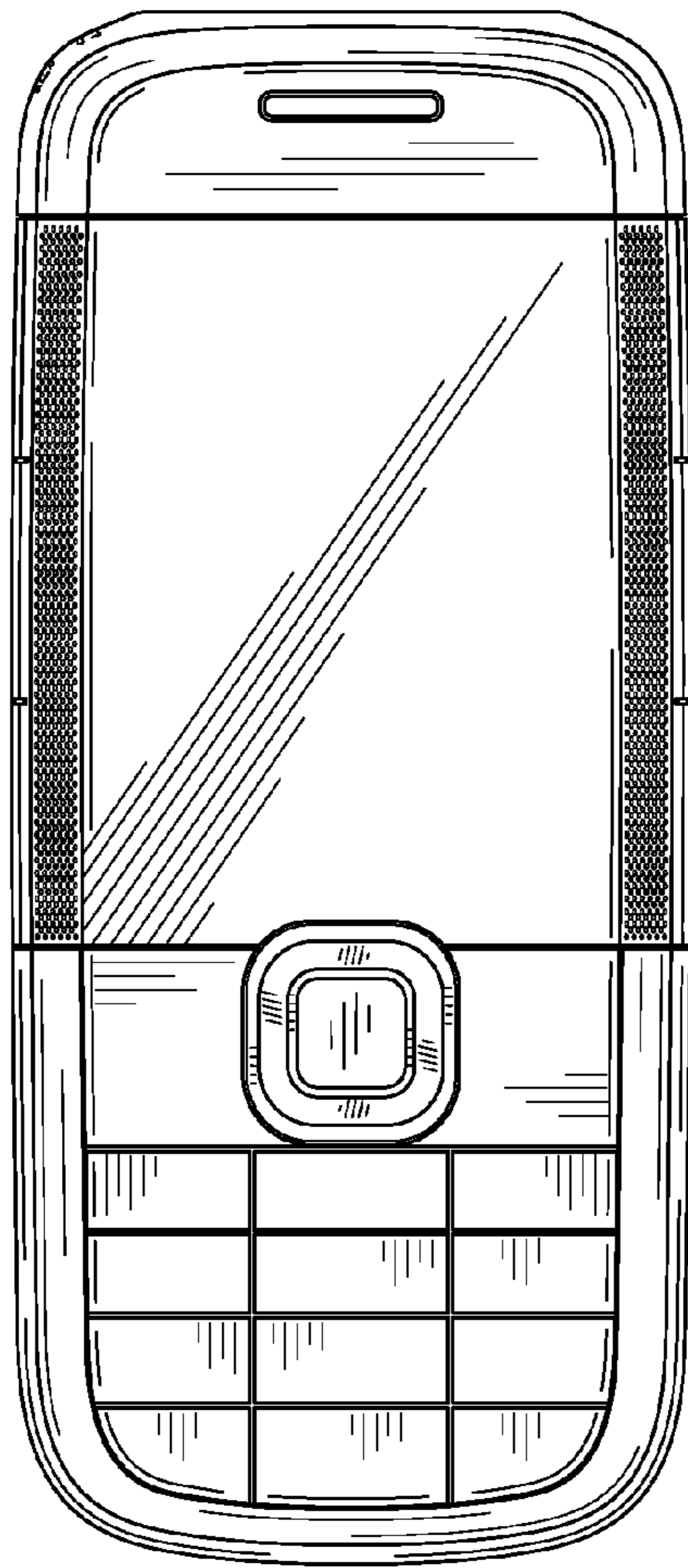


FIG. 2

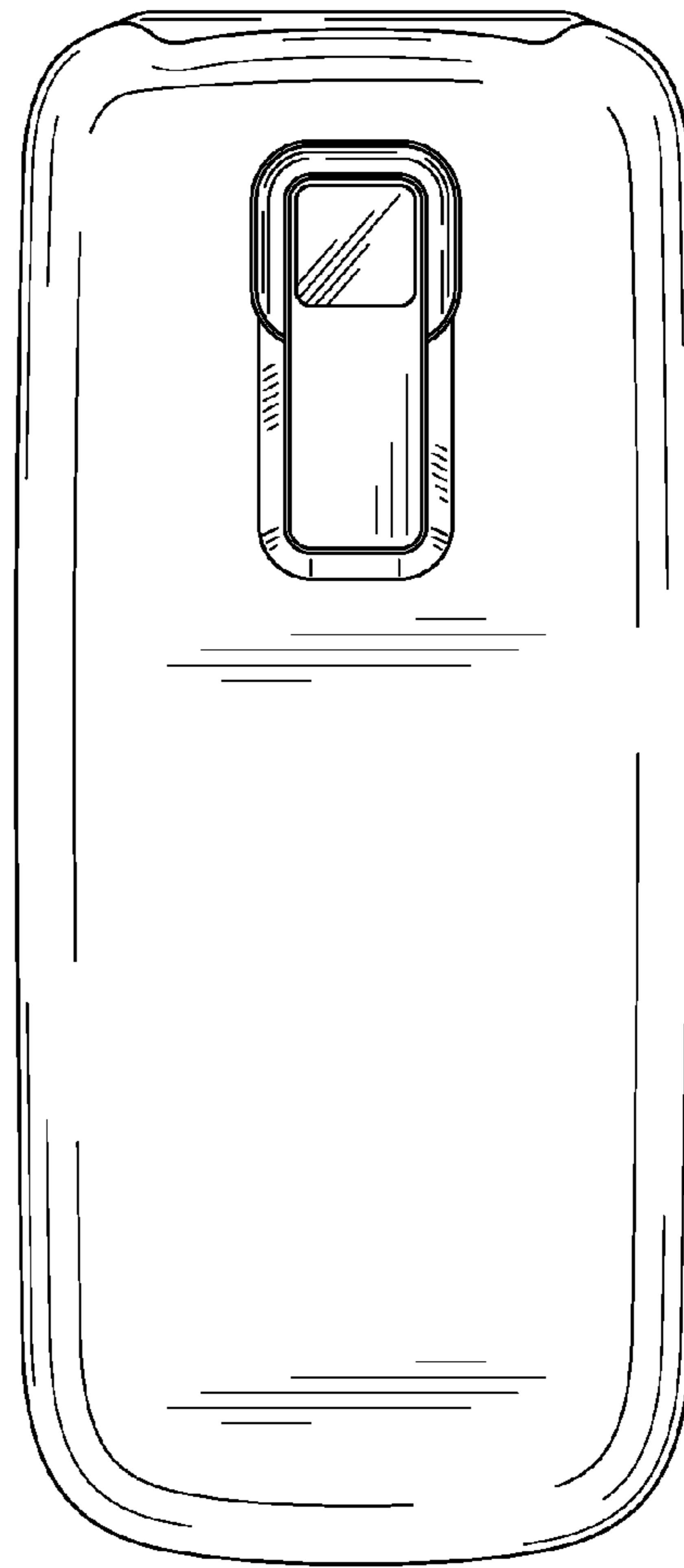


FIG. 3

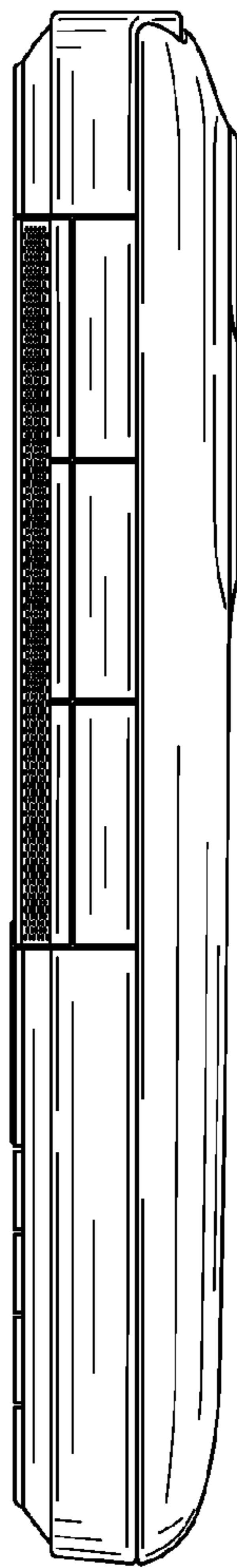


FIG. 4

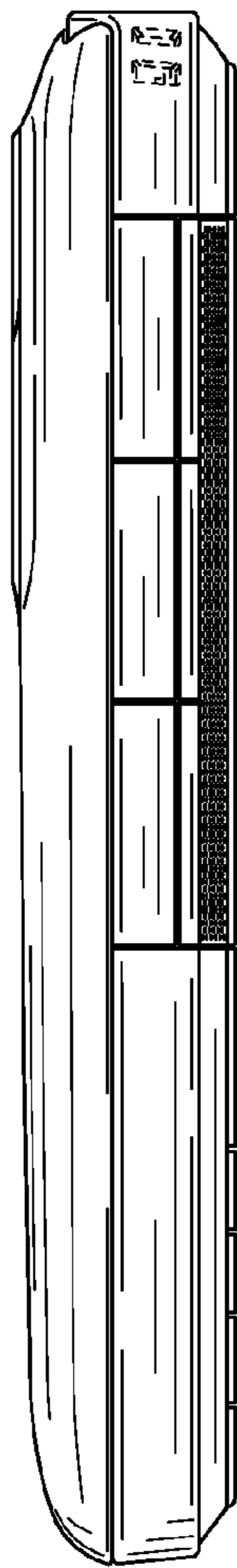


FIG. 5

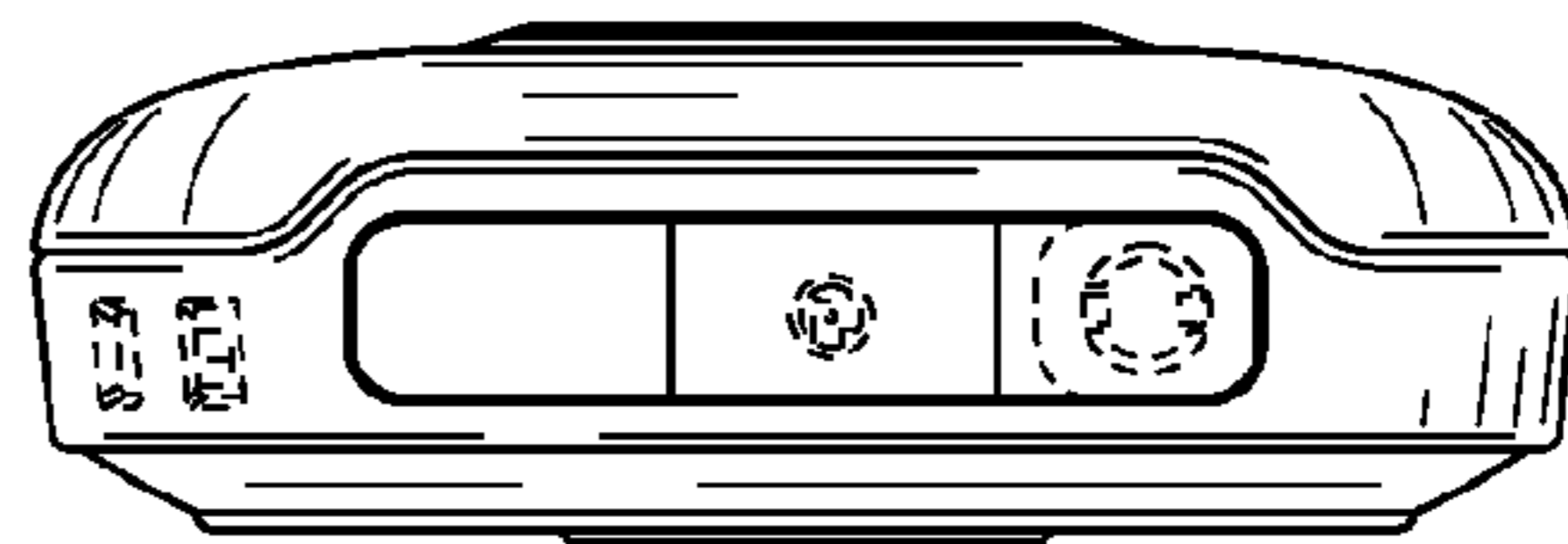


FIG. 6

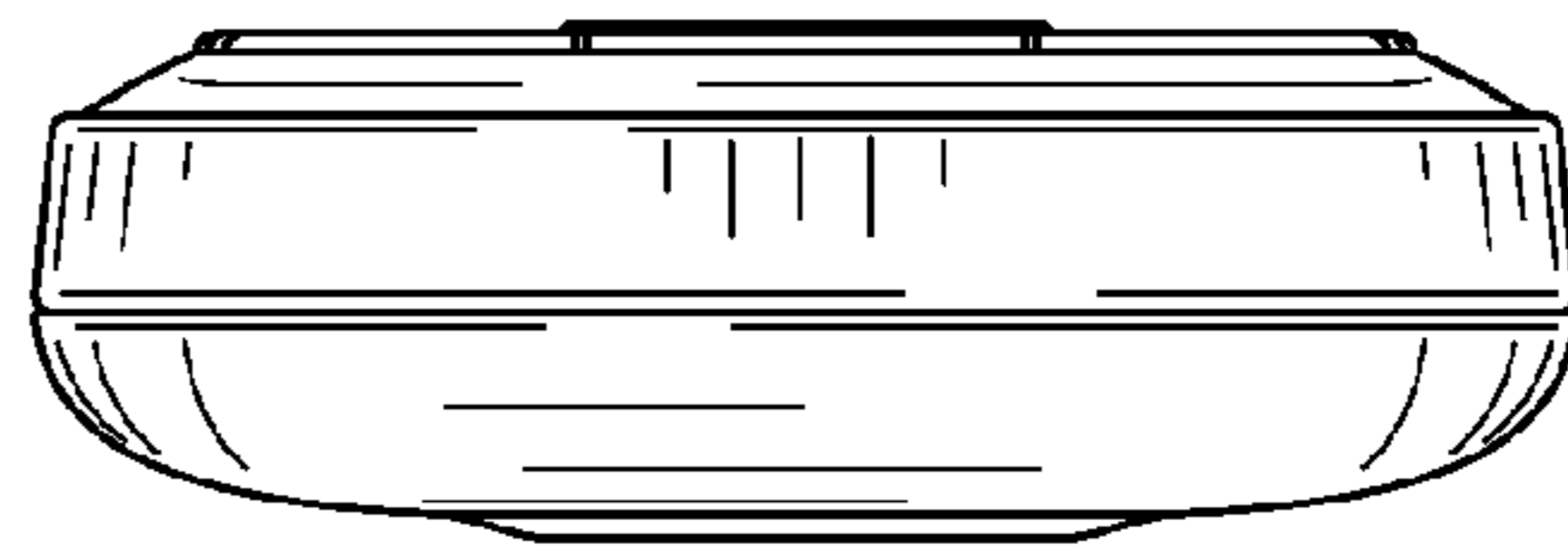


FIG. 7

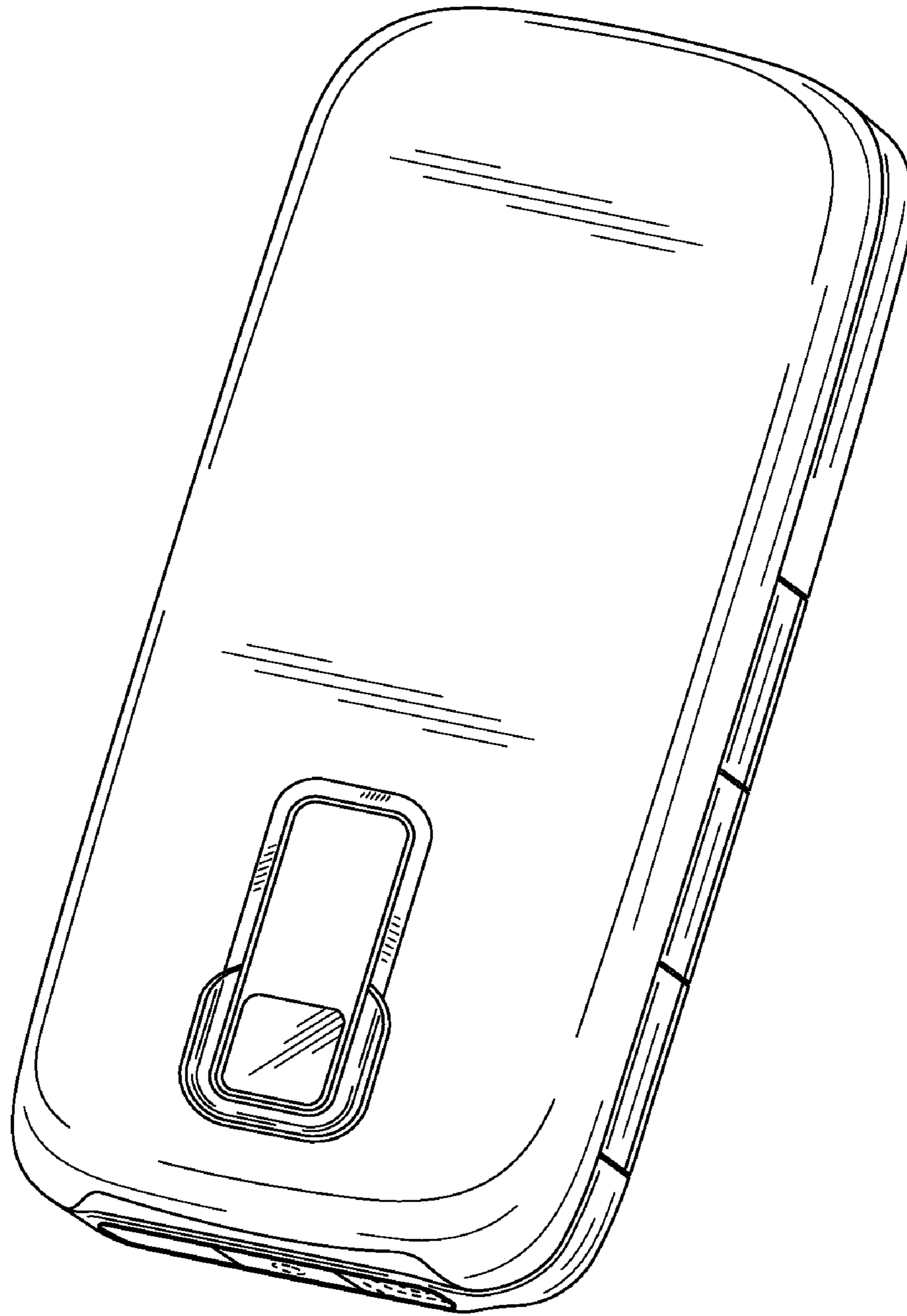


FIG. 8