



US00D608321S

(12) **United States Design Patent**
Husgafvel

(10) **Patent No.:** **US D608,321 S**
(45) **Date of Patent:** **** Jan. 19, 2010**

(54) **COMMUNICATOR**

(75) Inventor: **Ilkka Husgafvel**, Helsinki (FI)

(73) Assignee: **Nokia Corporation**, Espoo (FI)

(**) Term: **14 Years**

(21) Appl. No.: **29/282,096**

(22) Filed: **Jul. 11, 2007**

(30) **Foreign Application Priority Data**

Jan. 19, 2007 (FI) M20070019

(51) **LOC (9) Cl.** **14-03**

(52) **U.S. Cl.** **D14/138 AA**

(58) **Field of Classification Search** D14/137,
D14/138 R, 138 AA, 138 AB, 138 AD, 138 C,
D14/138 G, 143-144, 147-148, 156, 218,
D14/247-248, 341-347, 390, 399, 455-456,
D14/496; D16/208; D21/329, 331, 333,
D21/517; 348/14.01-14.02; 361/814; 379/433.01-433.13;
455/90.3, 556.1-556.2, 566, 575.1, 575.3,
455/575.4; D13/164, 168; 439/165; 343/702;
345/167, 168, 169

See application file for complete search history.

(56) **References Cited**

U.S. PATENT DOCUMENTS

D408,050 S * 4/1999 Takahata et al. D14/345
D415,476 S * 10/1999 Nara et al. D14/345
6,259,932 B1 * 7/2001 Constien 455/556.1
D465,218 S * 11/2002 Schebesch et al. D14/343
D519,094 S * 4/2006 Helin D14/138 AA
D532,767 S * 11/2006 Yoshino et al. D14/138 AA
D534,514 S * 1/2007 Hering D14/138 AA
7,158,634 B2 * 1/2007 Eromaki 379/433.13
D542,257 S * 5/2007 Ahn et al. D14/138 AA

(Continued)

FOREIGN PATENT DOCUMENTS

WO DM/065713 * 8/2004

(Continued)

OTHER PUBLICATIONS

Nokia E90, announced Feb. 2007, <URL:http://www.gsmarena.com/nokia_e90-pictures-1857.php>, retrieved from internet Aug. 23, 2009.*

(Continued)

Primary Examiner—Jeffrey D Asch
Assistant Examiner—Carla Jobe Wright
(74) *Attorney, Agent, or Firm*—Banner & Witcoff, Ltd.

(57) **CLAIM**

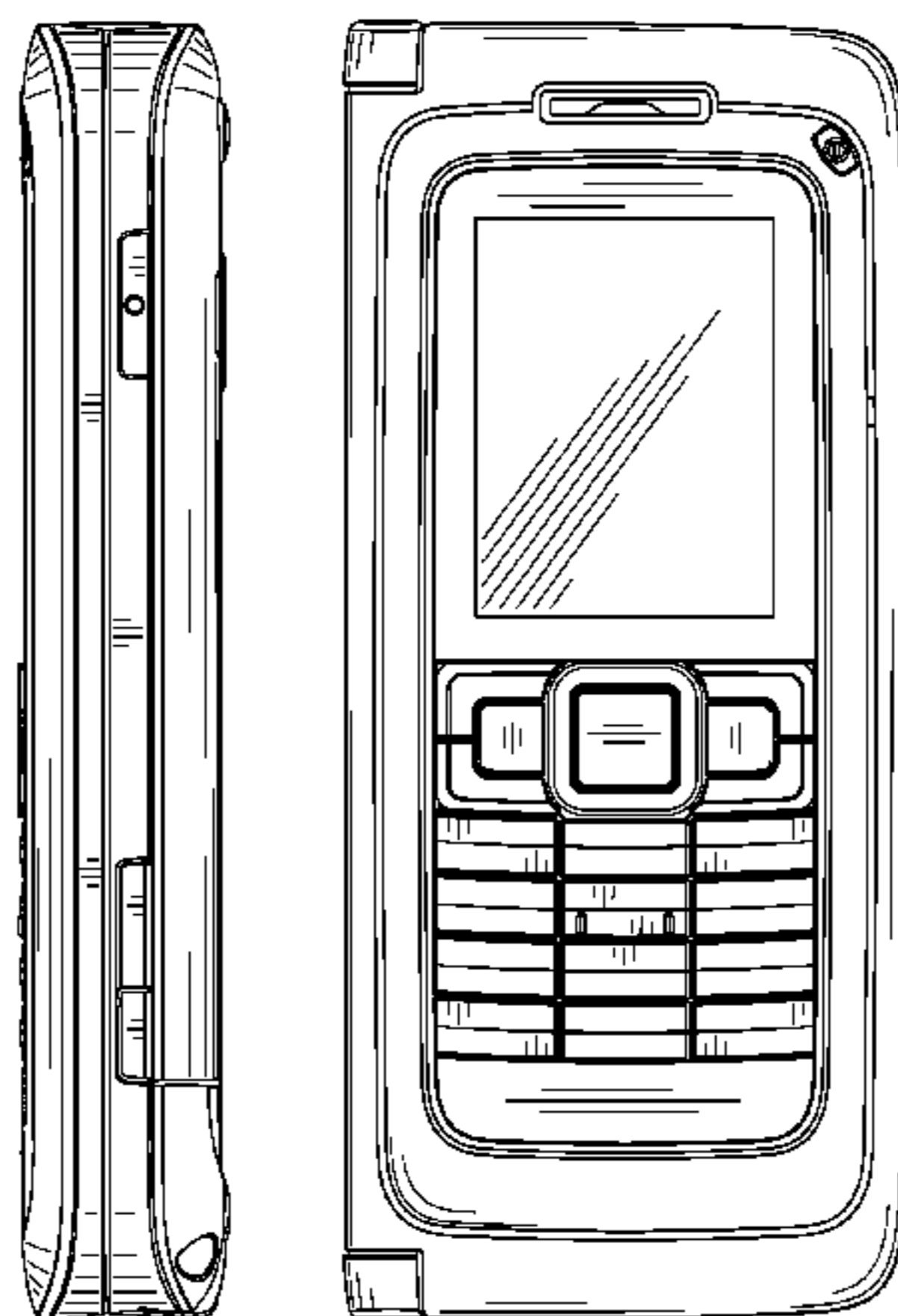
The ornamental design for a communicator, as shown and described.

DESCRIPTION

FIG. 1 is a bottom plan view of a communicator showing my new design;
FIG. 2 is a right side view thereof;
FIG. 3 is a front view thereof;
FIG. 4 is a left side view thereof;
FIG. 5 is a top plan view thereof;
FIG. 6 is a rear view thereof;
FIG. 7 is a perspective front view thereof;
FIG. 8 is a perspective rear view thereof;
FIG. 9 is a front view of the communicator of FIGS. 1-8 showing my new design in an in-use open position;
FIG. 10 is a perspective front view thereof;
FIG. 11 is a front view of the communicator of FIGS. 1-8 showing my new design in a second in-use open position; and,
FIG. 12 is a perspective front view thereof.

The rectangular region on the upper half of the front of the communicator, shown in FIGS. 3 and 7, and the rectangular region on the inside of the communicator, shown in FIGS. 9-12, represent display screens.

1 Claim, 9 Drawing Sheets



US D608,321 S

Page 2

U.S. PATENT DOCUMENTS

D546,314 S * 7/2007 Im D14/138 AA
D550,642 S * 9/2007 Jiang et al. D14/138 AA
D551,237 S * 9/2007 Hering D14/455
D552,584 S * 10/2007 Lee D14/138 AA
D553,604 S * 10/2007 Choi et al. D14/138 AA
D555,616 S * 11/2007 Lin D14/138 AD
D563,364 S * 3/2008 Kim et al. D14/138 AB
D563,936 S * 3/2008 Kim et al. D14/138 AD
D565,015 S * 3/2008 Kim et al. D14/138 AA
D565,017 S * 3/2008 Kim et al. D14/138 AA
D574,802 S * 8/2008 Eroma et al. D14/138 AA
D577,018 S * 9/2008 Lin D14/346
D580,433 S * 11/2008 Chiang et al. D14/345
D584,279 S * 1/2009 Yoshie et al. D14/138 AA
D593,052 S * 5/2009 Hung D14/138 AA
2004/0058720 A1 * 3/2004 Kubo et al. 455/575.1

2006/0105806 A1* 5/2006 Vance et al. 455/556.1

FOREIGN PATENT DOCUMENTS

WO DM/065843 * 8/2004
WO DM/068405 * 11/2006

OTHER PUBLICATIONS

i-mate Ultimate 7150, announced Feb. 2007, <URL:http://www.gsmarena.com/i_mate_ultimate_7150-pictures-1882.php>, retrieved from internet Aug. 23, 2009.*
Nokia Model # 6810, Nokia Corporation, 2 color sheets of photographs, disclosed on or about Oct. 2003.
Nokia Model # 9210, Nokia Corporation, 2 color sheet of photographs, disclosed on or about Nov. 2000.
Nokia Model # 9300, Nokia Corporation, 2 color sheet of photographs, disclosed on or about Sep. 2004.
Nokia Model # 9500, Nokia Corporation, 6 color sheet of photographs, disclosed on or about Feb. 2004.

* cited by examiner

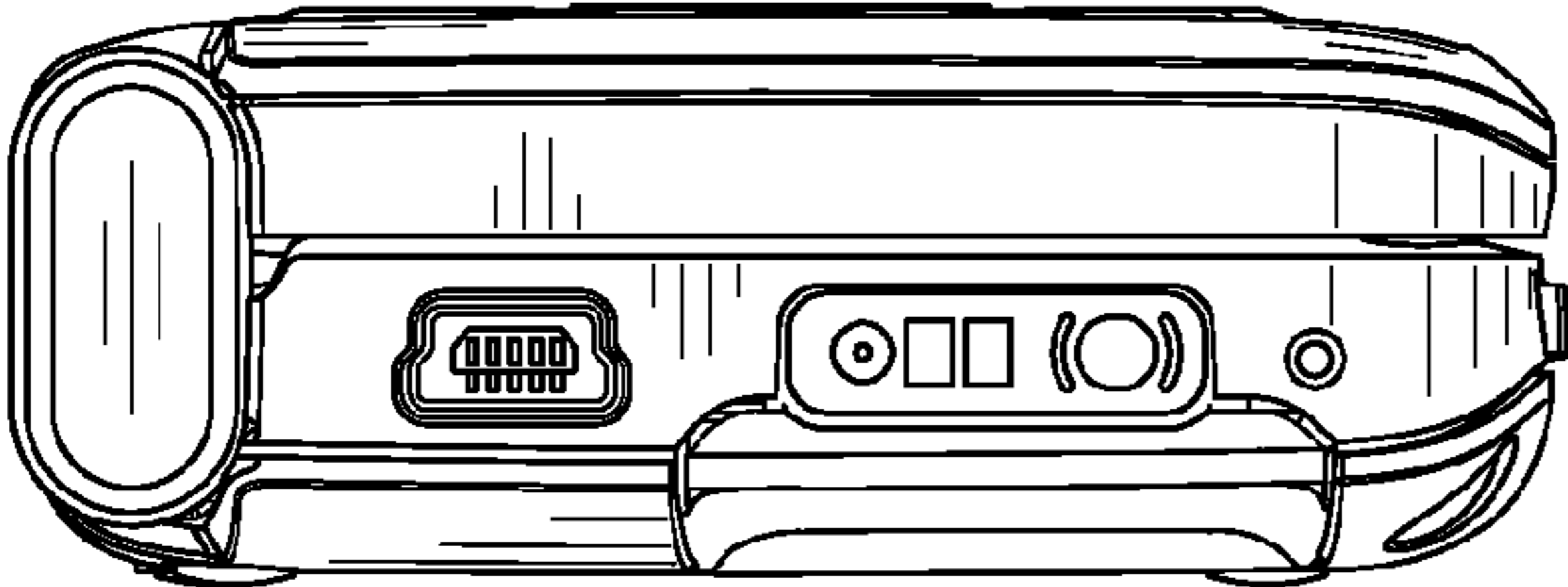


FIG. 1

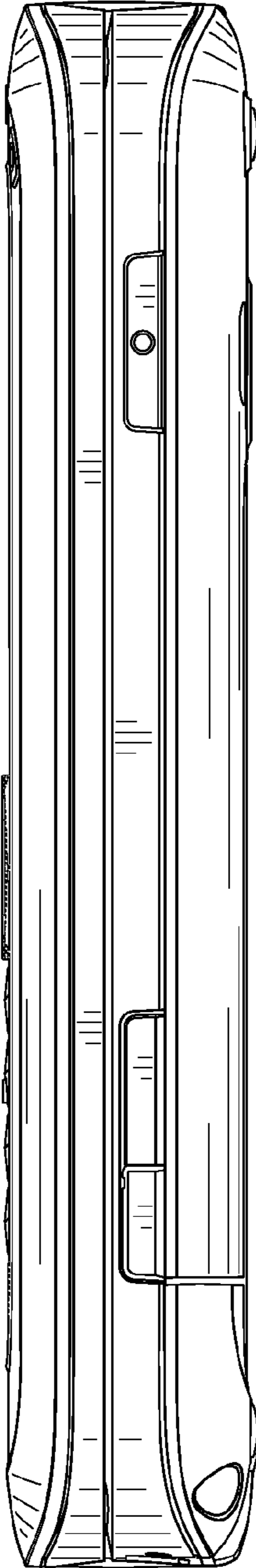


FIG. 2

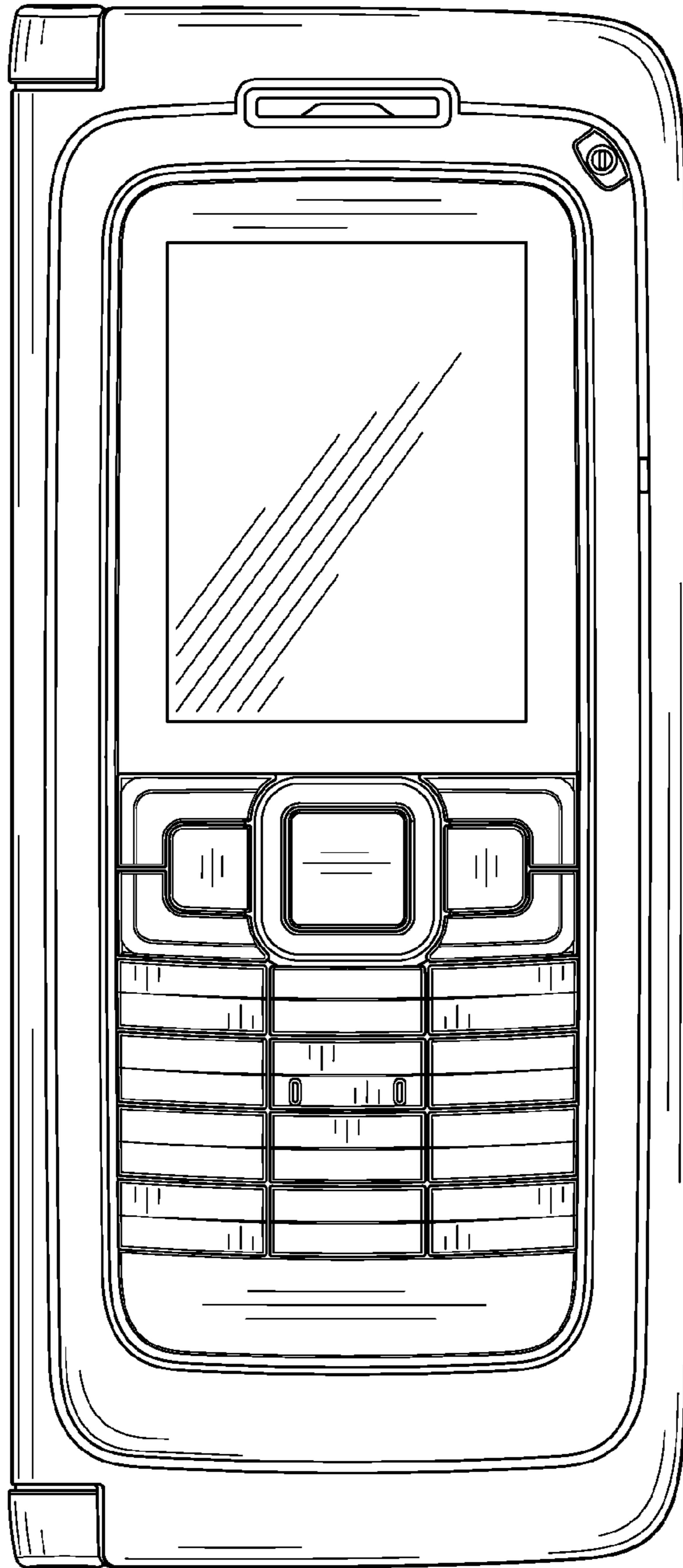


FIG. 3

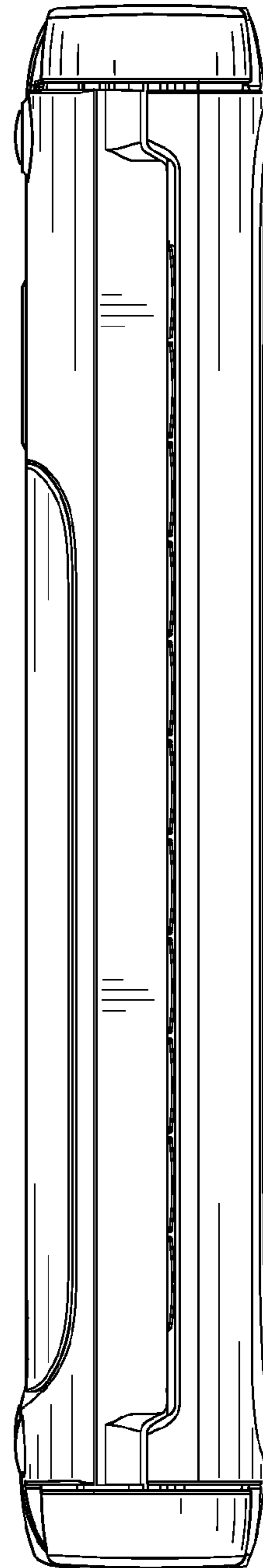


FIG. 4

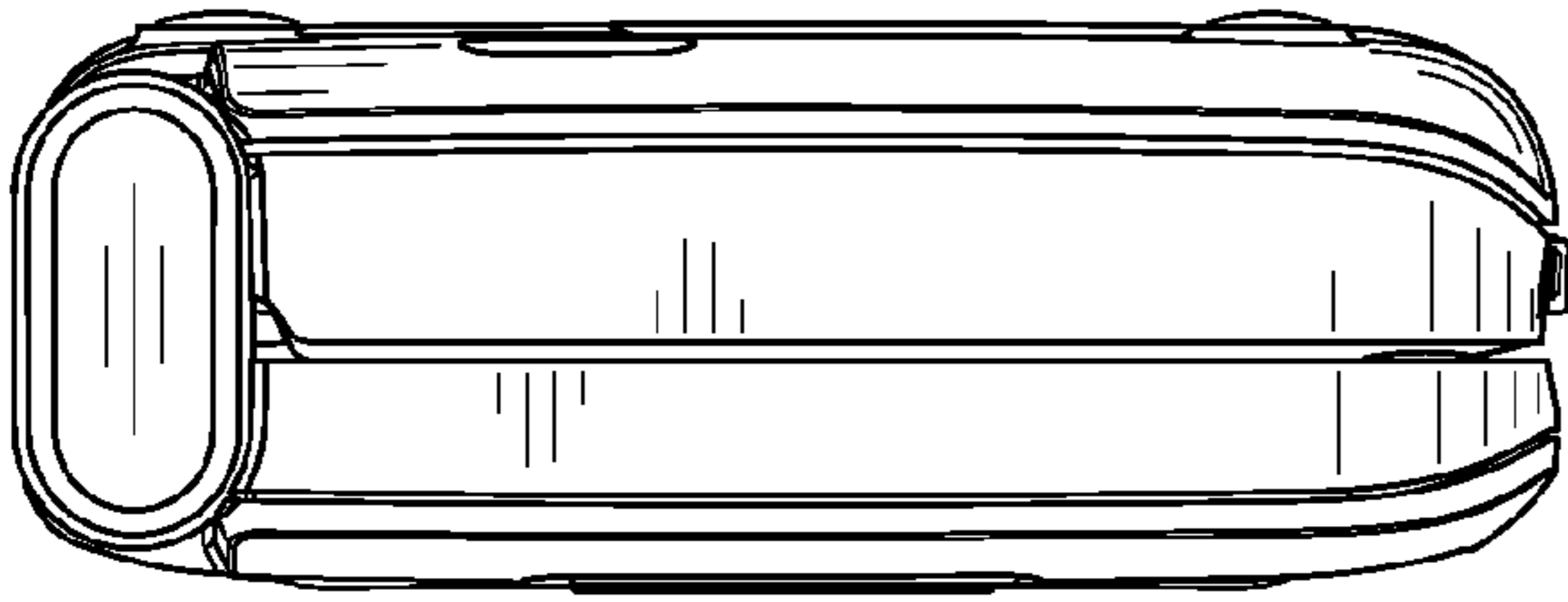


FIG. 5

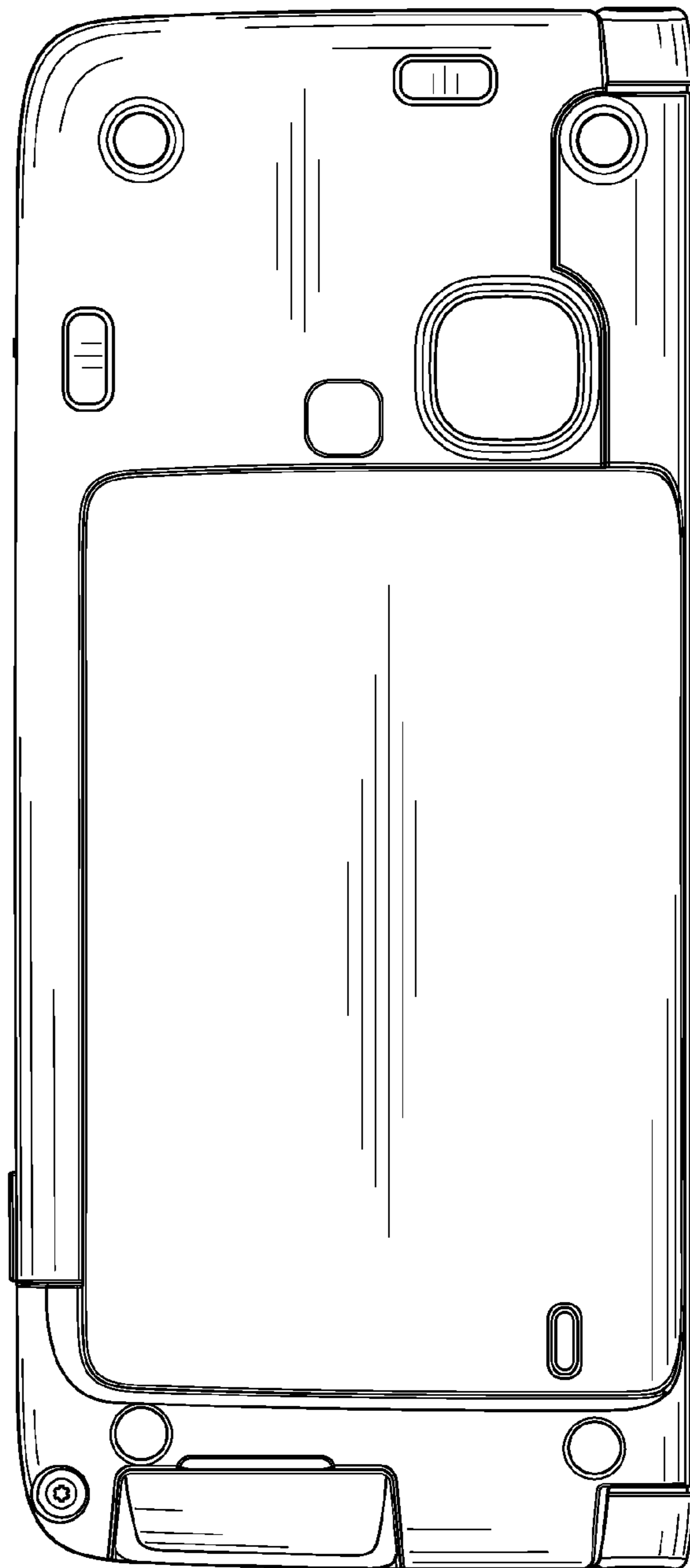


FIG. 6

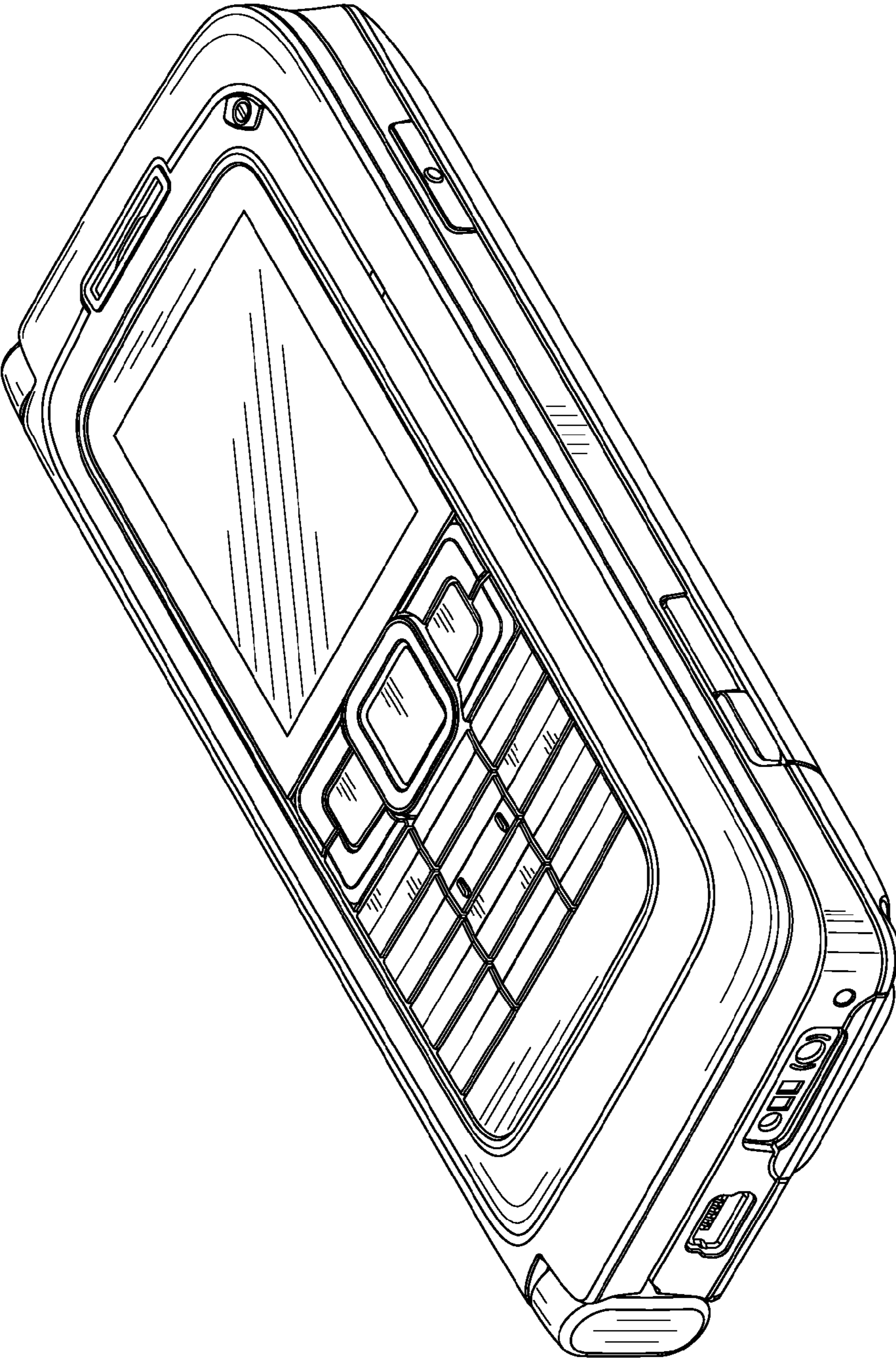


FIG. 7

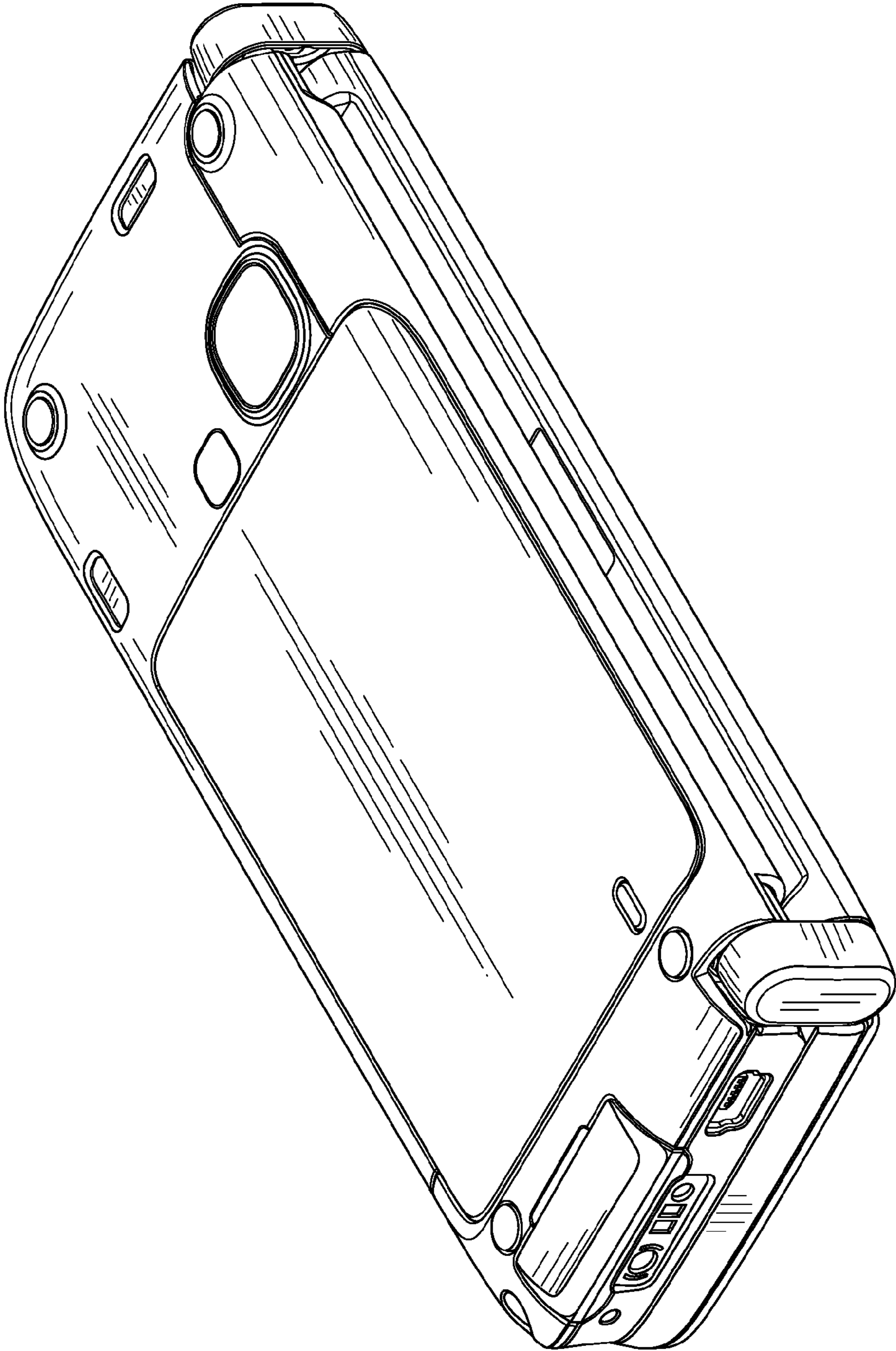


FIG. 8

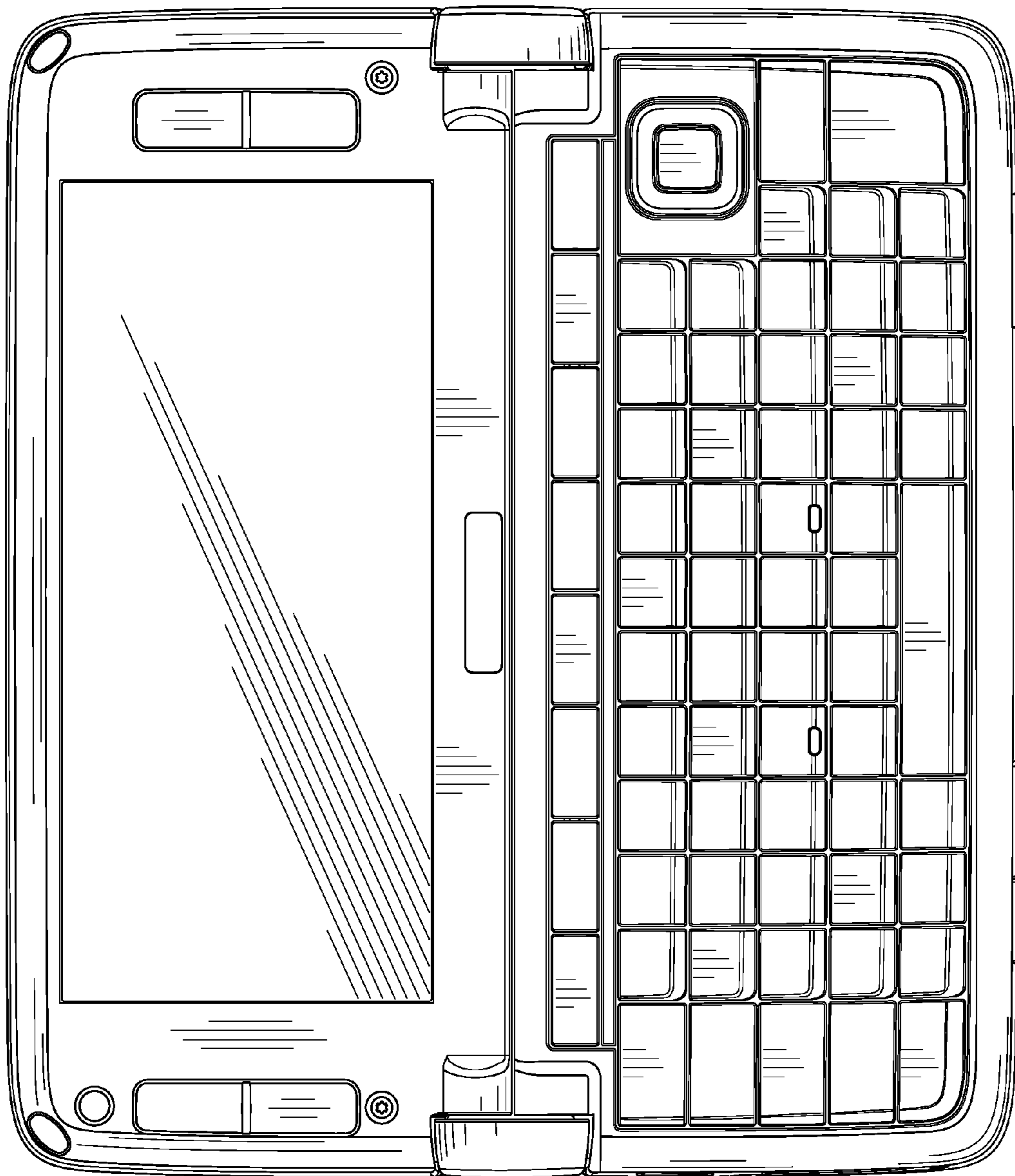


FIG. 9

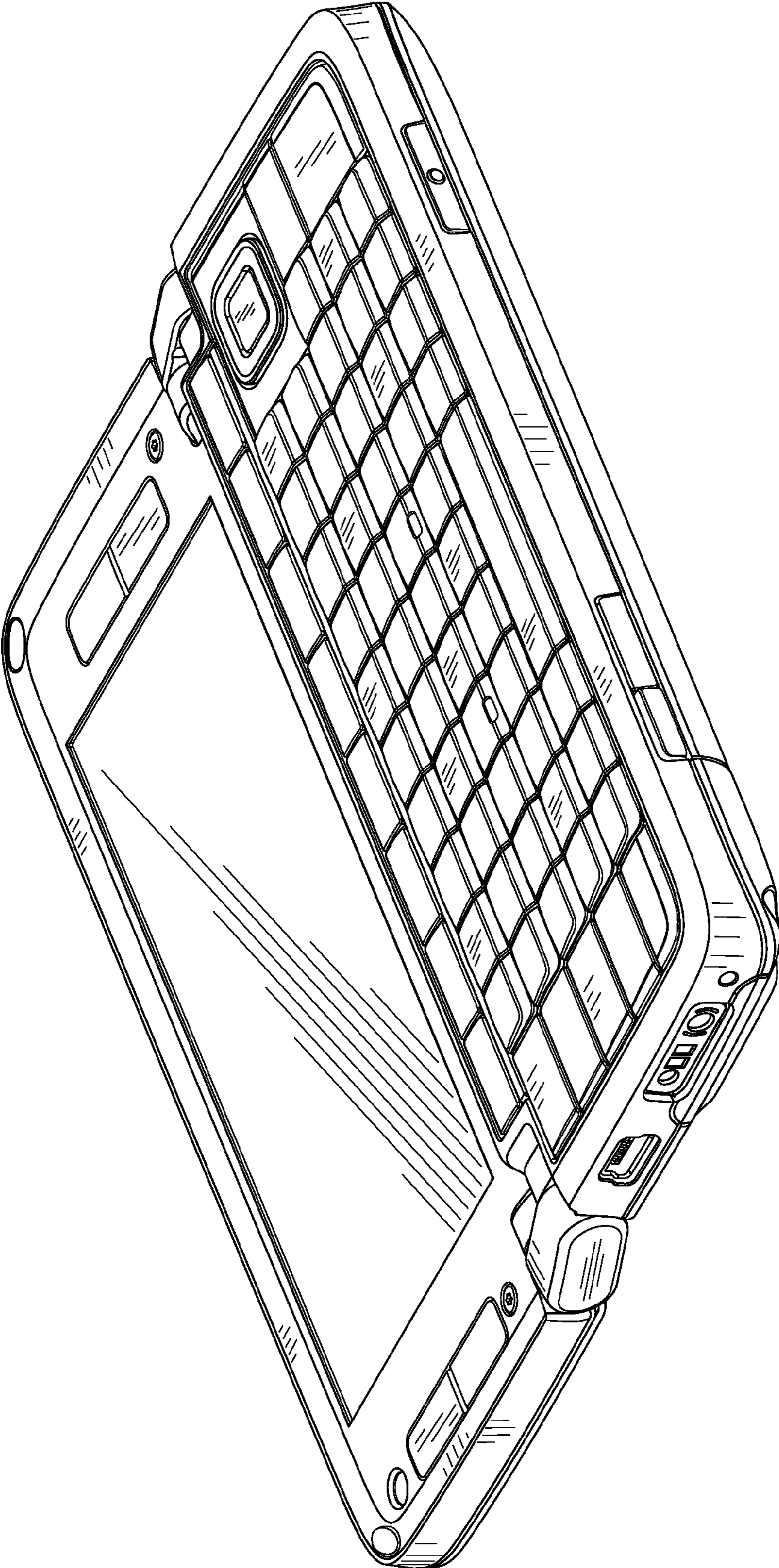


FIG. 10

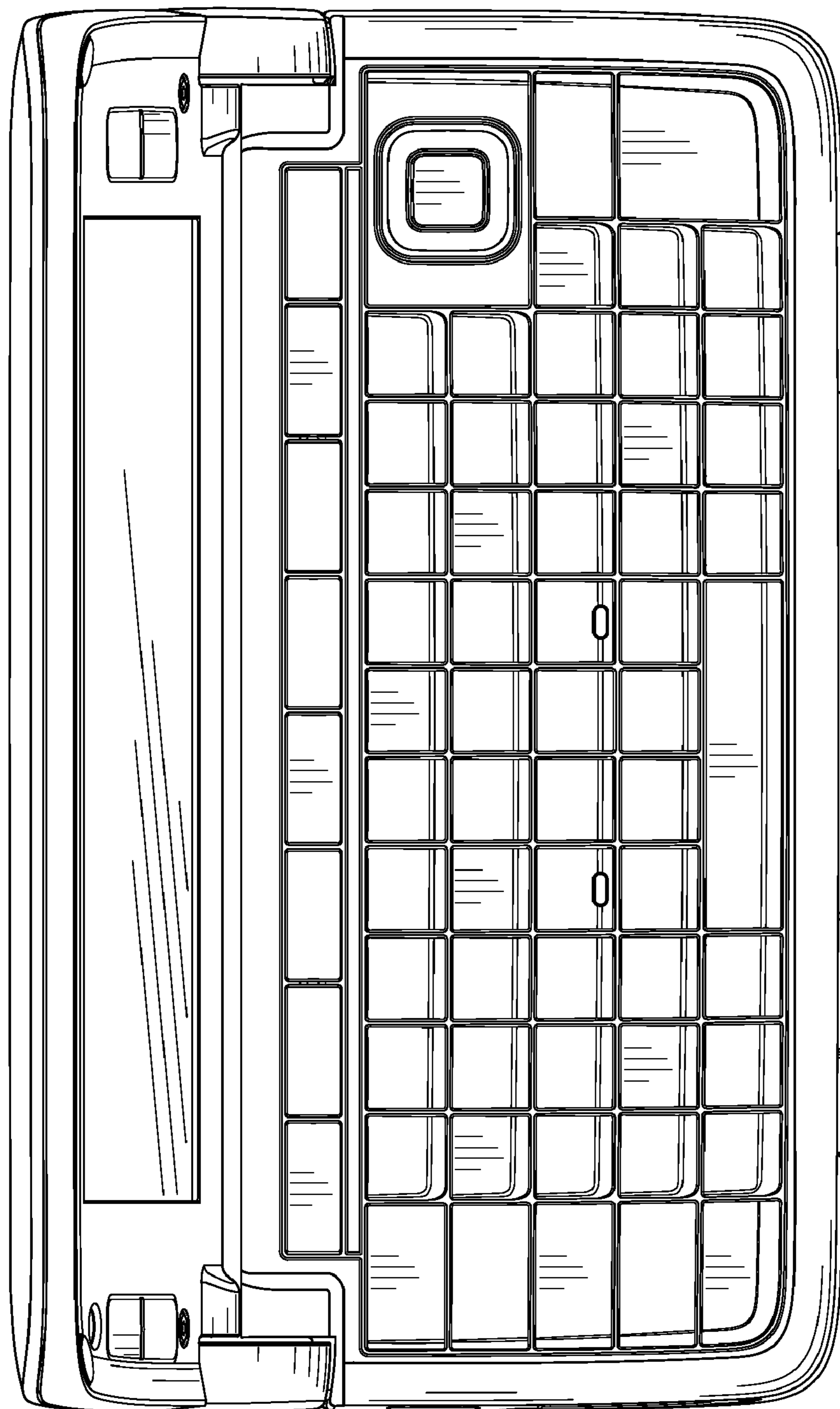


FIG. 11

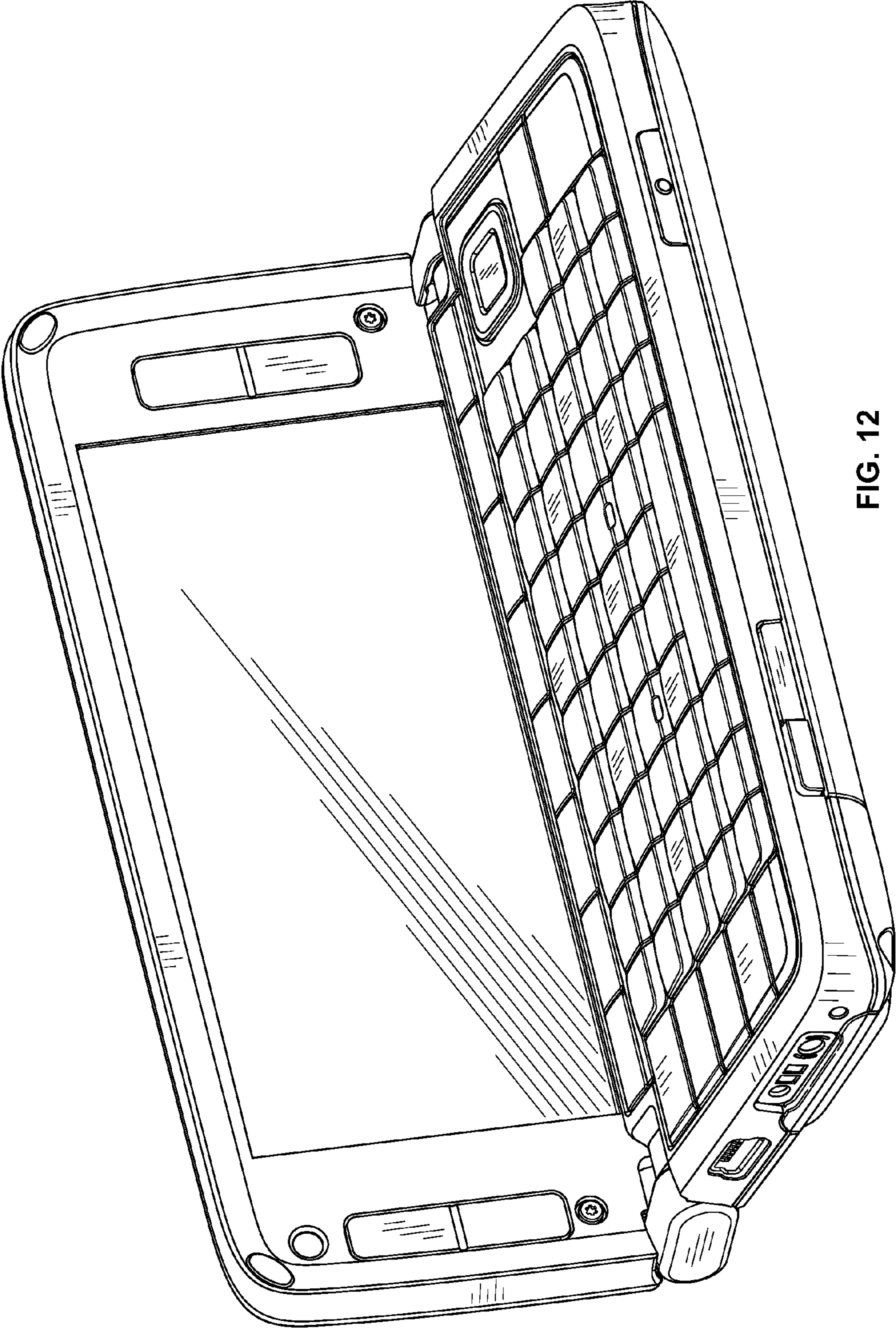


FIG. 12