



US00D608317S

(12) **United States Design Patent**
Nishizawa

(10) **Patent No.:** **US D608,317 S**
(45) **Date of Patent:** **** Jan. 19, 2010**

(54) **RADIO COMMUNICATION DEVICE**

(75) Inventor: **Haruki Nishizawa**, Osaka (JP)

(73) Assignee: **Icom Incorporated**, Osaka (JP)

(**) Term: **14 Years**

(21) Appl. No.: **29/290,875**

(22) Filed: **Jan. 25, 2008**

(30) **Foreign Application Priority Data**

Aug. 21, 2007 (JP) 2007-022530

(51) **LOC (9) Cl.** **14-03**

(52) **U.S. Cl.** **D14/137; D14/139**

(58) **Field of Classification Search** D14/137,
D14/155, 160-171, 188, 191-198, 217, 138 R,
D14/138 AA, 138 C, 138 AD, 138 AC, 138 G,
D14/147, 218, 341-347; 361/814; 455/90.1-90.3
See application file for complete search history.

(56) **References Cited**

U.S. PATENT DOCUMENTS

- 3,346,812 A * 10/1967 McKenna et al. 455/90.3
- D221,555 S * 8/1971 Krolopp D14/137
- 4,045,739 A * 8/1977 Kawasaki 455/74
- D250,712 S * 1/1979 Yanitz D14/137
- D250,815 S * 1/1979 Yanitz D14/137
- D254,738 S * 4/1980 Hoshino et al. D14/196
- D281,601 S * 12/1985 Liautaud et al. D14/138 R
- D292,208 S * 10/1987 Fuhrman D14/137
- D345,735 S * 4/1994 Ito et al. D14/164
- D413,888 S * 9/1999 Ito et al. D14/164
- 6,778,388 B1 * 8/2004 Minelli 361/690
- D531,982 S * 11/2006 Akita D14/188
- D575,266 S * 8/2008 Nishida D14/198

OTHER PUBLICATIONS

ICOM F521-621, [online], [retrieved on Mar. 20, 2009]. Retrieved from Internet ,<URL: http://www.talktwo-way.com>.*

ICOM IC-V8000, [online], [retrieved on Mar. 20, 2009]. Retrieved from Internet ,<URL: http://www.twowayradioonline.com>.*

(Continued)

Primary Examiner—Jeffrey D Asch

Assistant Examiner—Bridget L Eland

(74) *Attorney, Agent, or Firm*—Wenderoth, Lind & Ponack, L.L.P.

(57) **CLAIM**

The ornamental design for a radio communication device, as shown and described.

DESCRIPTION

FIG. 1 is a perspective view of a radio communication device; FIG. 2 is a front view of the radio communication device shown in FIG. 1;

FIG. 3 is a back view of the radio communication device shown in FIG. 1;

FIG. 4 is a left side view of the radio communication device shown in FIG. 1;

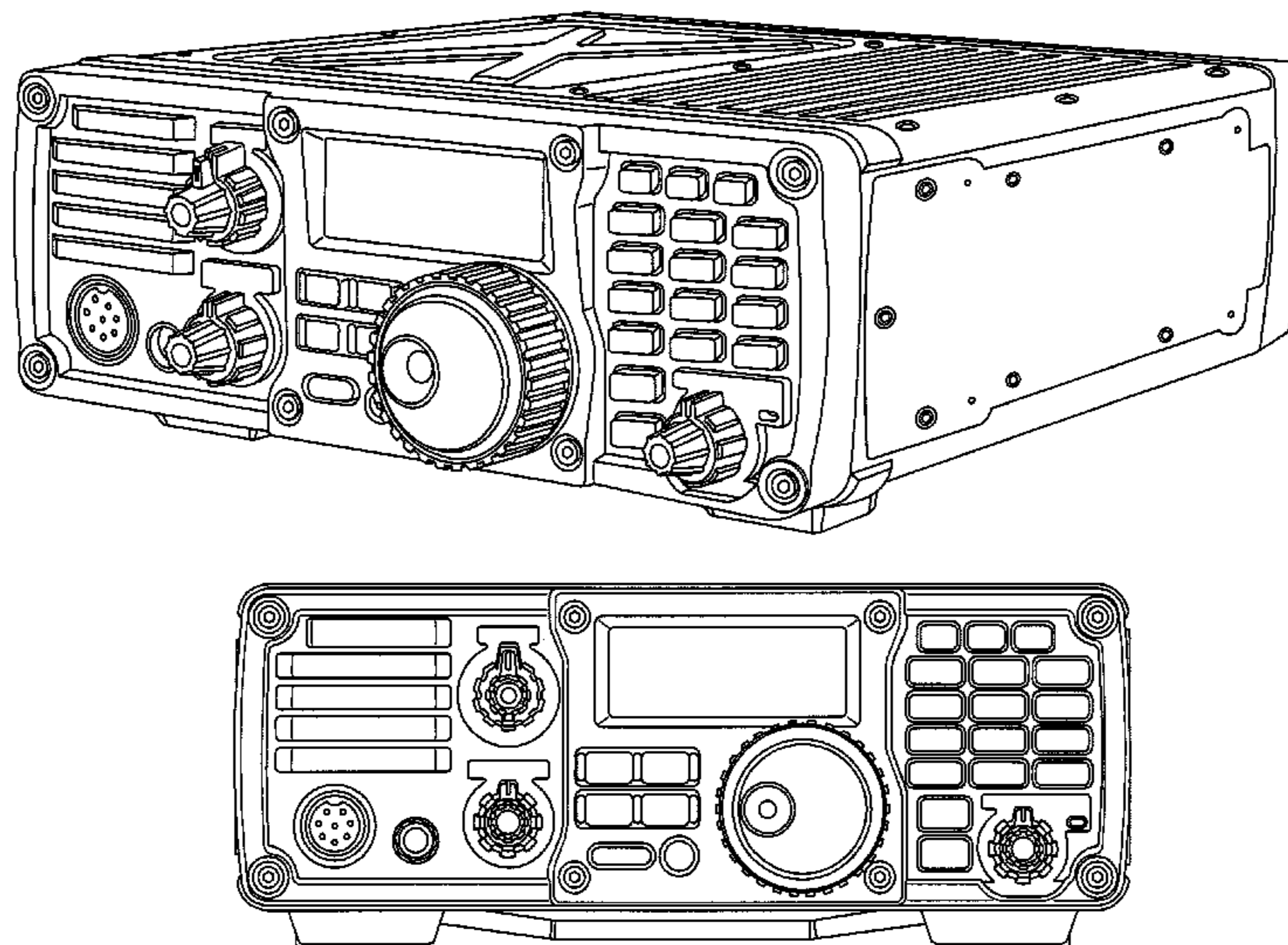
FIG. 5 is a right side view of the radio communication device shown in FIG. 1;

FIG. 6 is a bottom view of the radio communication device shown in FIG. 1; and,

FIG. 7 is a top view of the radio communication device shown in FIG. 1.

The broken lines immediately adjacent the shaded areas represent the bounds of the claimed design while all other broken lines are directed to environment and are for illustrative purposes only; the broken lines form no part of the claimed design.

1 Claim, 7 Drawing Sheets



US D608,317 S

Page 2

OTHER PUBLICATIONS

ICOMIC-718, [online], [retrieved on Mar. 20, 2009]. Retrieved from Internet ,<URL: <http://www.twowayradioonline.com>>.*

ICOMIC-R75, [online], [retrieved on Mar. 20, 2009]. Retrieved from Internet ,<URL: <http://www.twowayradioonline.com>>.*

* cited by examiner

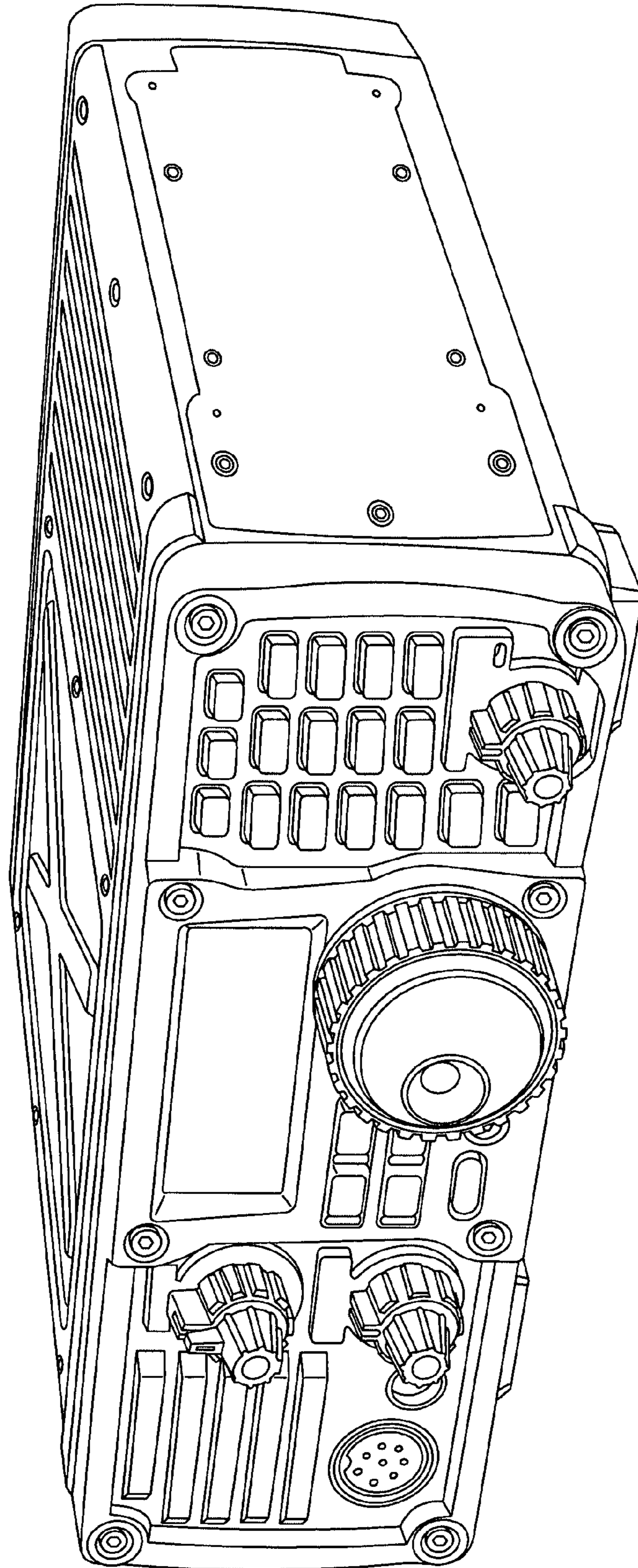


FIG. 1

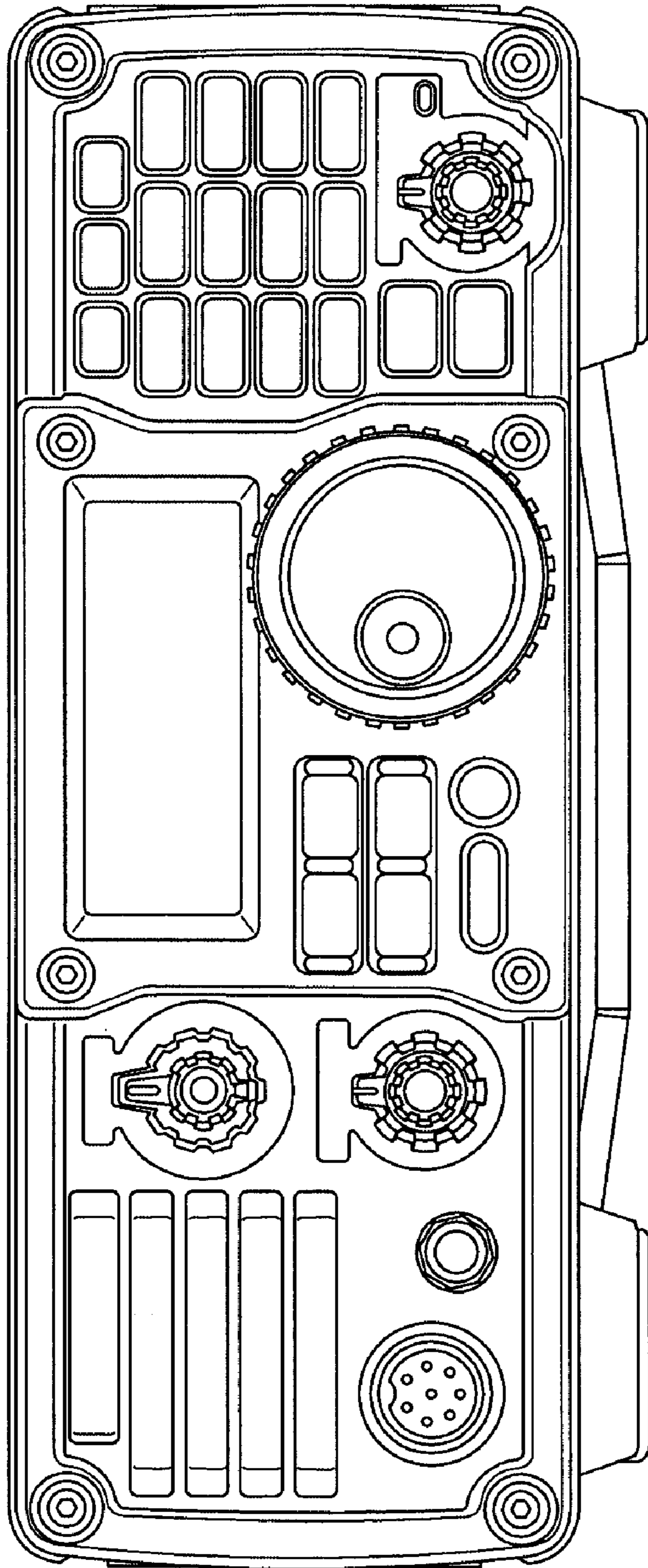


FIG. 2

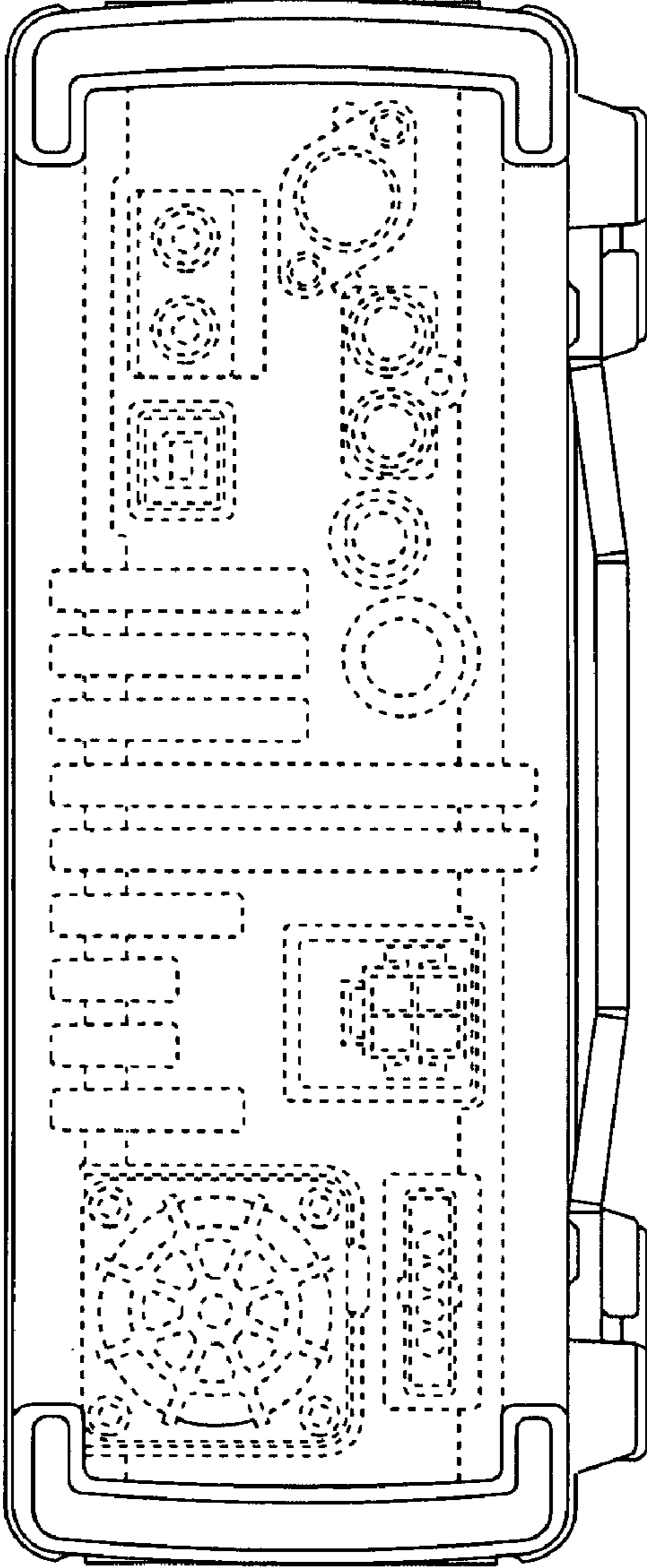


FIG. 3

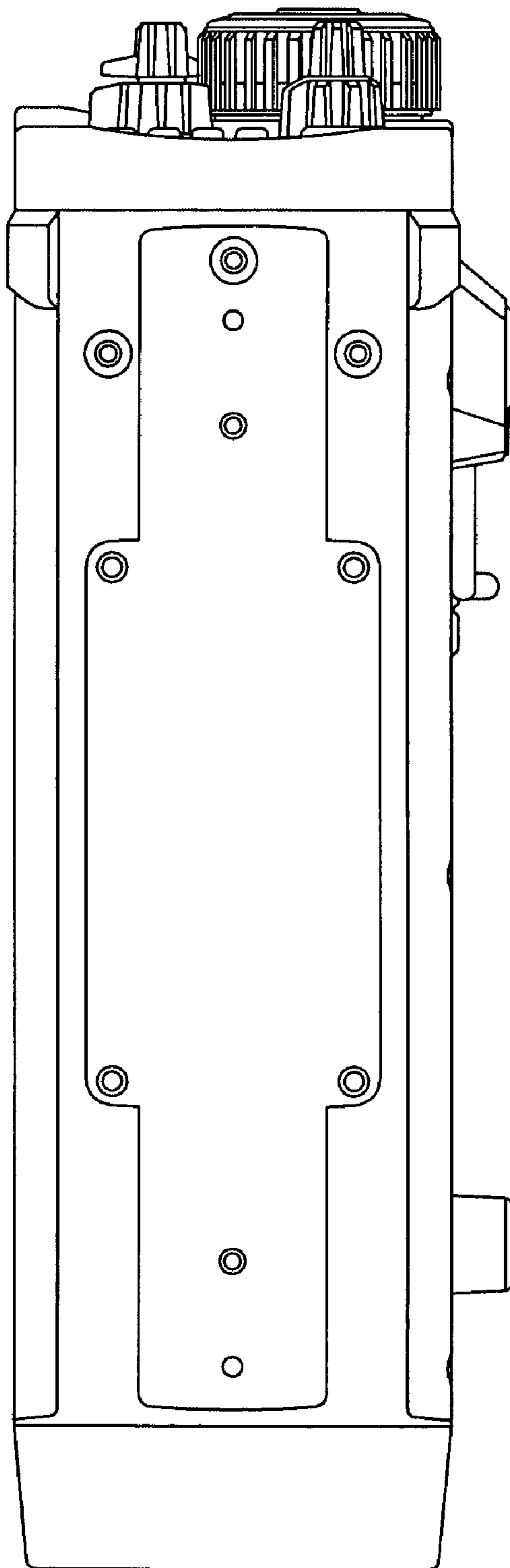


FIG. 4

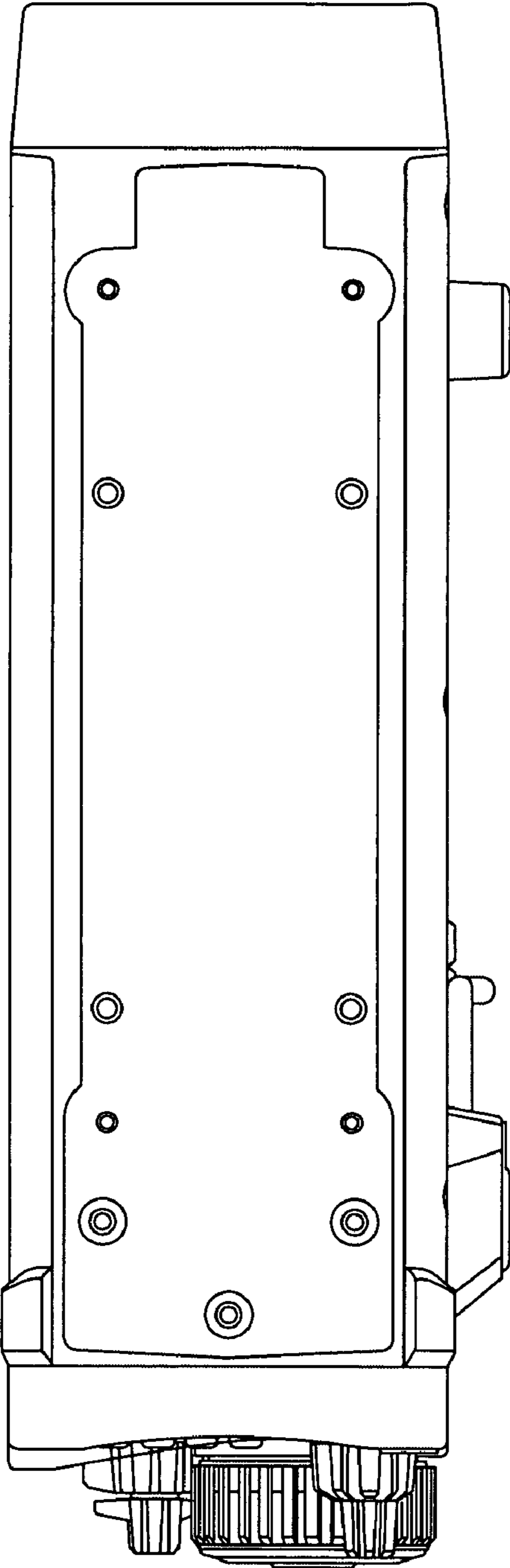


FIG. 5

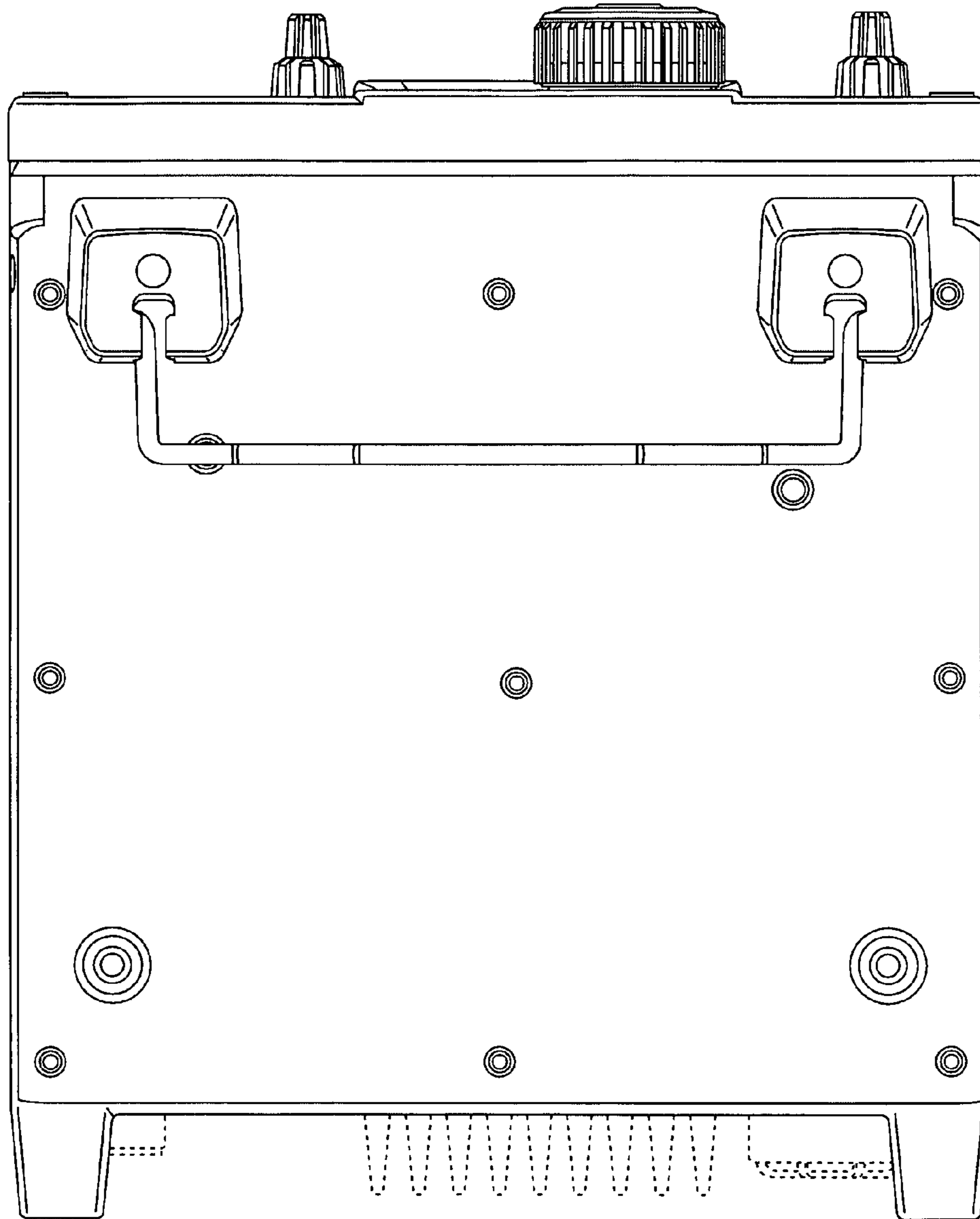


FIG. 6

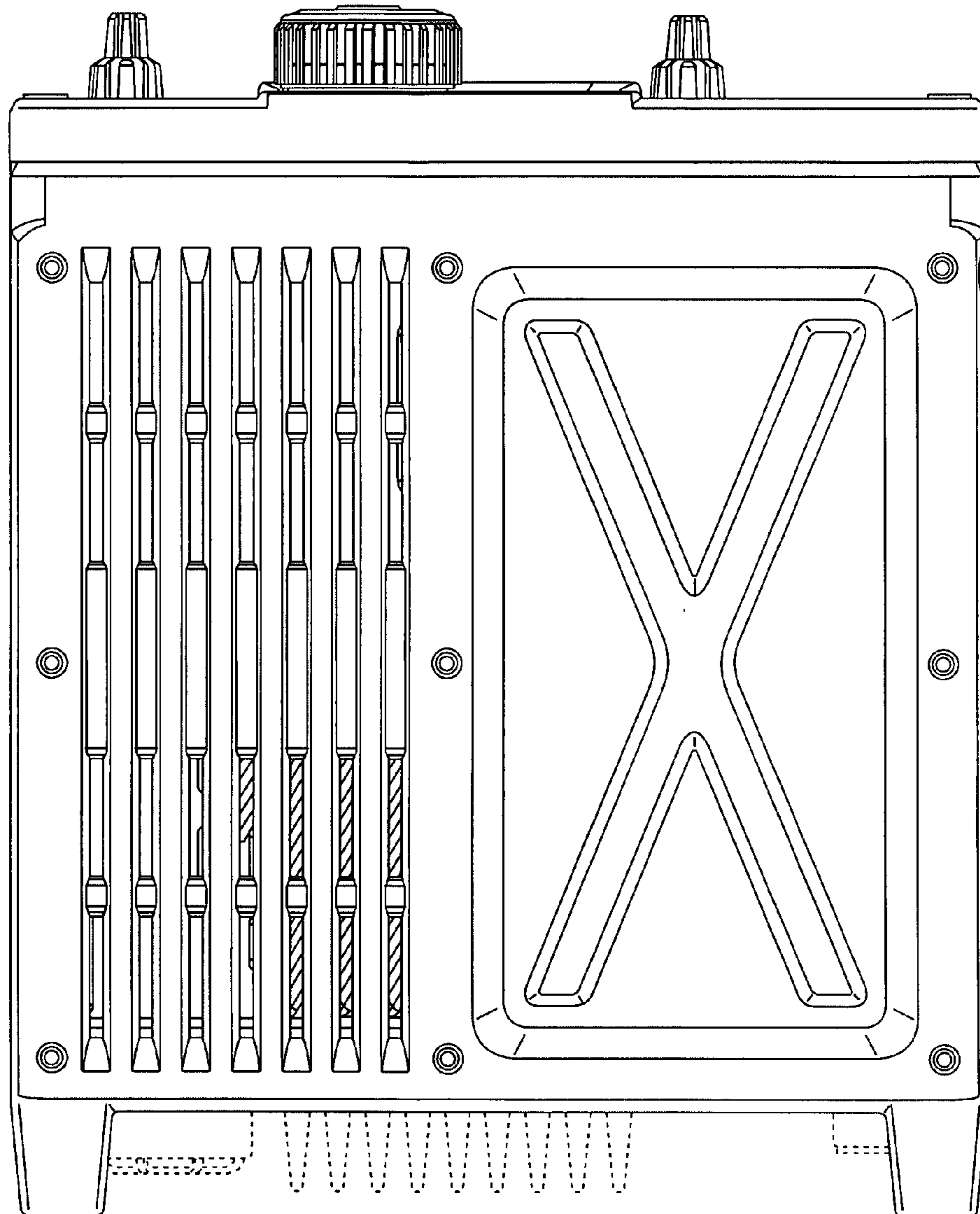


FIG. 7