



US00D608316S

(12) **United States Design Patent**
Quiros et al.

(10) **Patent No.:** **US D608,316 S**
(45) **Date of Patent:** **** Jan. 19, 2010**

(54) **TELEPHONE**

(75) Inventors: **Jose Quiros**, Colorado Springs, CO (US); **Hans Henrik Petersen**, Cambridge (GB); **Andrew Robert James Russell**, Bourn (GB); **Jamie Kevin Widdows**, Cottenham (GB)

(73) Assignee: **TeleMatrix, Inc.**, Colorado Springs, CO (US)

(**) Term: **14 Years**

(21) Appl. No.: **29/326,003**

(22) Filed: **Oct. 9, 2008**

(51) **LOC (9) Cl.** **14-03**

(52) **U.S. Cl.** **D14/130**

(58) **Field of Classification Search** D14/125-130, D14/140-142, 144, 146-151, 158-159, 171, D14/188, 225-226, 240, 243, 250-253, 329-330, D14/357, 434, 471, 496, 341, 375; 379/88.17, 379/90.01, 93.17, 387.01, 388.02, 419-420.04, 379/420.02, 428.01-428.04, 434-436, 440, 379/446-447, 454-455; 381/16, 71.1; D13/107-108; 191/12.2 R; 320/108, 110, 113-115; 455/411, 455/550.1-90.3; 348/14.01-14.06; D6/308; D10/65

See application file for complete search history.

(56) **References Cited**

U.S. PATENT DOCUMENTS

- D247,813 S 5/1978 Genaro et al.
- D266,762 S 11/1982 Gibson
- D267,178 S 12/1982 Mona
- D268,265 S 3/1983 Gibson
- D277,379 S 1/1985 Cooke et al.
- D277,574 S 2/1985 Lee
- D278,053 S 3/1985 Menn et al.
- D285,441 S 9/1986 Isaacs
- D286,285 S 10/1986 Danielson et al.
- D297,325 S 8/1988 Engstrom et al.
- D298,318 S 11/1988 Doi

- D302,274 S 7/1989 Fujita et al.
- D303,114 S 8/1989 Danielson et al.
- D303,115 S 8/1989 Hart et al.
- D303,665 S 9/1989 Ohta et al.
- D304,338 S 10/1989 Sermon

(Continued)

OTHER PUBLICATIONS

General Electric 27956FE1 PhotoPhone, <URL:http://www.101phones.com/details/0-5738/27956FE1-PhotoPhone.html>, retrieved from internet Aug. 27, 2009.*

Primary Examiner—Ian Simmons

Assistant Examiner—Carla Jobe Wright

(74) *Attorney, Agent, or Firm*—Fish & Richardson P.C.

(57) **CLAIM**

The ornamental design for a telephone, substantially as shown and described.

DESCRIPTION

FIG. 1 is a perspective view of a telephone.

FIG. 2 is a front view of the telephone of FIG. 1.

FIG. 3 is a rear view of the telephone of FIG. 1.

FIG. 4 is a right side view of the telephone of FIG. 1.

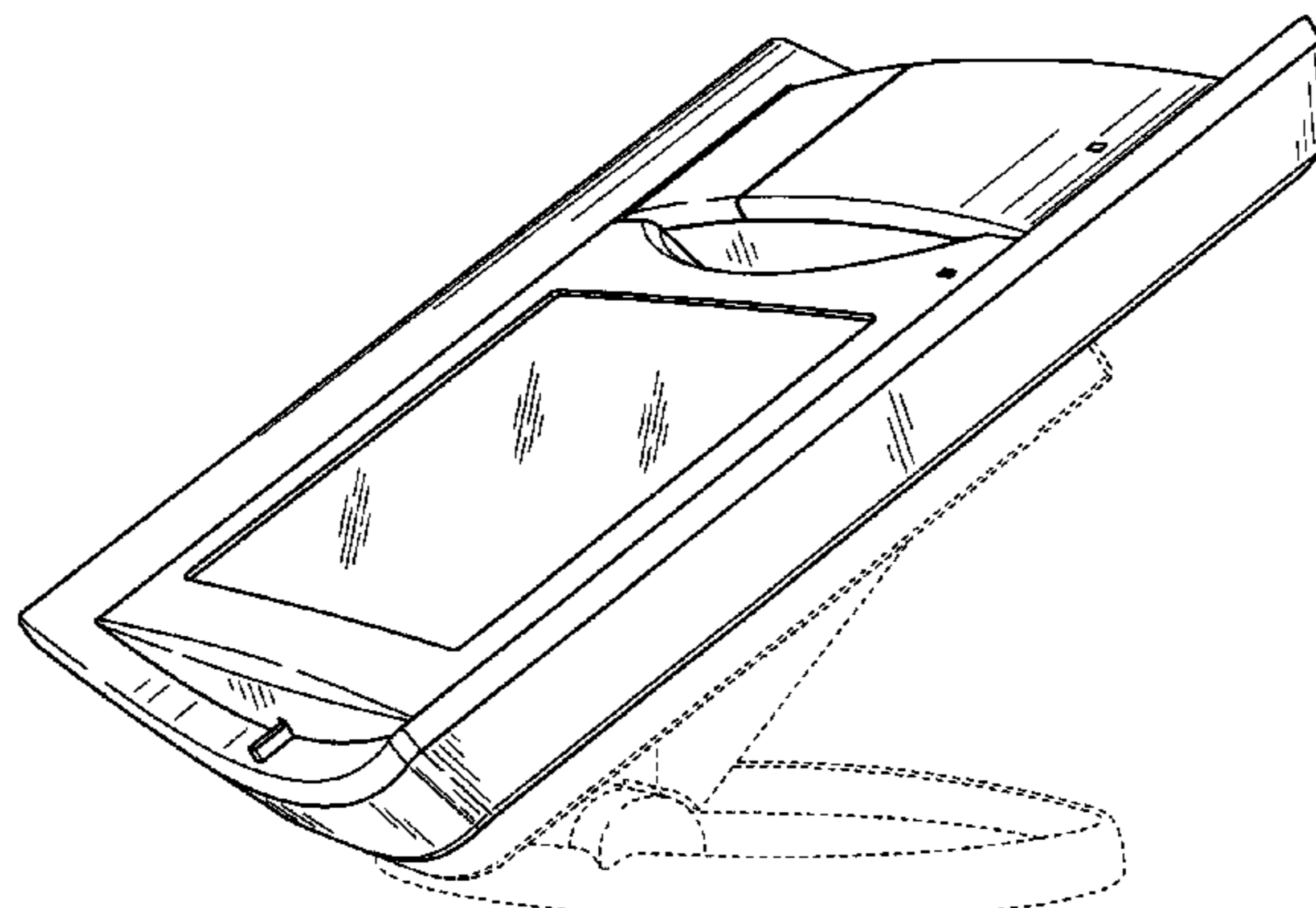
FIG. 5 is a left side view of the telephone of FIG. 1.

FIG. 6 is a top view of the telephone of FIG. 1; and,

FIG. 7 is a bottom view of the telephone of FIG. 1.

The broken line showing of the telephone support structure is for illustrative purposes only and forms no part of the claimed design.

1 Claim, 4 Drawing Sheets



US D608,316 S

Page 2

U.S. PATENT DOCUMENTS

D304,726 S	11/1989	Brooks et al.	
D306,295 S	2/1990	Nagele	
D306,587 S	3/1990	Ando	
D306,726 S	3/1990	Takatsuka et al.	
D307,426 S	4/1990	Ohta et al.	
D307,430 S	4/1990	Desbarats	
D308,059 S	5/1990	Desbarats	
D312,458 S	11/1990	Suzuki	
D316,857 S	5/1991	Park	
D318,051 S	7/1991	Danielson et al.	
D318,660 S	7/1991	Weber	
D323,657 S *	2/1992	Danielson et al.	D14/151
D325,585 S	4/1992	Gordon	
5,113,435 A *	5/1992	Chen	379/441
D326,850 S	6/1992	Joffe et al.	
D331,063 S	11/1992	Pasierb	
5,170,427 A *	12/1992	Guichard et al.	348/14.05
D332,610 S	1/1993	Alim et al.	
D339,342 S *	9/1993	Chan	D14/149
D345,974 S	4/1994	Biskup et al.	
D353,581 S	12/1994	Nakajima	
D354,954 S *	1/1995	Naito et al.	D14/130
D371,345 S	7/1996	Martino et al.	
D371,346 S	7/1996	Martino et al.	
D372,717 S	8/1996	Jarrett et al.	
D375,092 S *	10/1996	Hilsenrath et al.	D14/142
D390,226 S	2/1998	Mak et al.	
D393,858 S	4/1998	Backs et al.	
D394,245 S	5/1998	Brodbeck	
D408,375 S *	4/1999	Oba	D14/329
D408,817 S	4/1999	Ishibashi	
D411,987 S *	7/1999	Mizusugi et al.	D14/329
D413,332 S	8/1999	Delhaes	
D420,009 S	2/2000	Dunn et al.	
D421,603 S *	3/2000	Meurer	D14/130
D457,870 S	5/2002	Toyoshima et al.	
D463,389 S *	9/2002	Stafford-Fraser	D14/151
D479,517 S *	9/2003	Weidinger	D14/151
D500,482 S	1/2005	Shibata et al.	
D558,727 S	1/2008	Daly et al.	
D565,020 S	3/2008	Daly et al.	
D585,397 S *	1/2009	Hwang	D14/130
D591,276 S *	4/2009	Takada	D14/240

* cited by examiner

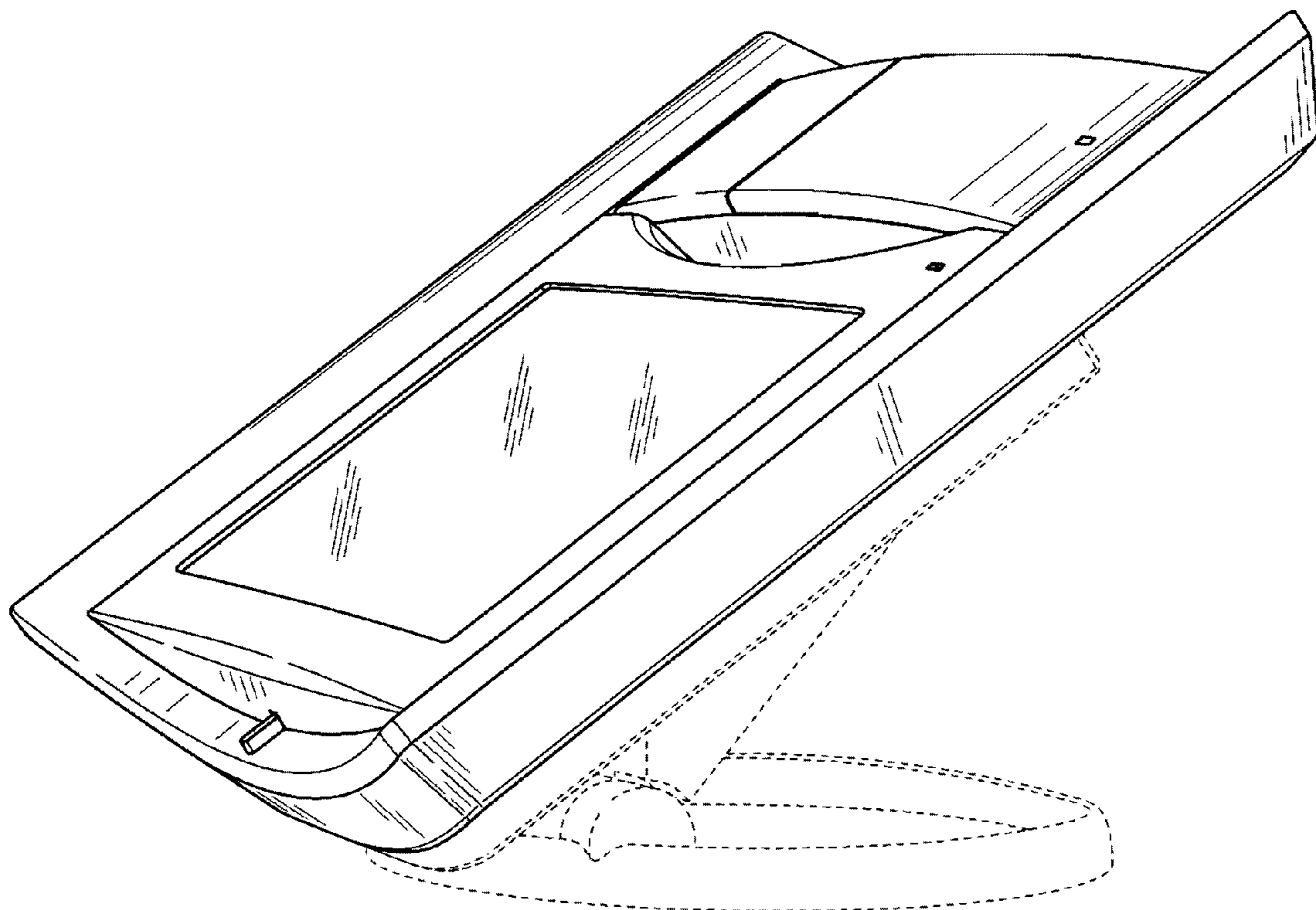


FIG. 1

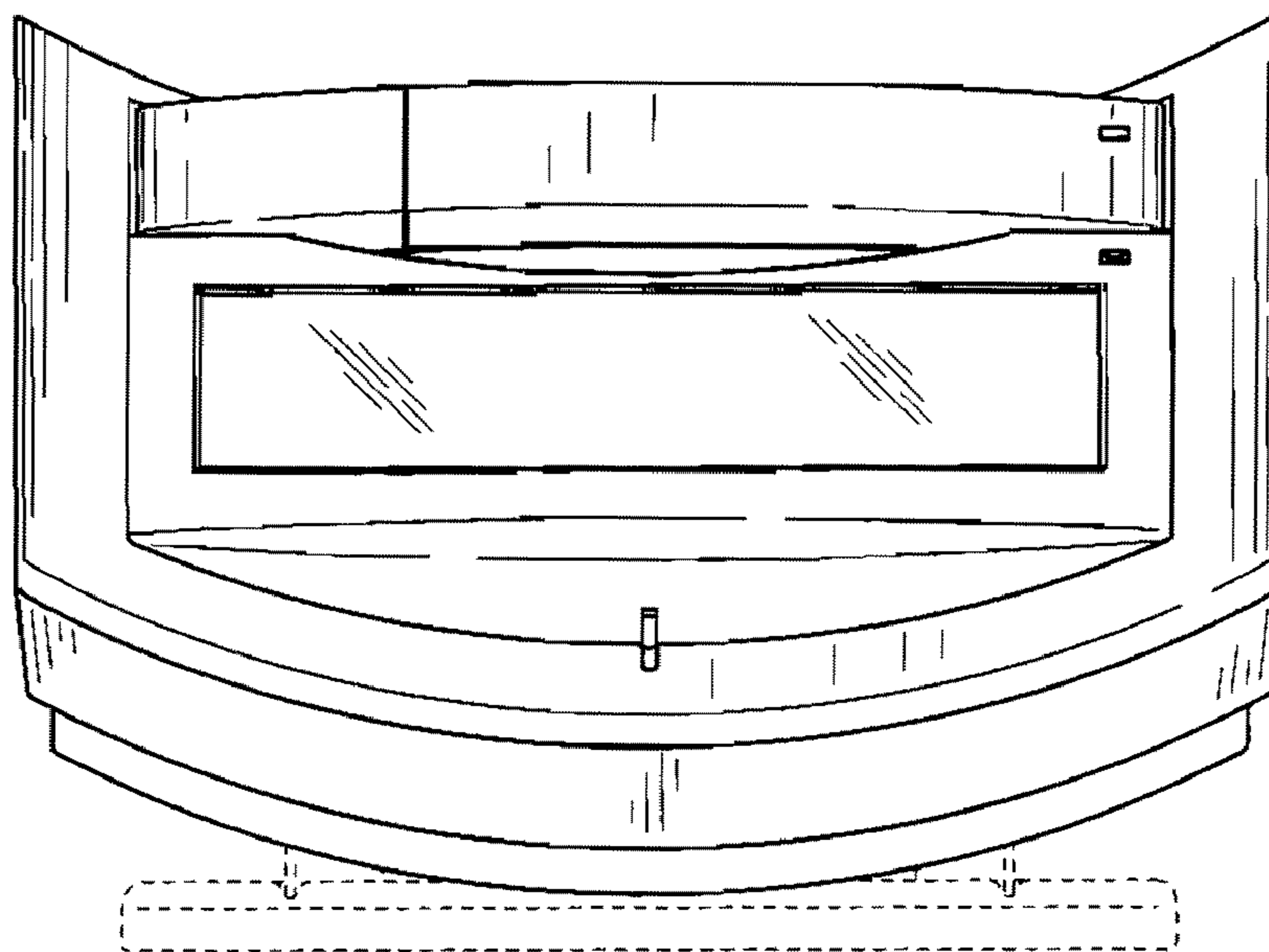


FIG. 2

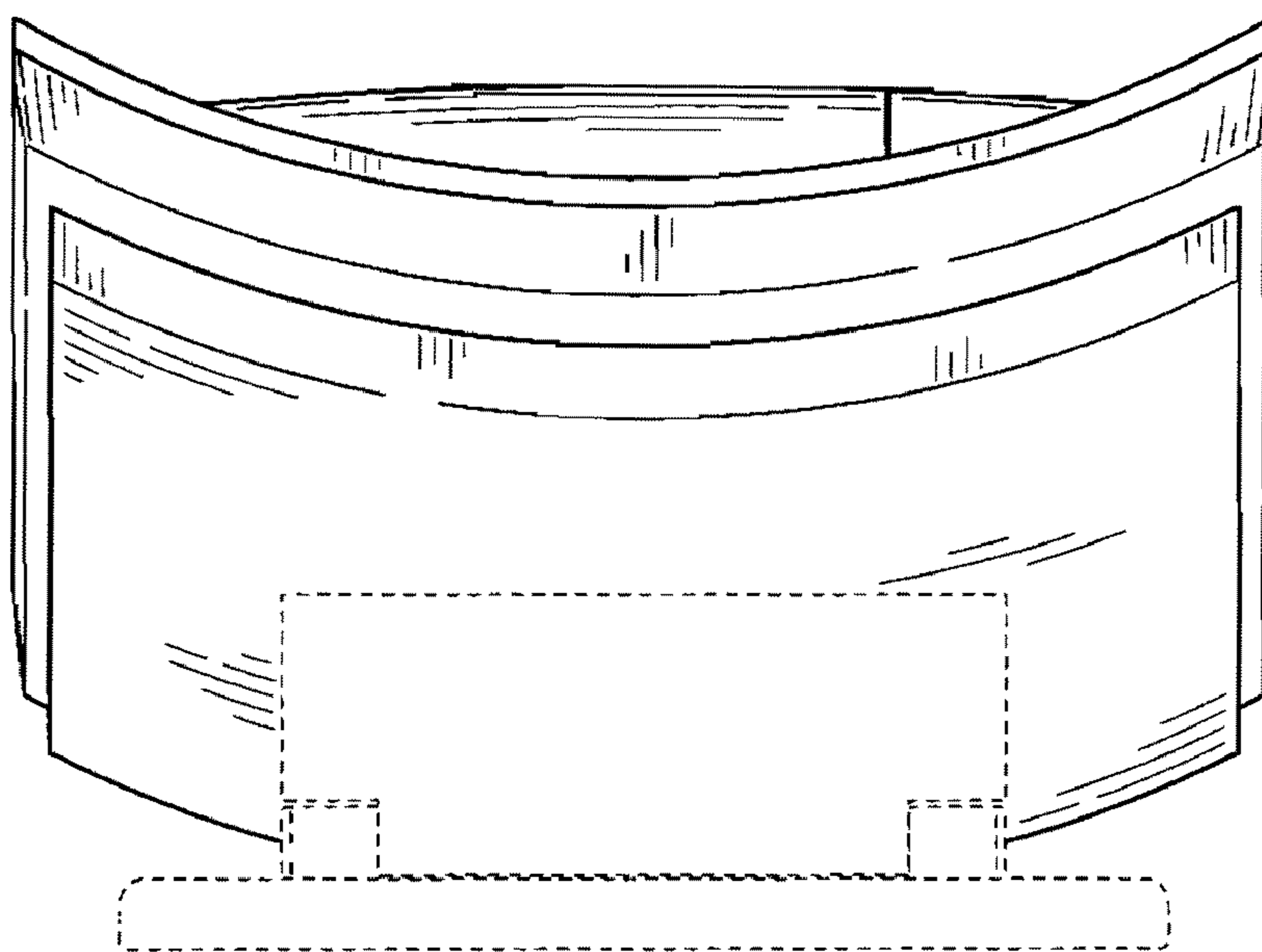


FIG. 3

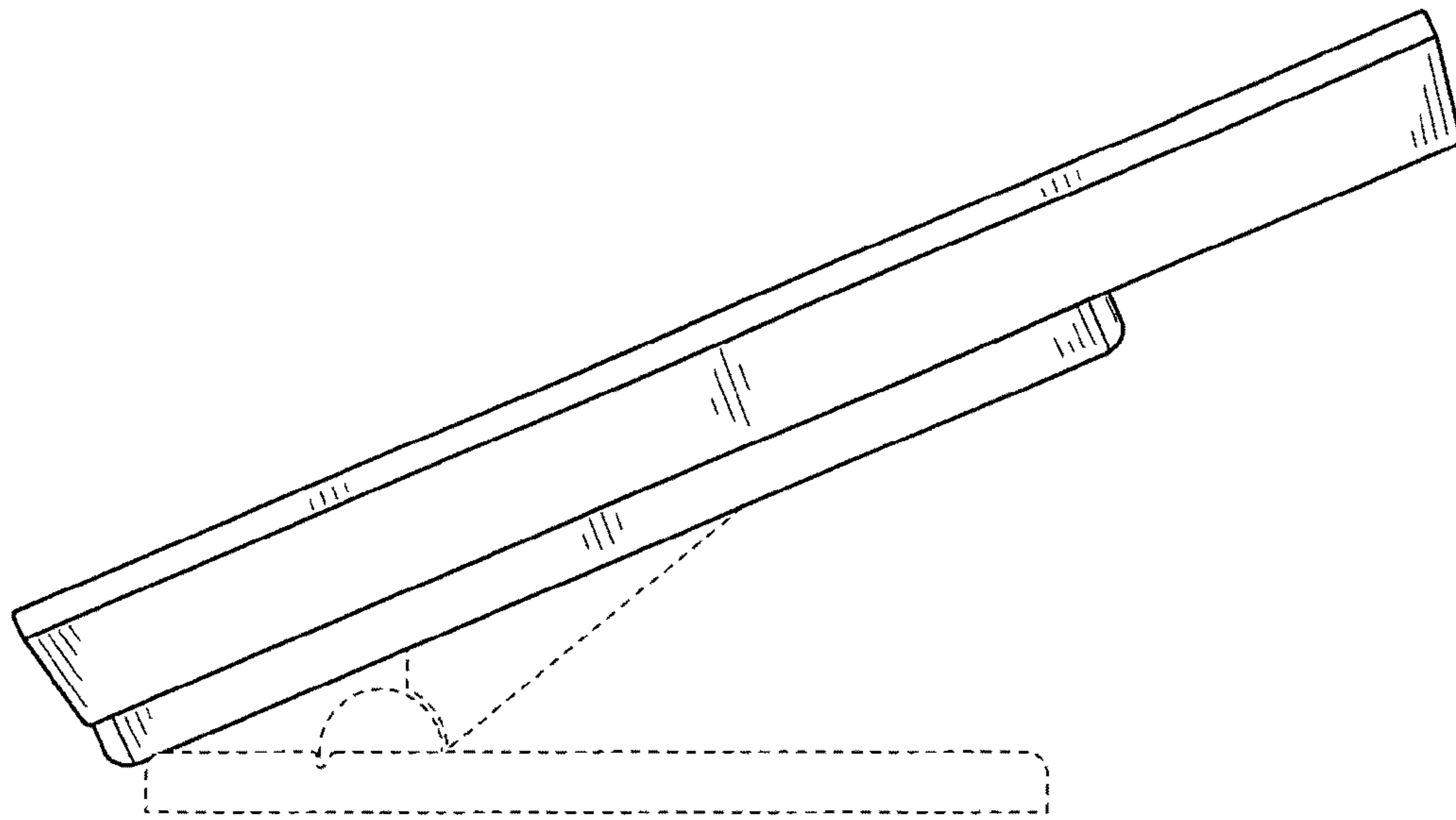


FIG. 4

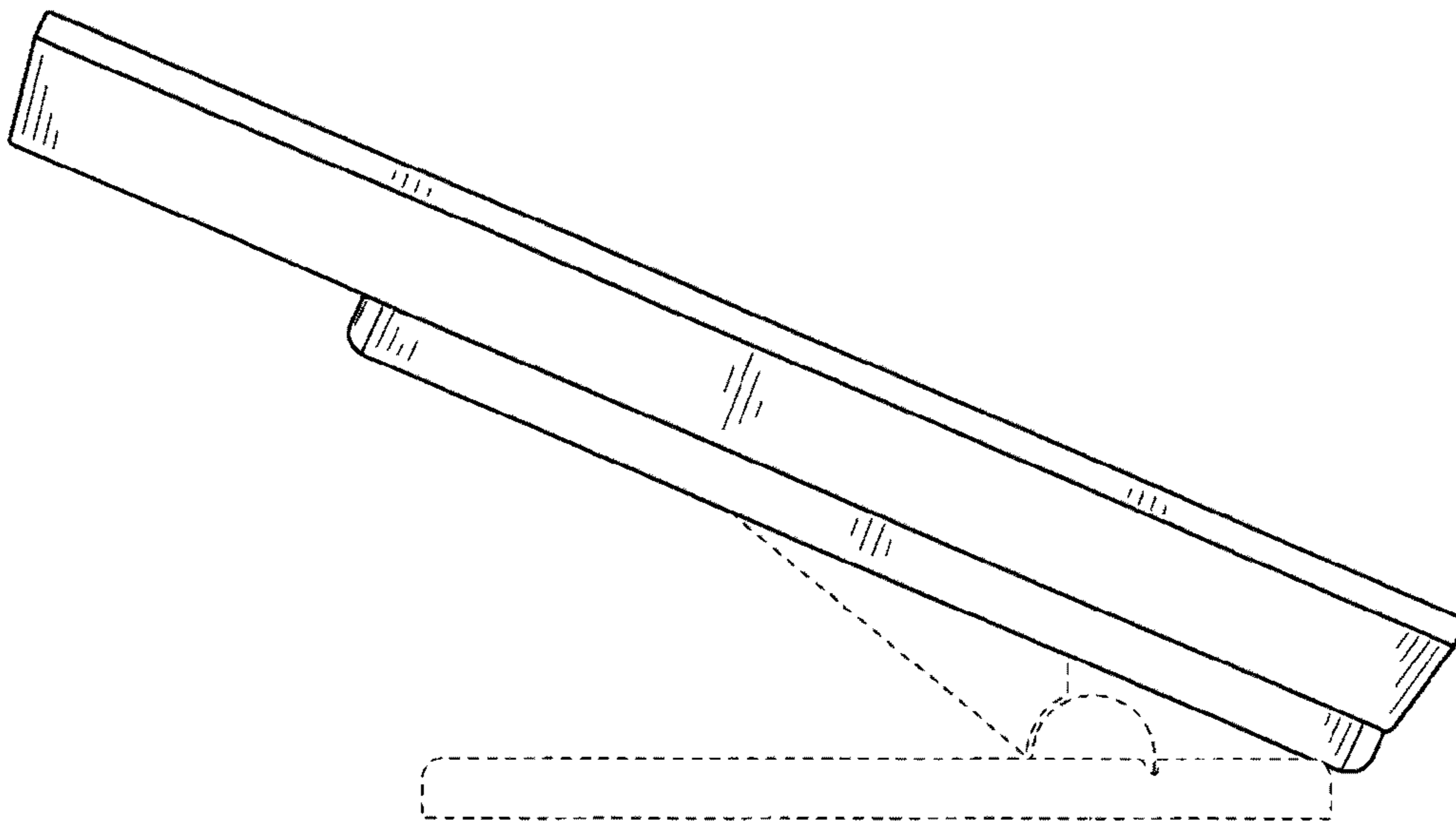


FIG. 5

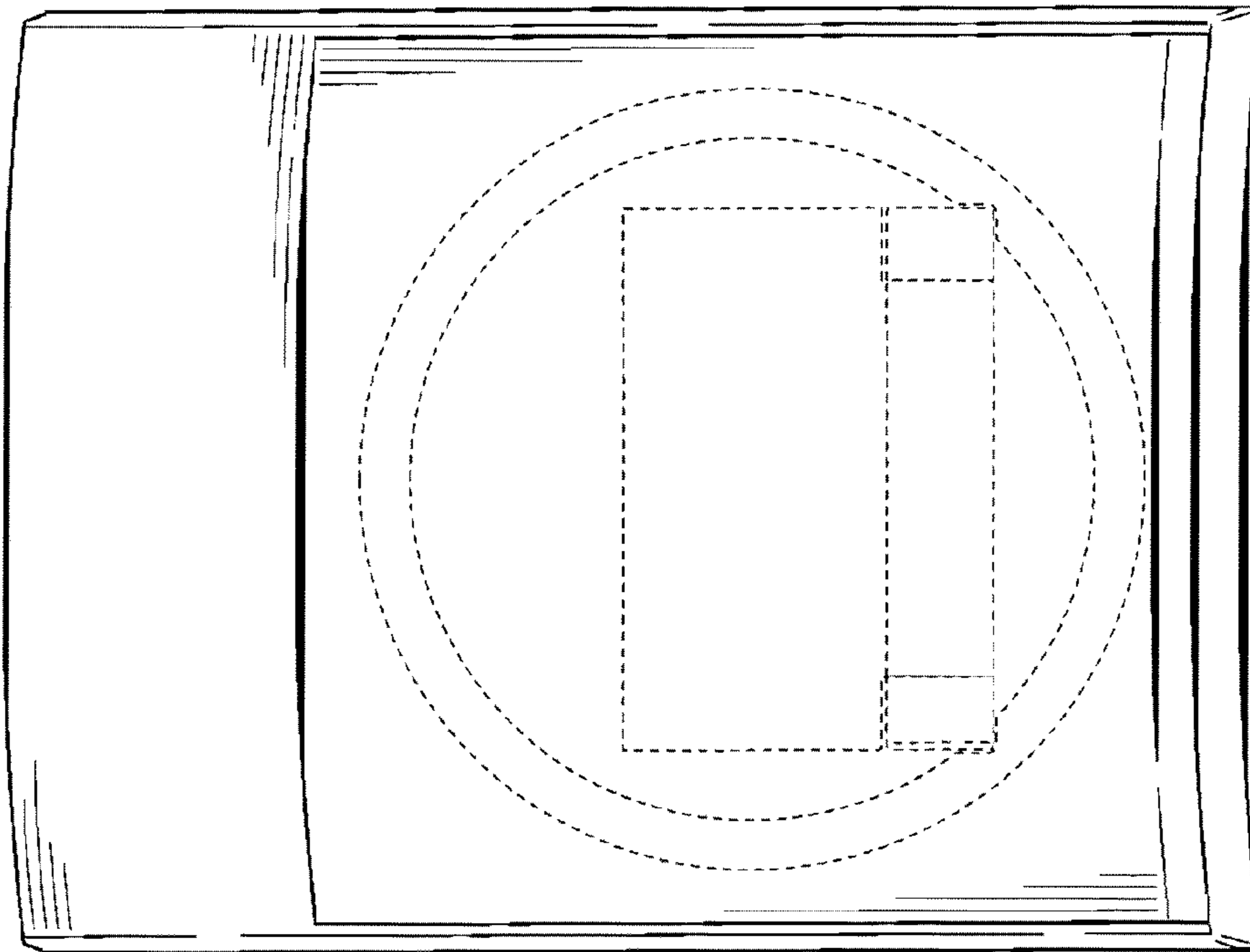


FIG. 7

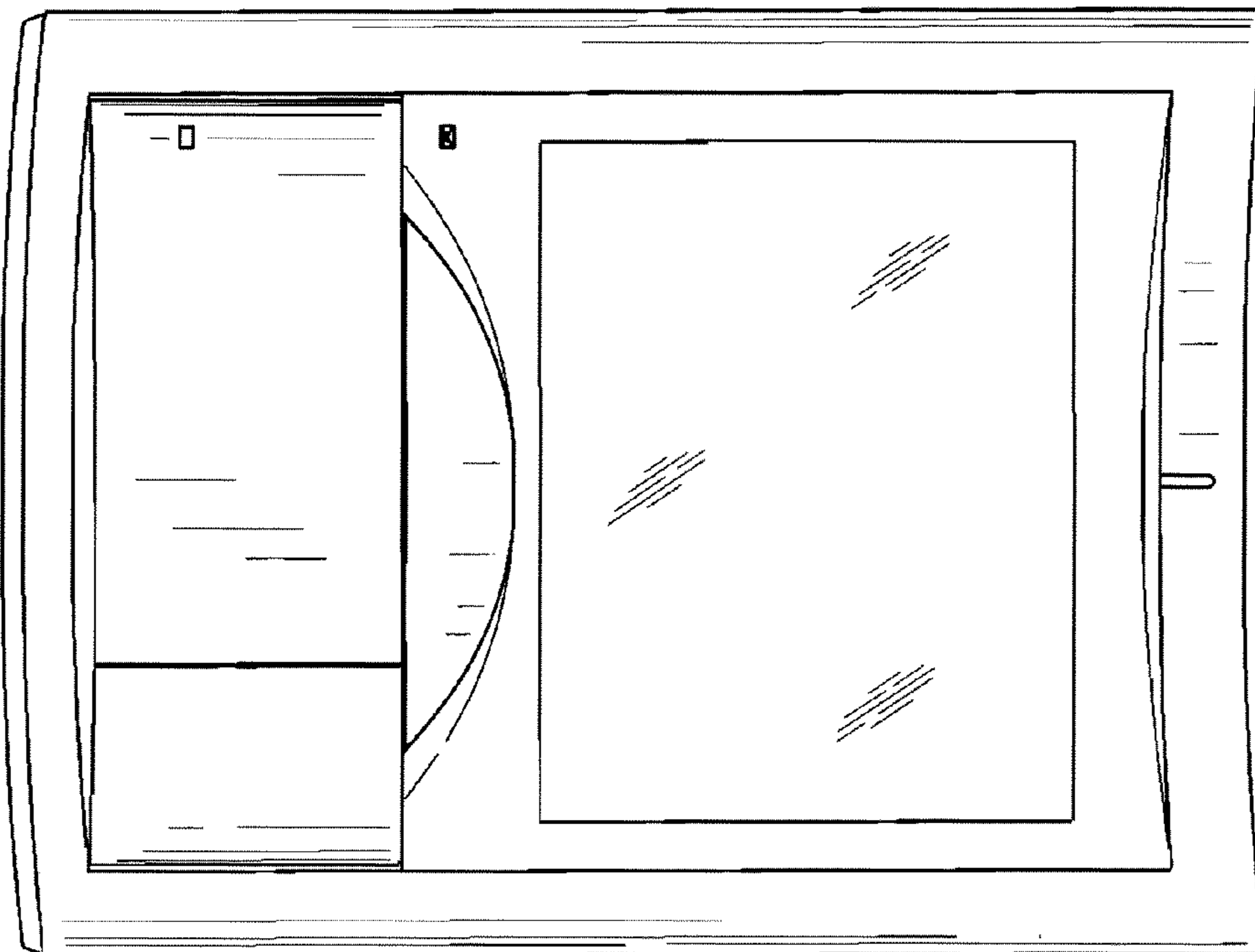


FIG. 6