



US00D608315S

(12) **United States Design Patent**
Mitsubishi

(10) **Patent No.:** **US D608,315 S**
(45) **Date of Patent:** **** Jan. 19, 2010**

(54) **DISPLAY**

(75) Inventor: **Renichi Mitsuhashi**, Minato-ku (JP)

(73) Assignee: **NEC Display Solutions, Ltd.**, Tokyo (JP)

(**) Term: **14 Years**

(21) Appl. No.: **29/339,120**

(22) Filed: **Jun. 24, 2009**

(30) **Foreign Application Priority Data**

Dec. 26, 2008 (JP) 2008-033303

(51) **LOC (9) Cl.** **14-03**

(52) **U.S. Cl.** **D14/126; D14/134**

(58) **Field of Classification Search** D14/125-134,
D14/239, 371, 136, 374-377, 440, 450, 448,
D14/336, 342; 312/7.2; 348/836, 838, 180,
348/184, 325, 739; 341/12; 248/917-924,
248/465; 345/104, 133, 156, 168, 87, 173;
720/605, 669, 600, 655; 369/99, 197; 455/344,
455/347; D21/329, 515, 577, 622, 333, 433,
D21/448, 452, 450, 331; D6/477, 479, 300;
273/148 B; 446/484, 175, 356; D10/15,
D10/26

See application file for complete search history.

(56) **References Cited**

U.S. PATENT DOCUMENTS

D474,452 S * 5/2003 Kanatani D14/126

D496,010 S * 9/2004 Honda D14/128
D538,765 S * 3/2007 Park et al. D14/128
D540,275 S * 4/2007 Lewis D14/126
D550,173 S * 9/2007 Wang et al. D14/126
D584,281 S * 1/2009 Kim et al. D14/188

* cited by examiner

Primary Examiner—Raphael Barkai
(74) *Attorney, Agent, or Firm*—Sughrue Mion, PLLC

(57) **CLAIM**

The ornamental design for a display, as shown and described.

DESCRIPTION

FIG. 1 is a front, left side, top perspective view of a display showing my new design;

FIG. 2 is a front elevational view thereof;

FIG. 3 is a rear elevational view thereof;

FIG. 4 is a left side view thereof;

FIG. 5 is a right side view thereof;

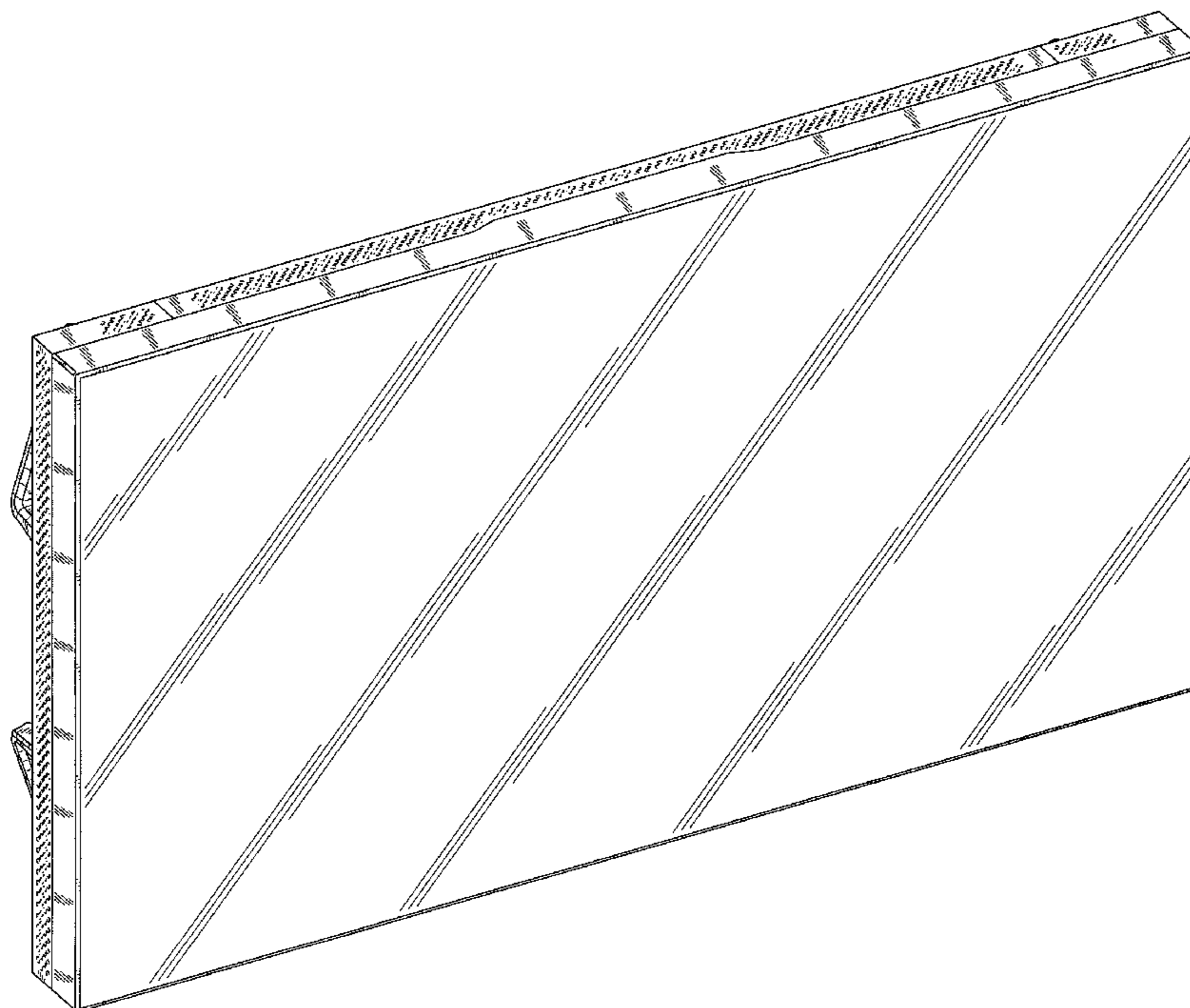
FIG. 6 is a top plan view thereof;

FIG. 7 is a bottom plan view thereof; and,

FIG. 8 is a rear, right side, top perspective view thereof.

The portions of the display in broken lines are shown for illustrative purposes only and form no part of the claimed design.

1 Claim, 7 Drawing Sheets



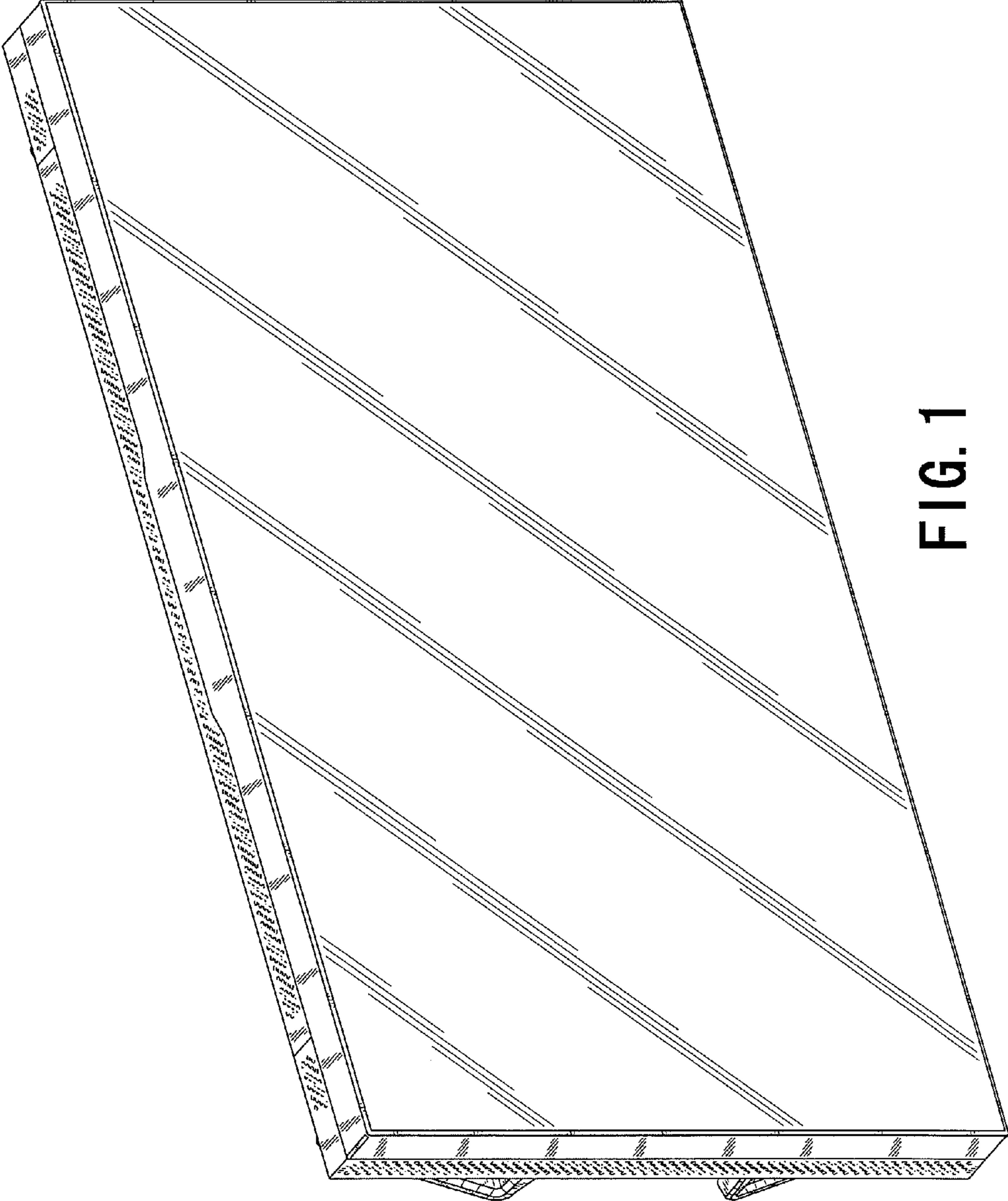


FIG. 1

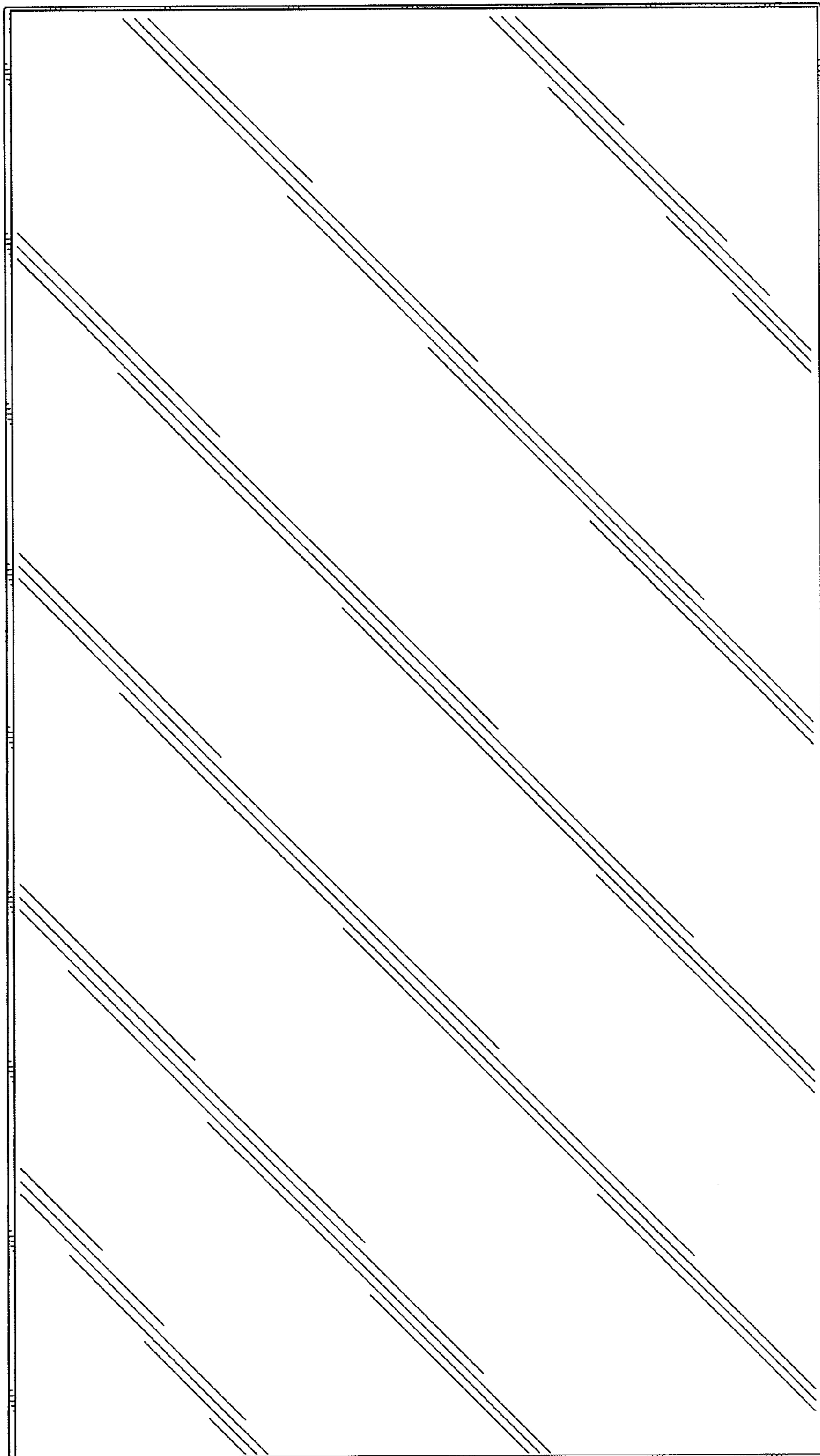


FIG. 2

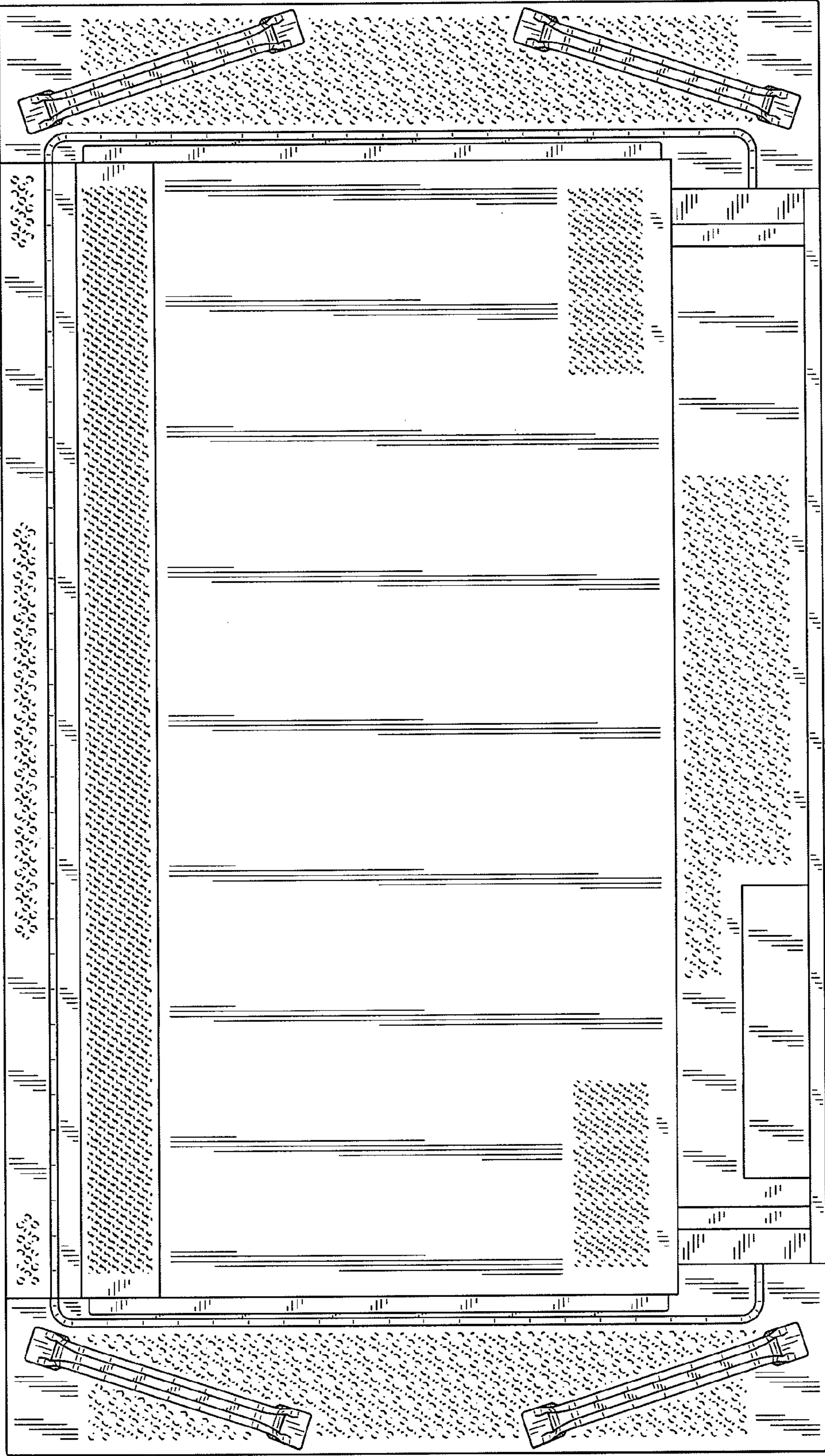


FIG. 3

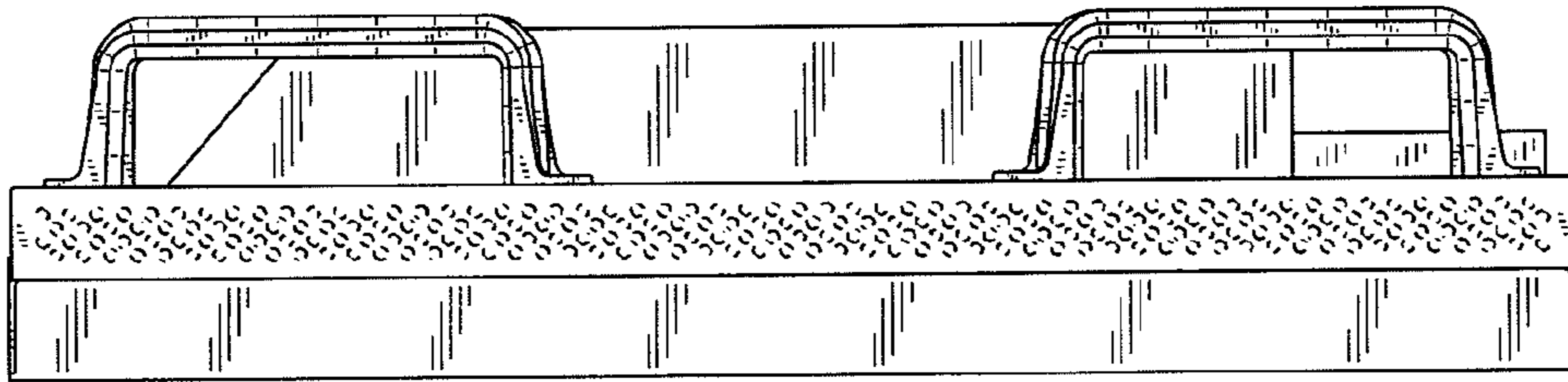


FIG. 5

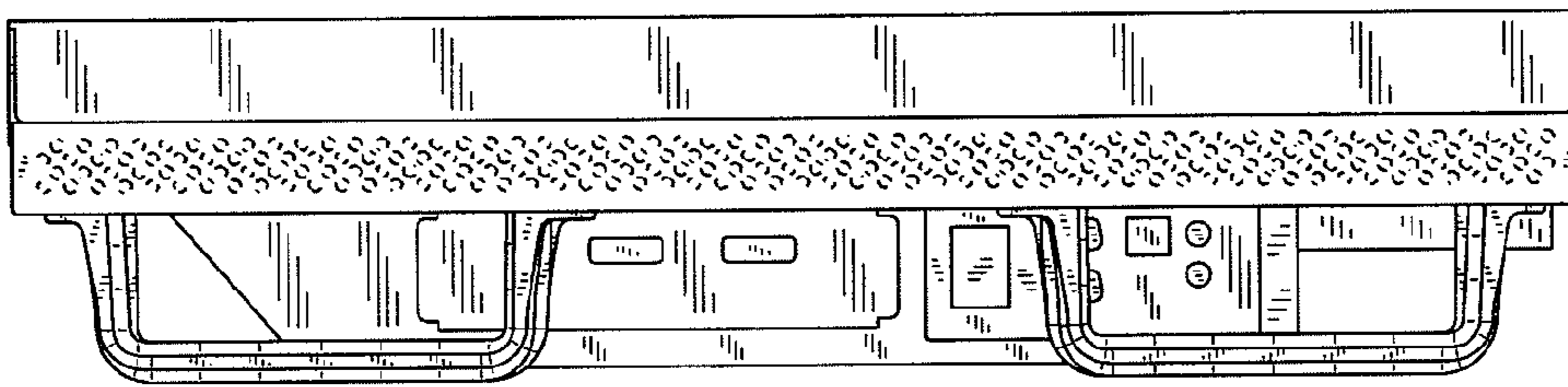


FIG. 4

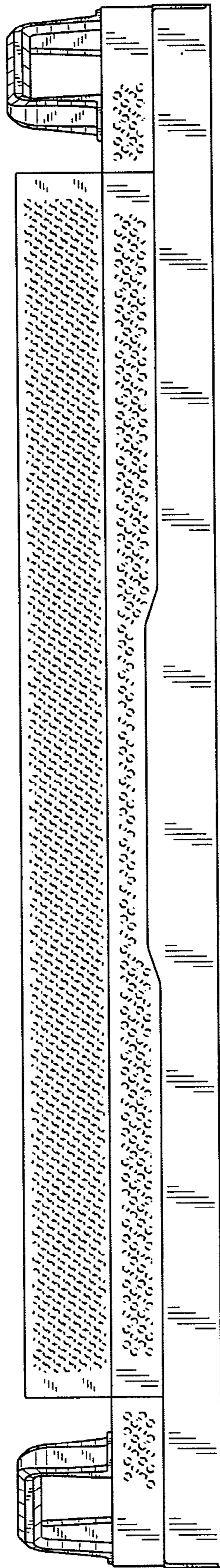


FIG. 6

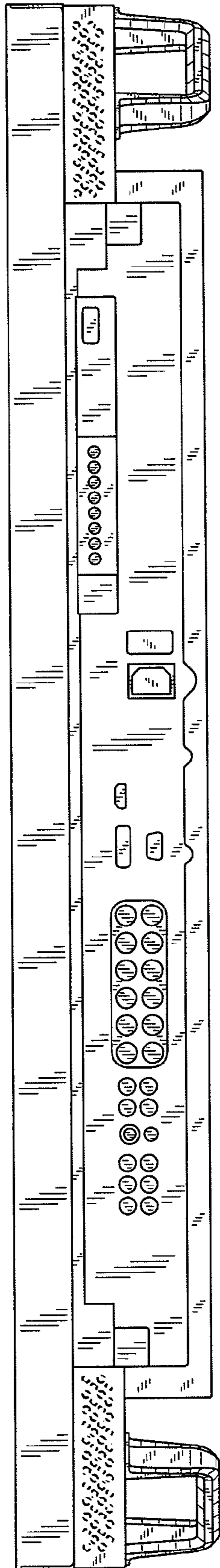


FIG. 7

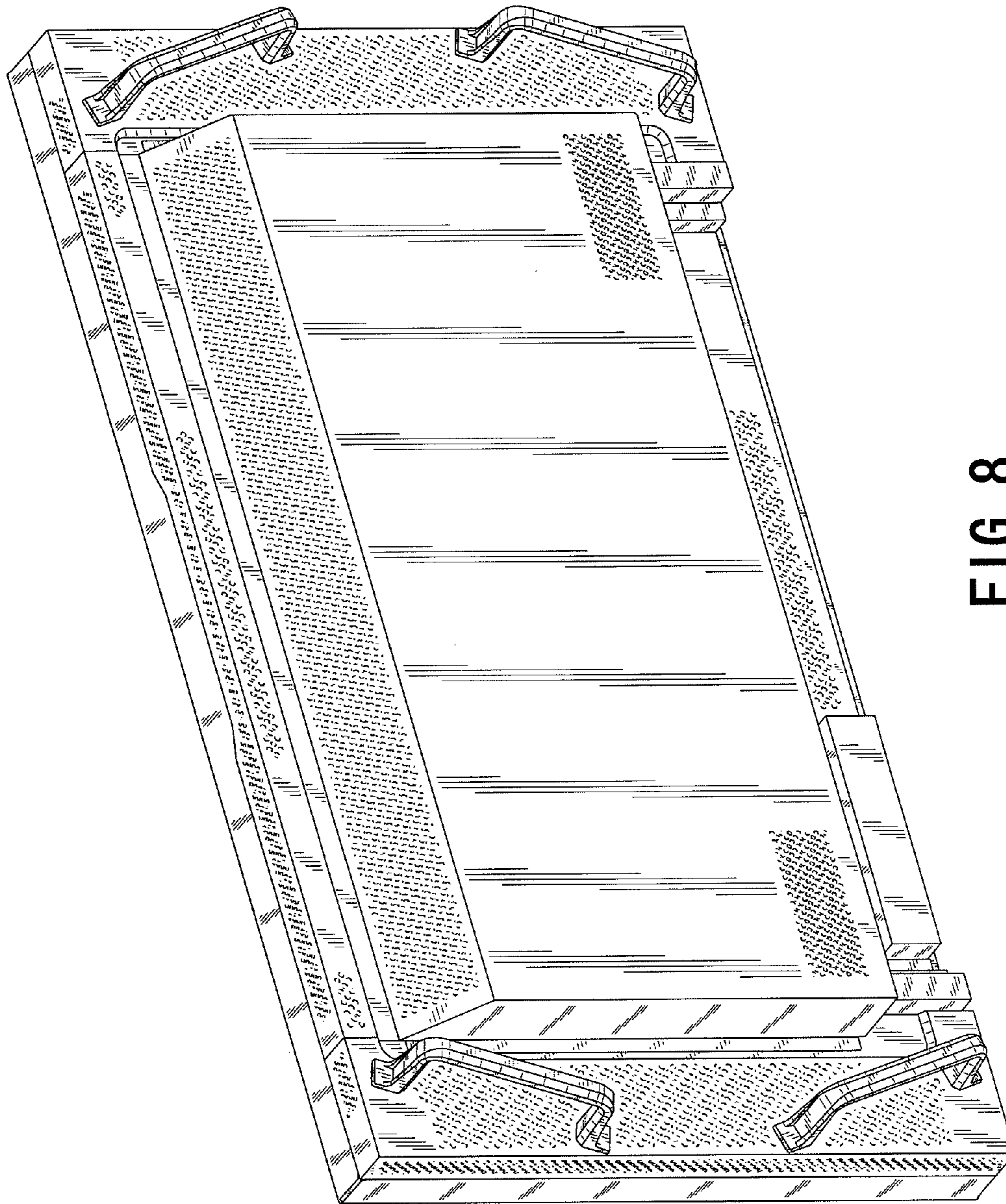


FIG. 8