



US00D608305S

(12) **United States Design Patent**
Alexanderson

(10) **Patent No.:** **US D608,305 S**

(45) **Date of Patent:** **** Jan. 19, 2010**

(54) **REMOTE CONTROLLER**

(75) **Inventor:** **Martin Alexanderson, Stockholm (SE)**

(73) **Assignee:** **Aktiebolaget Electrolux, Stockholm (SE)**

(**) **Term:** **14 Years**

(21) **Appl. No.:** **29/332,915**

(22) **Filed:** **Feb. 27, 2009**

(51) **LOC (9) Cl.** **14-03**

(52) **U.S. Cl.** **D13/168**

(58) **Field of Classification Search** D13/168;
D10/104, 106; D14/218, 247; 340/825.22,
340/825.24, 825.25, 825.31, 825.36, 825.69,
340/825.72; 341/76; 455/352

See application file for complete search history.

(56) **References Cited**

U.S. PATENT DOCUMENTS

4,855,746	A *	8/1989	Stacy	341/176
D308,380	S *	6/1990	Shim	D14/218
D451,891	S *	12/2001	Noonan et al.	D13/168
D561,702	S *	2/2008	Ohta	D13/168
D573,548	S *	7/2008	Chouji et al.	D13/168

OTHER PUBLICATIONS

OXY3 Heatpump; Brochure and Supplemental Picture; Electrolux, 9 total sheets; Exact date unknown but prior to filing of this application.

* cited by examiner

Primary Examiner—Selina Sikder

(74) *Attorney, Agent, or Firm*—Banner & Witcoff, Ltd.

(57) **CLAIM**

The ornamental design for a remote controller, as shown and described.

DESCRIPTION

FIG. 1 is a front perspective view of a remote controller showing my new design;

FIG. 2 is a front view thereof;

FIG. 3 is a bottom view thereof;

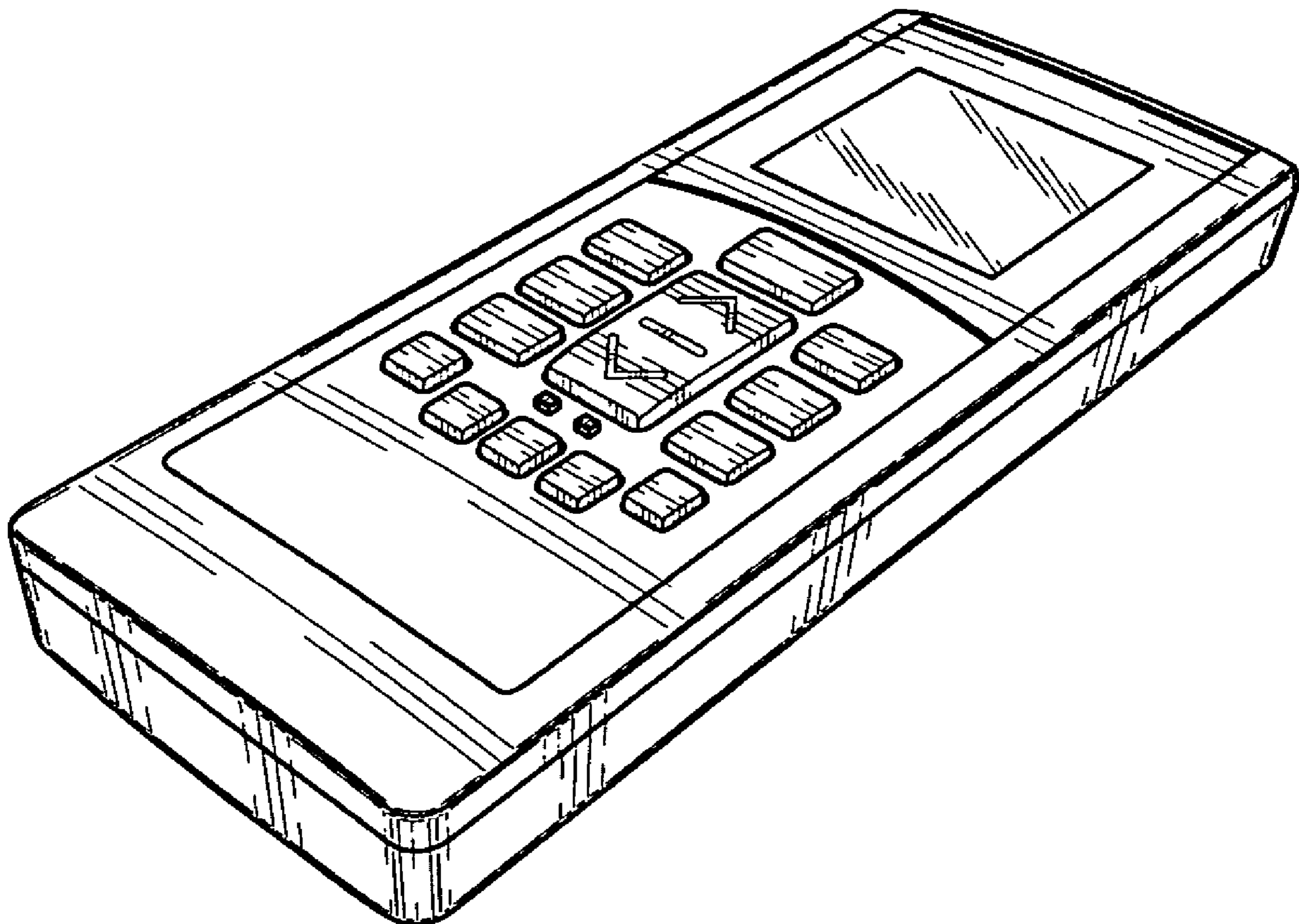
FIG. 4 is a top view thereof;

FIG. 5 is a right side view thereof; and,

FIG. 6 is a left side view thereof.

The unshown rear face of the remote controller forms not part of the claimed design.

1 Claim, 4 Drawing Sheets



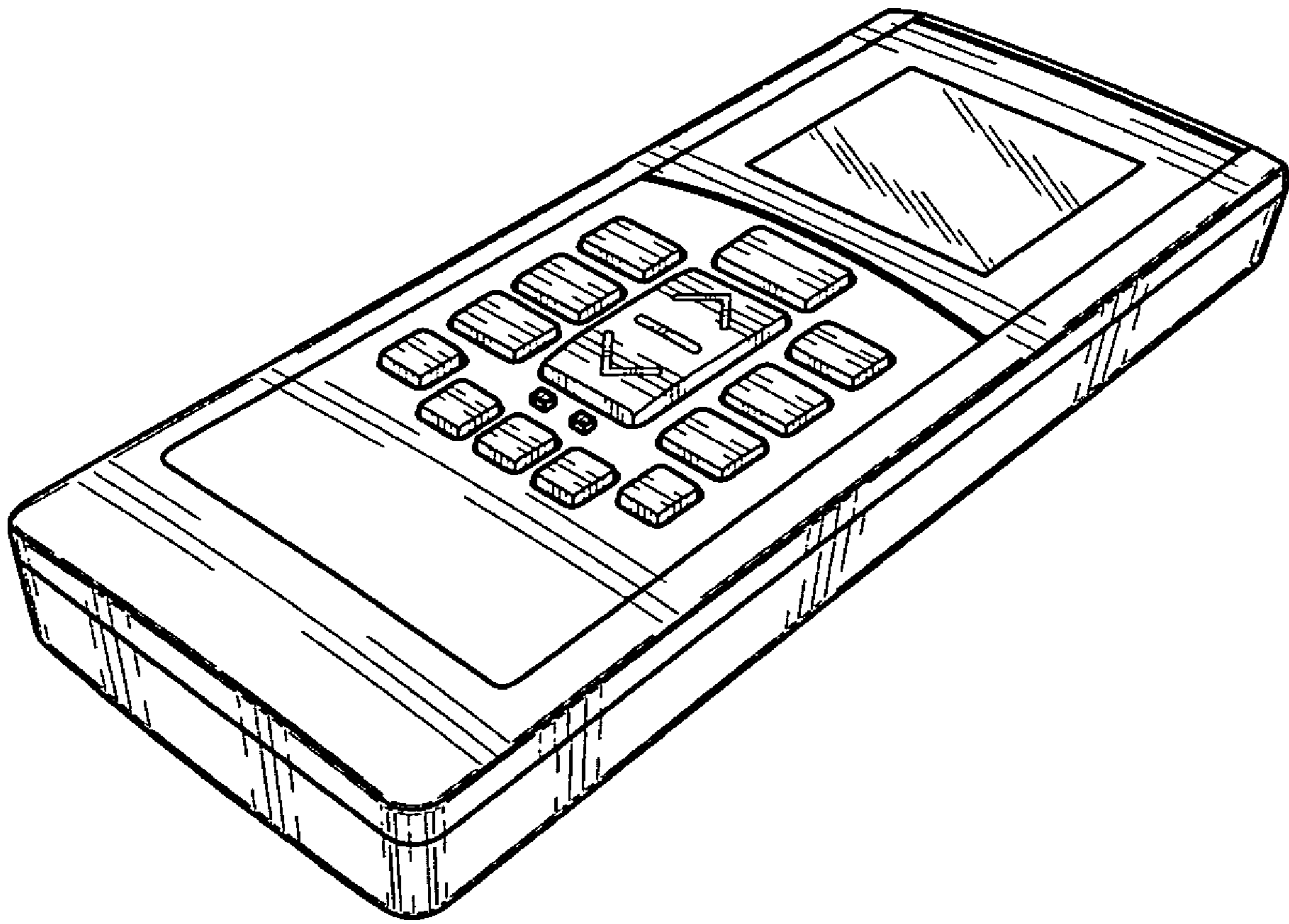


FIG. 1

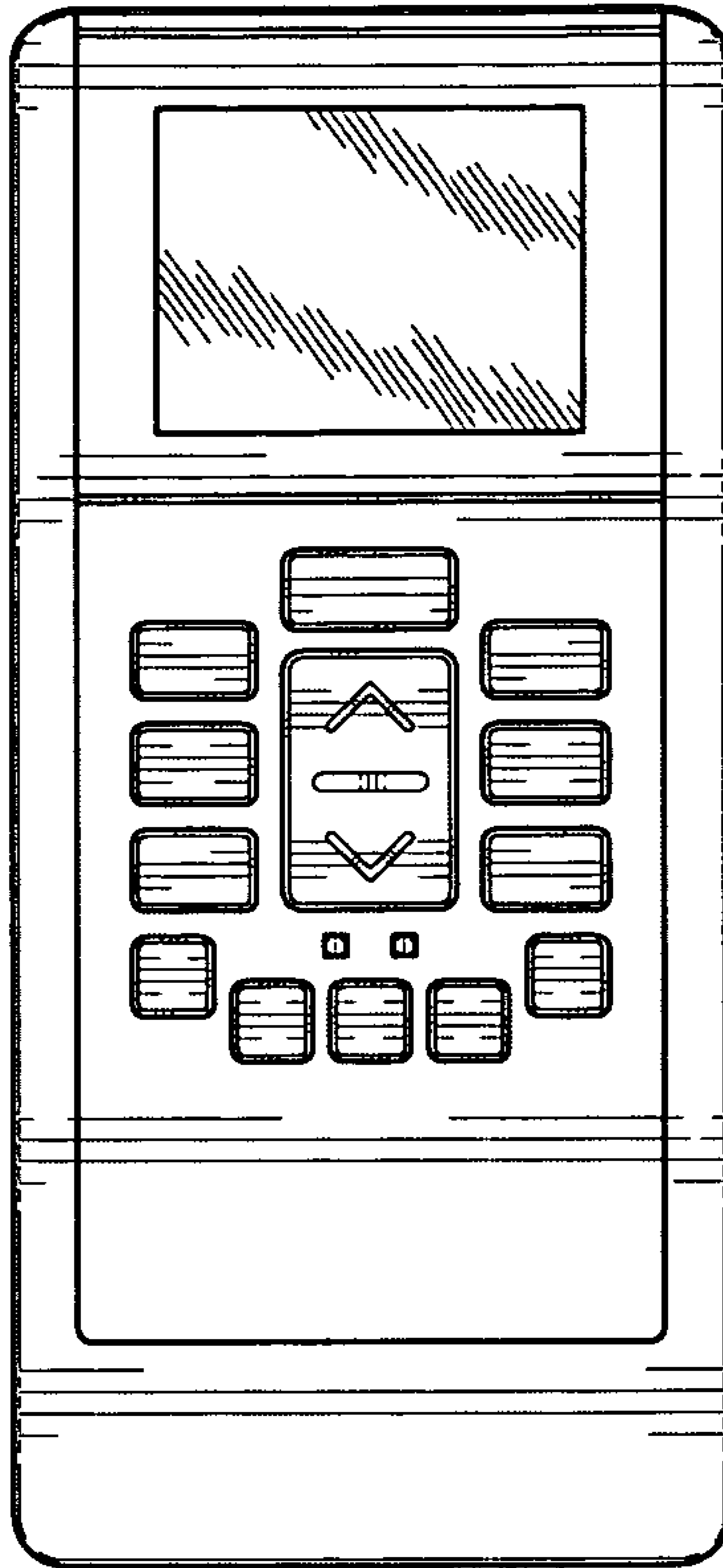


FIG. 2

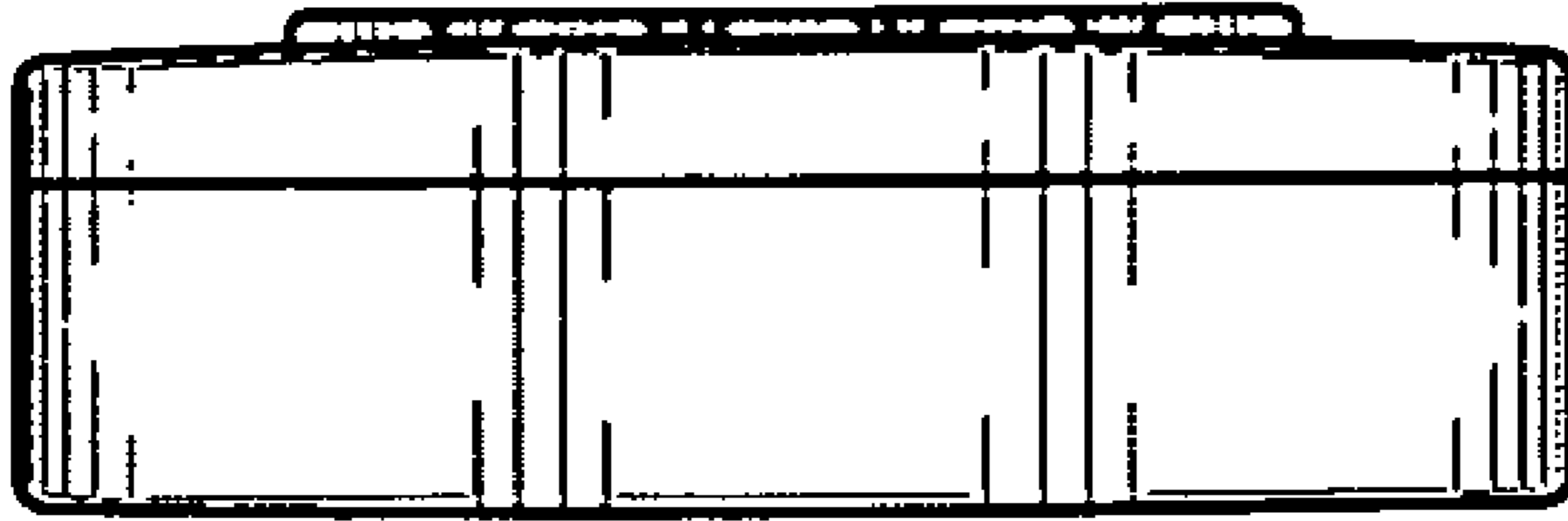


FIG. 3

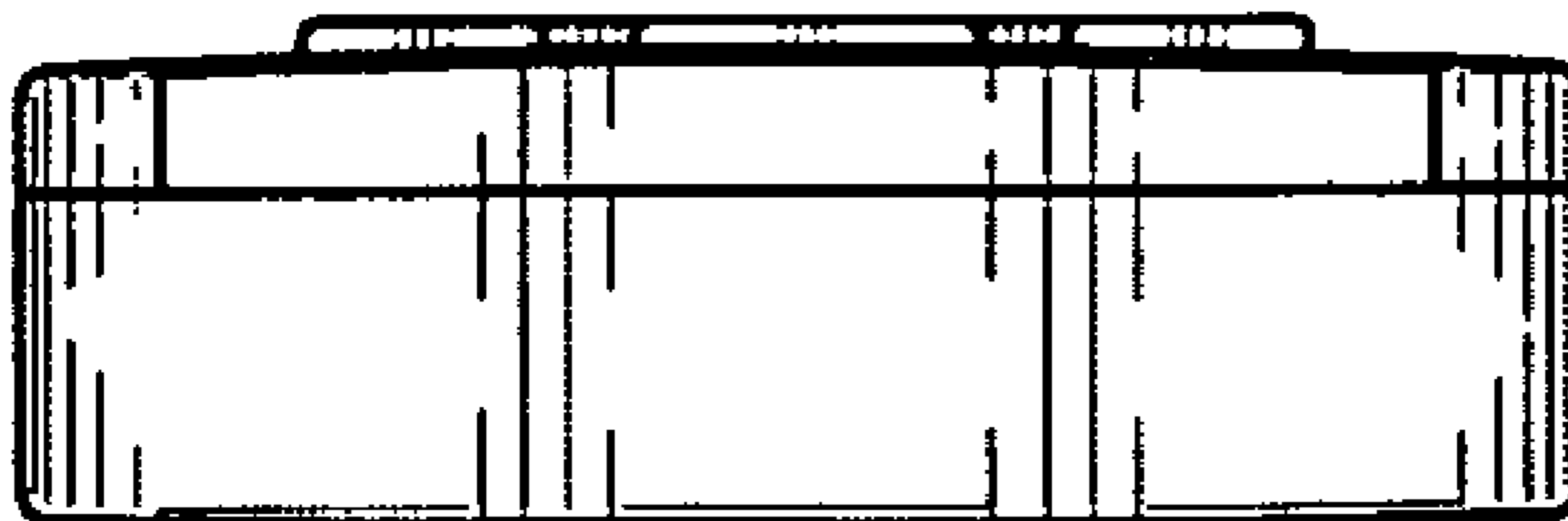


FIG. 4

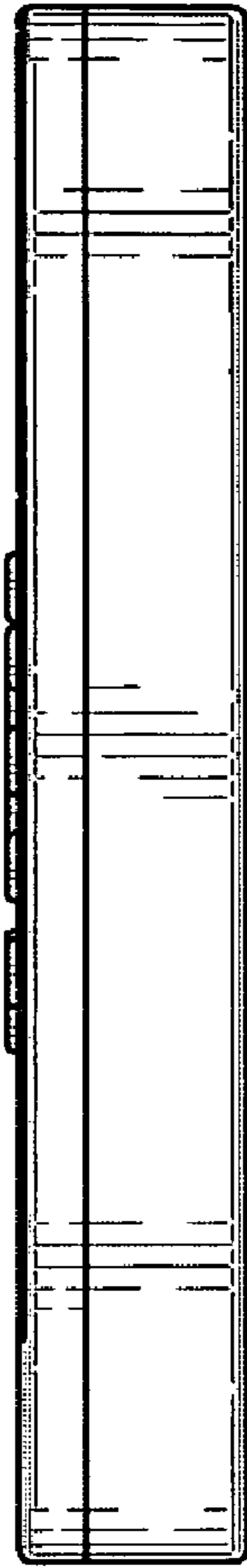


FIG. 5

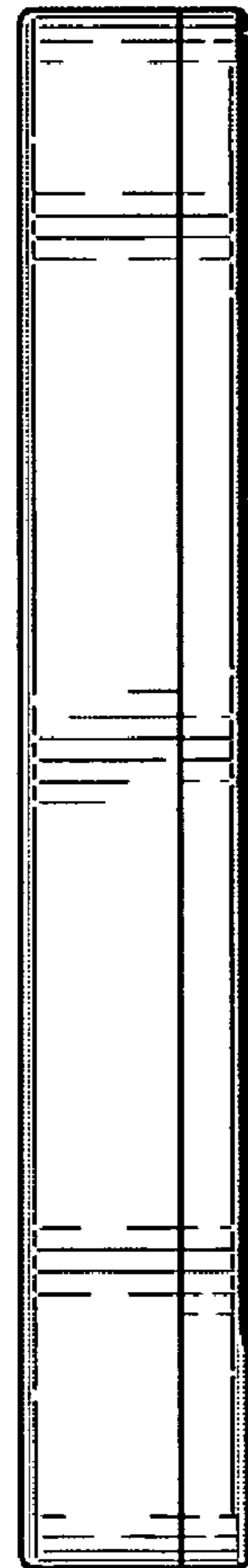


FIG. 6