



US00D608301S

(12) **United States Design Patent**
Clark et al.

(10) **Patent No.:** **US D608,301 S**
(45) **Date of Patent:** **** Jan. 19, 2010**

(54) **IRRIGATION CONTROLLER CONTROL PANEL**

(75) Inventors: **Donald B. Clark**, Carlsbad, CA (US);
Roger S. Neitzel, Escondido, CA (US);
Robert Jenkins, San Diego, CA (US);
Charles Curbbun, Leucadia, CA (US);
Andrew Zoolakis, Carlsbad, CA (US);
Bill Leach, Oakdale, CA (US)

(73) Assignee: **Rain Bird Corporation**, Azusa, CA (US)

(**) Term: **14 Years**

(21) Appl. No.: **29/337,331**

(22) Filed: **May 19, 2009**

(51) **LOC (9) Cl.** **13-03**
(52) **U.S. Cl.** **D13/162**
(58) **Field of Classification Search** D13/162,
D13/162.1, 184, 199; 239/63, 69, 70; 700/11,
700/14-20; D10/40; 137/1, 377, 565.22,
137/59, 624.11, 78.3; 174/657; 210/143,
210/205

See application file for complete search history.

(56) **References Cited**

U.S. PATENT DOCUMENTS

5,479,338	A	12/1995	Ericksen et al.	
5,568,376	A	10/1996	Benmergui et al.	
D398,901	S	9/1998	Roman	
5,921,280	A	7/1999	Ericksen et al.	
6,240,325	B1	5/2001	Brundisini	
6,240,336	B1	5/2001	Brundisini	
D452,695	S	1/2002	Miller	
6,402,049	B1	6/2002	Youngs, Jr.	
6,507,775	B1	1/2003	Simon et al.	
D477,287	S	7/2003	Roman	
D484,465	S	12/2003	Ventress et al.	
6,708,084	B2	3/2004	Battistutto et al.	
6,721,630	B1	4/2004	Woytowitz	
D492,264	S *	6/2004	Perez et al. D13/162
6,772,050	B2	8/2004	Williams et al.	

D546,772	S *	7/2007	Venegas et al. D13/162
D564,456	S	3/2008	Weiler et al.	
D580,373	S *	11/2008	Stange et al. D13/162
D581,880	S *	12/2008	Neitzel et al. D13/162
2005/0038529	A1	2/2005	Perez et al.	
2005/0267641	A1	12/2005	Nickerson et al.	
2005/0273205	A1	12/2005	Nickerson et al.	
2006/0030971	A1	2/2006	Nelson et al.	
2006/0293797	A1	12/2006	Weiler	
2007/0156290	A1	7/2007	Froman et al.	
2007/0208462	A1	9/2007	Kah	
2008/0058964	A1 *	3/2008	Nickerson et al. 700/19

OTHER PUBLICATIONS

Hunter Industries, "Hunter ICC Controllers", 2002, 2 pages, Hunter Industries Incorporated, San Marcos, CA.

(Continued)

Primary Examiner—Daniel D Bui
Assistant Examiner—Thomas J Johannes
(74) *Attorney, Agent, or Firm*—Fitch Even Tabin & Flannery

(57) **CLAIM**

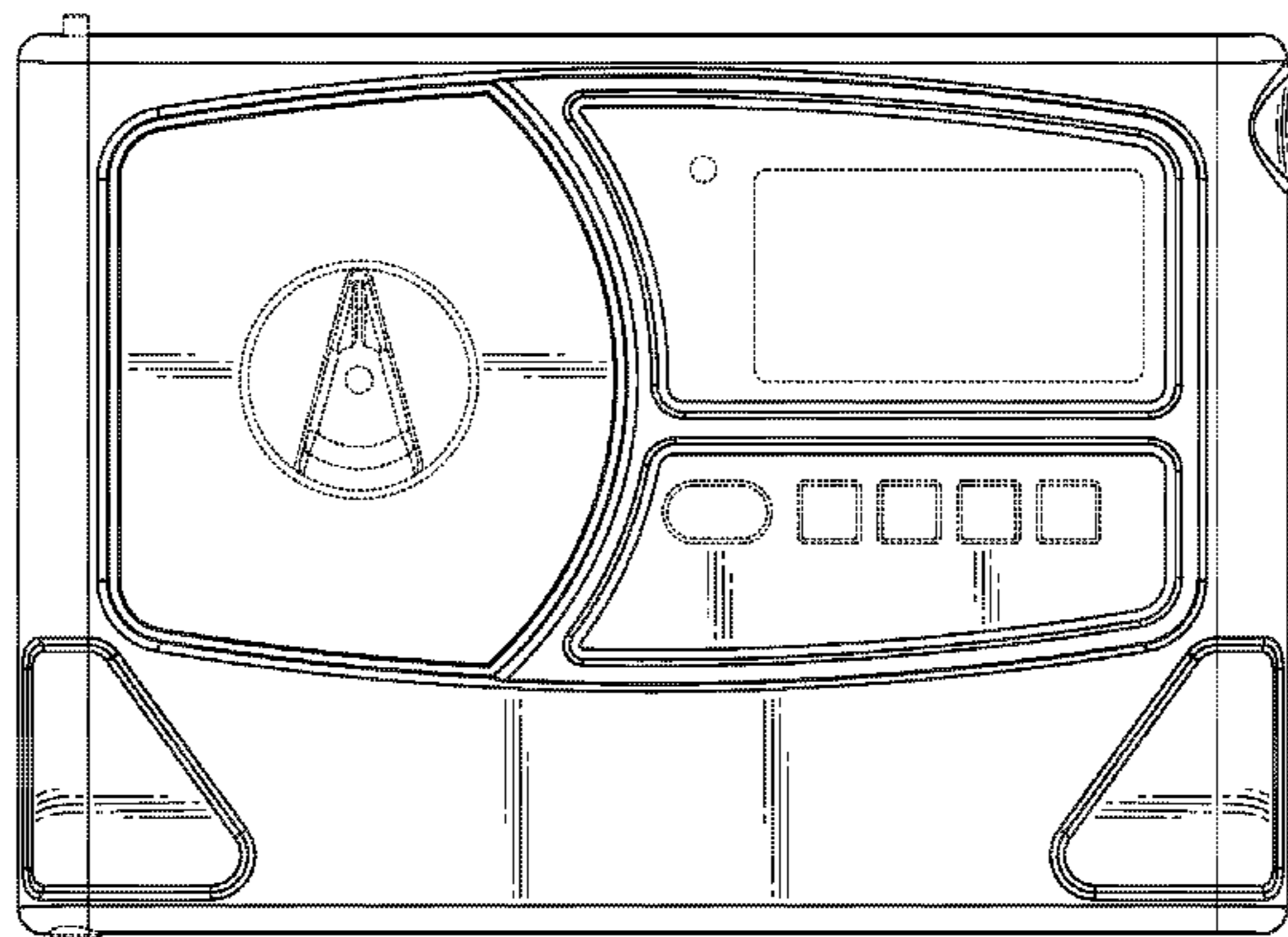
We claim the ornamental design for an irrigation controller control panel, as shown and described.

DESCRIPTION

FIG. 1 is a rear view of an irrigation controller control panel showing our new design;
FIG. 2 is a front view thereof;
FIG. 3 is a left side view thereof;
FIG. 4 is a right side view thereof;
FIG. 5 is a top view thereof; and,
FIG. 6 is a bottom view thereof.

The broken line portion of the figures is included to show the unclaimed subject matter only and forms no part of the claimed design.

1 Claim, 4 Drawing Sheets



OTHER PUBLICATIONS

Hunter Industries, "SRC Plus Controller", published at <http://www.hunterindustries.com/Products/Controllers/srcintro.html>, Jul. 18, 2007, 1 page, Hunter Industries Incorporated, San Marcos, CA.

Irritrol, "KwikDial Series Controllers," published at http://irritrol.com/controllers/controllers_kwikdial.html, Jul. 17, 2007, 1 page, Irritrol, USA.

Irritrol, "Slim Dial Controllers", published at http://irritrol.com/controllers/controllers_slimdial.html, Jul. 18, 2007, 1 page, Irritrol, USA.

Nomis, "The Nomis 8 Zone Timer", published at <http://nomistimer.com/>, Jul. 18, 2007, 1 page, Nomis, USA.

Orbit Irrigation Products Inc., published at <http://www.orbitonline.com/catalogs/images/2002%20Turf%20Catalog.pdf>, commercially available prior to May 19, 2009, 1 page, Orbit Irrigation Products, Inc., USA.

Rain Bird, "E-Class Series, Indoor/Outdoor Multiple Station Timer with Programmer Rain Delay", published at <http://web.archive.org/web/20061230224254/www.rainbird.com/diy/products/timers/eclass.htm>, Jul. 9, 2007, 1 page, Rain Bird Corporation, Asuza, CA.

Rain Bird, "Ec Series Irrigation Controllers, Three Program Hybrid Indoor Controller", published at <http://web.archive.org/web/20070428032252/www.rainbird.com/landscape/products/controllers/ec.htm>, Jul. 9, 2009, 2 pages, Rain Bird Corporation, Asuza, CA.

Rain Bird, "ESP-LXi Series, Indoor/Outdoor Extra Simple Programmer with Drip Program," published at <http://web.archive.org/web/20061229090326/www.rainbird.com/diy/products/timers/esplxi.htm>, Jul. 9, 2007, 1 page, Rain Bird Corporation, Asuza, CA.

Rain Bird, "ESP-MC Series, Four Program Hybrid Controllers", published at <http://web.archive.org/web/20060502184113/www.rainbird.com/landscape/products/controllers/espmc.htm>, Jul. 9, 2007, 3 pages, Rain Bird Corporation, Asuza, CA.

Rain Bird, "Installation and Operation Guide, Controller Unit IM," Apr. 2002, pp. 16-18, Rain Bird Corporation, Asuza, CA.

Rain Bird, "ISA Series, Multiple Station Indoor Timers", published at <http://web.archive.org/web/20061229091114/www.rainbird.com/diy/products/isa.htm>, Jul. 9, 2007, 1 page, Rain Bird Corporation, Asuza, CA.

Rain Bird, "ISB-409, 9 Station Dual Program Indoor Timer", published at <http://web.archive.org/web/20061229094429/www.rainbird.com/diy/products/timers/isb409.htm>, Jul. 9, 2007, 1 page, Rain Bird Corporation, Asuza, CA.

Rain Bird, "ISM Series, Irrigation System Manager", published at <http://web.archive.org/web/20070101191042/www.rainbird.com/diy/products/timers/ism.htm>, Jul. 9, 2007, 2 pages, Rain Bird Corporation, Asuza, CA.

Rain Bird, "Rain Bird ESP-TM Series, Dual Program Hybrid Irrigation Controllers", published at <http://web.archive.org/web/20060221193813/www.rainbird.com/landscape/products/controllers/esptm.htm>, Jul. 9, 2007, 2 pages, Rain Bird Corporation, Asuza, CA.

* cited by examiner

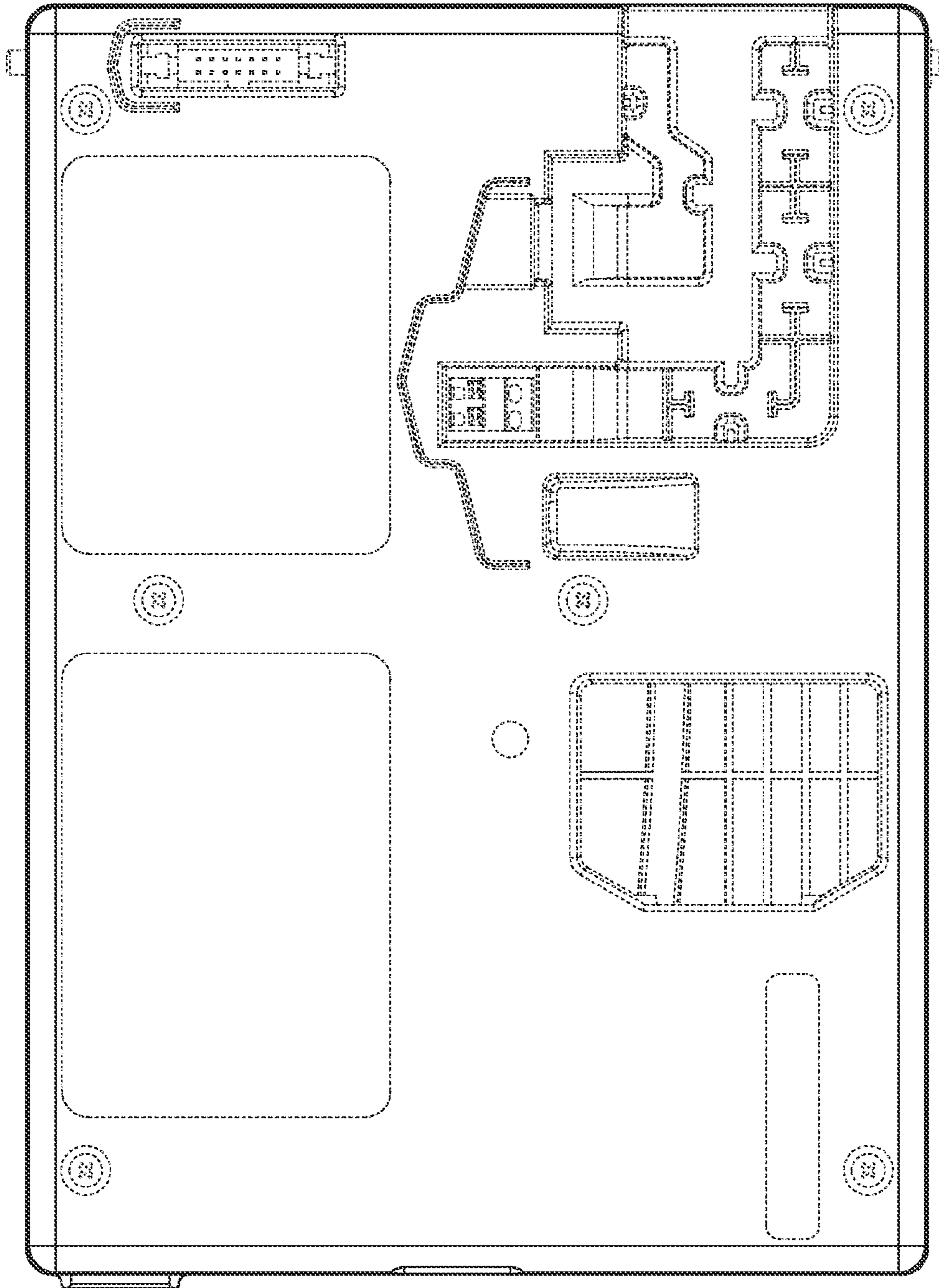


FIG. 1

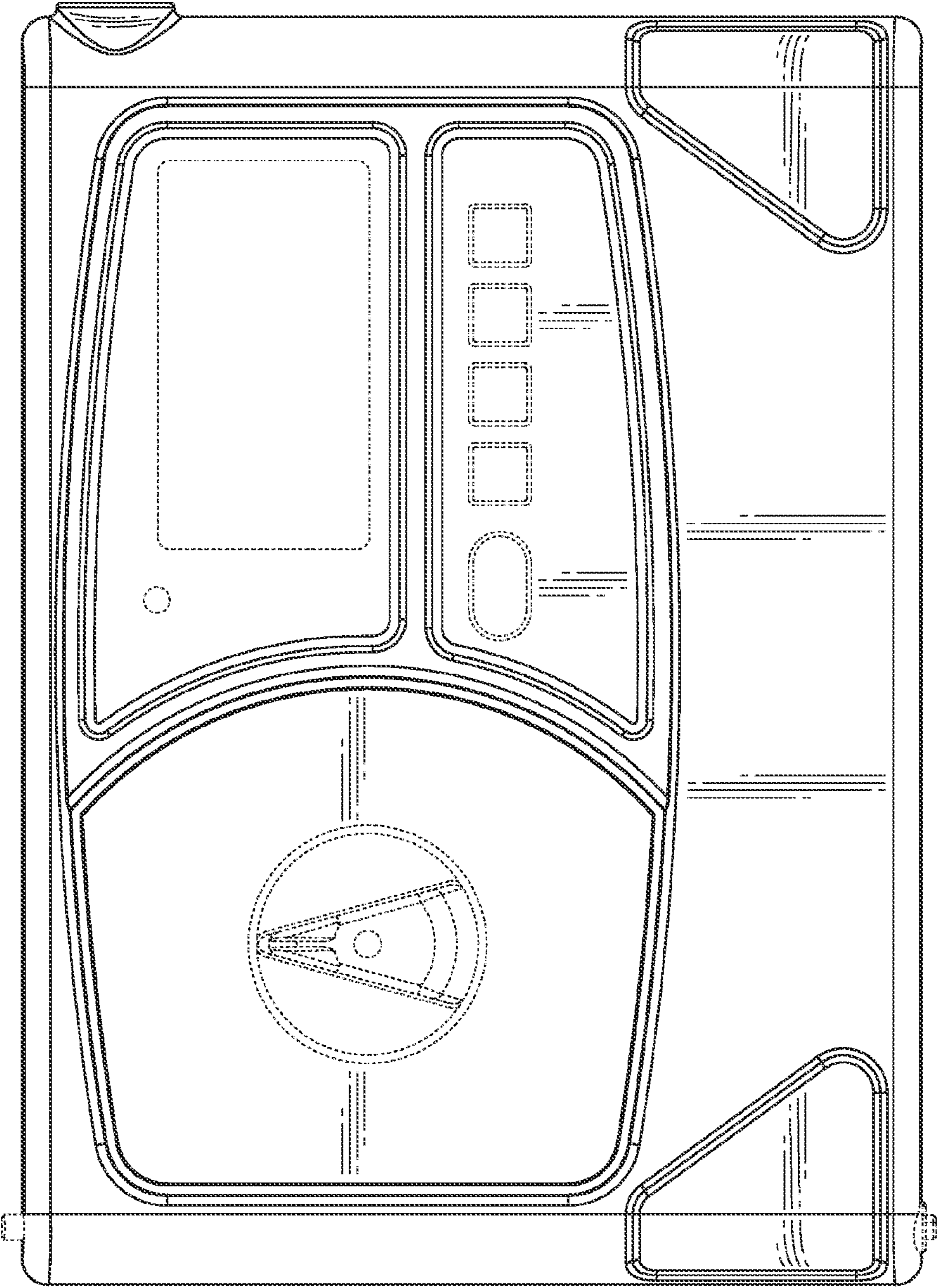


FIG. 2

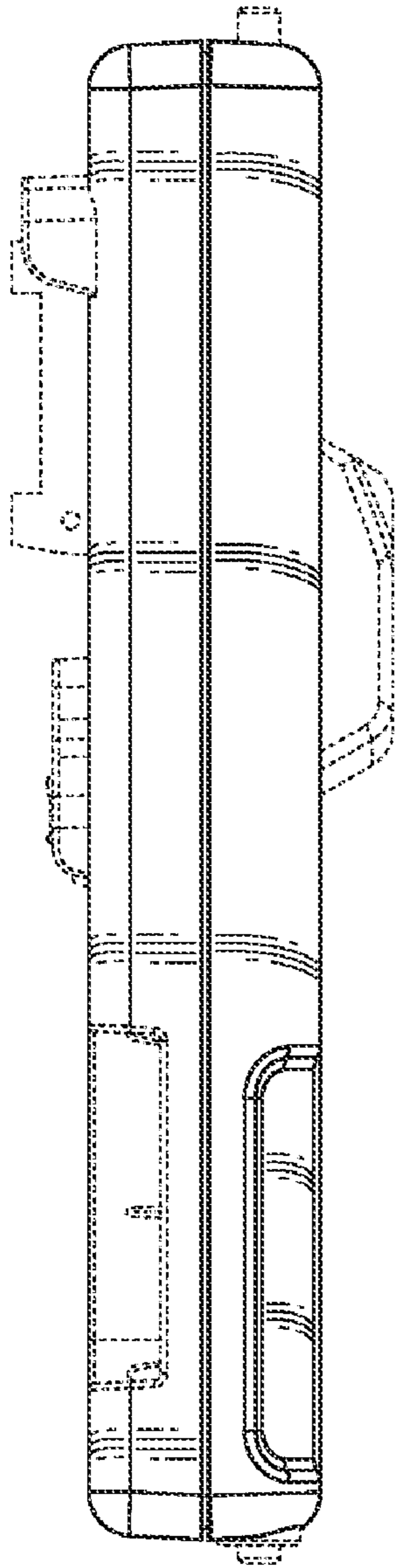


FIG. 3

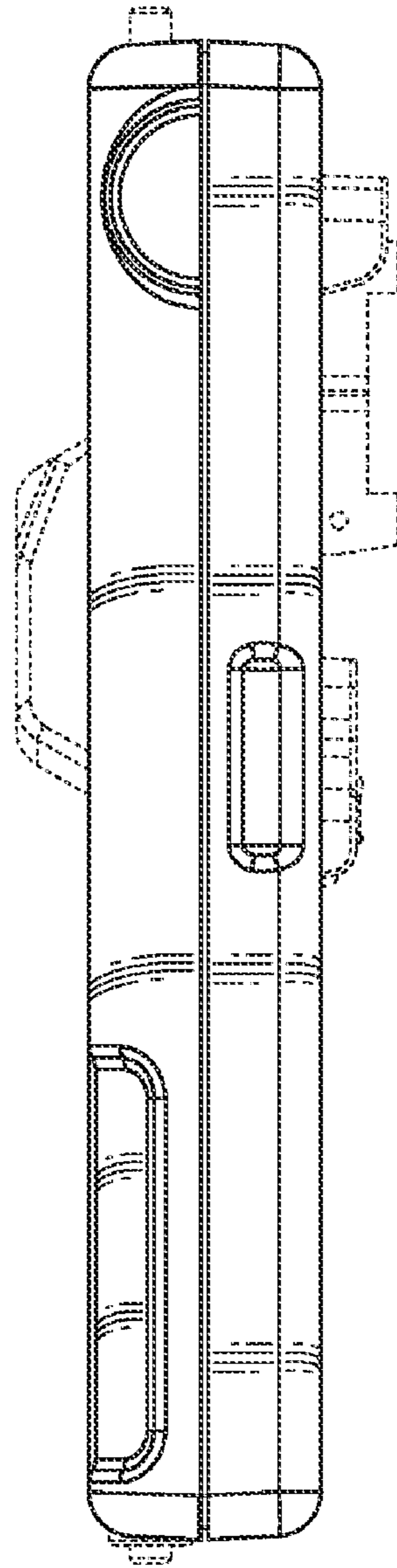


FIG. 4

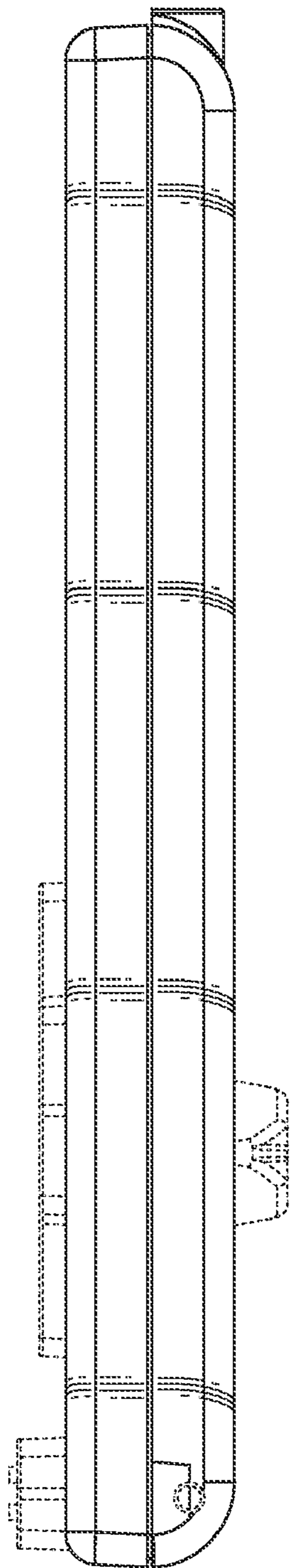


FIG. 5

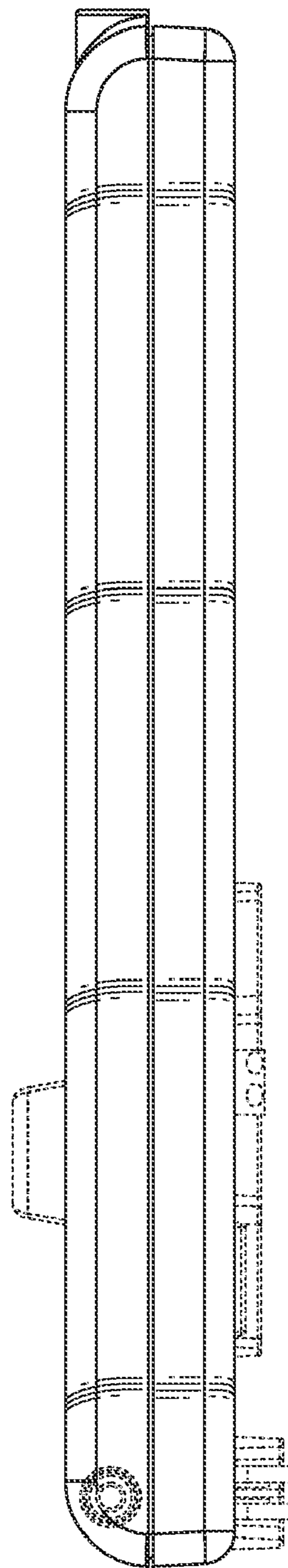


FIG. 6