



US00D608299S

(12) **United States Design Patent**
Shin

(10) **Patent No.:** **US D608,299 S**

(45) **Date of Patent:** **** Jan. 19, 2010**

(54) **VACUUM CIRCUIT BREAKER**

(75) Inventor: **Young Seong Shin**, Yongin-shi (KR)

(73) Assignee: **LS Industrial Systems Co., Ltd.**,
Ahnyang-shi (KR)

(**) Term: **14 Years**

(21) Appl. No.: **29/333,543**

(22) Filed: **Mar. 11, 2009**

(30) **Foreign Application Priority Data**

Sep. 26, 2008 (KR) 30-2008-0041728

(51) **LOC (9) Cl.** **13-03**

(52) **U.S. Cl.** **D13/160**

(58) **Field of Classification Search** D13/123,
D13/133, 158, 159, 160, 162, 162.1, 164,
D13/184, 199; 200/43.14, 50.01, 50.21,
200/50.23, 51 R, 293, 400, 401; 361/42,
361/44, 45, 50, 71, 115, 608, 634

See application file for complete search history.

(56) **References Cited**

U.S. PATENT DOCUMENTS

3,983,460 A * 9/1976 Kuhn et al. 361/626
4,587,390 A * 5/1986 Gray 200/400
6,710,696 B2 * 3/2004 Meiners et al. 337/186

7,141,747 B2 * 11/2006 Dahl et al. 200/50.21
2009/0014292 A1 * 1/2009 Lyu 200/50.26

* cited by examiner

Primary Examiner—Daniel D Bui

Assistant Examiner—Thomas J Johannes

(74) *Attorney, Agent, or Firm*—Birch, Stewart, Kolasch &
Birch, LLP

(57) **CLAIM**

We claim the ornamental design for a vacuum circuit breaker,
as shown and described.

DESCRIPTION

FIG. 1 is a perspective view of a vacuum circuit breaker
showing our new design:

FIG. 2 is a front elevation view thereof;

FIG. 3 is a rear elevation view thereof;

FIG. 4 is a left-side elevation view thereof;

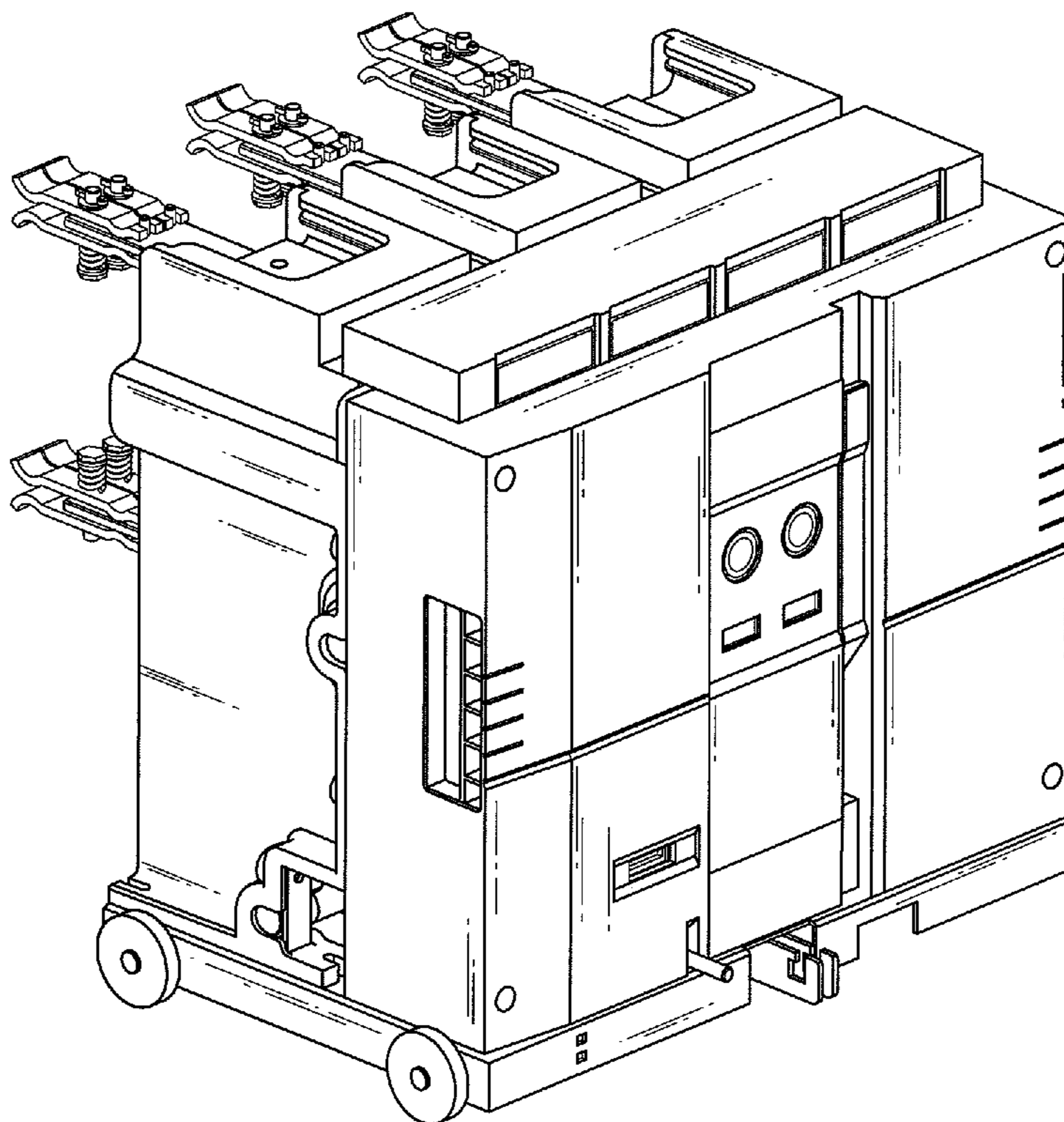
FIG. 5 is a right-side elevation view thereof;

FIG. 6 is a top plan view thereof; and,

FIG. 7 is a bottom plan view thereof.

The broken line portion of the figure drawings is included to
show unclaimed subject matter only and forms no part of the
claimed design.

1 Claim, 4 Drawing Sheets



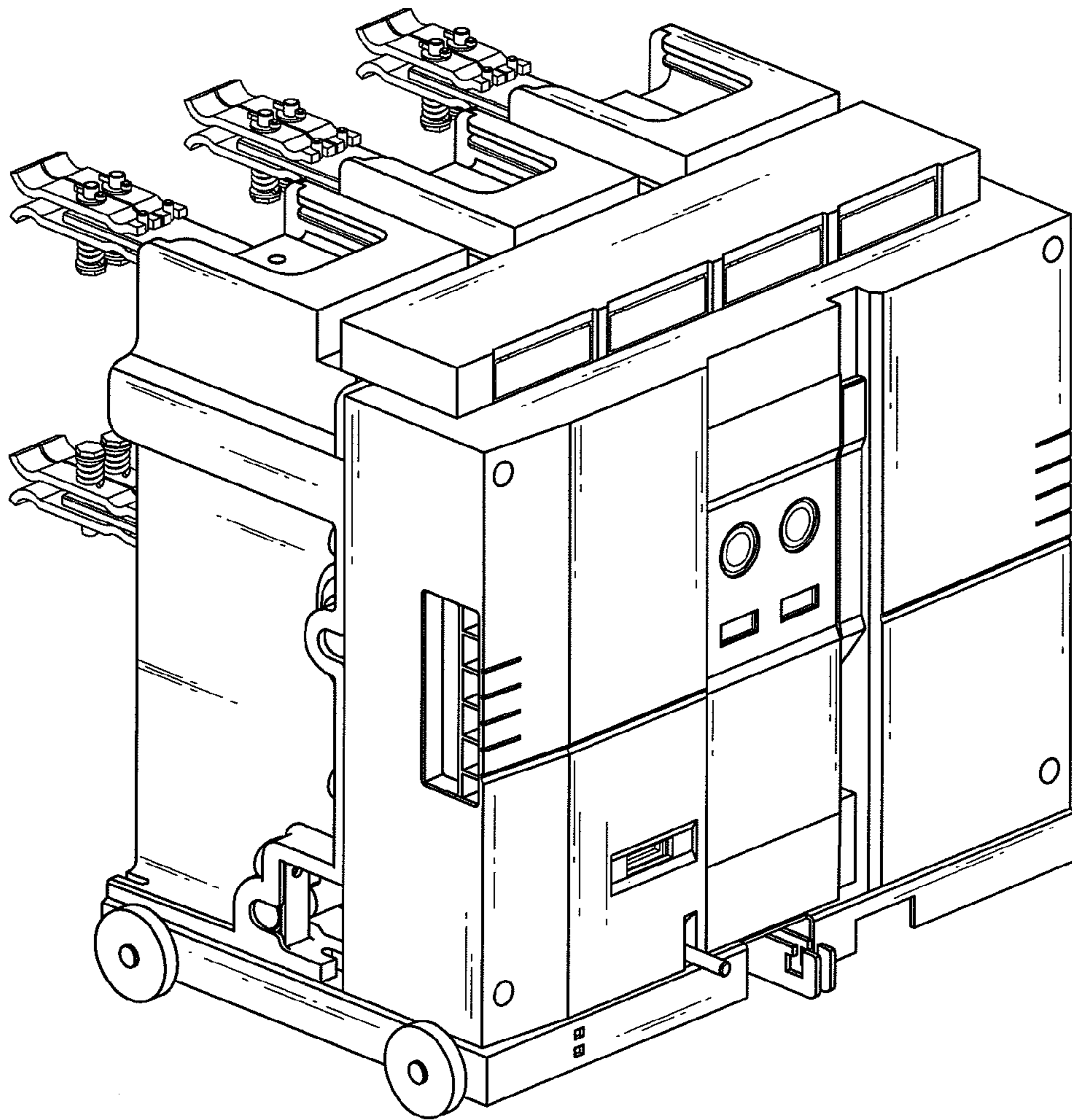


FIG.1

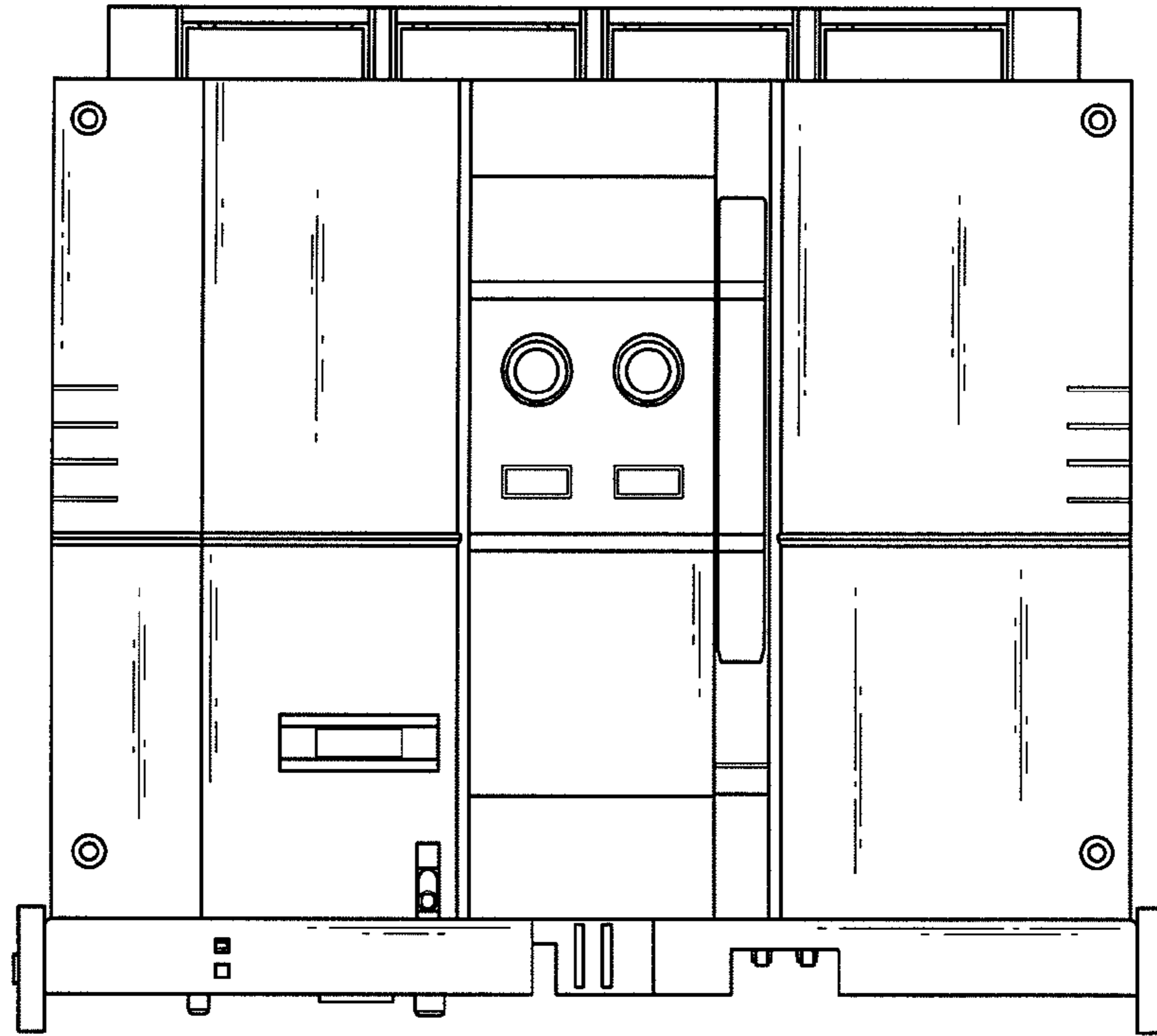


FIG. 2

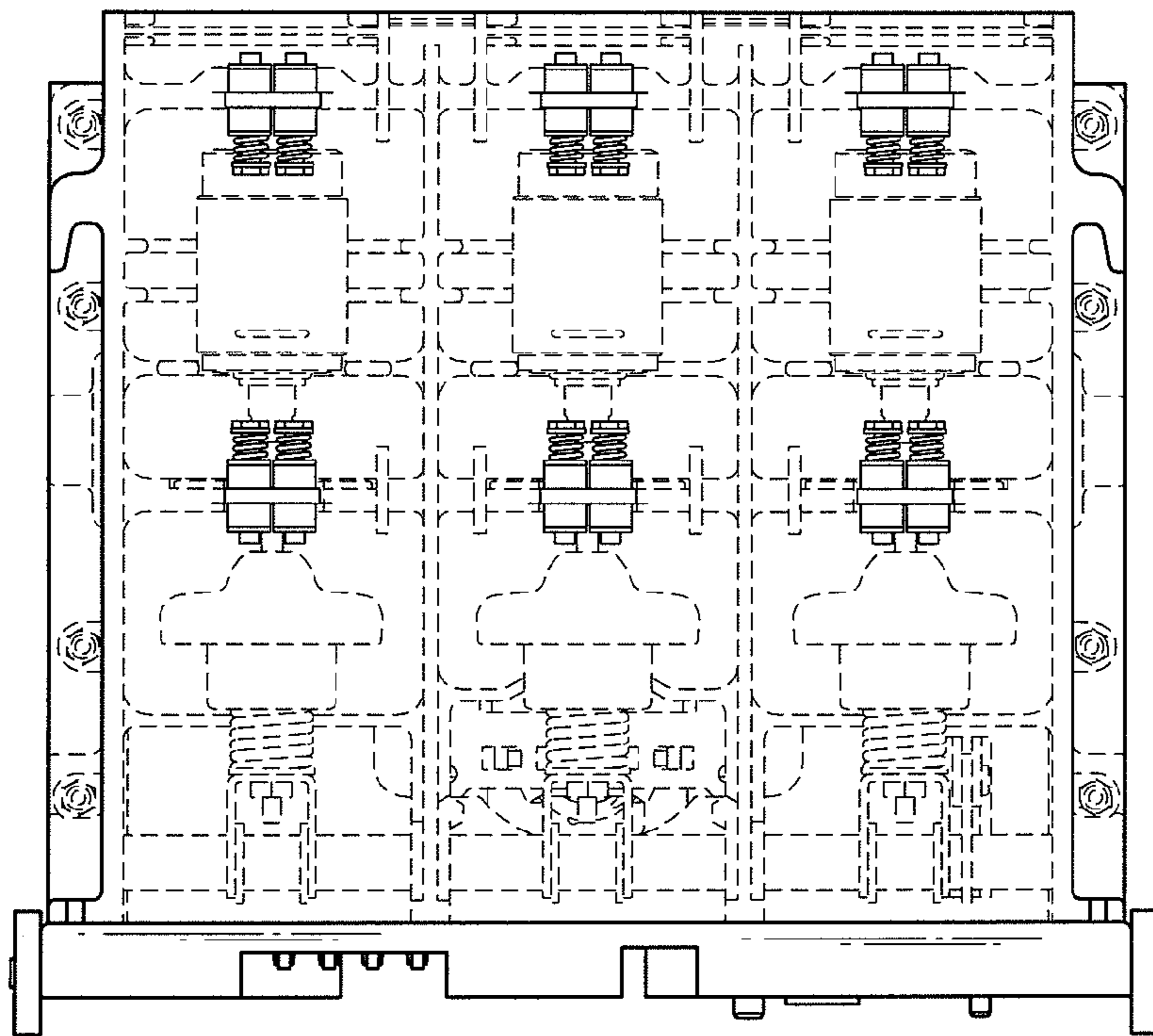


FIG. 3

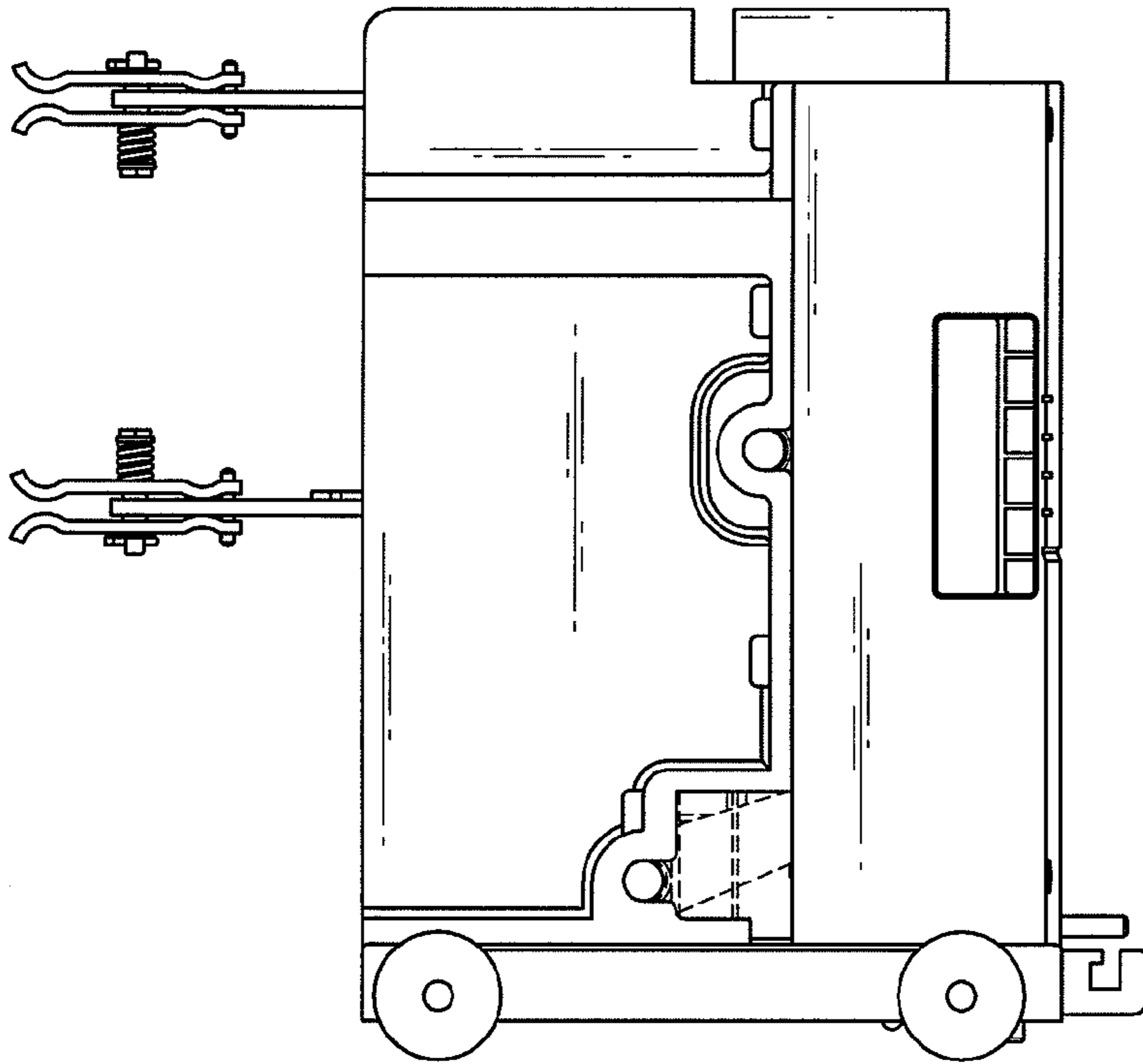


FIG. 4

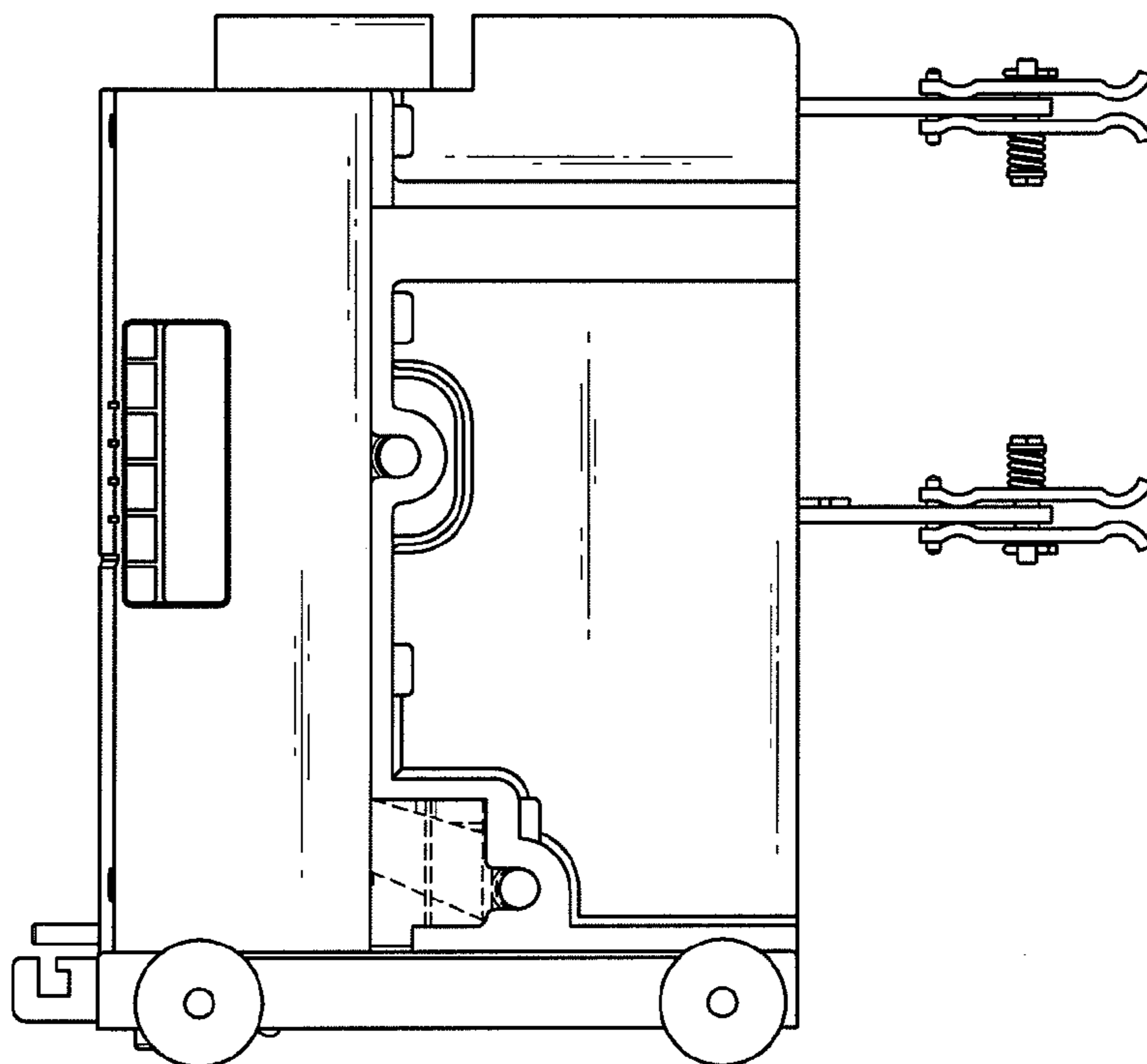


FIG. 5

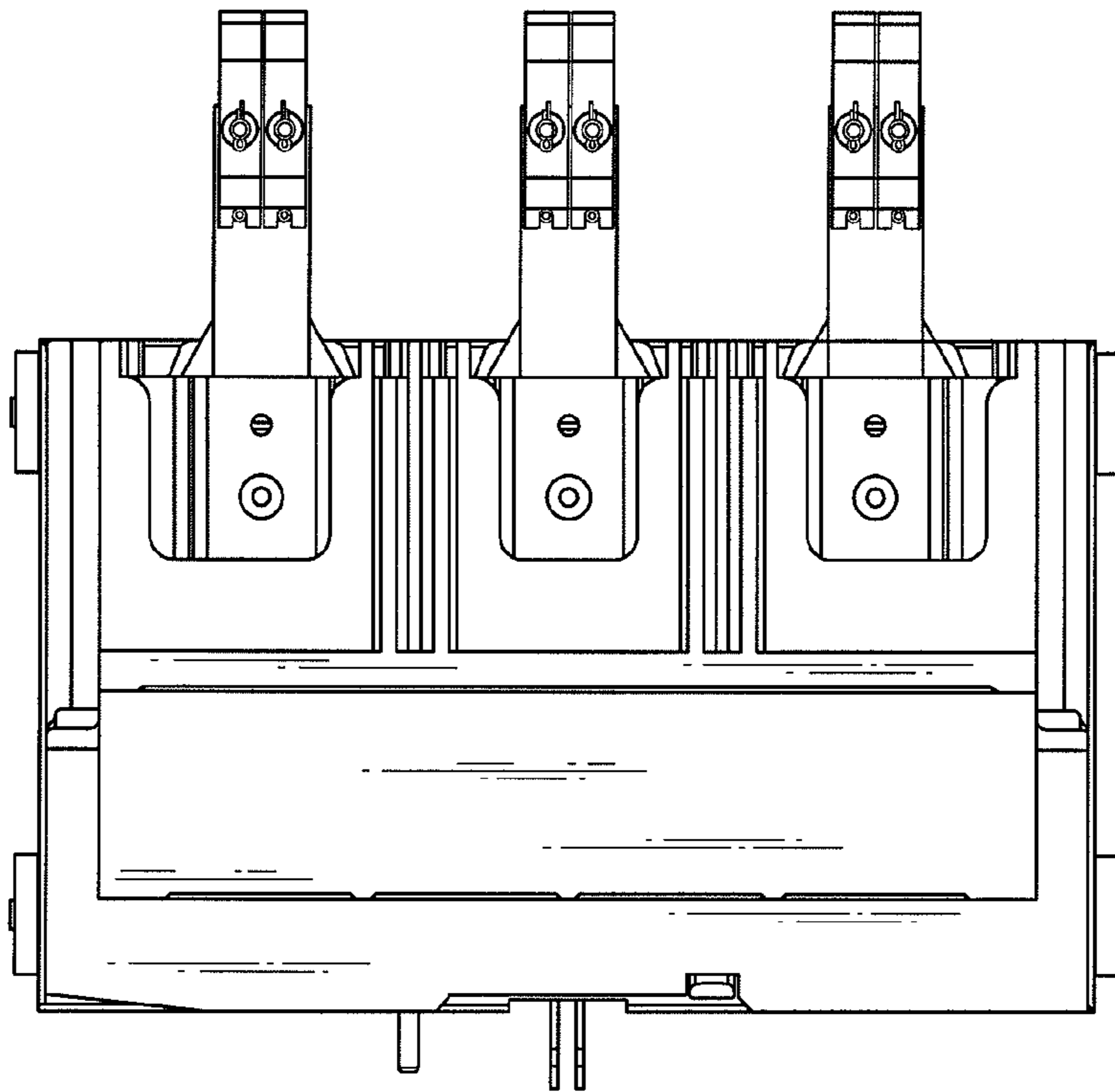


FIG. 6

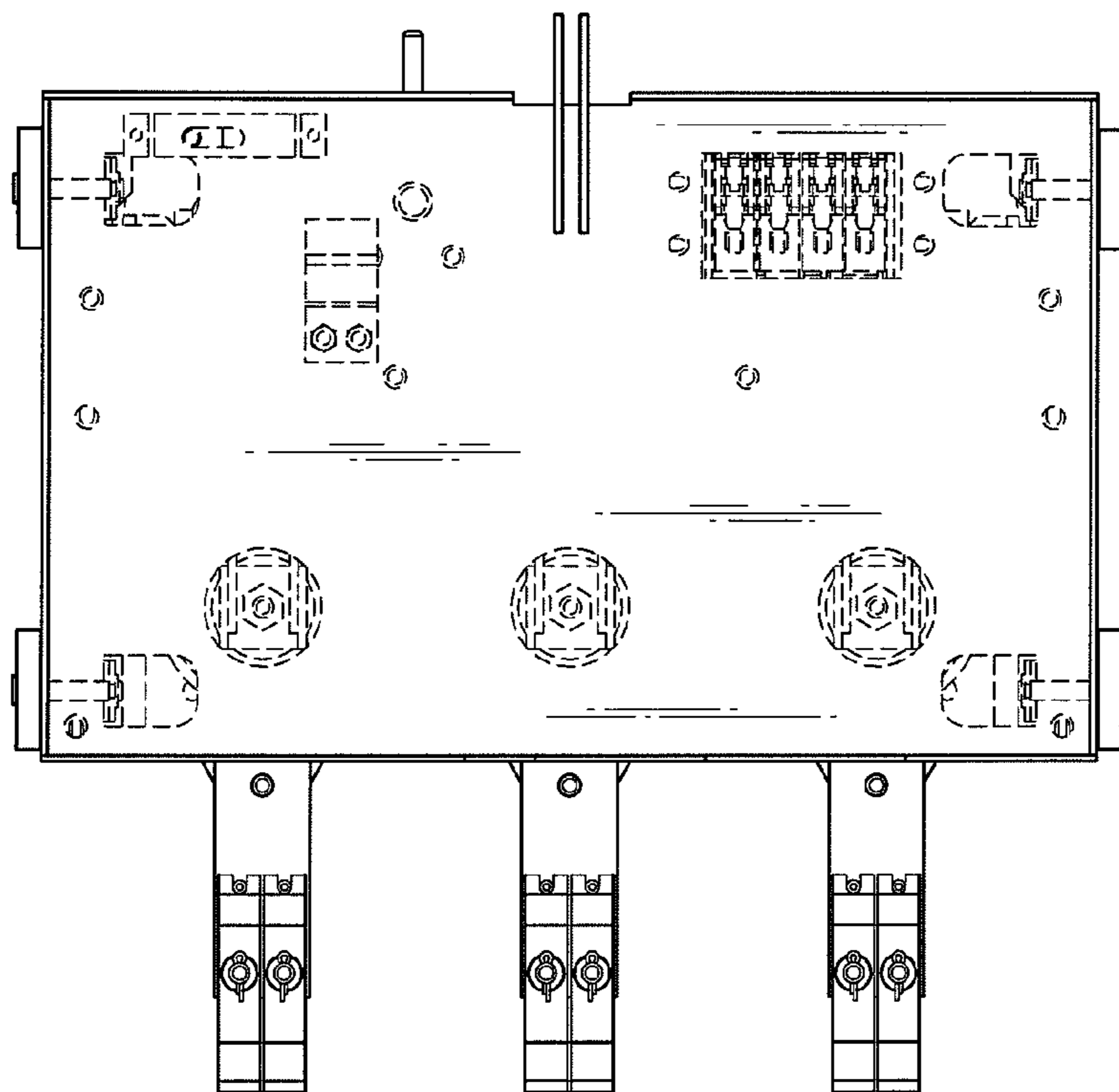


FIG. 7