



US00D608296S

(12) **United States Design Patent**
Shin

(10) **Patent No.:** **US D608,296 S**

(45) **Date of Patent:** **** Jan. 19, 2010**

(54) **ELECTRONIC MOTOR PROTECTION RELAY**

(75) Inventor: **Young Seong Shin**, Yongin-shi (KR)

(73) Assignee: **LS Industrial Systems Co., Ltd.**,
Ahnyang-shi (KR)

(**) Term: **14 Years**

(21) Appl. No.: **29/333,411**

(22) Filed: **Mar. 9, 2009**

(30) **Foreign Application Priority Data**

Sep. 26, 2008 (KR) 30-2008-0041726

(51) **LOC (9) Cl.** **13-03**

(52) **U.S. Cl.** **D13/159**

(58) **Field of Classification Search** D13/158,
D13/159, 160, 162, 162.1, 164, 184, 199;
200/237, 293, 297, 302.3

See application file for complete search history.

(56) **References Cited**

U.S. PATENT DOCUMENTS

D359,948 S * 7/1995 Merlin D13/160
D406,262 S * 3/1999 Gonser D13/160
D406,565 S * 3/1999 Gonser D13/159
D465,802 S * 11/2002 Maniura et al. D18/51
D498,464 S * 11/2004 Kim D13/160

D592,152 S * 5/2009 Lin D13/159
2006/0070862 A1 * 4/2006 Dumont 200/50.35
2007/0188279 A1 * 8/2007 Kim 335/202

* cited by examiner

Primary Examiner—Daniel D Bui

Assistant Examiner—Thomas J Johannes

(74) *Attorney, Agent, or Firm*—Birch, Stewart, Kolasch &
Birch, LLP

(57) **CLAIM**

We claim the ornamental design for an electronic motor protection relay, as shown and described.

DESCRIPTION

FIG. 1 is a perspective view of an electronic motor protection relay showing our new design:

FIG. 2 is a front elevation view thereof;

FIG. 3 is a rear elevation view thereof;

FIG. 4 is a left-side elevation view thereof;

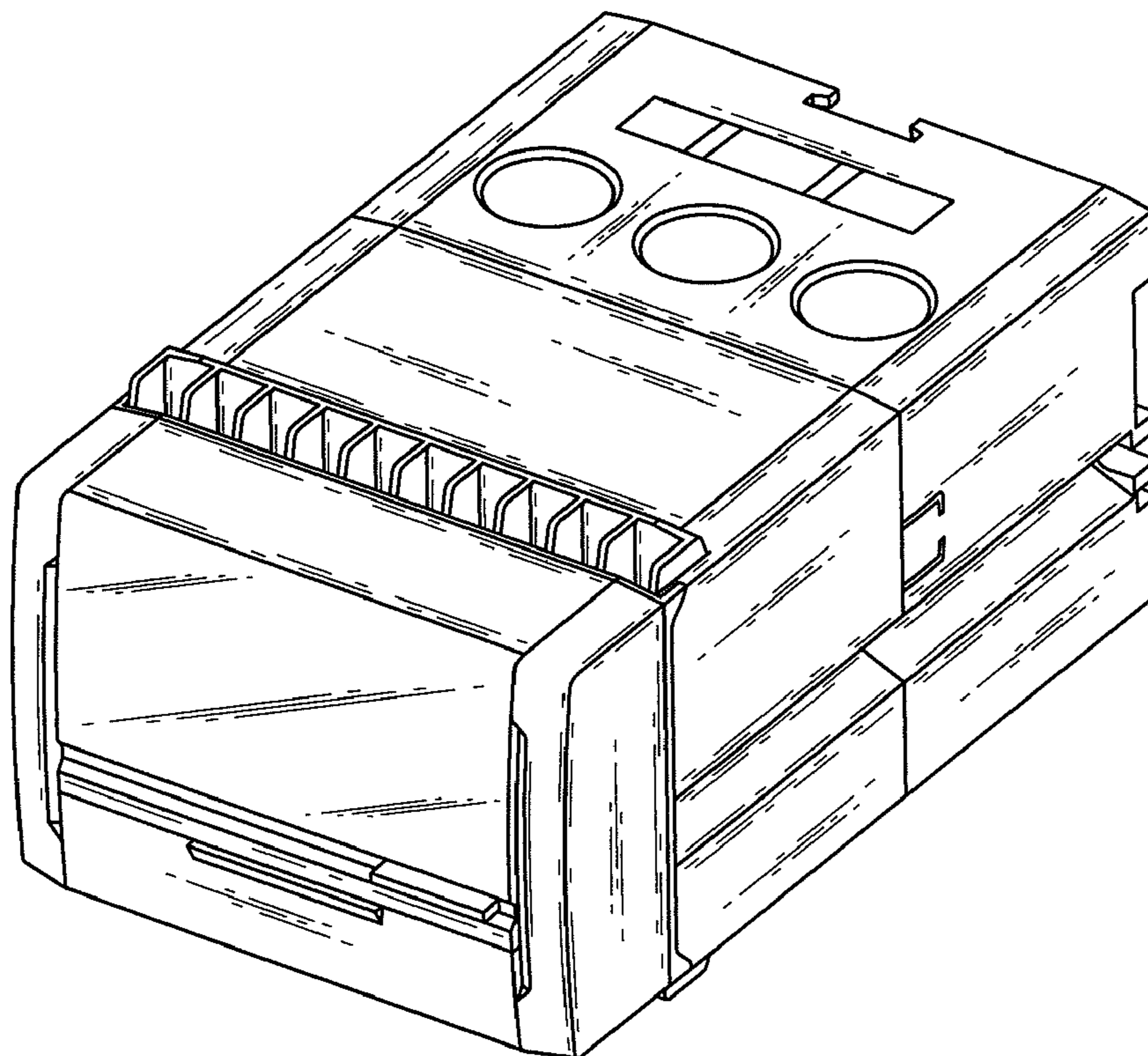
FIG. 5 is a right-side elevation view thereof;

FIG. 6 is a top plan view thereof; and,

FIG. 7 is a bottom plan view thereof.

The broken line portion of the figure drawings is included to show unclaimed subject matter only and forms no part of the claimed design.

1 Claim, 4 Drawing Sheets



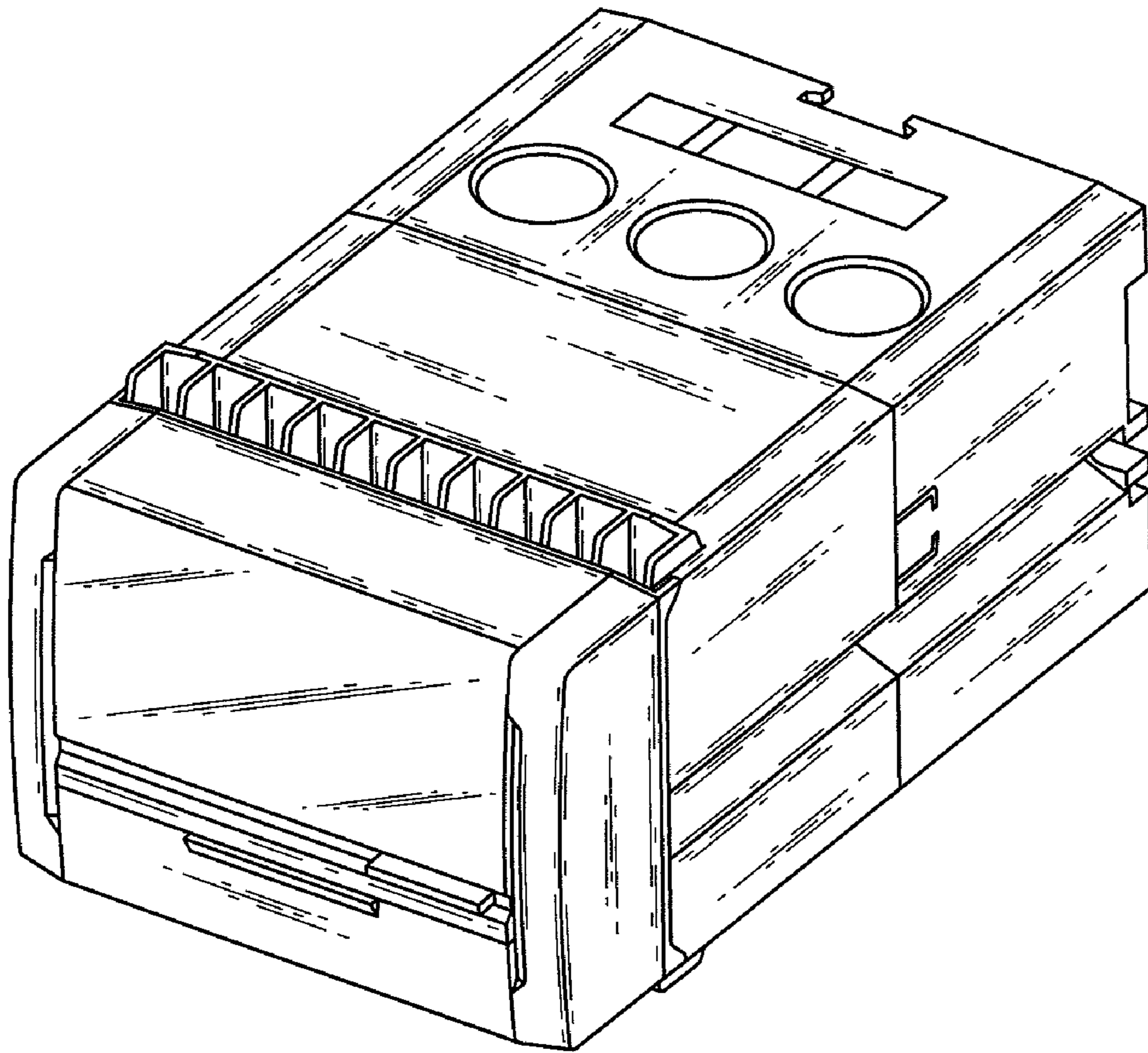


FIG. 1

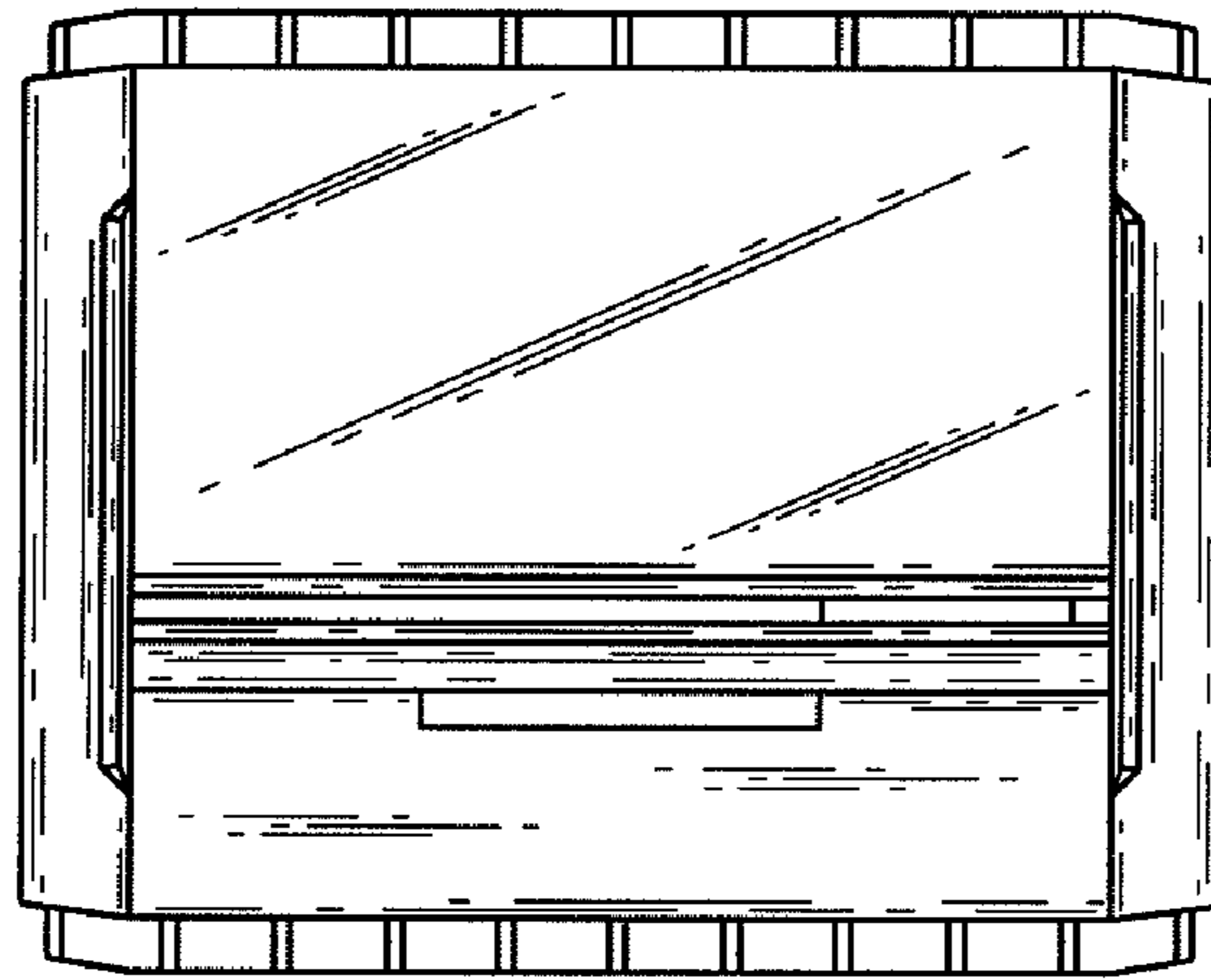


FIG. 2

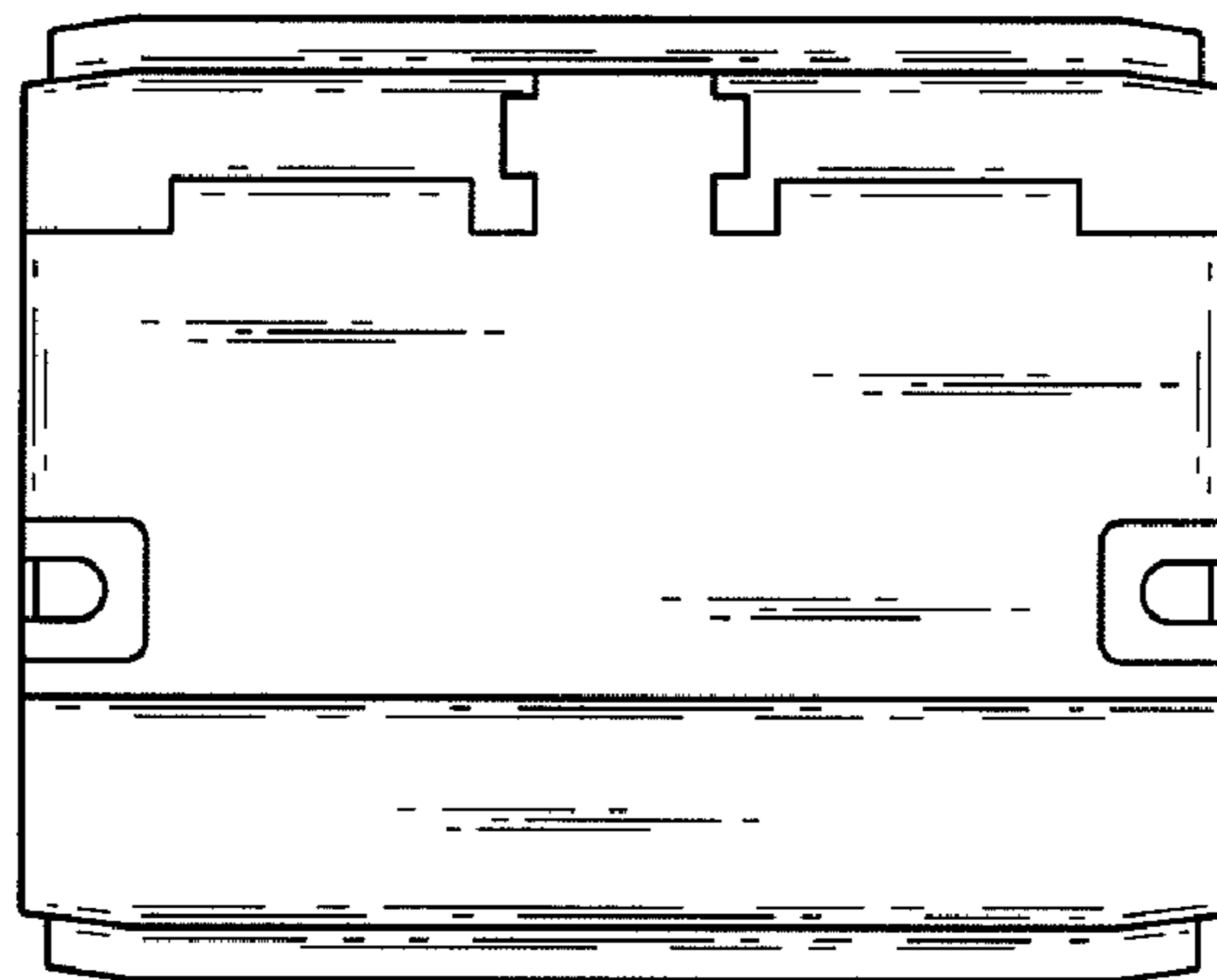


FIG. 3

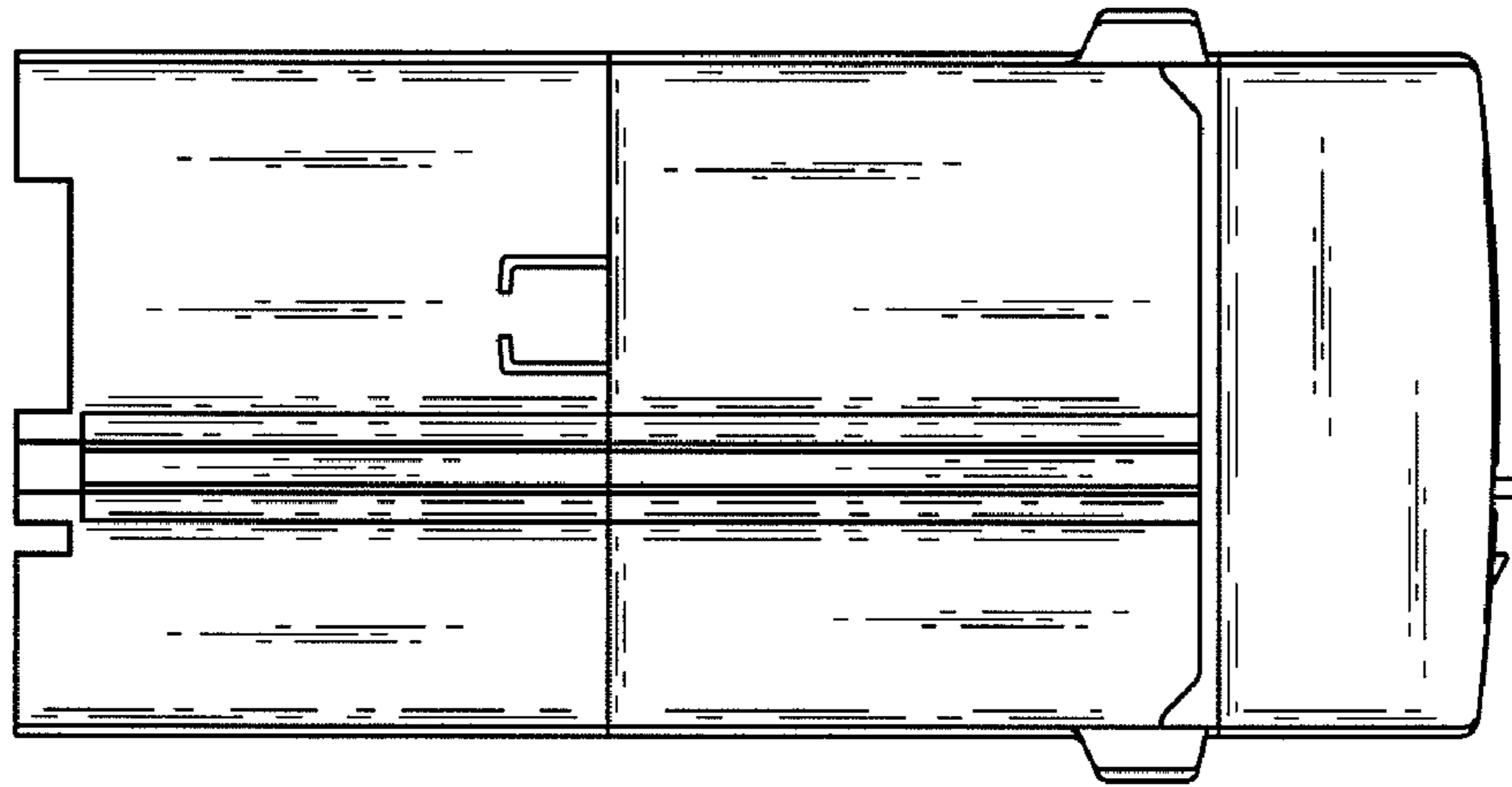


FIG. 4

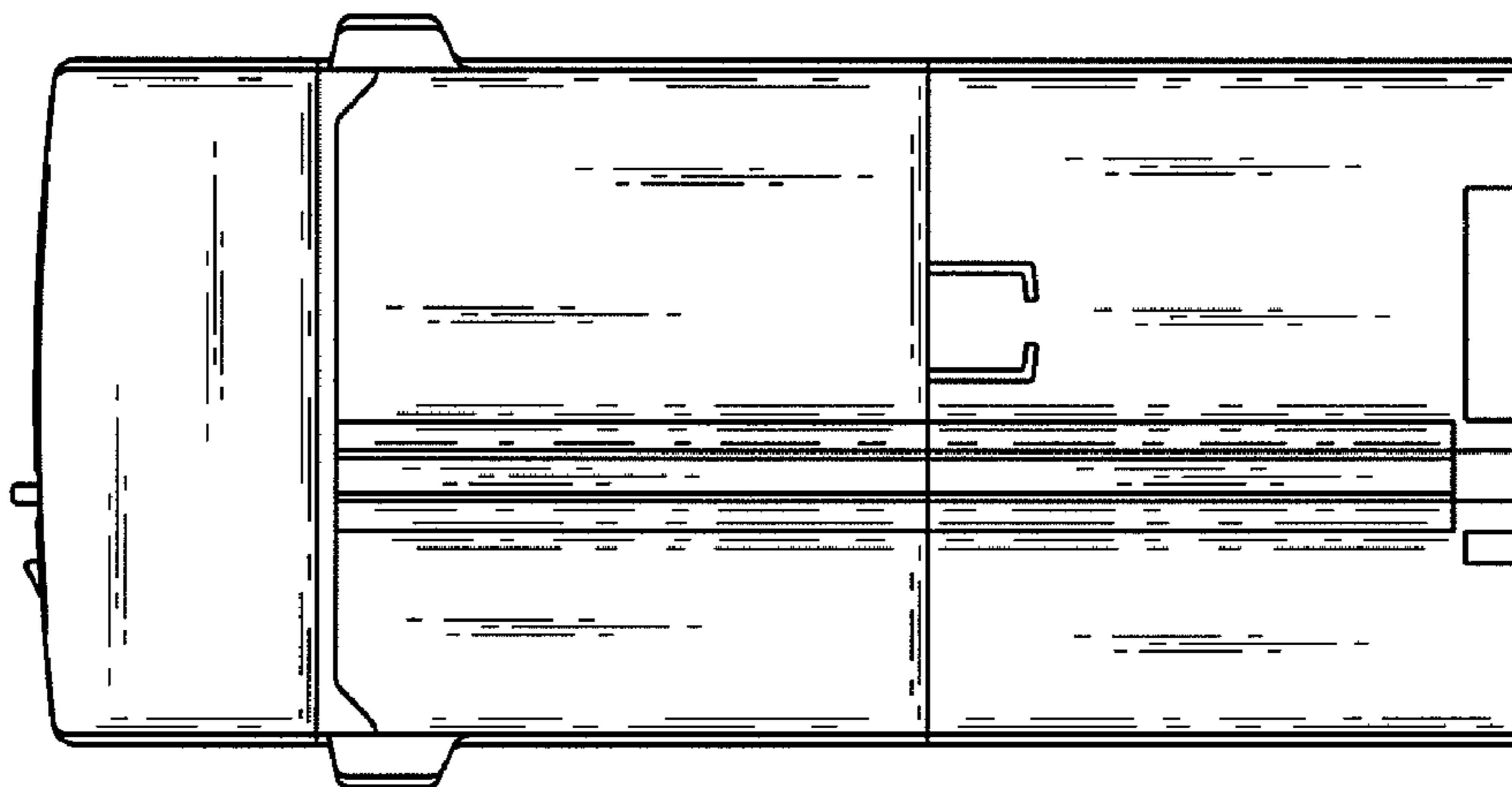


FIG. 5

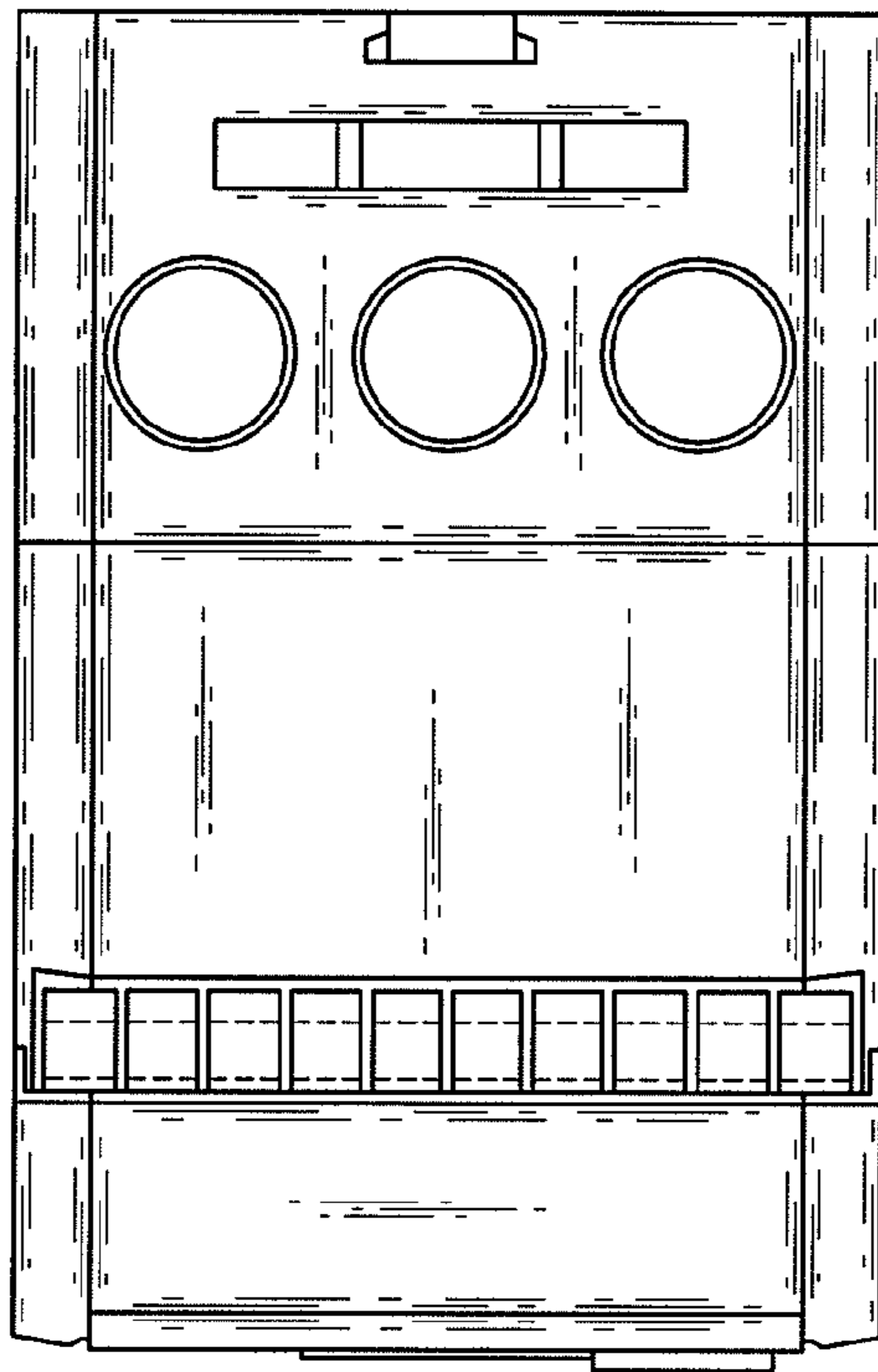


FIG. 6

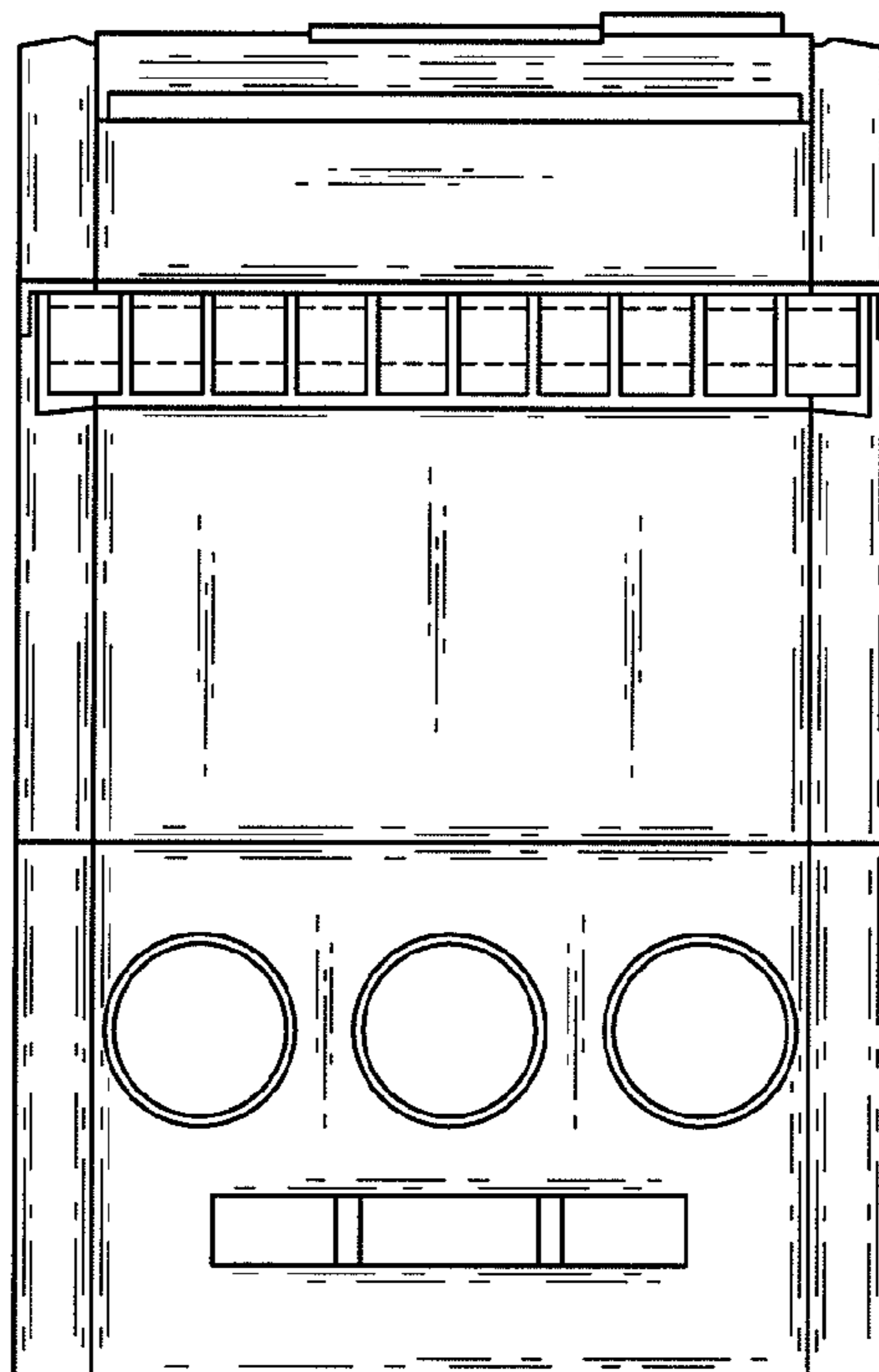


FIG. 7