

US00D608295S

(12) **United States Design Patent**  
**Huang**

(10) **Patent No.:** **US D608,295 S**  
(45) **Date of Patent:** **\*\* Jan. 19, 2010**

(54) **CONNECTOR CONTACT**

2003/0104731 A1\* 6/2003 Chang ..... 439/862  
\* cited by examiner

(75) Inventor: **Sheng Yuan Huang**, Tu-Cheng (TW)

*Primary Examiner*—Daniel D Bui  
(74) *Attorney, Agent, or Firm*—Rosenberg, Klein & Lee

(73) Assignee: **Cheng Uei Precision Industry Co., Ltd.**, Taipei Hsien (TW)

(57) **CLAIM**

(\*\*) Term: **14 Years**

The ornamental design for a connector contact, as shown and described.

(21) Appl. No.: **29/311,809**

(22) Filed: **Jun. 29, 2009**

**DESCRIPTION**

(51) **LOC (9) Cl.** ..... **13-03**

FIG. 1 is a perspective view of a connector contact showing my new design;

(52) **U.S. Cl.** ..... **D13/154**

FIG. 2 is a front elevational view thereof;

(58) **Field of Classification Search** ..... D13/120,  
D13/133, 154, 184; 439/607–610, 732, 844,  
439/851–852, 865–867, 872, 877, 884

FIG. 3 is a rear elevational view thereof;

See application file for complete search history.

FIG. 4 is a left side elevational view thereof;

FIG. 5 is a right side elevational view thereof;

(56) **References Cited**

FIG. 6 is a top plan view thereof;

**U.S. PATENT DOCUMENTS**

FIG. 7 is a bottom plan view thereof; and,

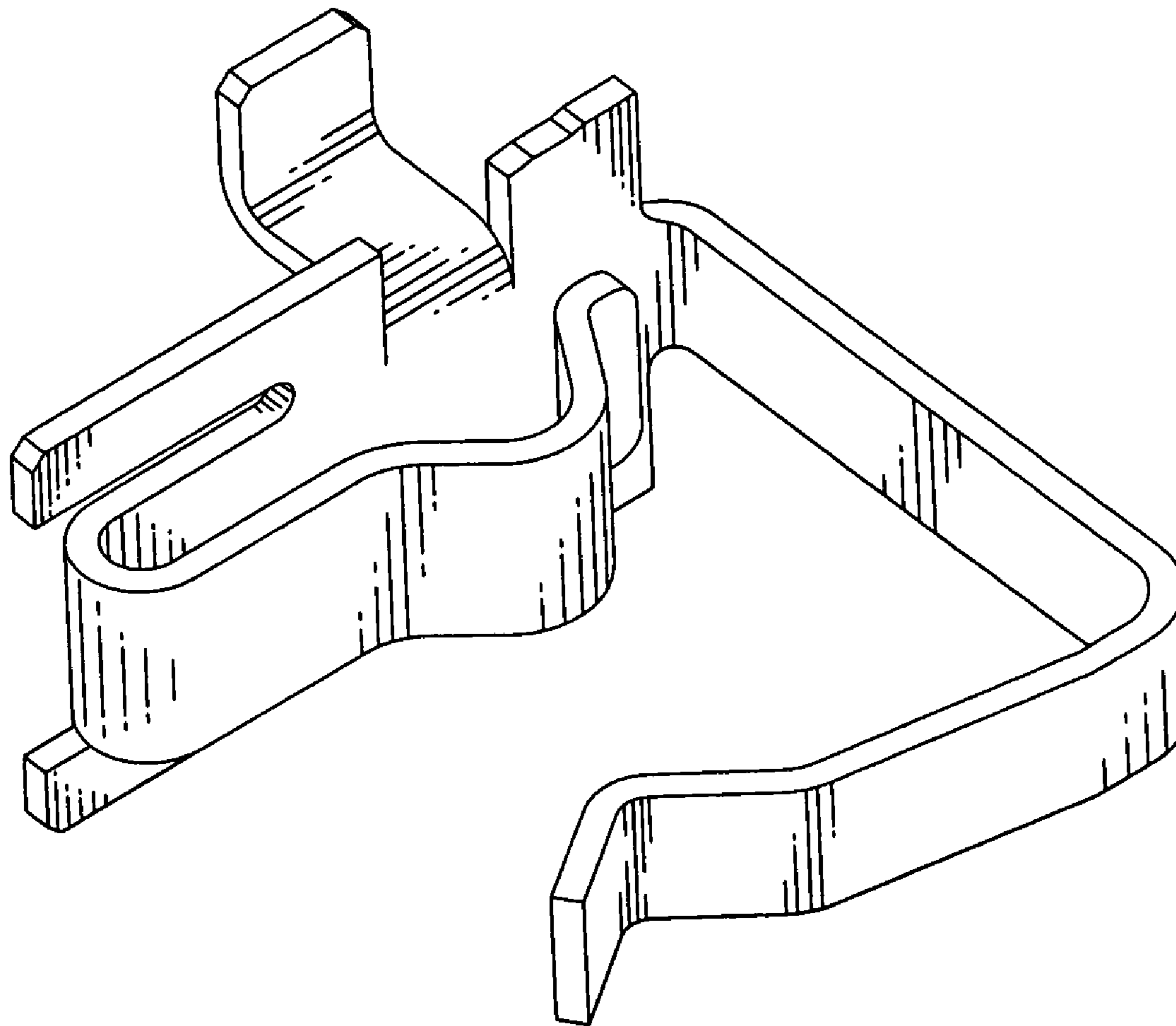
D555,093 S \* 11/2007 Chien et al. .... D13/133

FIG. 8 is another perspective view of the connector contact showing my new design.

D556,131 S \* 11/2007 Chien ..... D13/133

D570,288 S \* 6/2008 Ma et al. .... D13/133

**1 Claim, 8 Drawing Sheets**



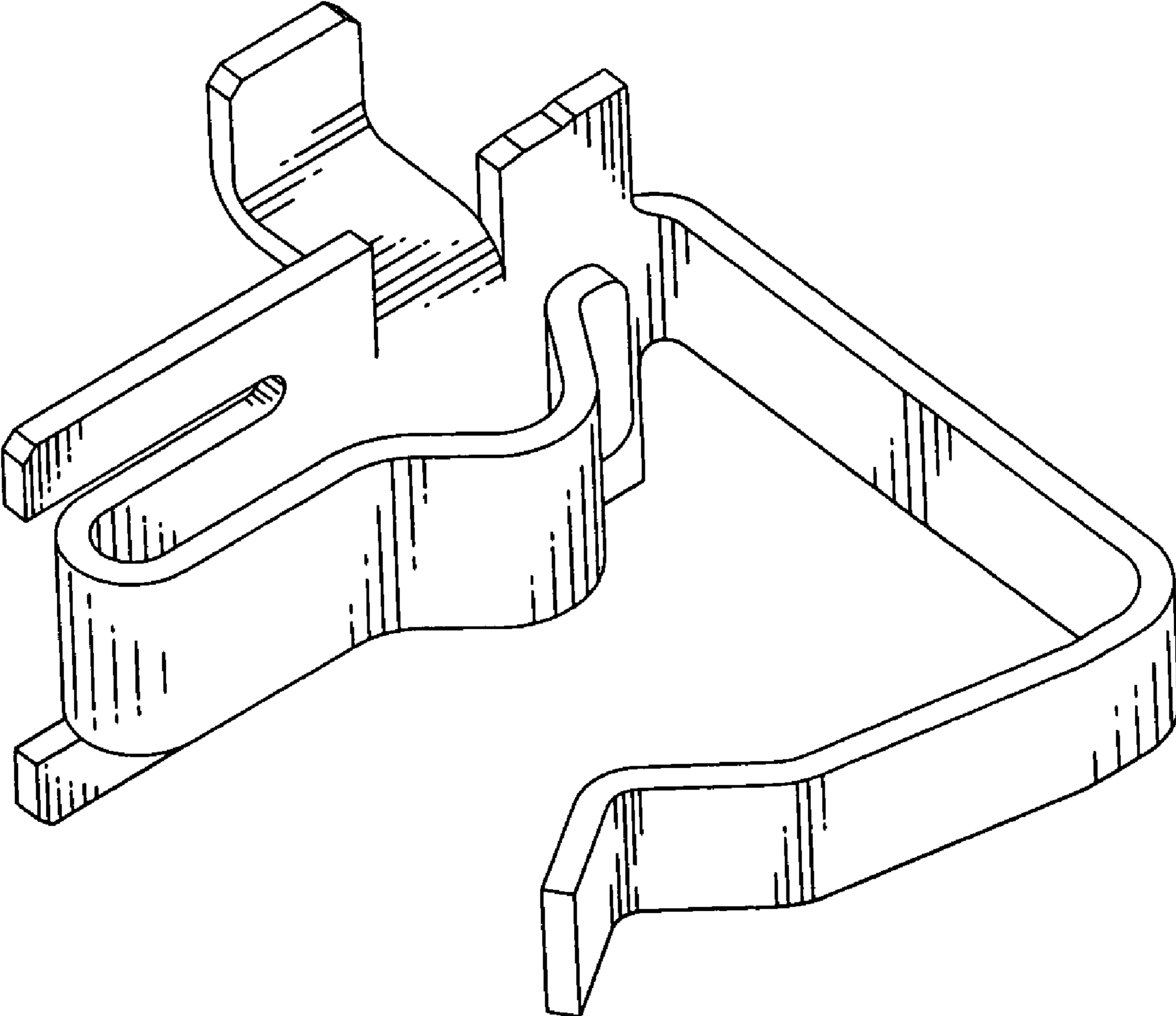


FIG. 1

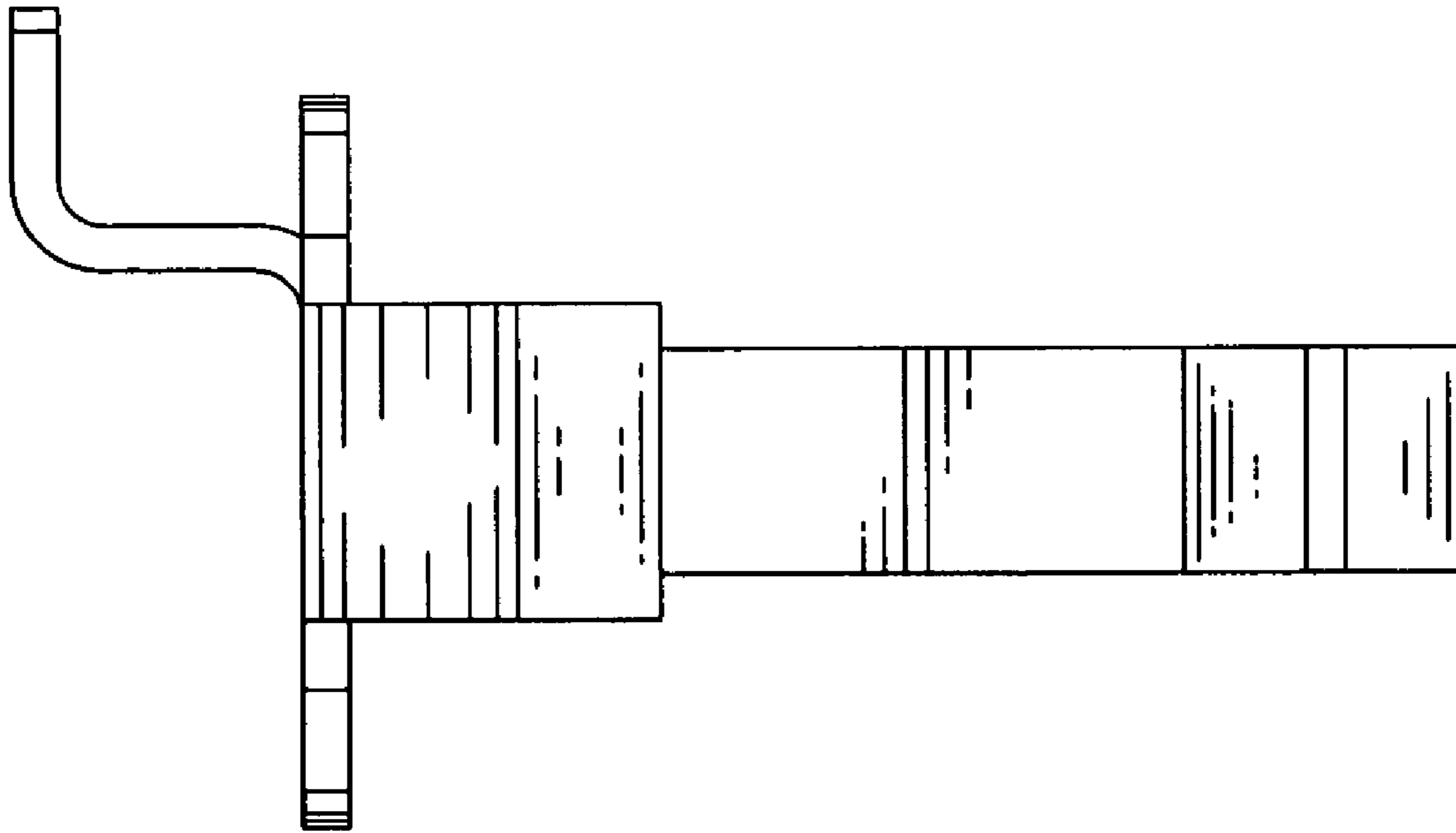


FIG. 2

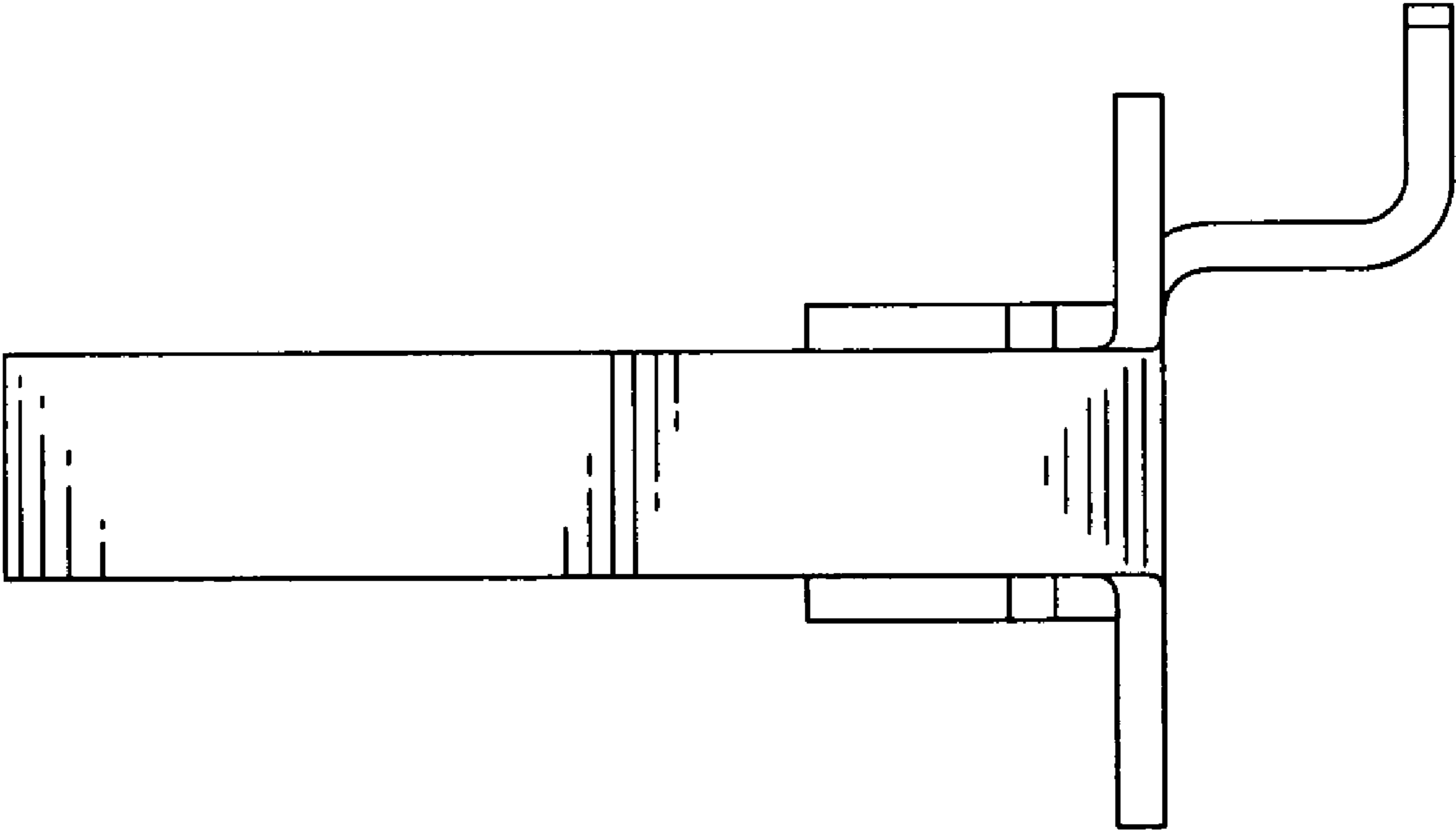


FIG. 3

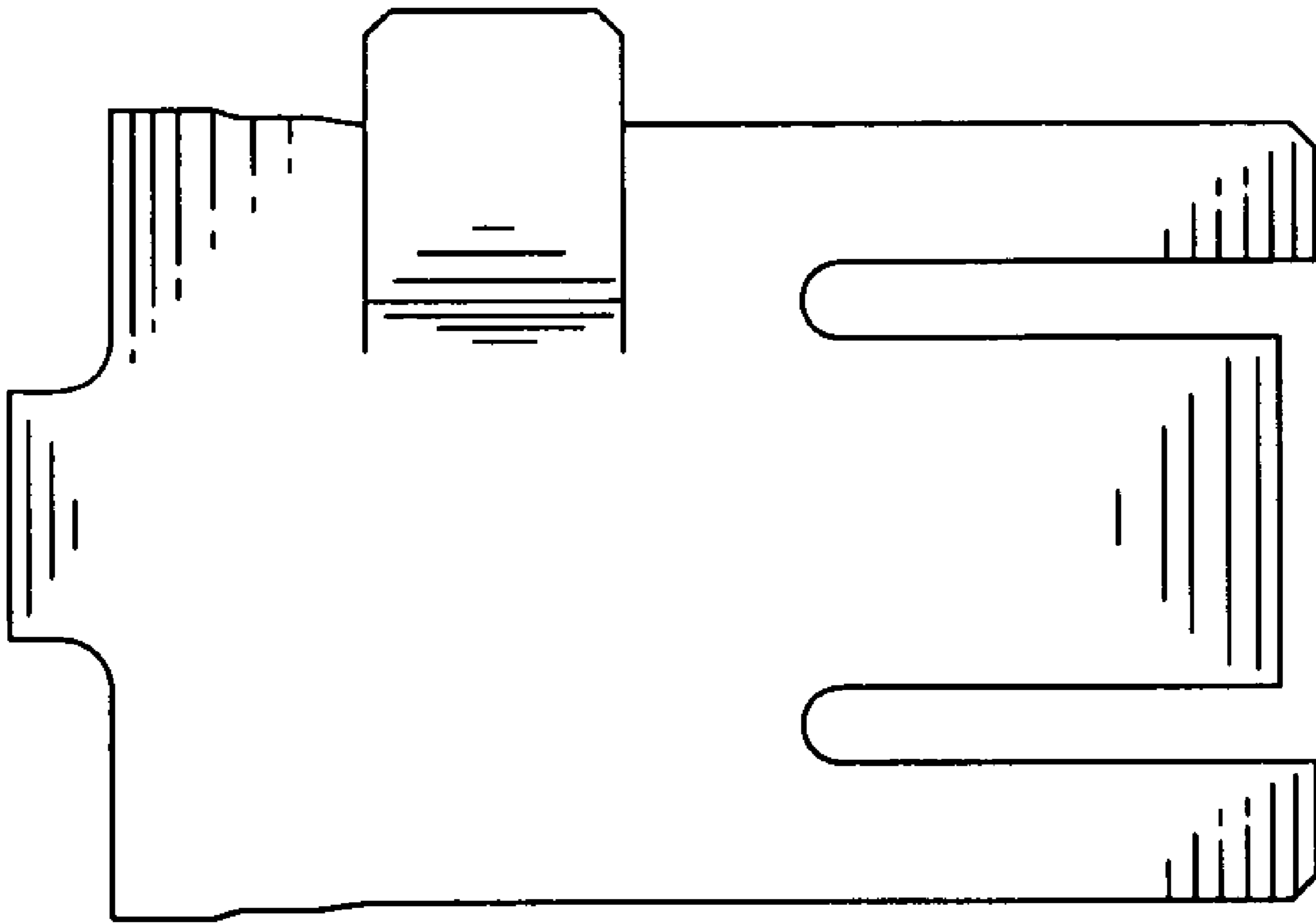


FIG. 4

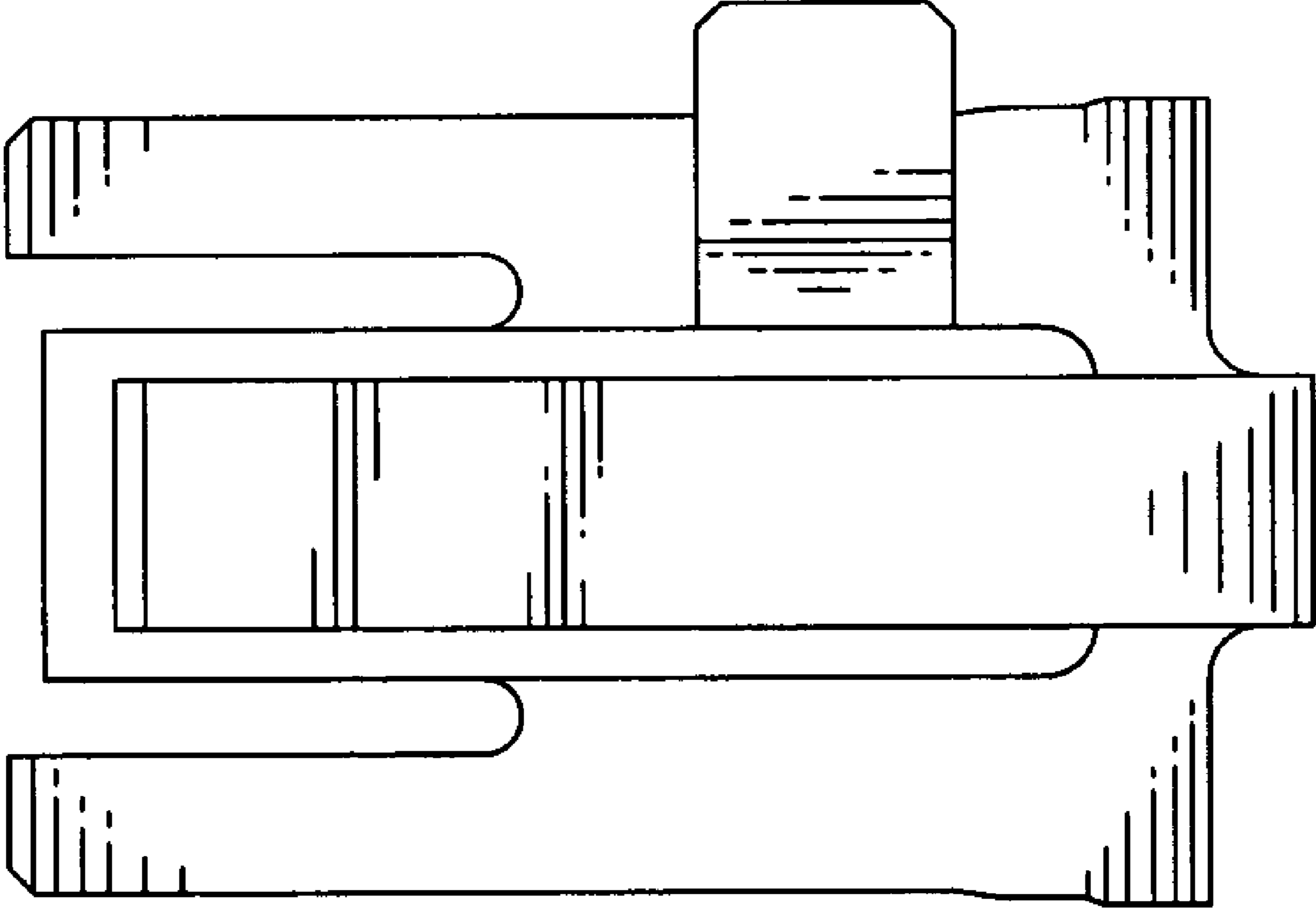


FIG. 5

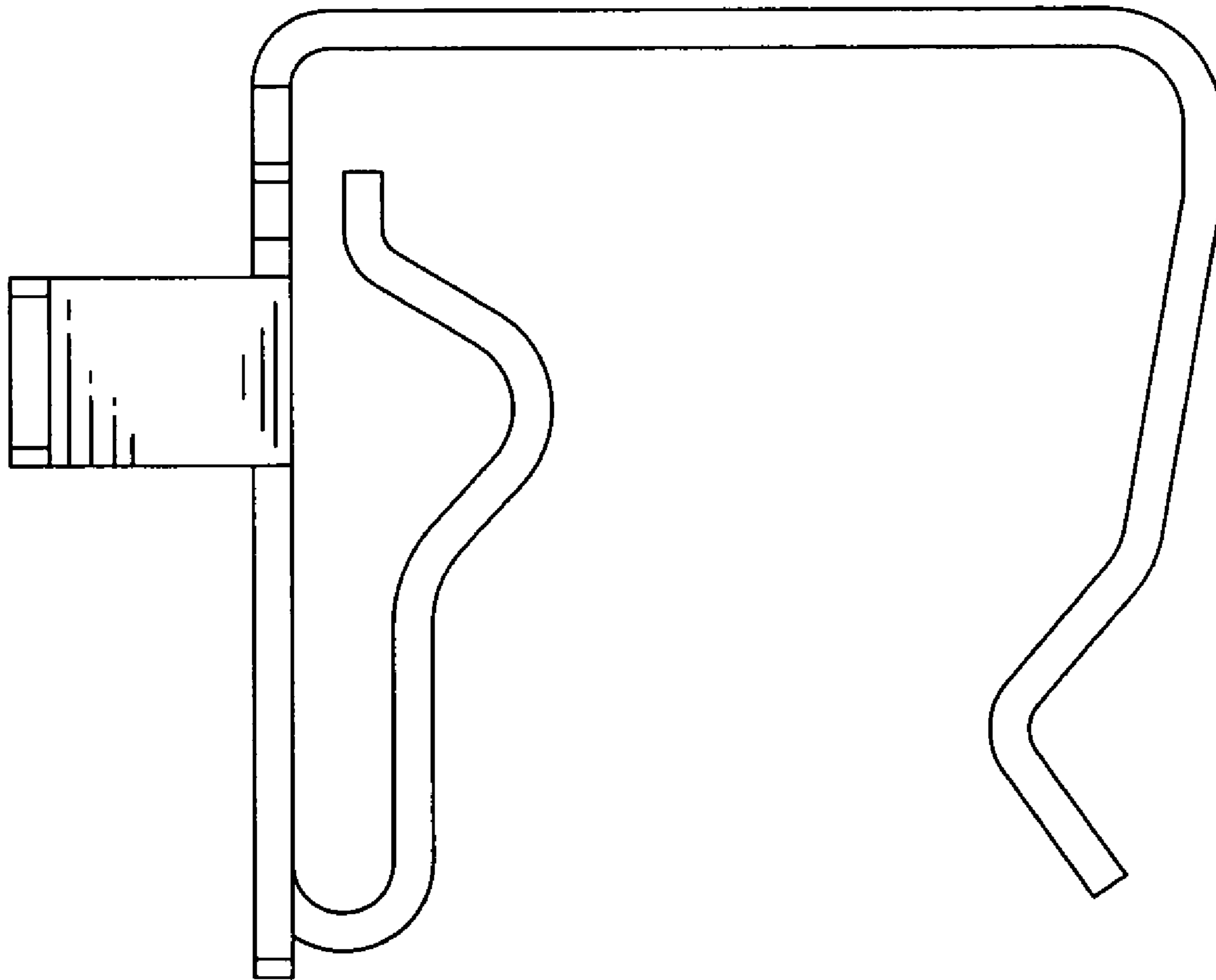


FIG. 6

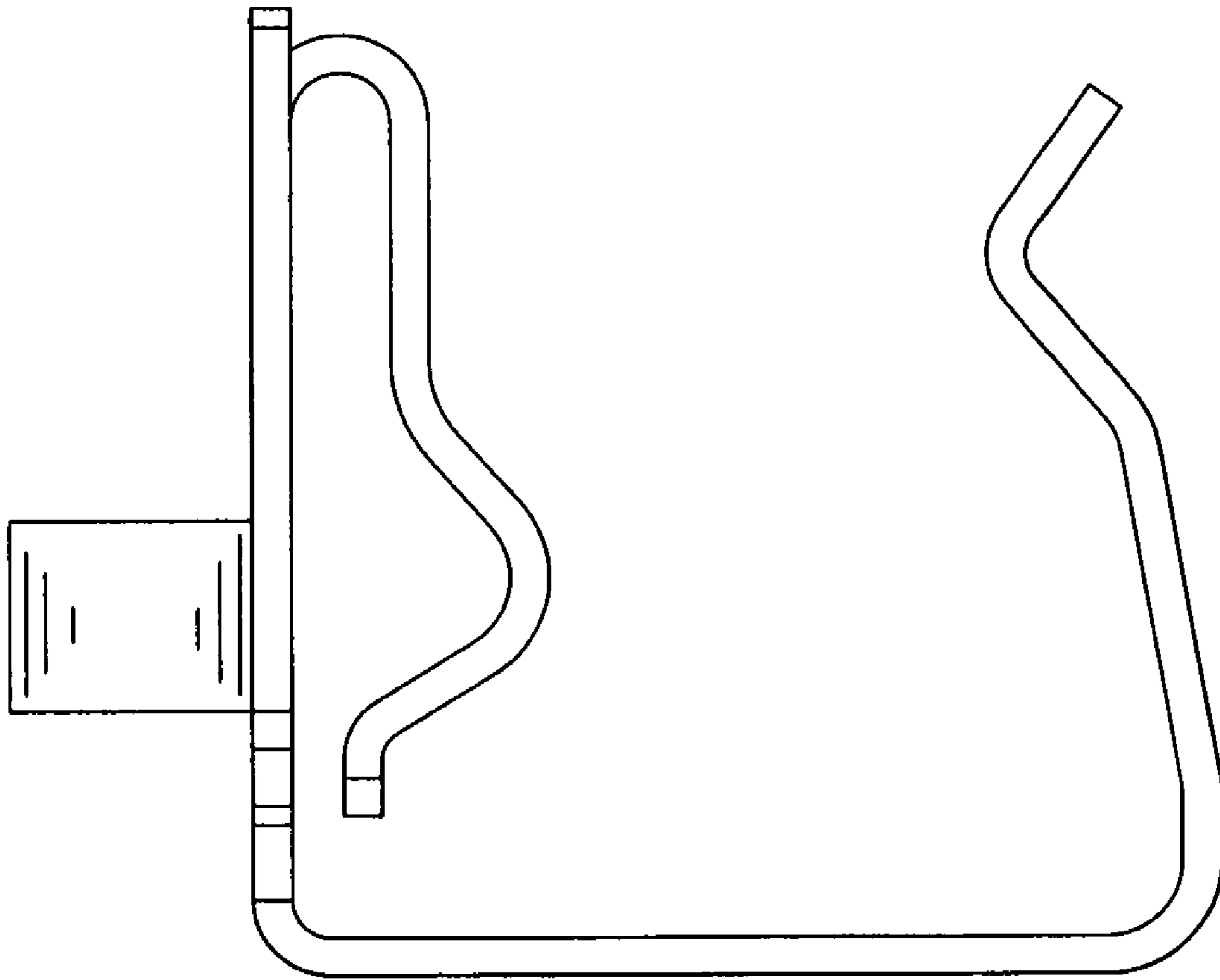


FIG. 7



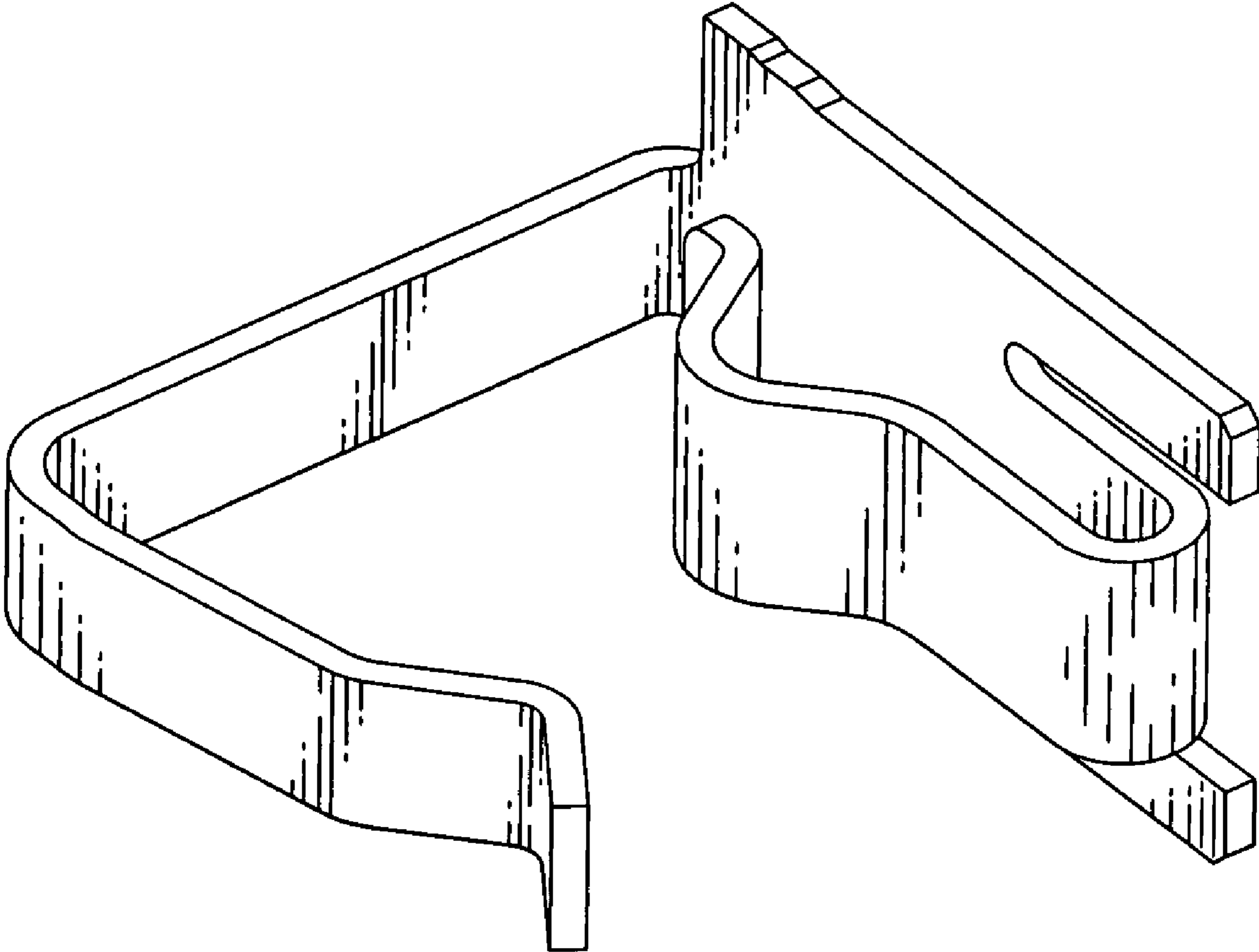


FIG. 8