



US00D608294S

(12) **United States Design Patent**
Shaw

(10) **Patent No.:** **US D608,294 S**
(45) **Date of Patent:** **** *Jan. 19, 2010**

(54) **RINGED NON-COMPRESSED COAXIAL CABLE F-CONNECTOR**

(75) Inventor: **Glen David Shaw**, Conway, AR (US)

(73) Assignee: **DS Engineering, LLC**, North Little Rock, AR (US)

(*) Notice: This patent is subject to a terminal disclaimer.

(**) Term: **14 Years**

(21) Appl. No.: **29/293,341**

(22) Filed: **Nov. 19, 2007**

(51) **LOC (9) Cl.** **13-03**

(52) **U.S. Cl.** **D13/151; D13/133**

(58) **Field of Classification Search** D13/133, D13/149, 153, 154, 156, 184, 199, 151; 439/578, 439/583, 584, 585, 133, 321, 322, 668; 411/7, 411/11; 426/507; 28/828; 307/10.1; 333/81 A
See application file for complete search history.

(56) **References Cited**

U.S. PATENT DOCUMENTS

D148,897 S	3/1948	Ward	
D181,302 S	10/1957	Logan	
3,522,576 A	8/1970	Cairns	
3,686,623 A	8/1972	Nijman	
3,710,005 A	1/1973	French	
D241,341 S	9/1976	Oxley	
4,046,052 A *	9/1977	Nordstrom	411/1
4,593,964 A	6/1986	Forney, Jr.	
4,684,201 A	8/1987	Hutter	
4,746,305 A	5/1988	Nomura	
RE32,787 E	11/1988	Gallusser	
4,834,675 A	5/1989	Samchisen	
4,936,788 A	6/1990	Lin	
D313,222 S	12/1990	Takizawa	
4,990,106 A	2/1991	Szegda	
5,011,422 A	4/1991	Yeh	
5,024,606 A	6/1991	Ming	
5,043,696 A	8/1991	Wang	

5,078,623 A	1/1992	Wang	
5,088,936 A	2/1992	Wang	
5,112,250 A	5/1992	Wang	
D327,872 S	7/1992	McMills	
5,167,525 A	12/1992	Wang	
5,167,536 A	12/1992	Wang	
5,170,067 A *	12/1992	Baum et al.	307/10.1
5,192,226 A	3/1993	Wang	
5,219,299 A	6/1993	Wang	
5,226,838 A	7/1993	Hsu	
D339,568 S	9/1993	Salz	
5,321,207 A	6/1994	Huang	
5,340,325 A	8/1994	Pai	

(Continued)

Primary Examiner—Daniel D Bui
Assistant Examiner—Thomas J Johannes
(74) *Attorney, Agent, or Firm*—Stephen D. Carver

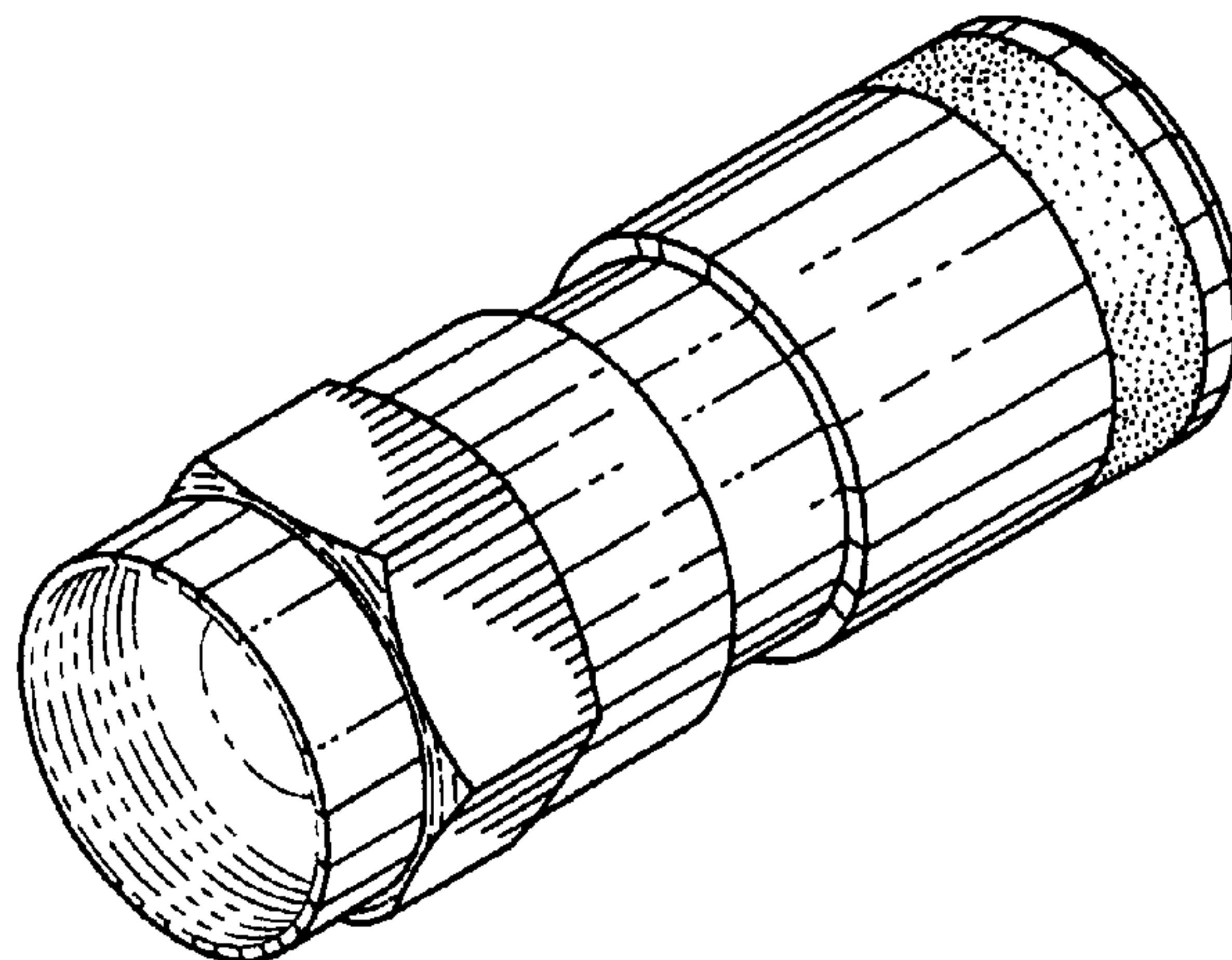
(57) **CLAIM**

The ornamental the design for a ringed non-compressed coaxial cable F-connector, as shown and described.

DESCRIPTION

FIG. 1 is an isometric view of a ringed non-compressed coaxial cable F-connector showing my new design;
FIG. 2 is a side view thereof; the opposite side and the left and right elevation views comprise mirror images thereof;
FIG. 3 is a front end view of thereof; and,
FIG. 4 is a rear end view thereof.
The internal features shown in dot-dot-dash broken lines appearing in the front and rear end views of FIGS. 3 and 4, respectively, represent unclaimed subject matter and form no part of the claimed design.

1 Claim, 2 Drawing Sheets



US D608,294 S

U.S. PATENT DOCUMENTS					
5,383,798 A	1/1995	Lin	6,767,249 B1	7/2004	Li
5,387,116 A	2/1995	Wang	6,769,926 B1	8/2004	Montena
5,387,127 A	2/1995	Wang	6,776,650 B2	8/2004	Cheng
5,389,012 A	2/1995	Huang	6,776,657 B1	8/2004	Hung
5,397,252 A	3/1995	Wang	6,776,665 B2	8/2004	Huang
5,413,502 A	5/1995	Wang	6,780,052 B2	8/2004	Montena
5,430,618 A	7/1995	Huang	6,789,653 B1	9/2004	Hsu
5,438,251 A	8/1995	Chen	6,793,526 B1	9/2004	Hsu
5,456,614 A *	10/1995	Szegda 439/321	6,799,995 B2	10/2004	Hsu
5,470,257 A	11/1995	Szegda	6,817,897 B2	11/2004	Chee
5,478,258 A	12/1995	Wang	6,848,940 B2	2/2005	Montena
5,498,175 A	3/1996	Yeh	6,860,751 B1	3/2005	Huang
5,499,934 A *	3/1996	Jacobsen et al. 439/585	D503,685 S	4/2005	Montena
5,599,198 A	2/1997	Wang	D504,113 S	4/2005	Montena
5,613,880 A	3/1997	Wang	D504,114 S	4/2005	Montena
5,632,651 A	5/1997	Szegda	D504,402 S	4/2005	Montena
5,667,409 A	9/1997	Wong	6,881,075 B2	4/2005	Huang
5,683,263 A	11/1997	Hsu	6,884,113 B1	4/2005	Montena
5,702,261 A	12/1997	Wang	D505,391 S	5/2005	Rodrigues
5,723,818 A	3/1998	Yeh	6,887,090 B2	5/2005	Lin
5,730,621 A	3/1998	Wang	D506,446 S	6/2005	Montena
5,803,757 A	9/1998	Wang	6,908,337 B1	6/2005	Li
5,820,408 A	10/1998	Wang	6,910,919 B1	6/2005	Hung
5,863,226 A	1/1999	Lan	D507,242 S	7/2005	Montena
5,879,166 A	3/1999	Wang	6,929,501 B2	8/2005	Huang
5,924,889 A	7/1999	Wang	6,929,507 B2	8/2005	Lin
5,934,137 A	8/1999	Tarpill	6,935,874 B1	8/2005	Fang
5,951,319 A	9/1999	Lin	6,935,878 B2	8/2005	Hsu
5,957,730 A	9/1999	Wang	6,948,969 B2	9/2005	Huang
5,964,623 A *	10/1999	Maher et al. 439/668	6,948,973 B1	9/2005	Hsu
5,975,949 A	11/1999	Holliday	6,951,469 B1	10/2005	Lin
5,980,308 A	11/1999	Hu	6,956,464 B2	10/2005	Wang
6,024,588 A	2/2000	Hsu	D511,497 S	11/2005	Murphy
6,065,976 A	5/2000	Wang	D511,498 S	11/2005	Holliday
6,095,869 A	8/2000	Wang	D512,024 S	11/2005	Murphy
6,113,431 A	9/2000	Wong	D512,689 S	12/2005	Murphy
6,139,344 A	10/2000	Wang	D513,406 S	1/2006	Rodrigues
6,146,197 A	11/2000	Holliday	D513,736 S	1/2006	Fox
6,153,830 A	11/2000	Montena	D514,071 S	1/2006	Vahey
6,159,046 A	12/2000	Wong	D515,037 S	2/2006	Fox
D436,076 S	1/2001	Montena	7,001,204 B1	2/2006	Lin
6,179,656 B1	1/2001	Wong	7,004,765 B2	2/2006	Hsu
D437,826 S	2/2001	Montena	7,004,777 B2	2/2006	Lien et al.
D440,539 S	4/2001	Montena	D517,018 S *	3/2006	Montena D13/151
D440,939 S	4/2001	Montena	D517,496 S *	3/2006	Montena D13/151
6,234,838 B1	5/2001	Wong	D518,772 S	4/2006	Fox
6,276,970 B1	8/2001	Wong	D519,076 S	4/2006	Fox
6,287,148 B1	9/2001	Huang	D519,451 S	4/2006	Fox
6,386,912 B1	5/2002	Li	D519,452 S	4/2006	Rodrigues
6,390,840 B1	5/2002	Wang	D519,453 S	4/2006	Rodrigues
D458,904 S	6/2002	Montena	D519,463 S	4/2006	Tamezane
D460,739 S	7/2002	Fox	7,021,965 B1	4/2006	Montena
D461,166 S	8/2002	Montena	D521,454 S	5/2006	Murphy
D461,167 S	8/2002	Montena	D521,930 S	5/2006	Fox
D461,778 S	8/2002	Fox	7,063,551 B1	6/2006	Lin
D462,058 S	8/2002	Montena	D535,259 S	1/2007	Rodrigues
D462,060 S	8/2002	Fox	7,192,308 B2	3/2007	Rodrigues
D462,327 S	9/2002	Montena	D543,948 S	6/2007	Montena
6,478,599 B1	11/2002	McHugh et al.	D544,837 S	6/2007	Disbennett
6,478,618 B2	11/2002	Wong	7,241,172 B2	7/2007	Rodrigues
D468,696 S	1/2003	Montena	D553,081 S *	10/2007	Victor D13/133
6,530,807 B2	3/2003	Rodrigues	7,354,307 B2 *	4/2008	Chee et al. 439/584
6,558,194 B2	5/2003	Montena	D588,991 S *	3/2009	Holliday D13/151
D475,975 S	6/2003	Fox	2002/0013088 A1 *	1/2002	Rodrigues et al. 439/578
D475,976 S	6/2003	Montena	2002/0146935 A1	10/2002	Wong
D475,977 S	6/2003	Montena	2003/0092319 A1	5/2003	Hung
6,676,443 B1	1/2004	Wang	2003/0194902 A1	10/2003	Huang
6,716,062 B1	4/2004	Palinkas	2003/0236027 A1	12/2003	Wang
6,733,336 B1	5/2004	Montena	2004/0053533 A1	3/2004	Huang
6,767,247 B2	7/2004	Rodrigues	2004/0067688 A1	4/2004	Cheng
6,767,248 B1	7/2004	Hung	2004/0102095 A1	5/2004	Huang
			2004/0110416 A1 *	6/2004	Montena et al. 439/578
			2004/0147164 A1	7/2004	Li

US D608,294 S

Page 3

2004/0171297	A1	9/2004	Hsu	2005/0186853	A1	8/2005	Hsu
2004/0171315	A1	9/2004	Liao	2005/0202690	A1	9/2005	Lien
2004/0224556	A1	11/2004	Qin	2005/0202699	A1	9/2005	Fang et al.
2005/0009379	A1	1/2005	Huang	2005/0233632	A1	10/2005	Hsu
2005/0020121	A1	1/2005	Lin	2005/0250357	A1	11/2005	Chen
2005/0032410	A1	2/2005	Huang	2005/0260894	A1	11/2005	Chen
2005/0070145	A1	3/2005	Huang	2006/0094300	A1	5/2006	Hsu
2005/0075012	A1	4/2005	Hsu	2006/0121753	A1	6/2006	Chiang
2005/0136735	A1*	6/2005	Rodrigues et al. 439/578	2006/0121763	A1	6/2006	Chiang
2005/0153587	A1	7/2005	Hsu	2006/0123625	A1*	6/2006	Montena 29/828
2005/0159030	A1	7/2005	Hsu	2007/0042642	A1*	2/2007	Montena et al. 439/578
2005/0186852	A1	8/2005	Hsu				

* cited by examiner

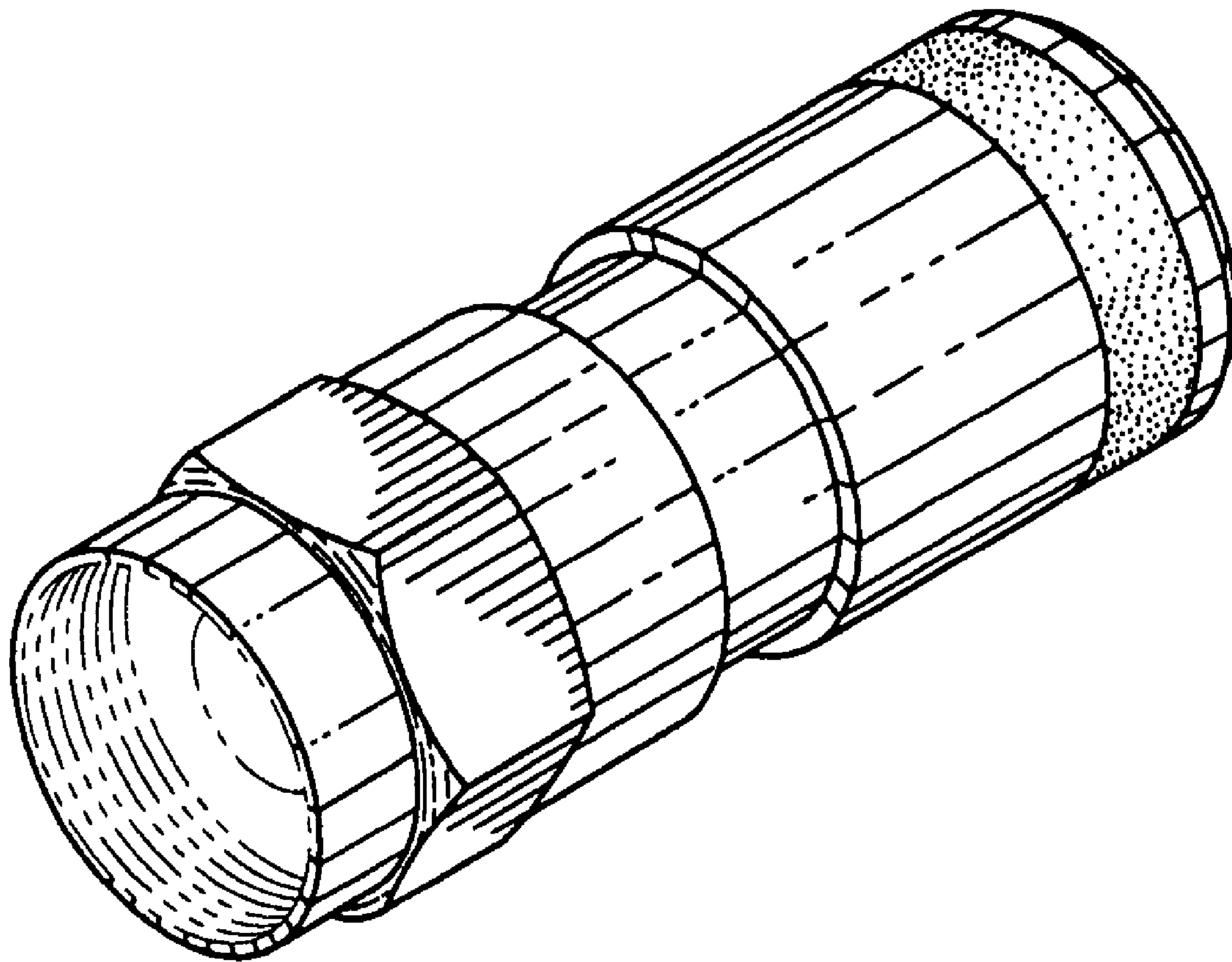


Fig. 1

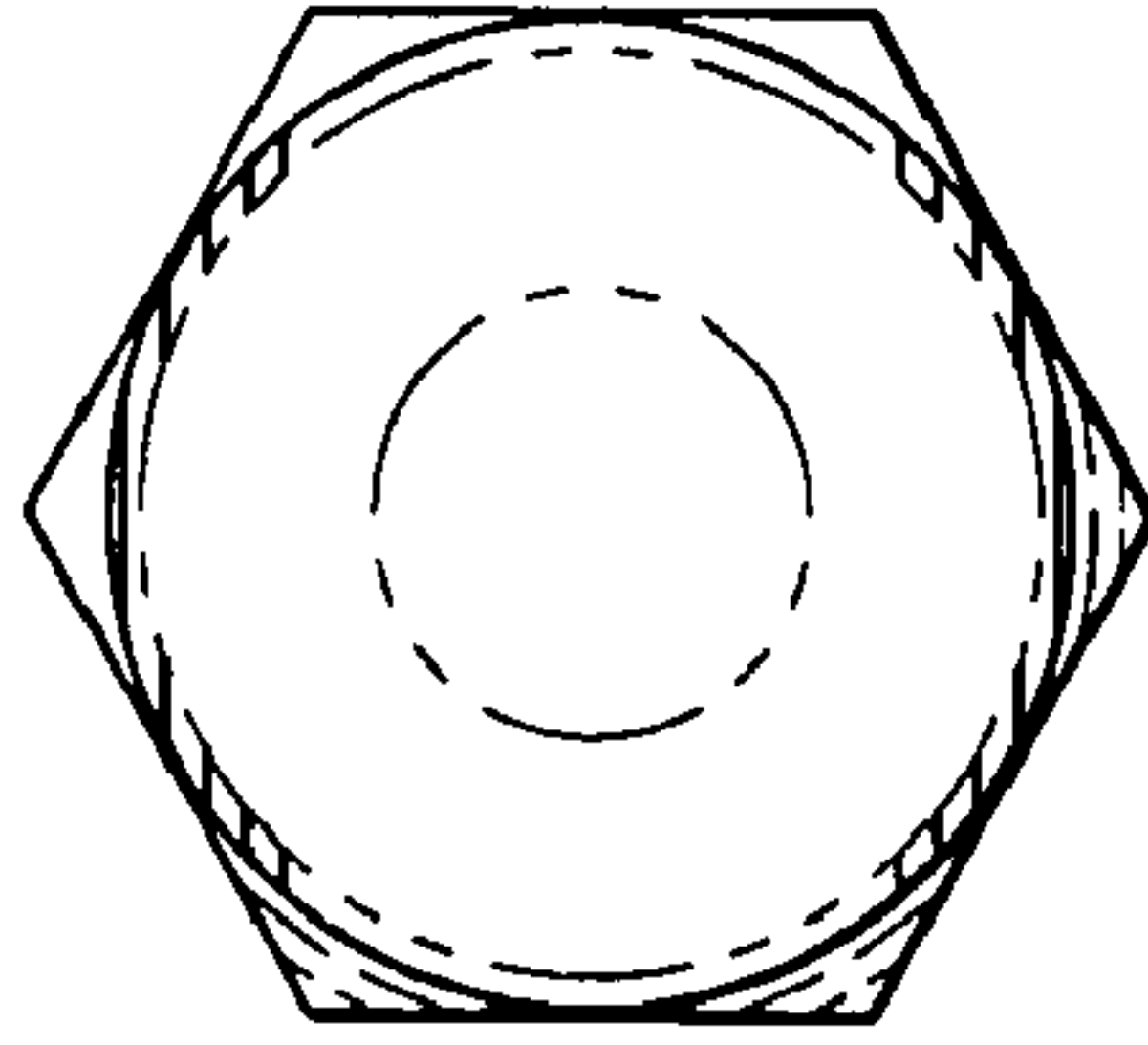


Fig. 3

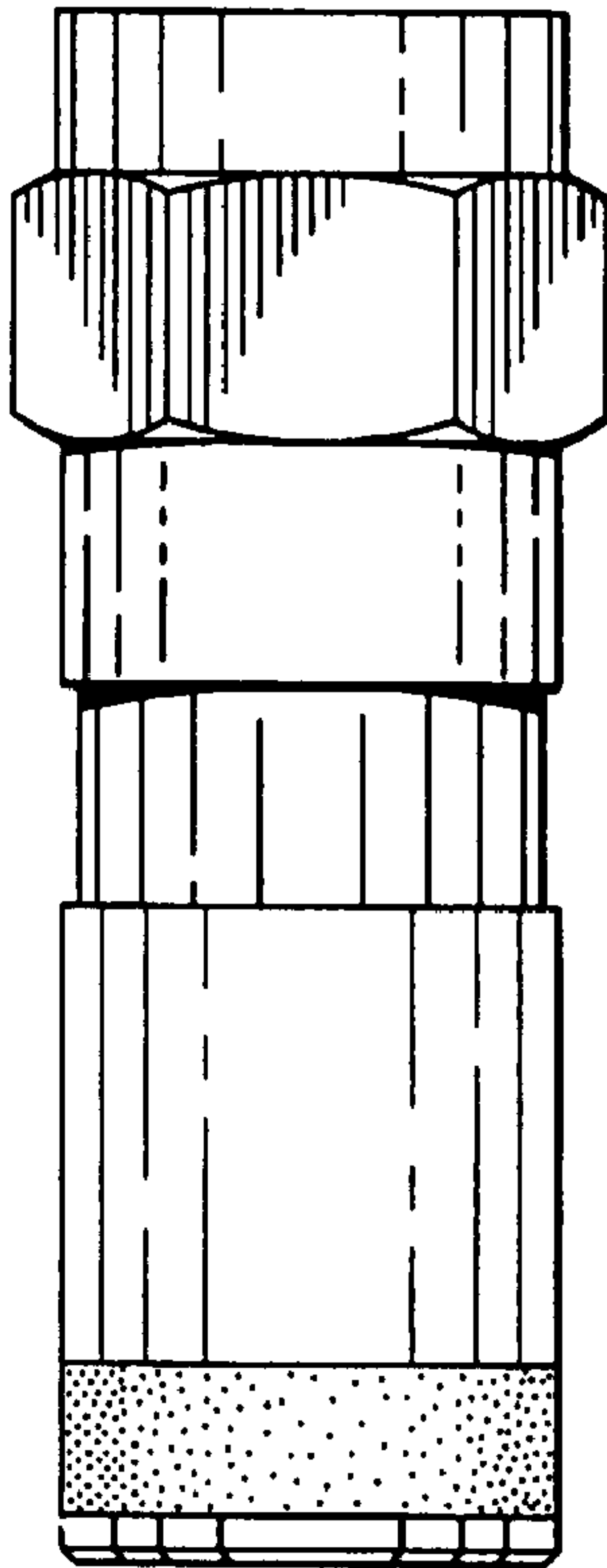


Fig. 2

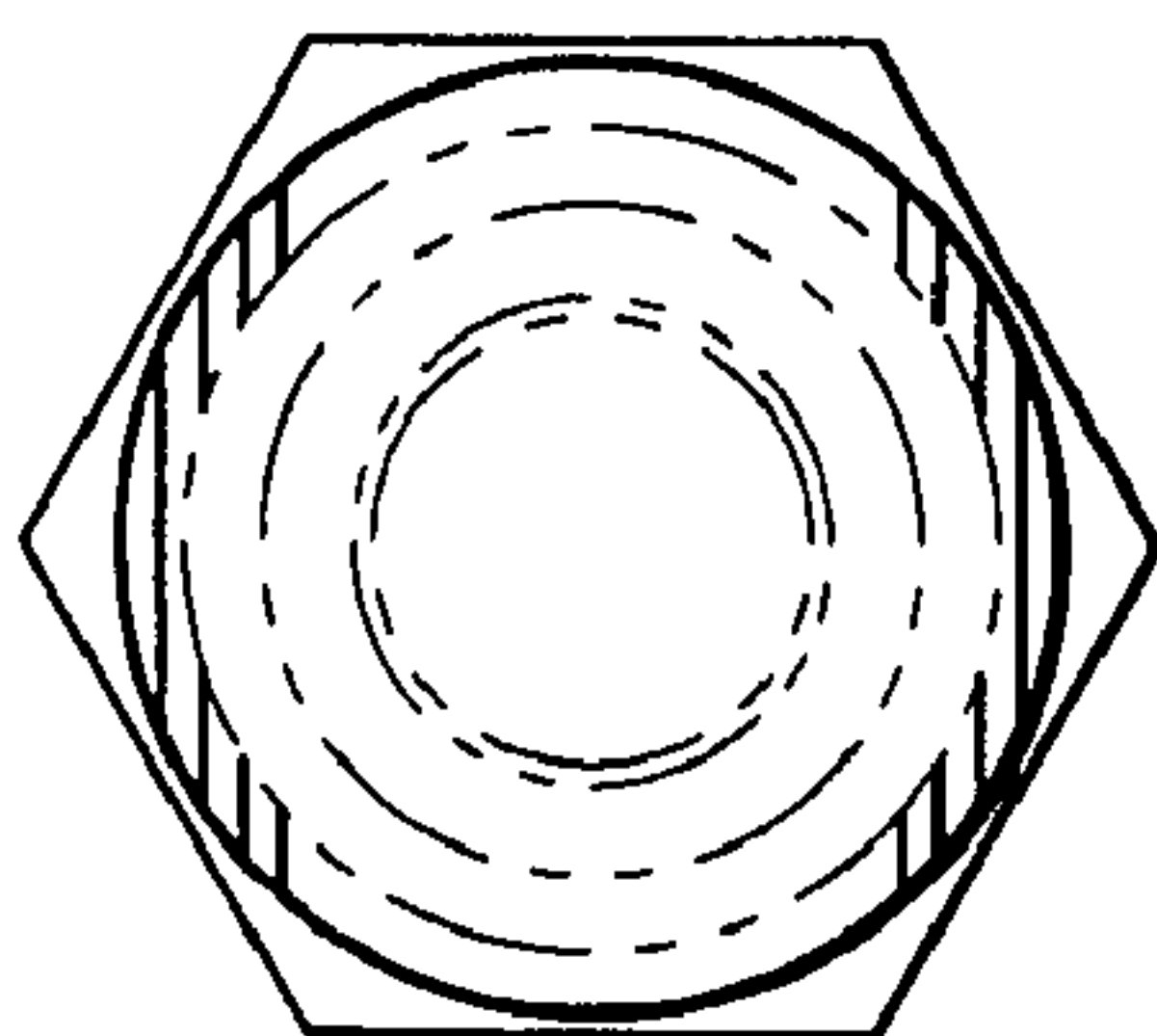


Fig. 4