



US00D608292S

(12) **United States Design Patent**  
**Stütz**

(10) **Patent No.:** **US D608,292 S**

(45) **Date of Patent:** **\*\* Jan. 19, 2010**

(54) **ELECTRICAL CONNECTOR**

(75) Inventor: **Oliver Stütz**, Munich (DE)

(73) Assignee: **Campagnie Deutsch GmbH**,  
Martinsried (DE)

(\*\*) Term: **14 Years**

(21) Appl. No.: **29/330,740**

(22) Filed: **Jan. 13, 2009**

(51) **LOC (9) Cl.** ..... **13-03**

(52) **U.S. Cl.** ..... **D13/147**

(58) **Field of Classification Search** ..... D13/133,  
D13/146-147, 154, 182, 184; 439/137, 146,  
439/180, 266, 377-378, 540.1, 541.5, 908,  
439/607-610

See application file for complete search history.

(56) **References Cited**

**U.S. PATENT DOCUMENTS**

D206,327 S \* 11/1966 Keys ..... D13/182  
D316,848 S \* 5/1991 Hasegawa et al. .... D13/182  
D540,258 S \* 4/2007 Peng et al. .... D13/147  
D589,012 S \* 3/2009 Soyano et al. .... D13/182

\* cited by examiner

*Primary Examiner*—Daniel D Bui

(74) *Attorney, Agent, or Firm*—Quarles & Brady LLP

(57) **CLAIM**

The ornamental design for an electrical connector, as shown and described.

**DESCRIPTION**

In a preferred embodiment, the electrical connector is a fitting of an electrical and electronic system of automobiles by means of cable harnesses, and the like.

FIG. 1 is a top perspective view of an electrical connector showing my new design;

FIG. 2 is a bottom perspective view thereof;

FIG. 3 is a right side elevational view of an electrical connector showing my new design;

FIG. 4 is a left side elevational view thereof;

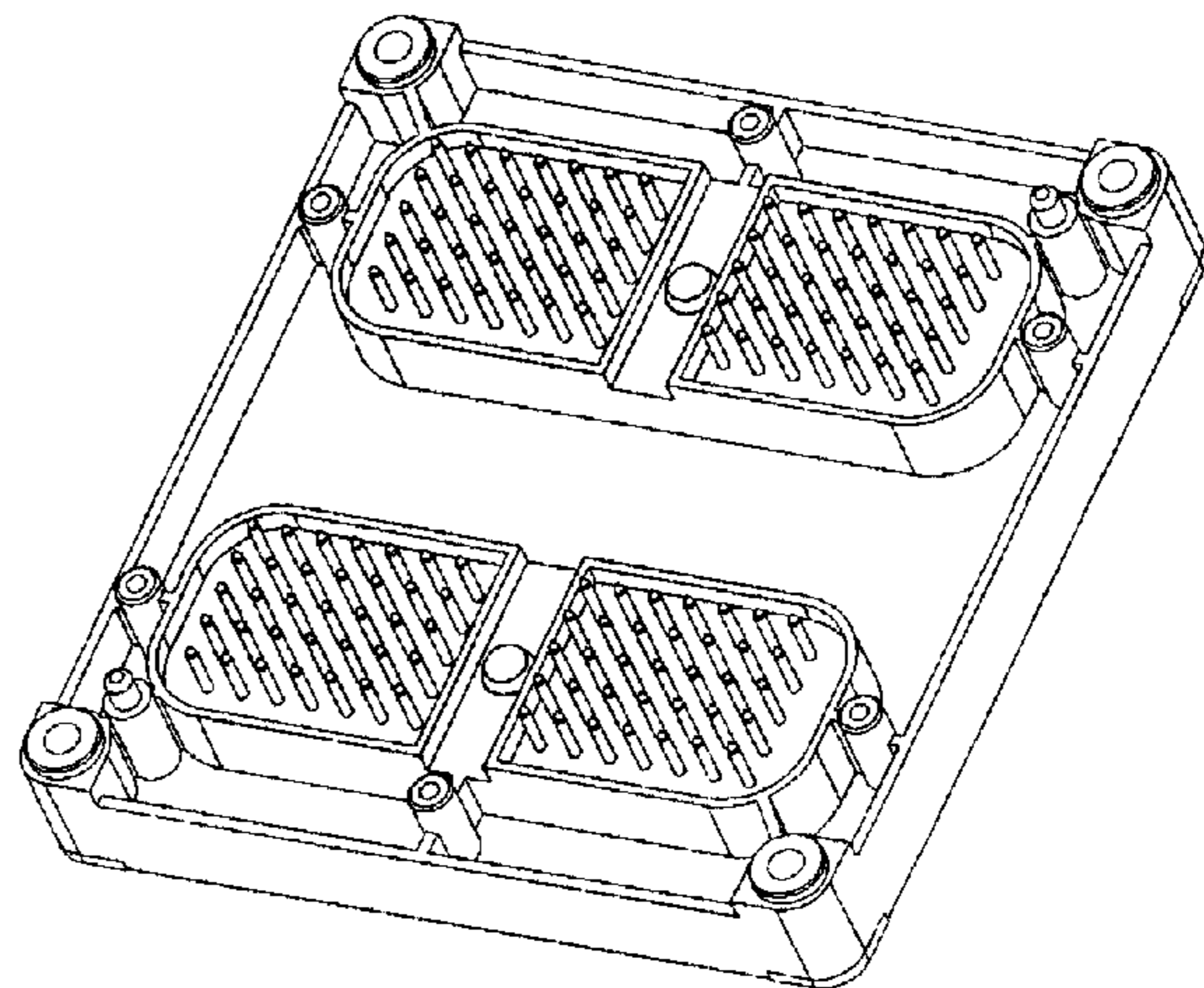
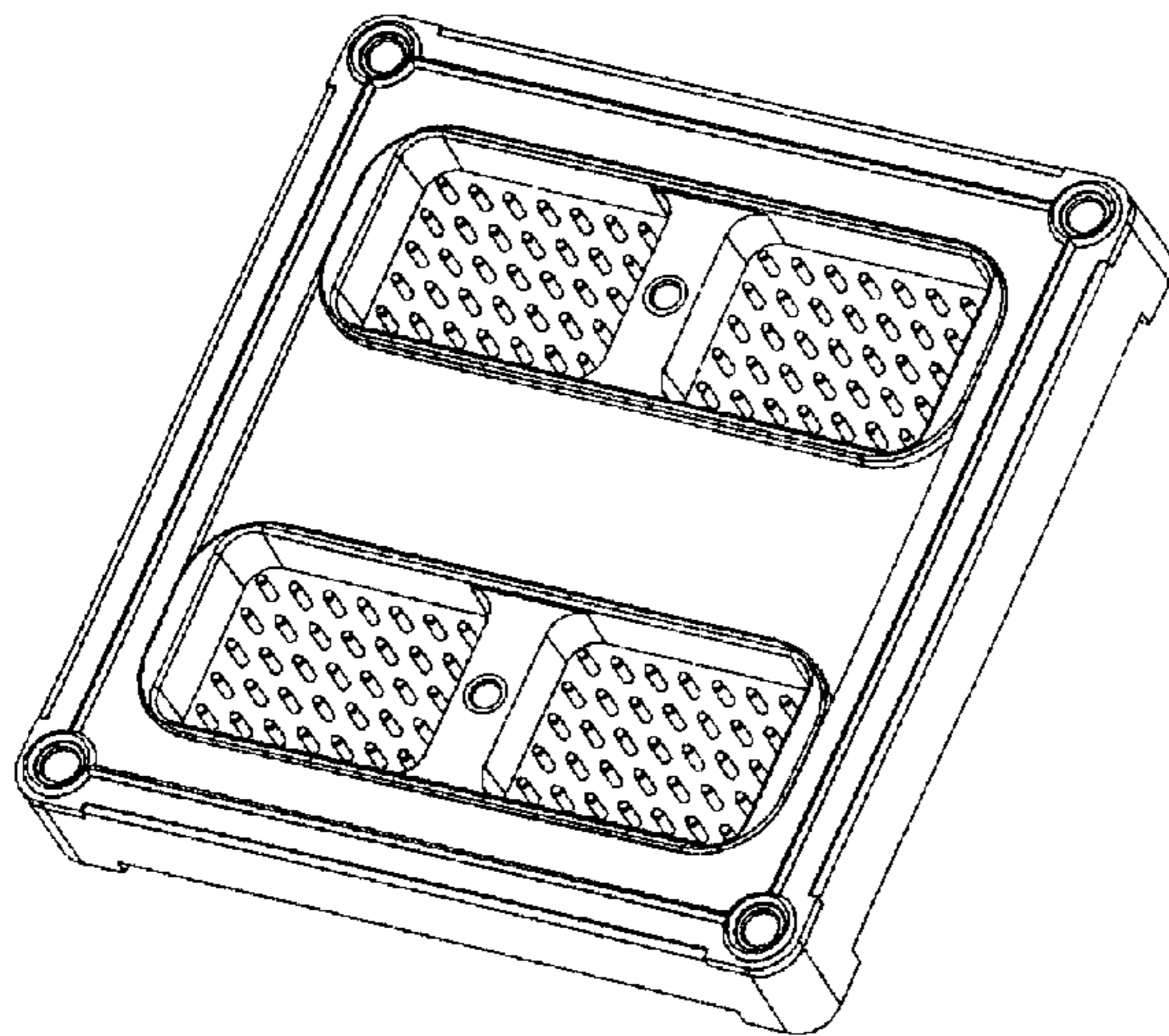
FIG. 5 is a rear elevational view thereof;

FIG. 6 is a front elevational view thereof;

FIG. 7 is a bottom view thereof; and,

FIG. 8 is a top view thereof.

**1 Claim, 8 Drawing Sheets**



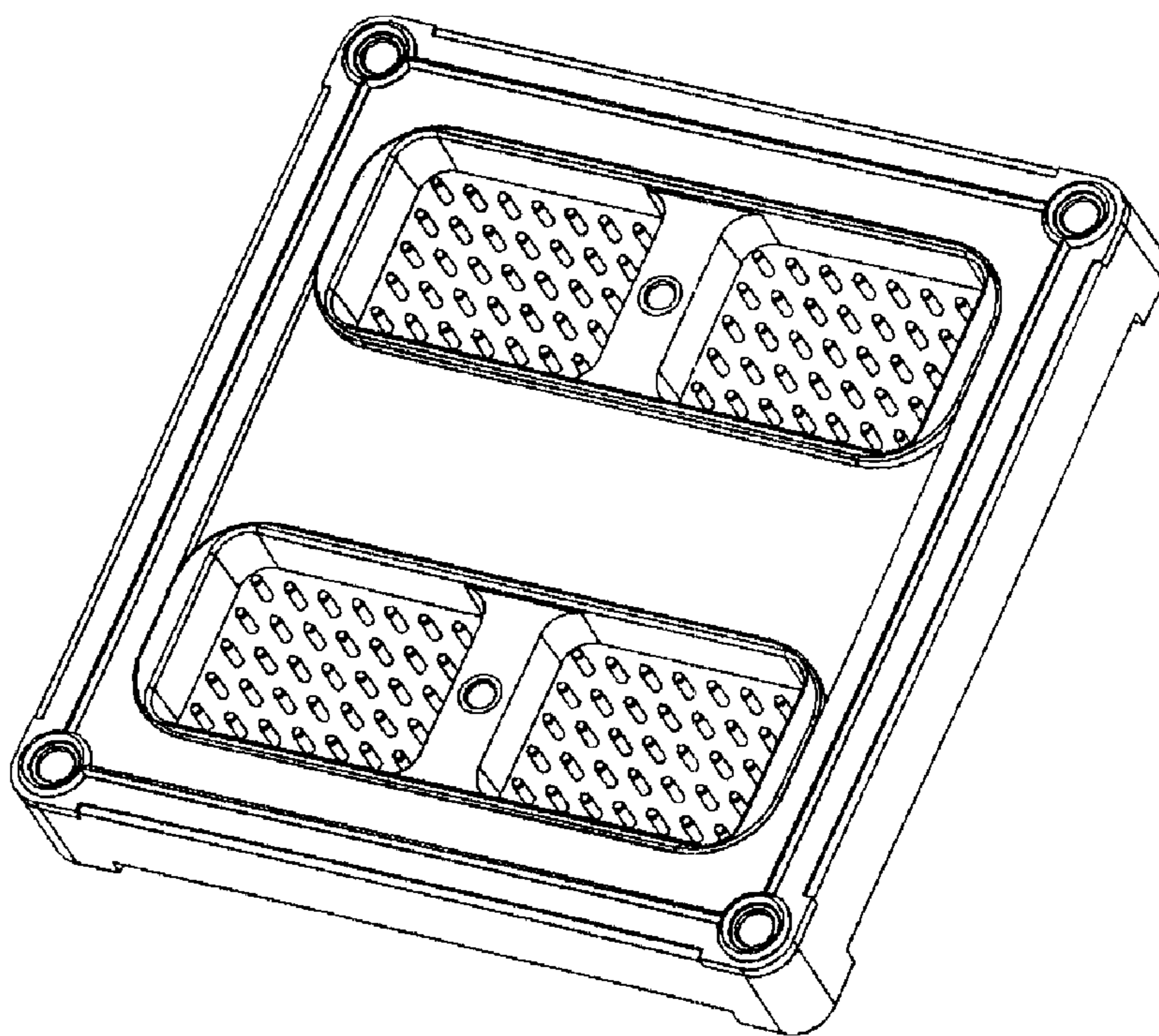


Fig. 1

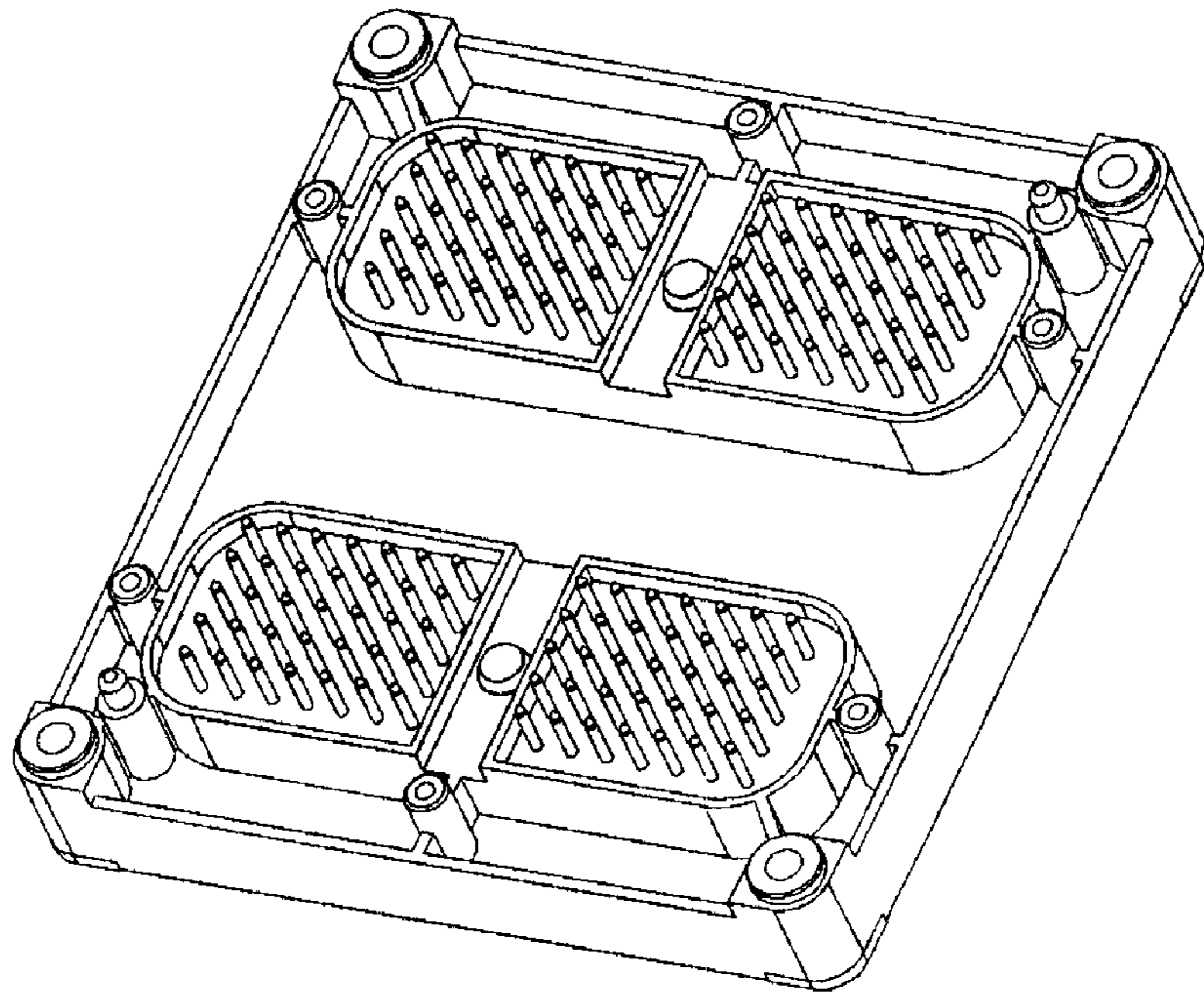


Fig. 2

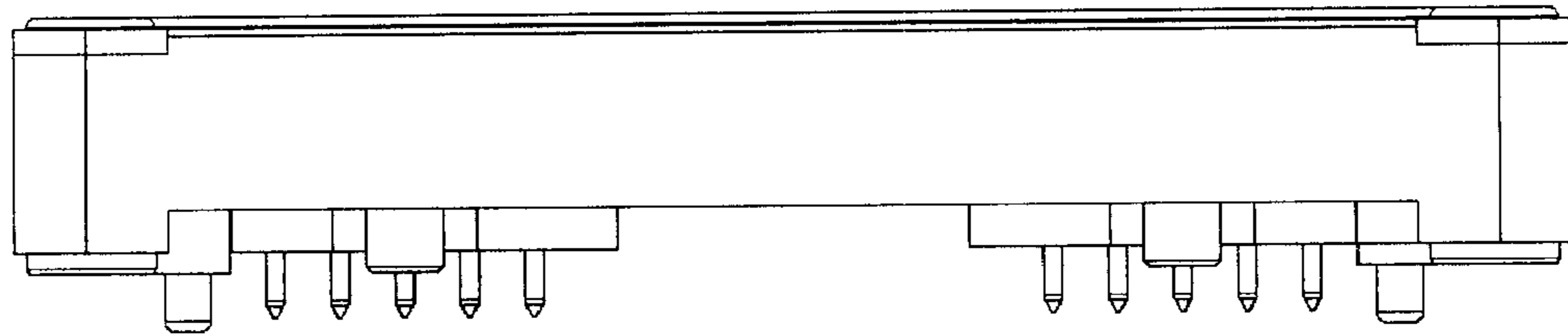


Fig. 3

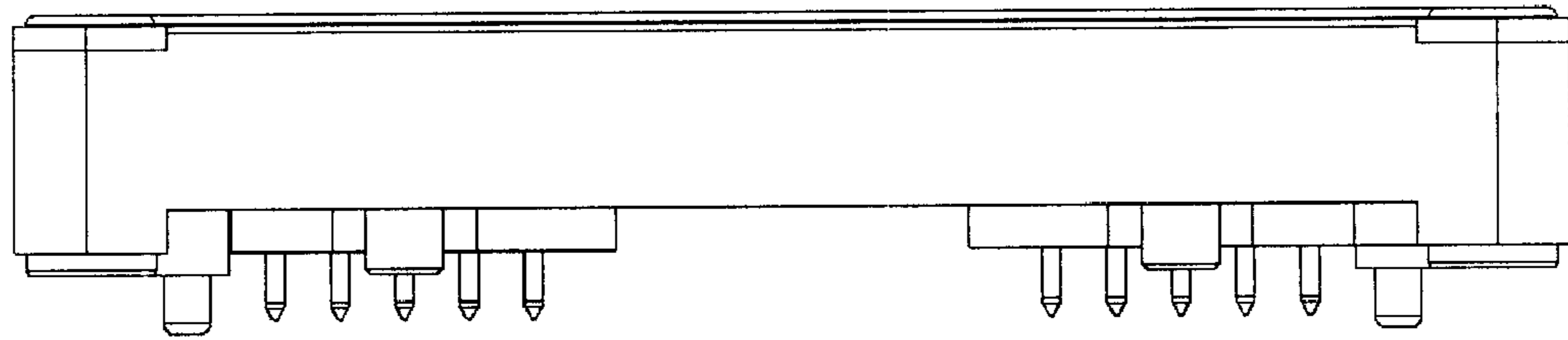


Fig. 4

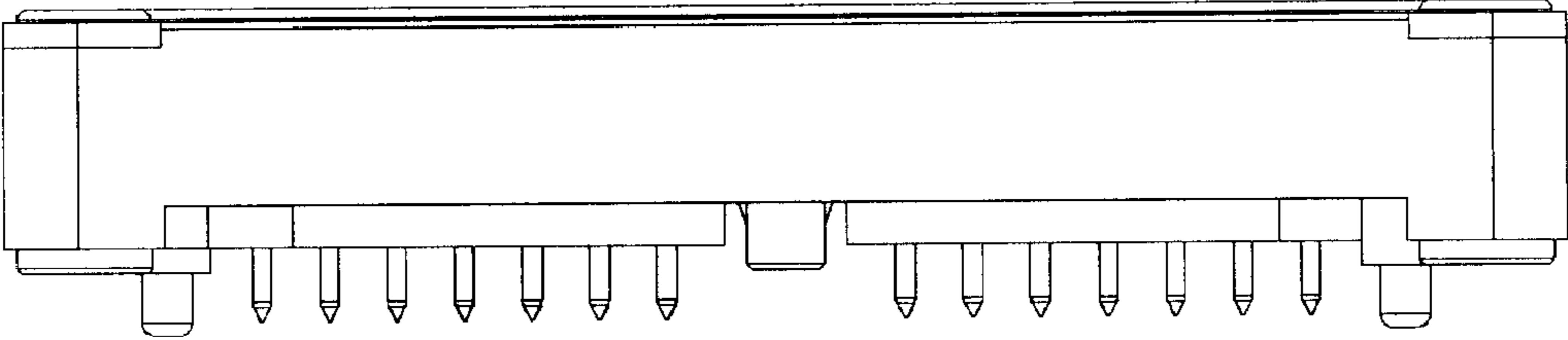


Fig. 5

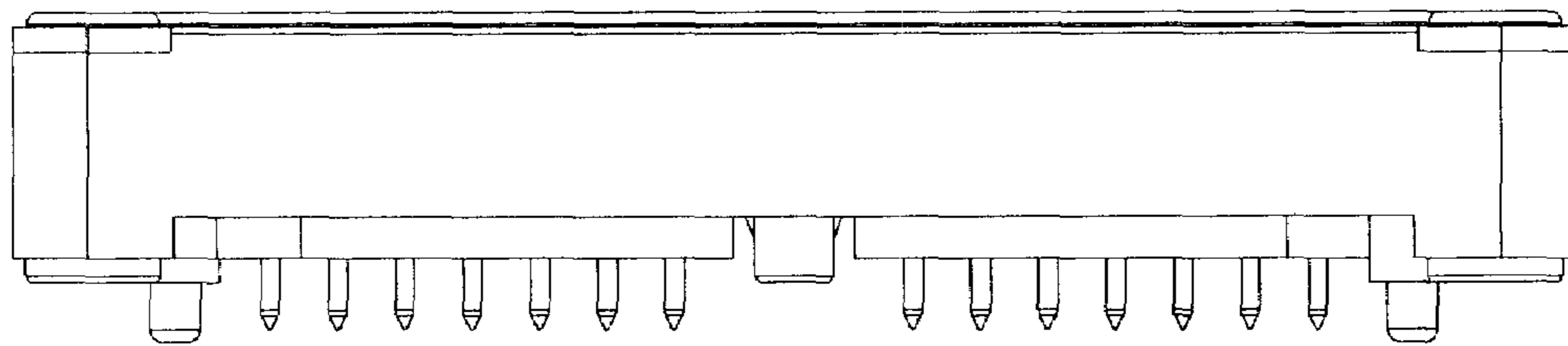


Fig. 6

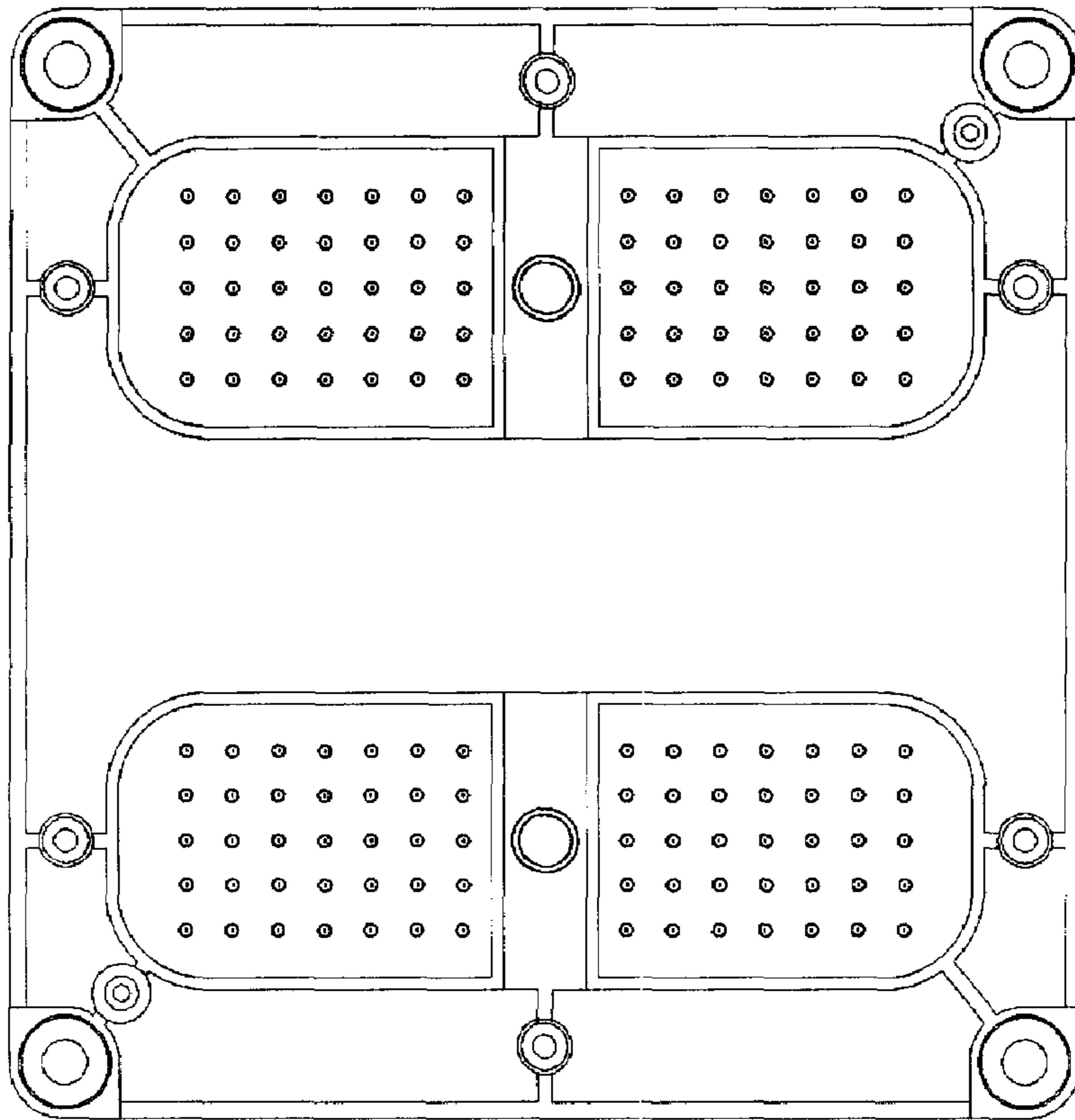


Fig. 7



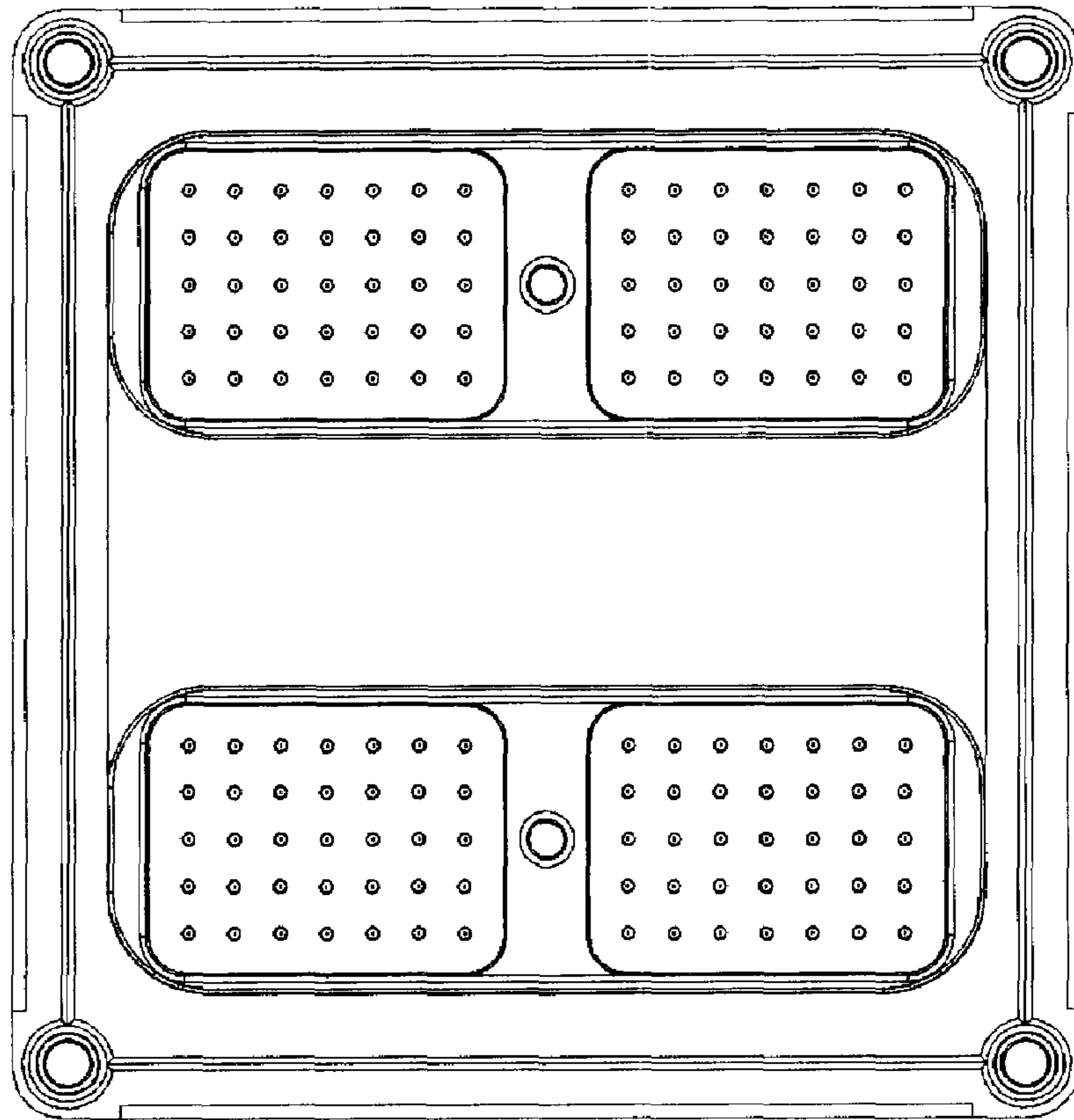


Fig. 8