



US00D608291S

(12) **United States Design Patent**
Ikari

(10) **Patent No.:** **US D608,291 S**
(45) **Date of Patent:** **** Jan. 19, 2010**

(54) **ELECTRICAL CONNECTOR**

(75) Inventor: **Hiroharu Ikari**, Kanagawa (JP)

(73) Assignee: **I-PEX Co., Ltd.** (JP)

(**) Term: **14 Years**

(21) Appl. No.: **29/321,239**

(22) Filed: **Jul. 14, 2008**

(30) **Foreign Application Priority Data**

Apr. 21, 2008 (JP) 2008-10151

(51) **LOC (9) Cl.** **13-03**

(52) **U.S. Cl.** **D13/147**

(58) **Field of Classification Search** D13/133,
D13/146-147, 153, 154, 184; 439/260, 329,
439/395, 422, 492-499

See application file for complete search history.

(56) **References Cited**

U.S. PATENT DOCUMENTS

D444,130 S * 6/2001 Hayashi et al. D13/147
D456,777 S * 5/2002 Igarashi D13/147
D457,138 S * 5/2002 Igarashi D13/147
D541,750 S * 5/2007 Yoshikai D13/147

FOREIGN PATENT DOCUMENTS

JP D1232431 1/2005
JP D1234525 2/2005

* cited by examiner

Primary Examiner—Daniel D Bui
(74) *Attorney, Agent, or Firm*—Studebaker & Brackett PC;
Donald R. Studebaker

(57) **CLAIM**

The ornamental design for an electrical connector, as shown and described.

DESCRIPTION

FIG. 1 is a top plan view of an electrical connector, showing my new design;

FIG. 2 is a bottom plan view thereof;

FIG. 3 is a front elevation view thereof;

FIG. 4 is a rear elevation view thereof;

FIG. 5 is a right side view thereof, the left side view thereof is a mirror image thereto;

FIG. 6 is a front, top and left side perspective view thereof;

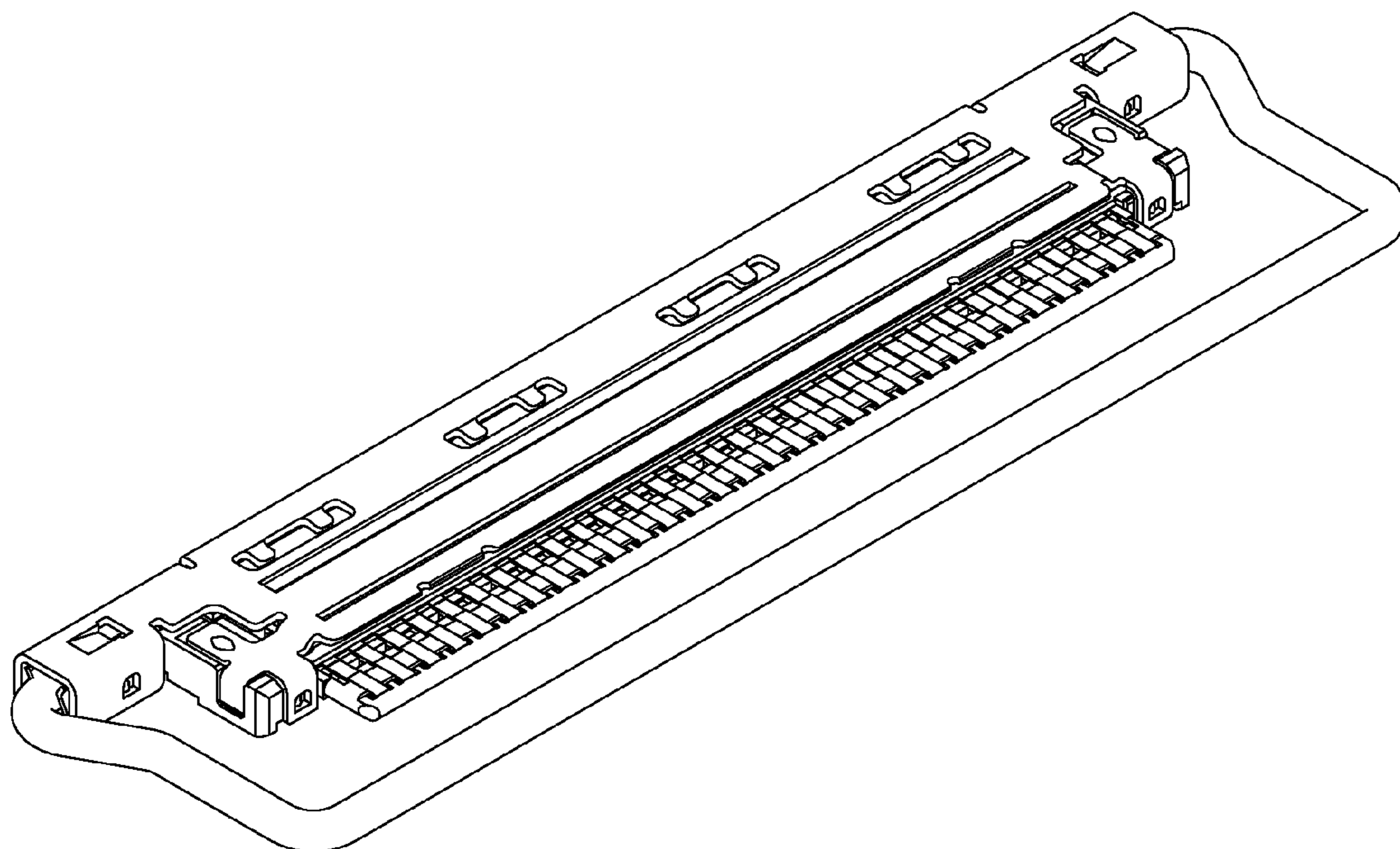
FIG. 7 is a front, top and left side perspective view thereof, in use condition.

FIG. 8 is a front, top and right side perspective view thereof, in use condition; and,

FIG. 9 is another front, top and right side perspective view thereof, in use condition.

The broken line portion in the figure drawing views is included to show unclaimed environmental structure only and forms no part of the claimed design.

1 Claim, 6 Drawing Sheets



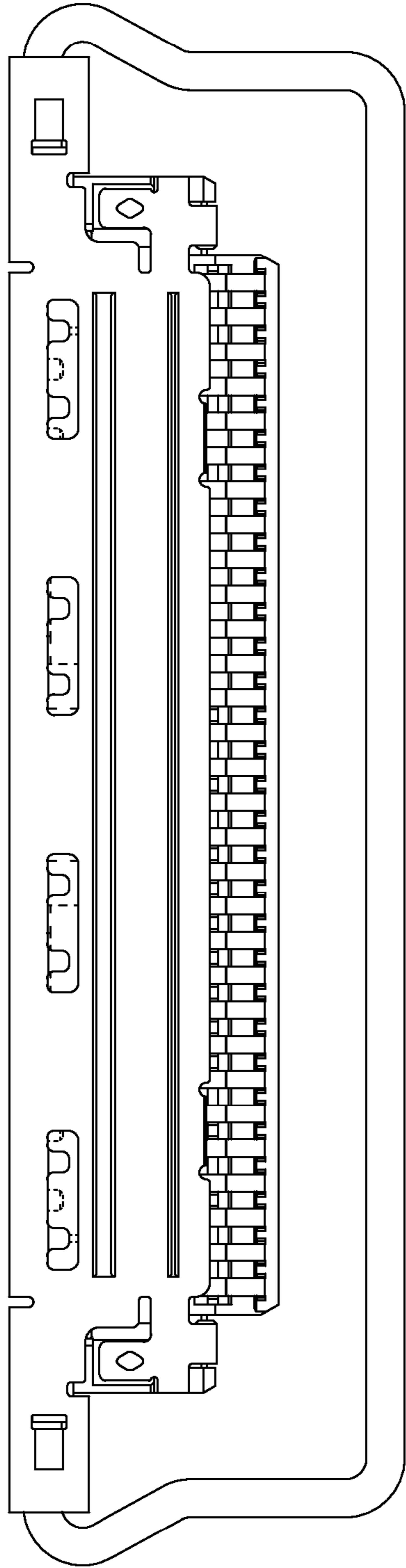


FIG. 1

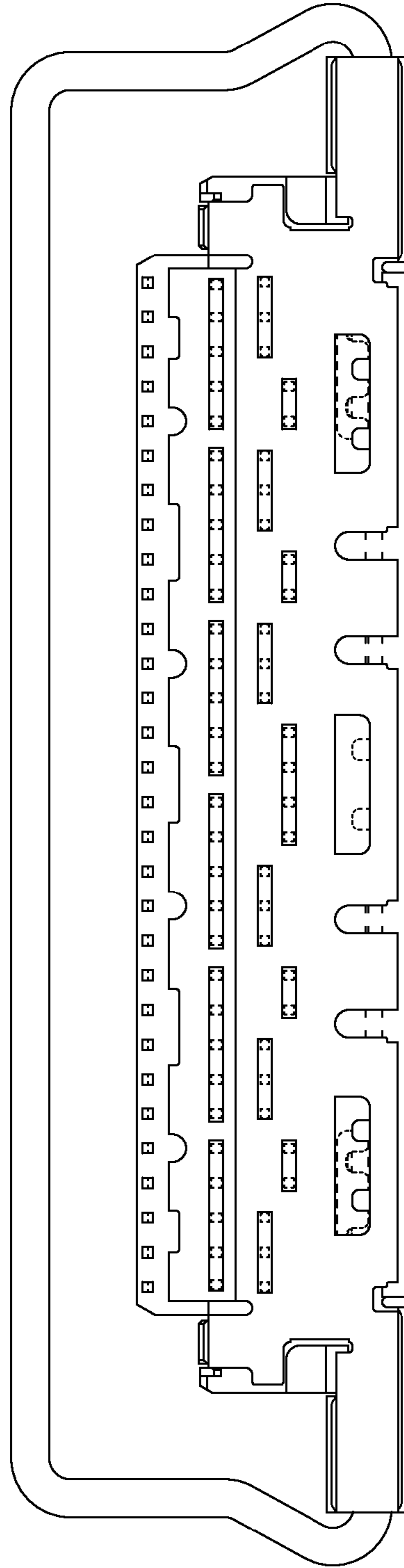


FIG. 2



FIG. 3

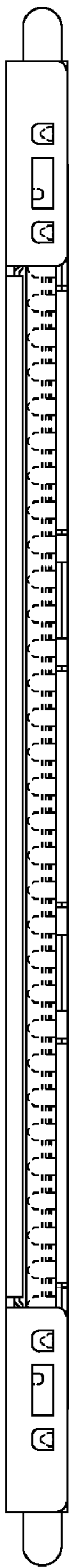


FIG. 4

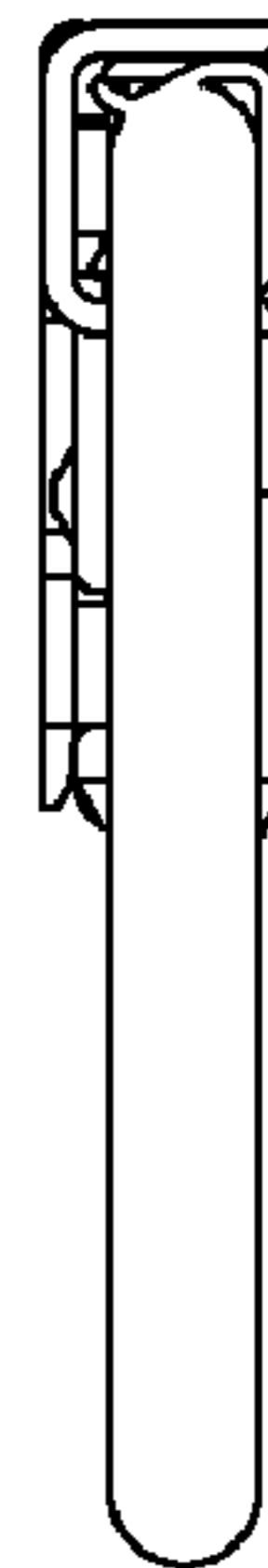


FIG. 5

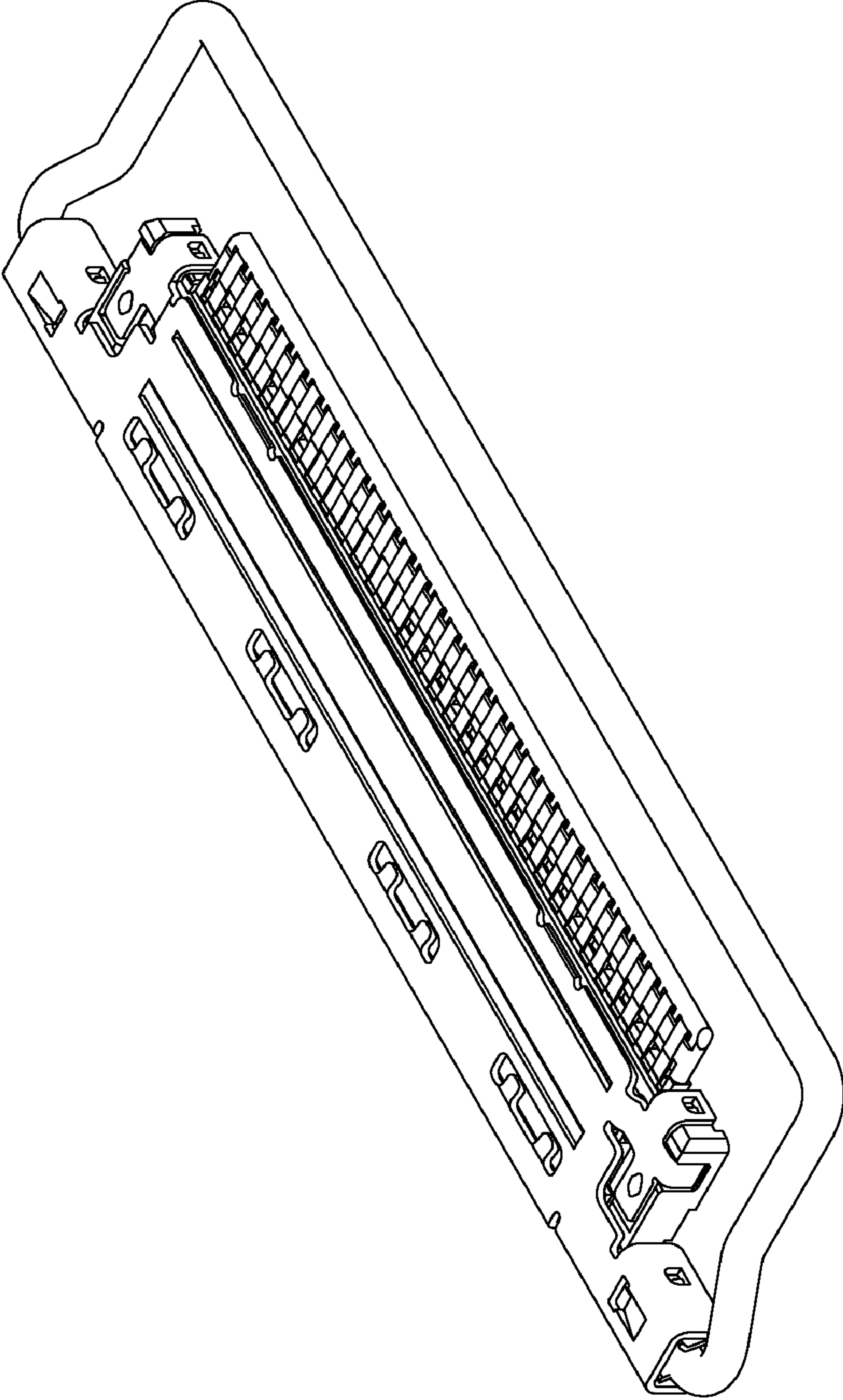


FIG. 6

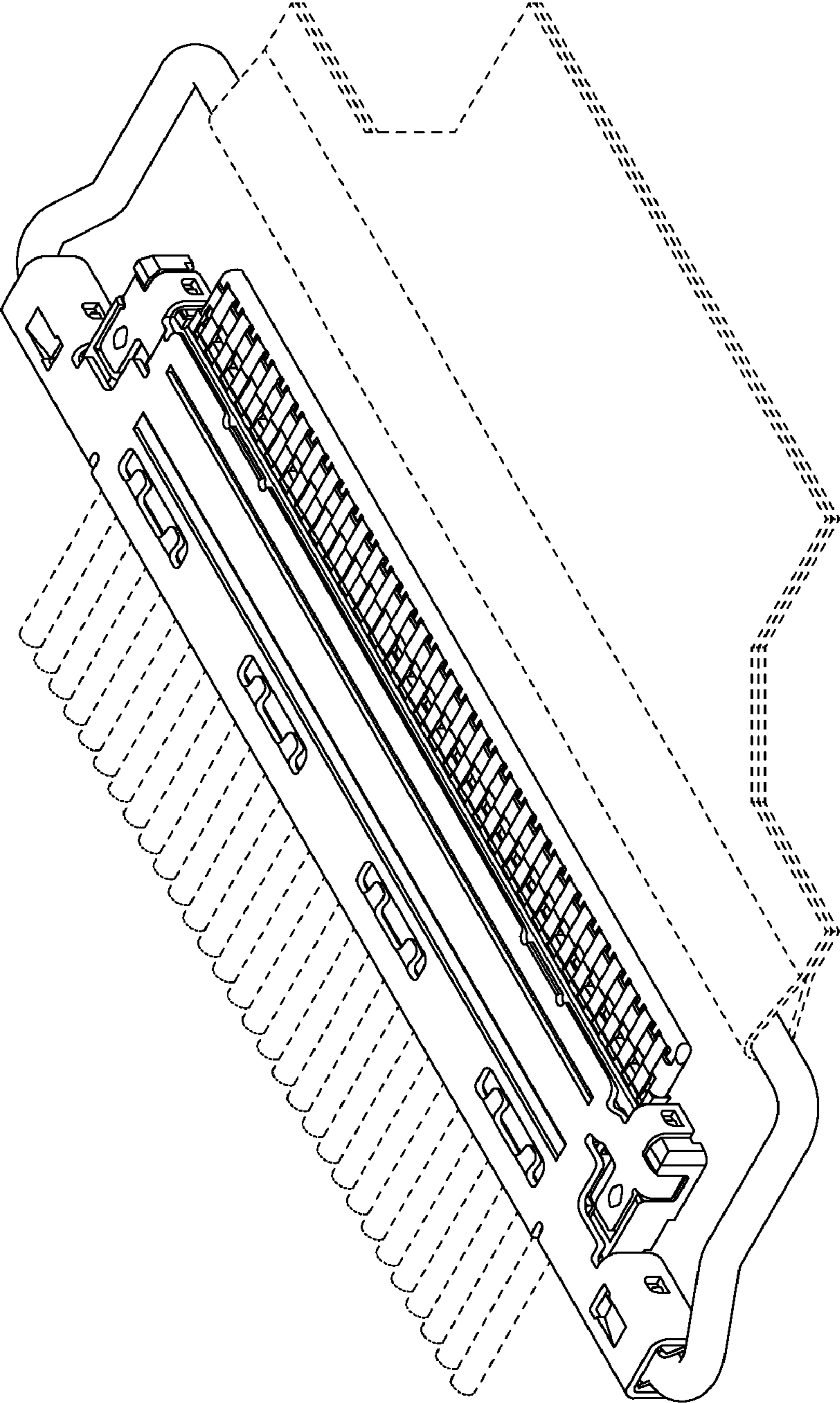


FIG. 7

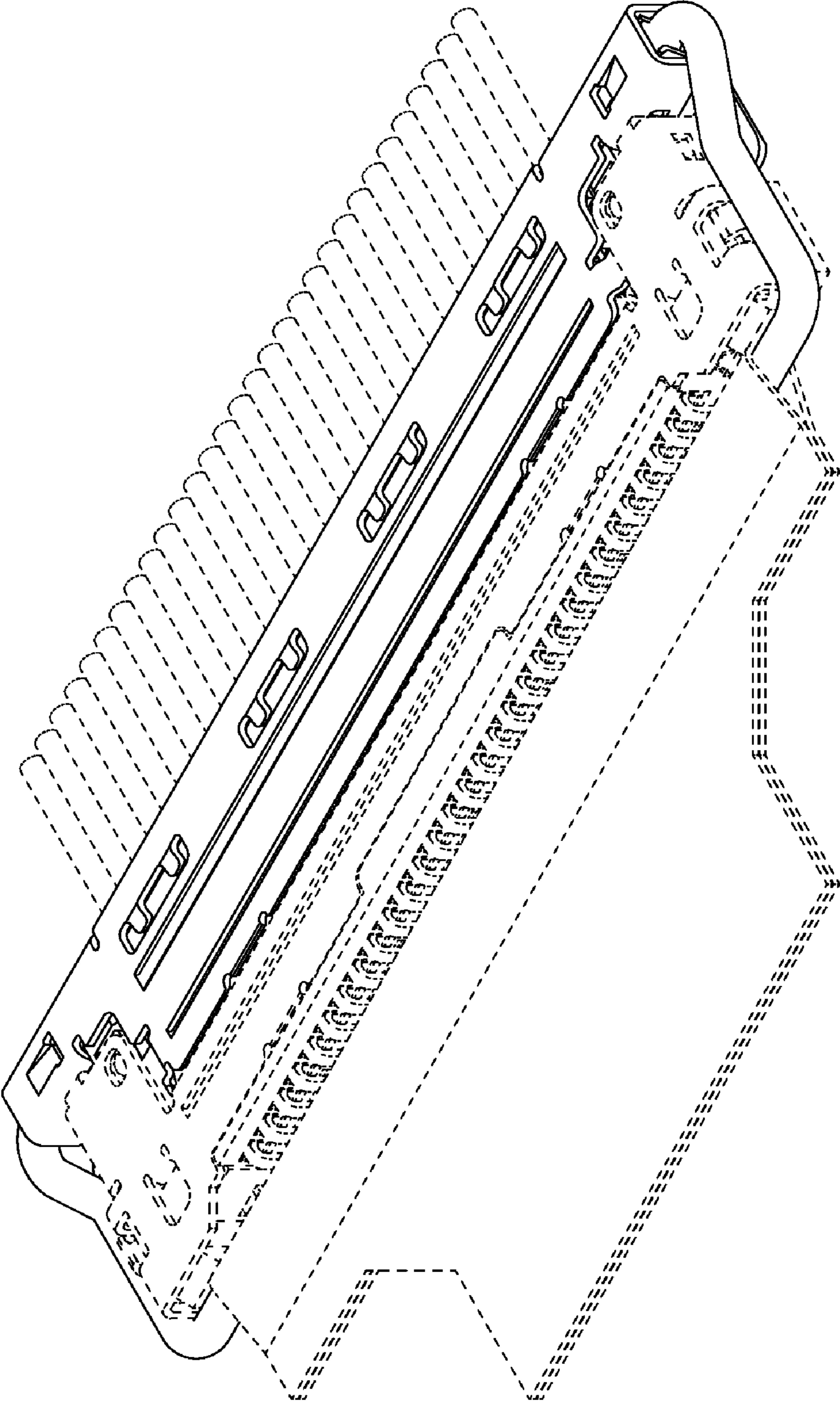


FIG. 8

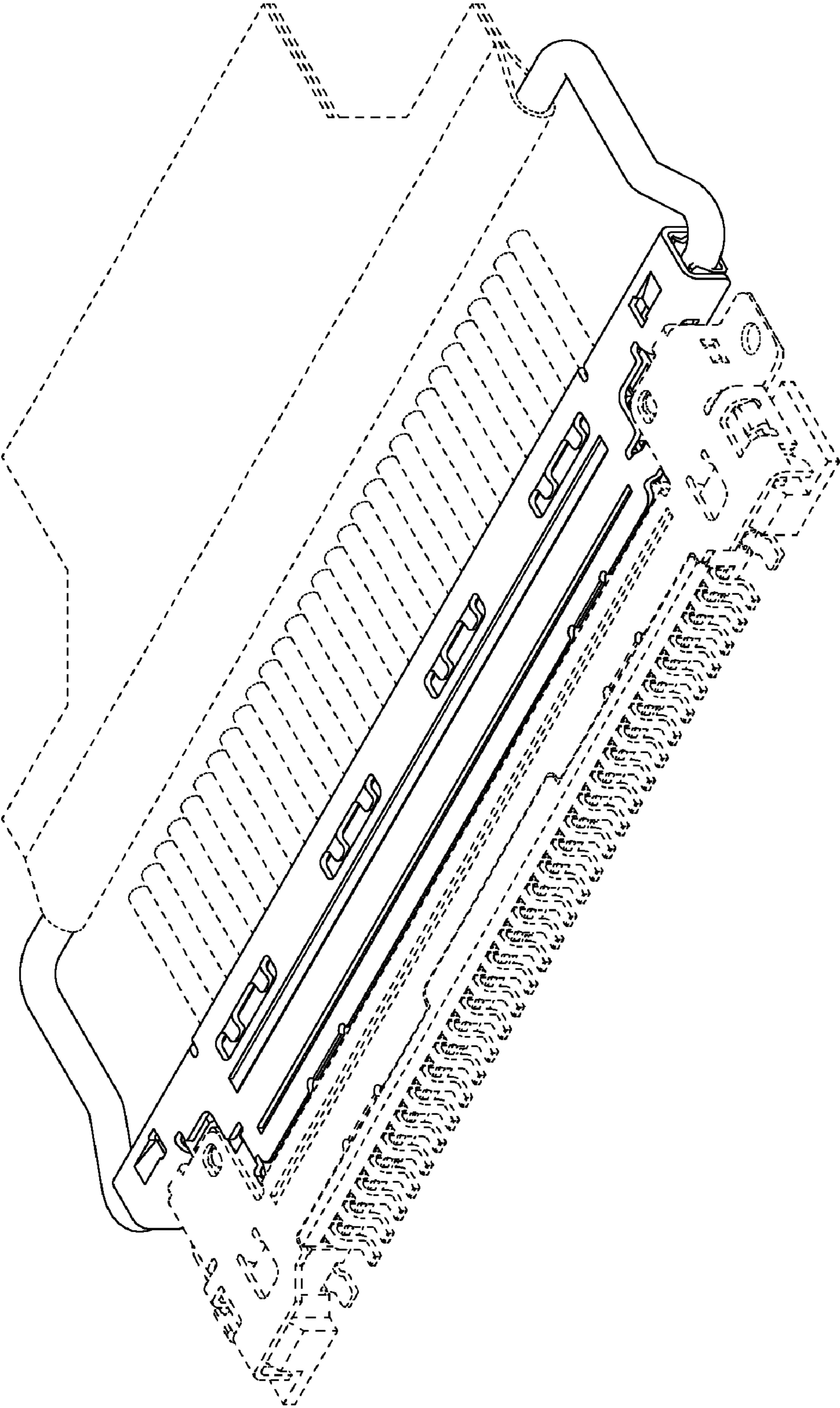


FIG. 9