



US00D608290S

(12) **United States Design Patent**
Ikari

(10) **Patent No.:** **US D608,290 S**
(45) **Date of Patent:** **** Jan. 19, 2010**

(54) **ELECTRICAL CONNECTOR**

JP D1234525 2/2005

(75) Inventor: **Hiroharu Ikari**, Kanagawa (JP)

* cited by examiner

(73) Assignee: **I-PEX Co., Ltd** (JP)

Primary Examiner—Daniel D Bui
(74) *Attorney, Agent, or Firm*—Studebaker & Brackett PC;
Donald R. Studebaker

(**) Term: **14 Years**

(21) Appl. No.: **29/321,226**

(57) **CLAIM**

(22) Filed: **Jul. 14, 2008**

The ornamental design for an electrical connector, as shown and described.

(30) **Foreign Application Priority Data**

Apr. 21, 2008 (JP) 2008-10152

DESCRIPTION

(51) **LOC (9) Cl.** **13-03**

FIG. 1 is a top plan view of an electrical connector, showing my new design;

(52) **U.S. Cl.** **D13/147**

FIG. 2 is a bottom plan view thereof;

(58) **Field of Classification Search** D13/146–147,
D13/154, 184; 439/260, 329, 357, 422, 492–499,
439/660

FIG. 3 is a front elevation view thereof;

See application file for complete search history.

FIG. 4 is a rear elevation view thereof;

(56) **References Cited**

FIG. 5 is a right side view thereof, the left side view thereof is a mirror image thereto;

U.S. PATENT DOCUMENTS

FIG. 6 is a front, top and left side perspective view thereof; and,

6,705,893 B1 * 3/2004 Ko 439/607
6,705,896 B1 * 3/2004 Chang et al. 439/610
D489,335 S * 5/2004 Ko D13/147
D530,674 S * 10/2006 Ko D13/147
7,465,186 B2 * 12/2008 Yotsutani 439/497

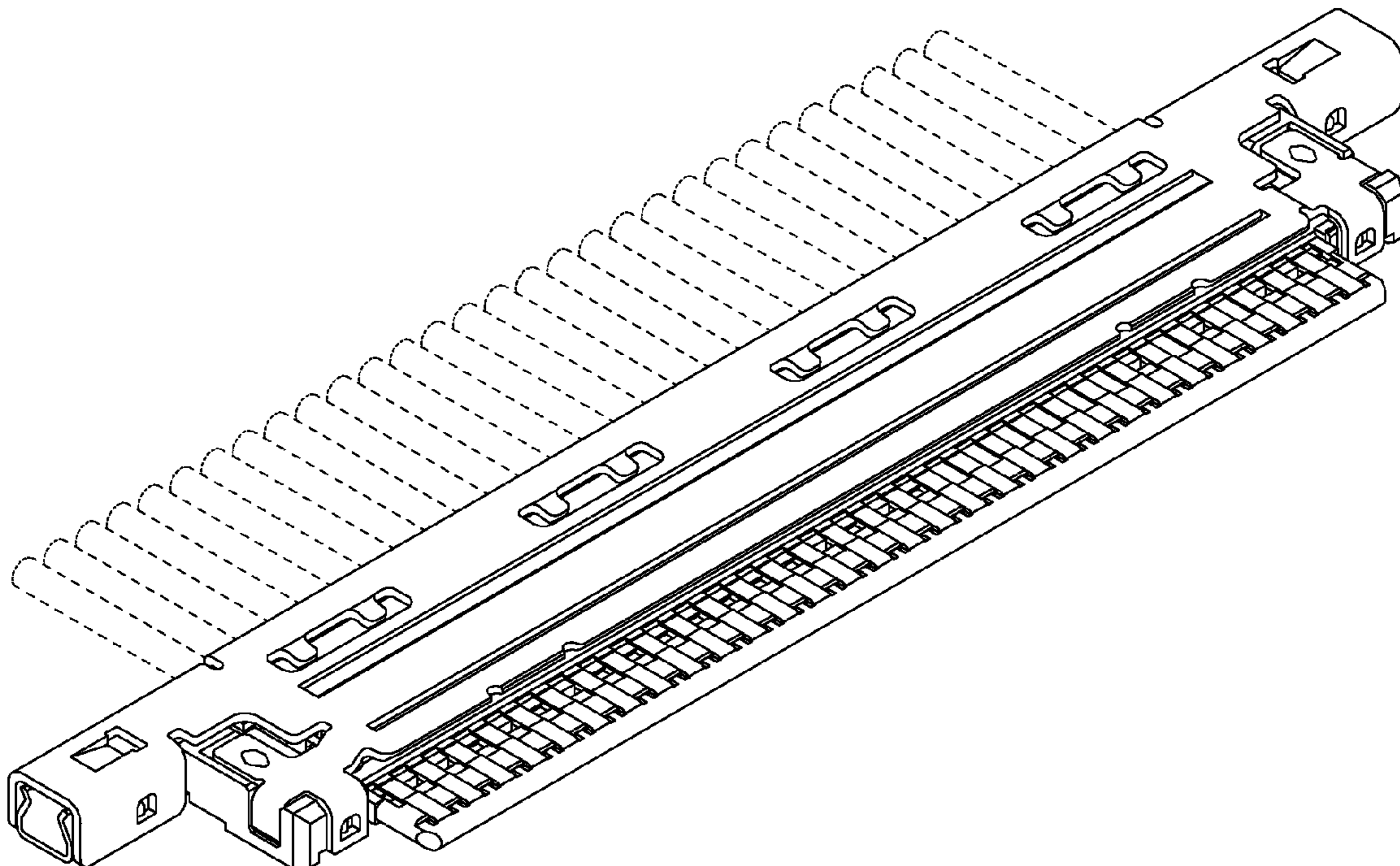
FIG. 7 is a front, top and left side perspective view thereof, in use condition.

FOREIGN PATENT DOCUMENTS

The broken line portion in the figure drawing views is included to show unclaimed environmental structure only and forms no part of the claimed design.

JP D1232431 1/2005

1 Claim, 4 Drawing Sheets



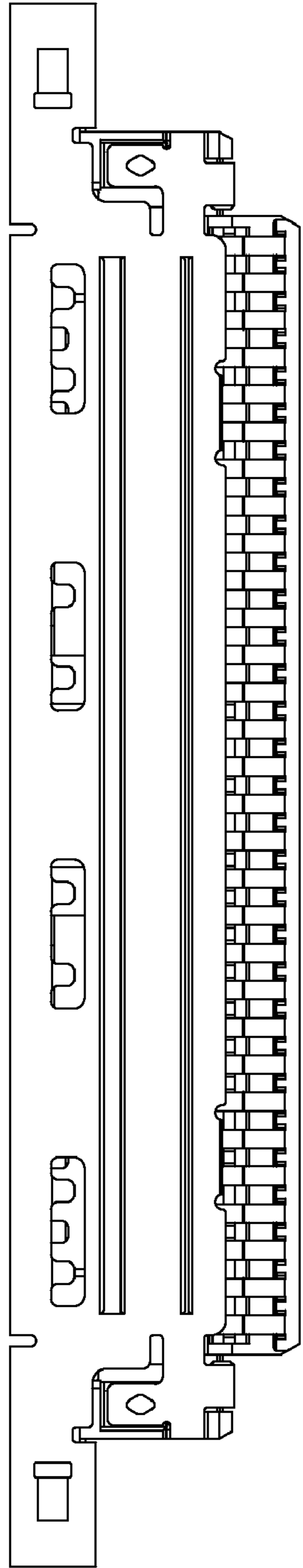


FIG. 1

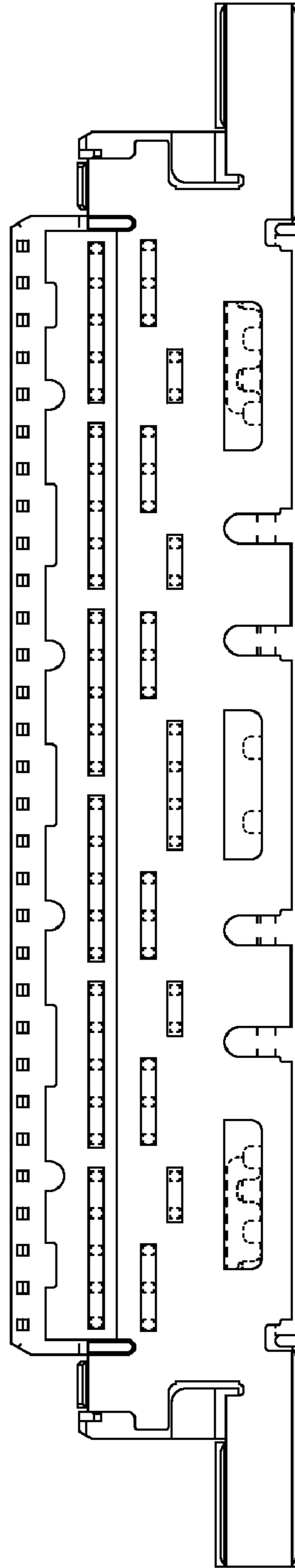


FIG. 2



FIG. 3

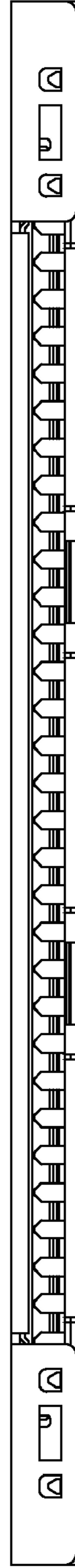


FIG. 4

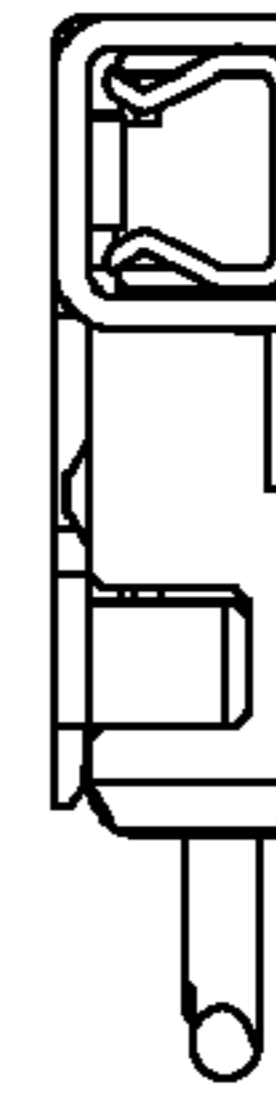


FIG. 5

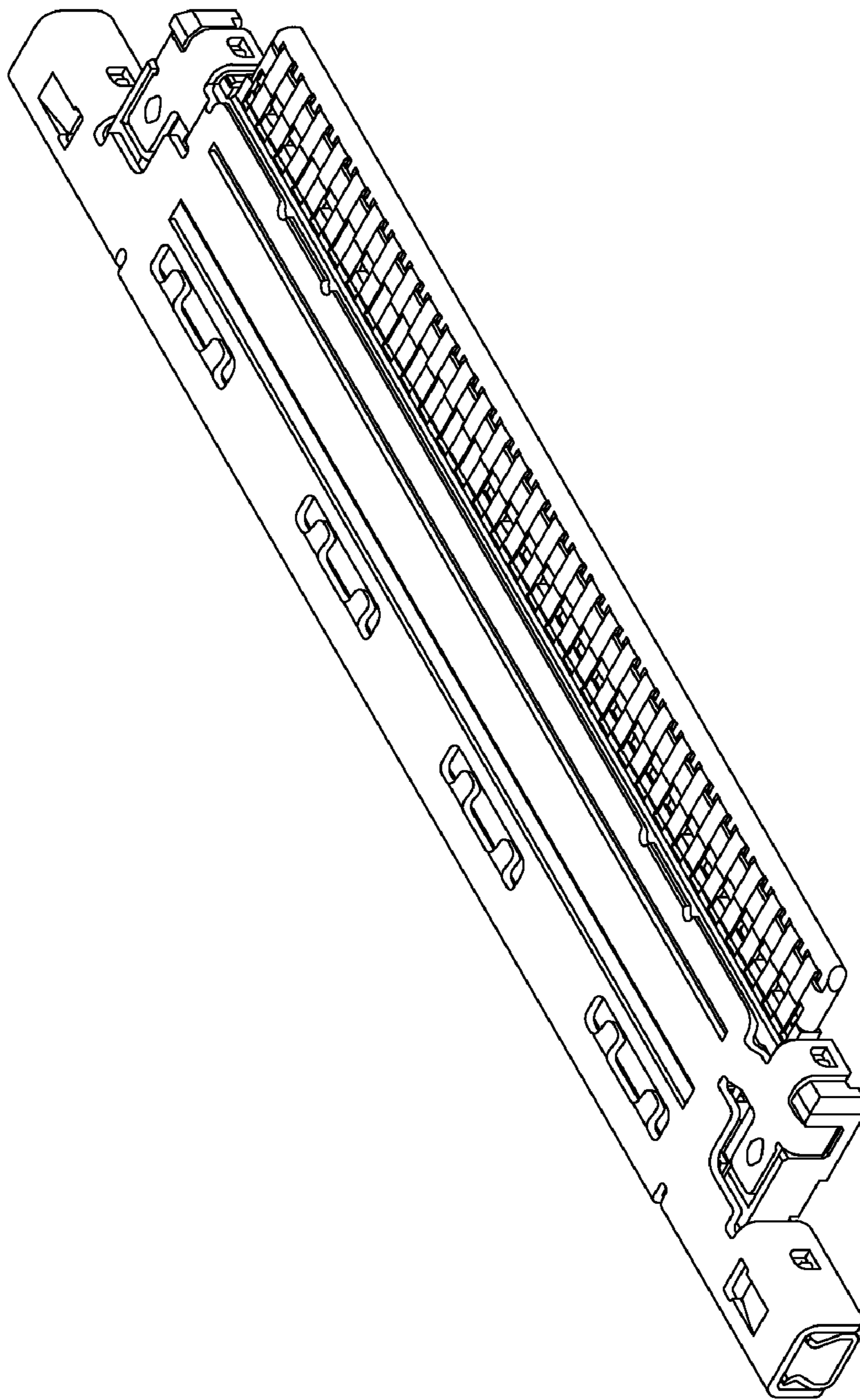


FIG. 6

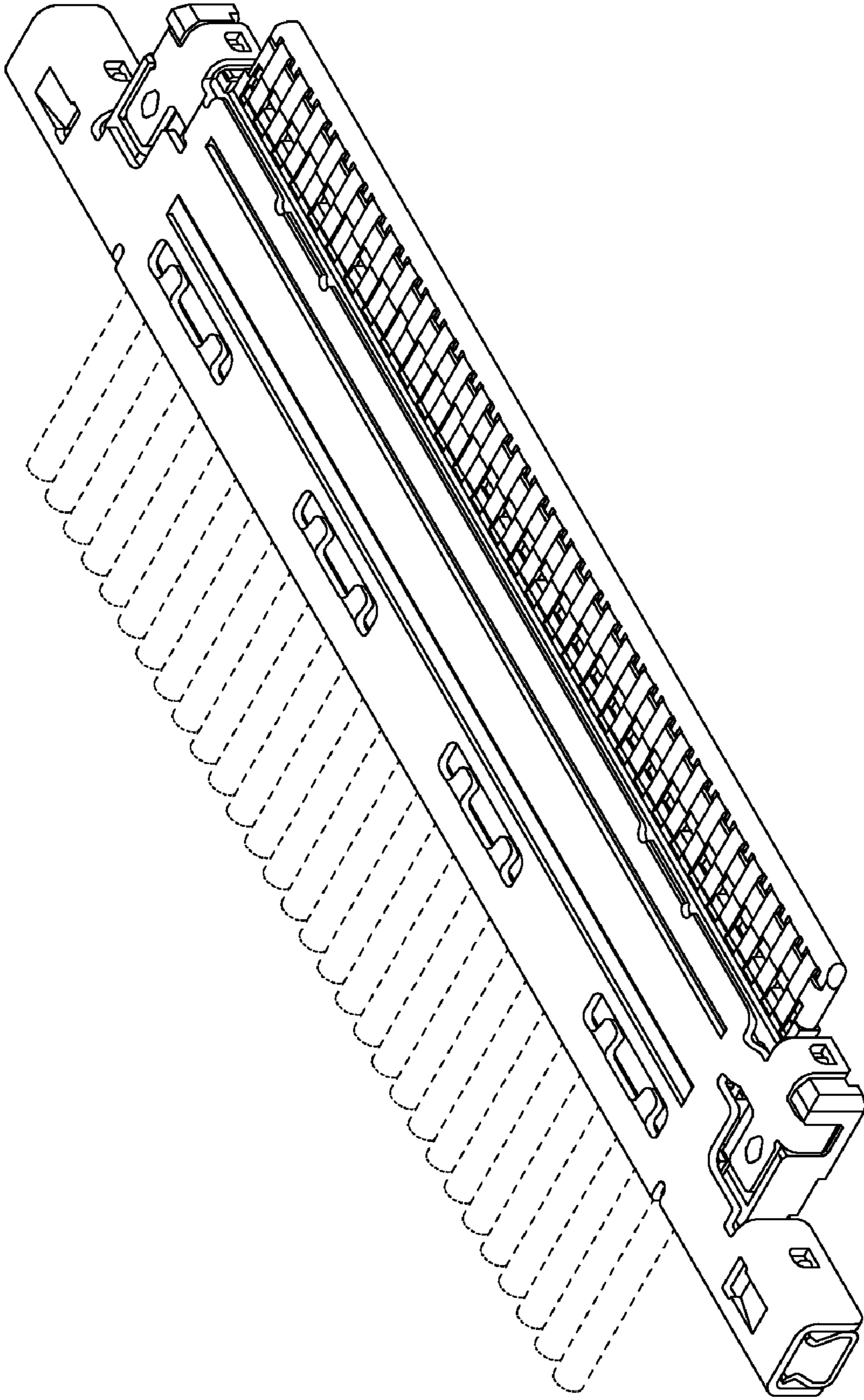


FIG. 7