



US00D608289S

(12) **United States Design Patent**
Henderson

(10) **Patent No.:** **US D608,289 S**
(45) **Date of Patent:** **** Jan. 19, 2010**

(54) **CONNECTOR FOR GAME CONTROLLER**

(76) Inventor: **Cameron Henderson**, 119 N. Fourth St.,
#407, Minneapolis, MN (US) 55401

(**) Term: **14 Years**

(21) Appl. No.: **29/321,091**

(22) Filed: **Jul. 10, 2008**

(51) **LOC (9) Cl.** **13-03**

(52) **U.S. Cl.** **D13/147**

(58) **Field of Classification Search** D13/133,
D13/146-147, 153, 154, 184; 439/607-61,
439/668, 680, 682

See application file for complete search history.

(56) **References Cited**

U.S. PATENT DOCUMENTS

D378,209 S *	2/1997	Morikawa et al.	D13/147
D391,551 S *	3/1998	Ono	D13/147
D558,677 S	1/2008	Ashida	
D558,682 S	1/2008	Ashida	
D568,821 S	5/2008	Ashida	
D568,823 S	5/2008	Ashida	

* cited by examiner

Primary Examiner—Daniel D Bui

(74) *Attorney, Agent, or Firm*—Merchant & Gould P.C.

(57) **CLAIM**

The ornamental design for a connector for the game controller, as shown.

DESCRIPTION

FIG. 1 is a top, front and side perspective view of a connector for game controller showing my new design;

FIG. 2 is a back view thereof.

FIG. 3 is a top view thereof.

FIG. 4 is a bottom view thereof.

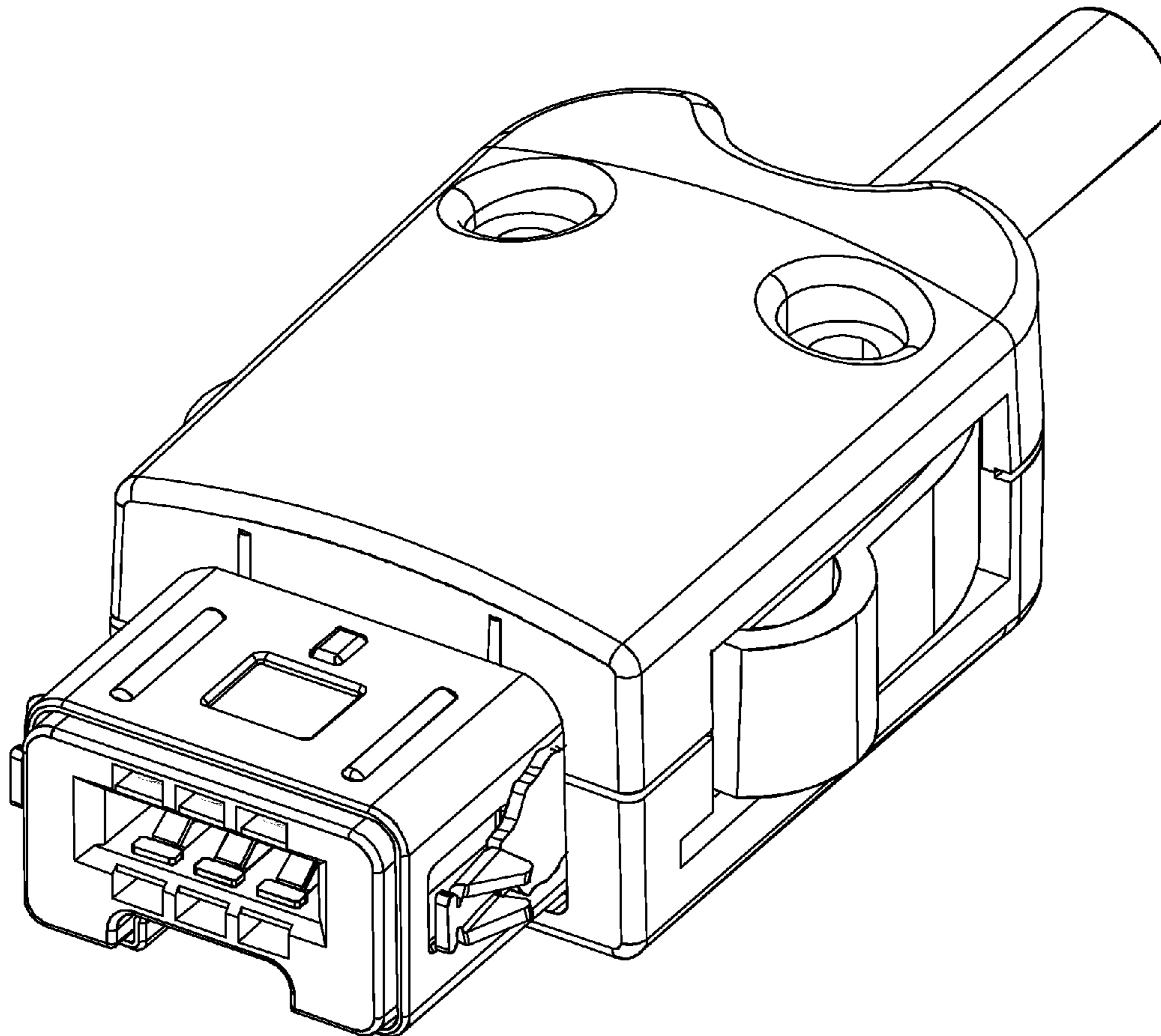
FIG. 5 is a front view thereof.

FIG. 6 is a first side view thereof; and,

FIG. 7 is a second side view thereof.

The broken line portion of the figure drawings is included to show unclaimed subject matter only and forms no part of the claimed design.

1 Claim, 7 Drawing Sheets



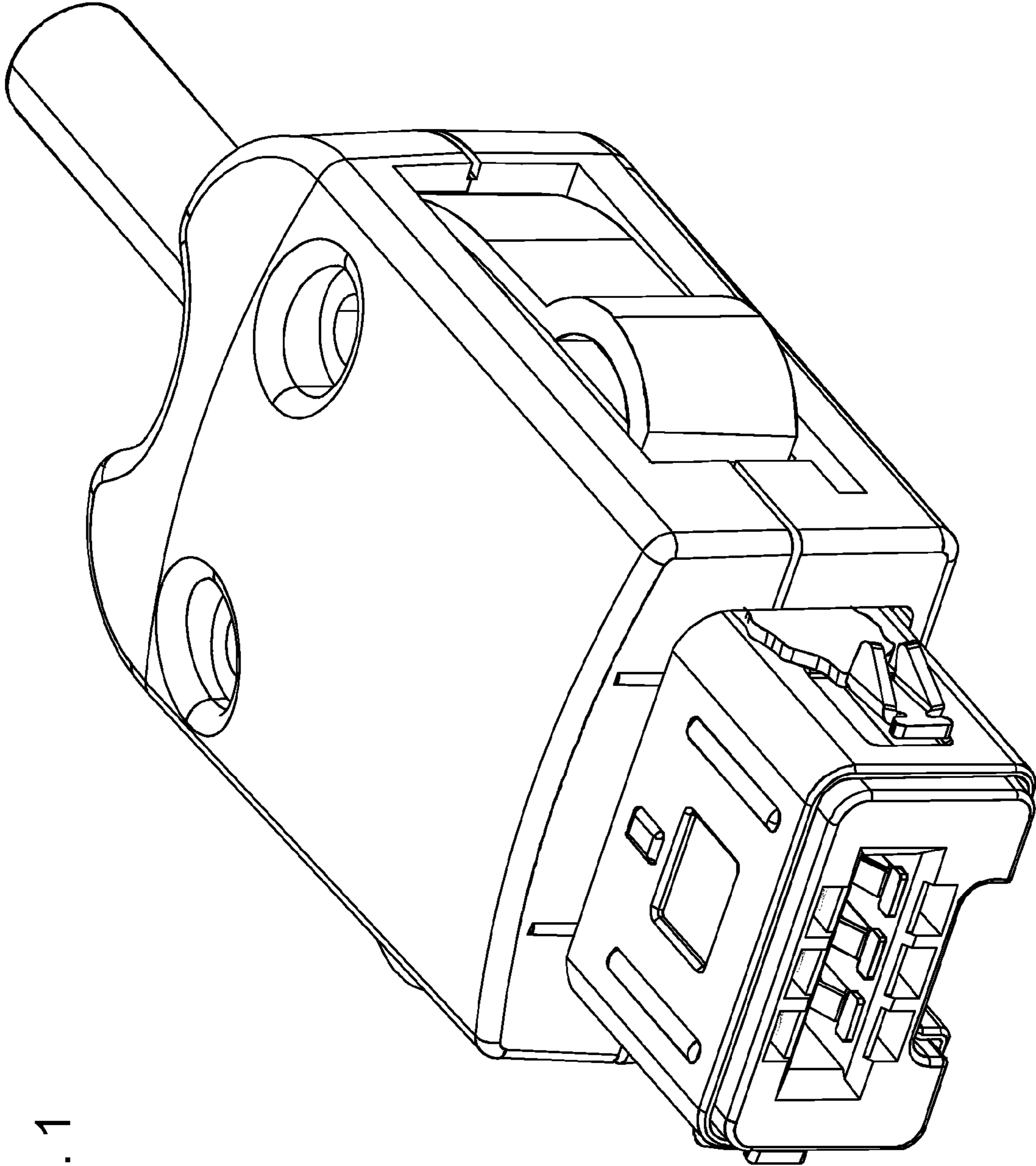


FIG. 1

FIG. 2

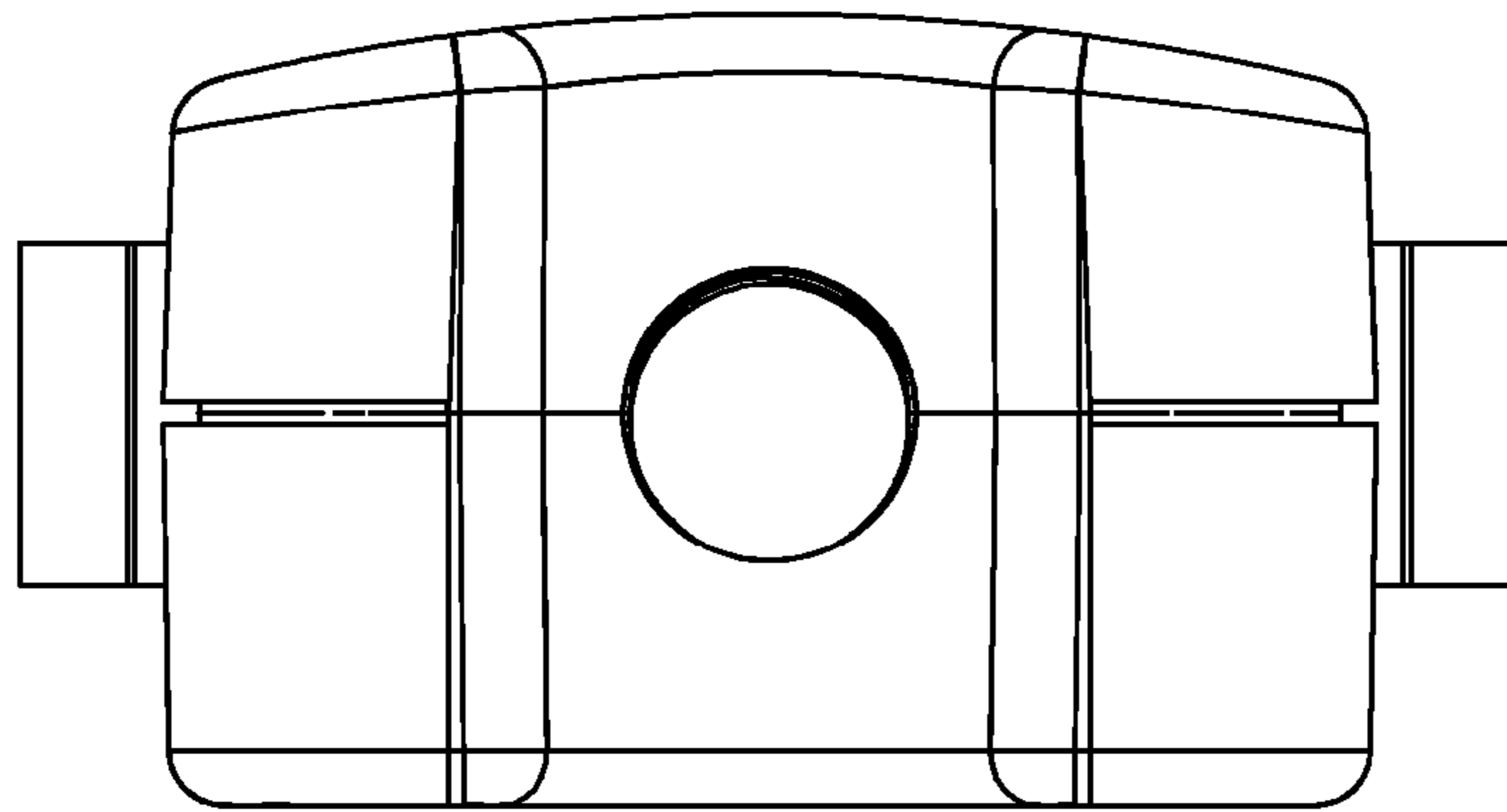


FIG. 3

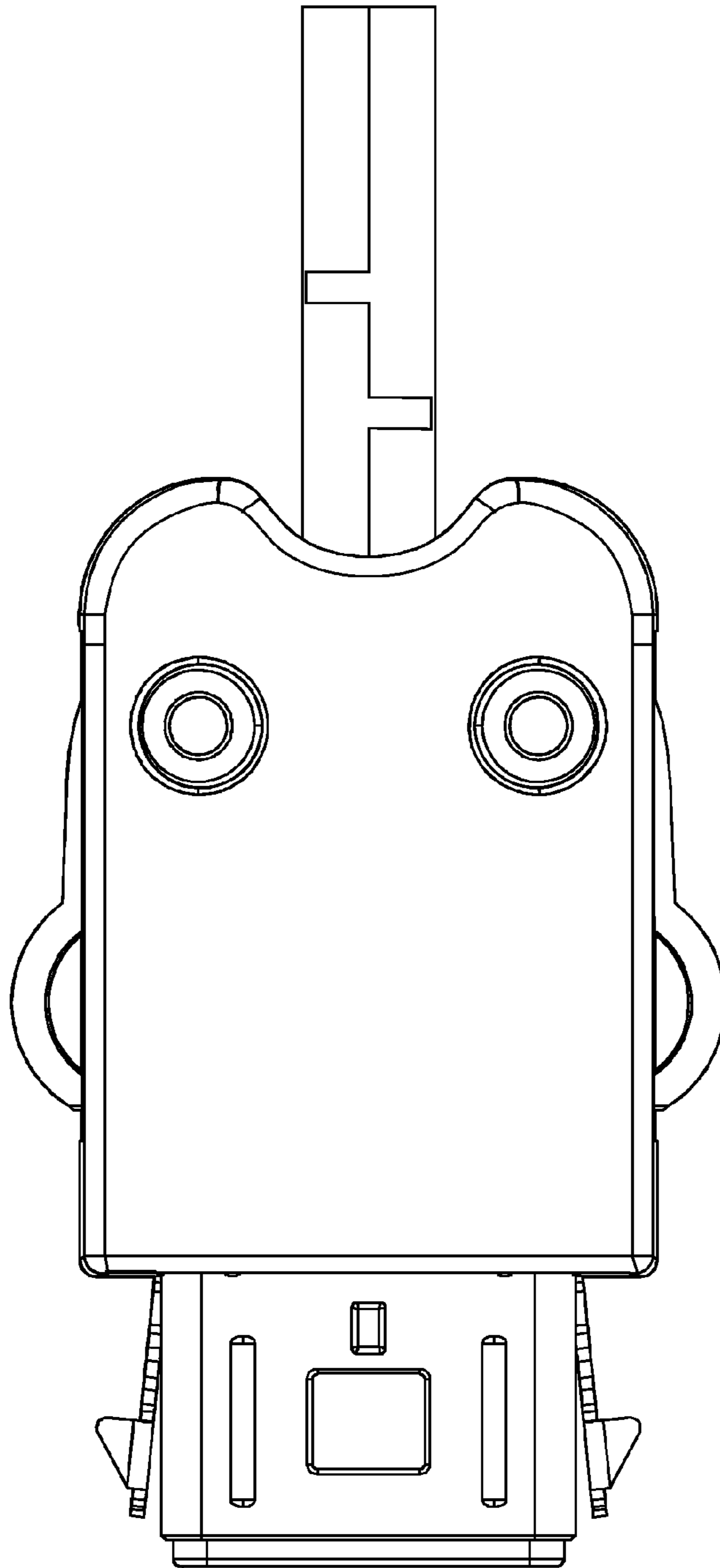


FIG. 4

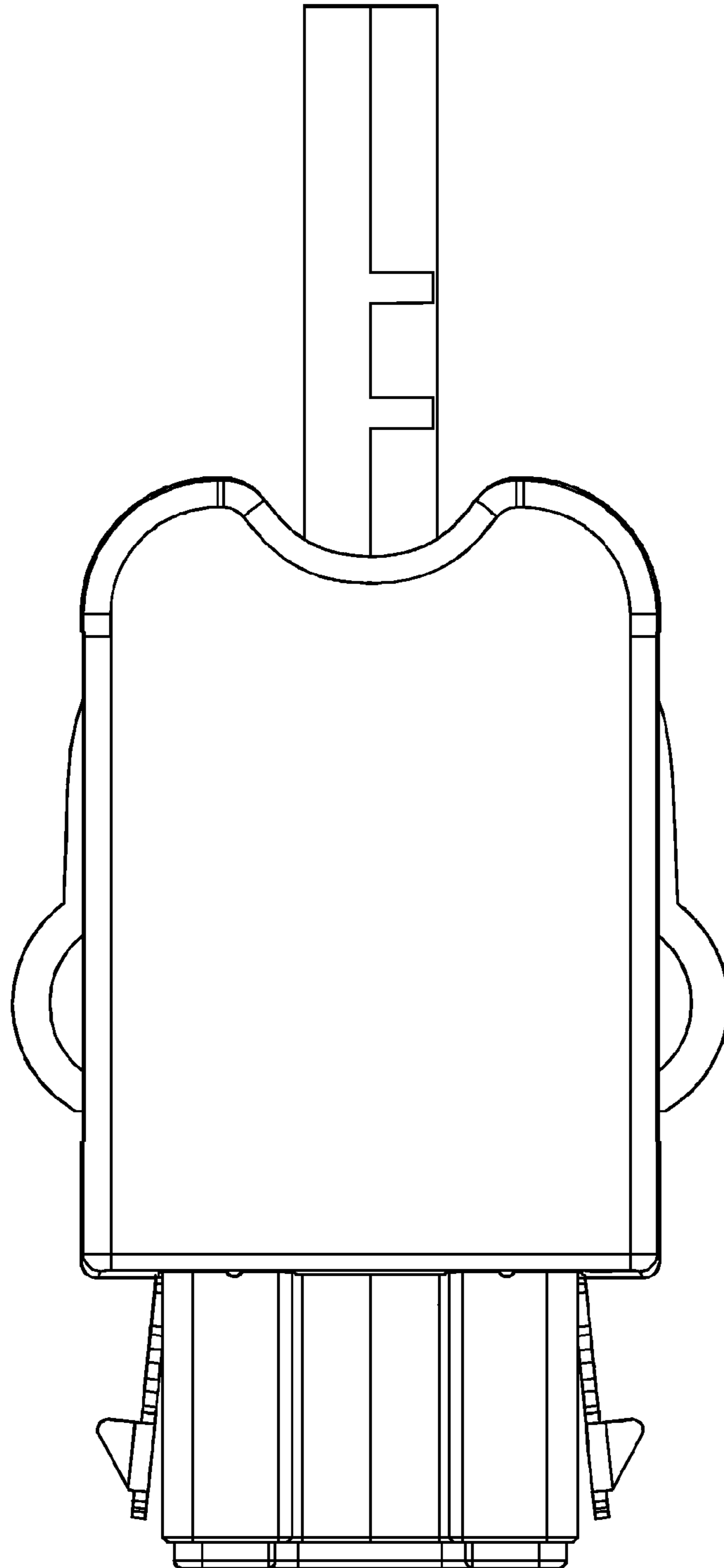


FIG. 5

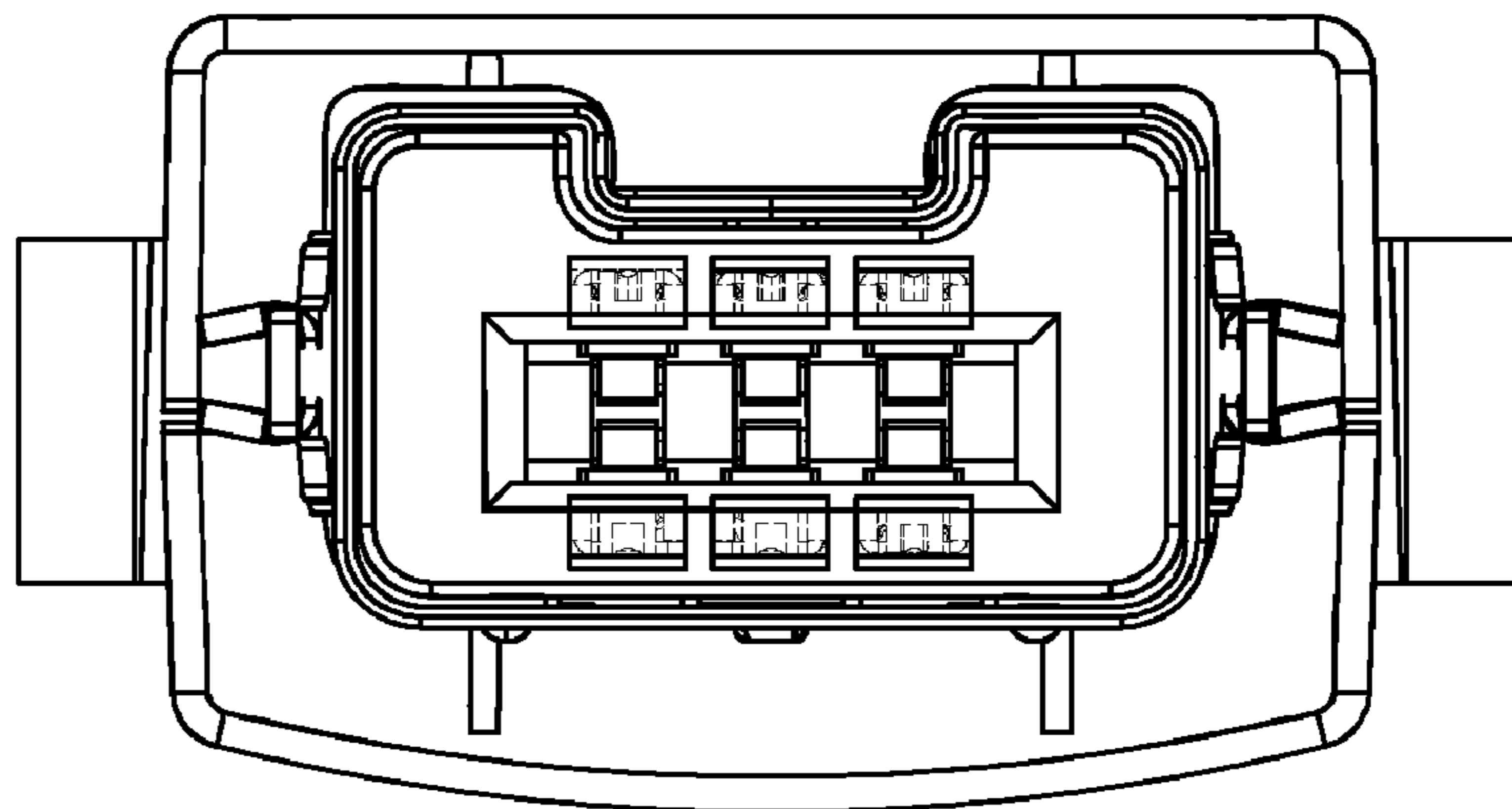


FIG. 6

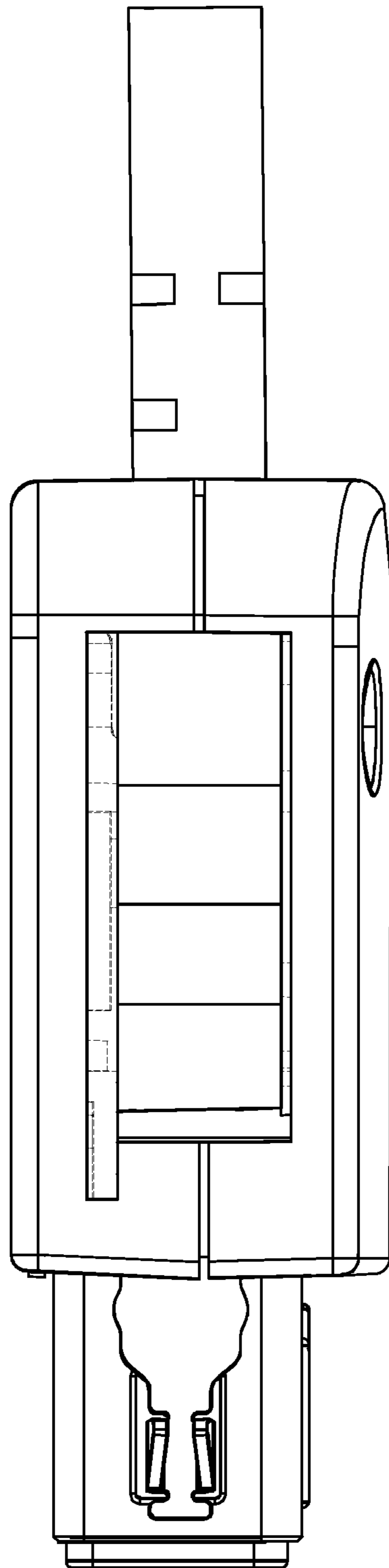


FIG. 7

