



US00D608288S

(12) **United States Design Patent**
Zhu et al.

(10) **Patent No.:** **US D608,288 S**
(45) **Date of Patent:** **** Jan. 19, 2010**

(54) **RECEPTACLE CONNECTOR**

(75) Inventors: **Feng Zhu**, Tu-Cheng (TW); **Xing Yu Hu**, Tu-Cheng (TW)

(73) Assignee: **Cheng Uei Precision Industry Co., Ltd.**, Taipei Hsien (TW)

(**) Term: **14 Years**

(21) Appl. No.: **29/311,446**

(22) Filed: **Mar. 18, 2009**

(51) **LOC (9) Cl.** **13-03**

(52) **U.S. Cl.** **D13/147**

(58) **Field of Classification Search** D13/147,
D13/154, 184; 439/79, 108, 378, 497, 567,
439/607-610, 668, 680

See application file for complete search history.

(56) **References Cited**

U.S. PATENT DOCUMENTS

- D478,050 S * 8/2003 Nishio et al. D13/147
- D481,681 S * 11/2003 Takahashi D13/147
- D509,192 S * 9/2005 Chen D13/147
- D523,400 S * 6/2006 Shang-Yen et al. D13/147
- D523,813 S * 6/2006 He et al. D13/147

D550,160 S * 9/2007 Fujimoto D13/147
* cited by examiner

Primary Examiner—Daniel D Bui
(74) *Attorney, Agent, or Firm*—Rosenberg, Klein & Lee

(57) **CLAIM**

The ornamental design for a receptacle connector, as shown and described.

DESCRIPTION

FIG. 1 is a perspective view of a receptacle connector showing our new design;

FIG. 2 is a front elevational view thereof;

FIG. 3 is a rear elevational view thereof;

FIG. 4 is a left side elevational view thereof;

FIG. 5 is a right side elevational view thereof;

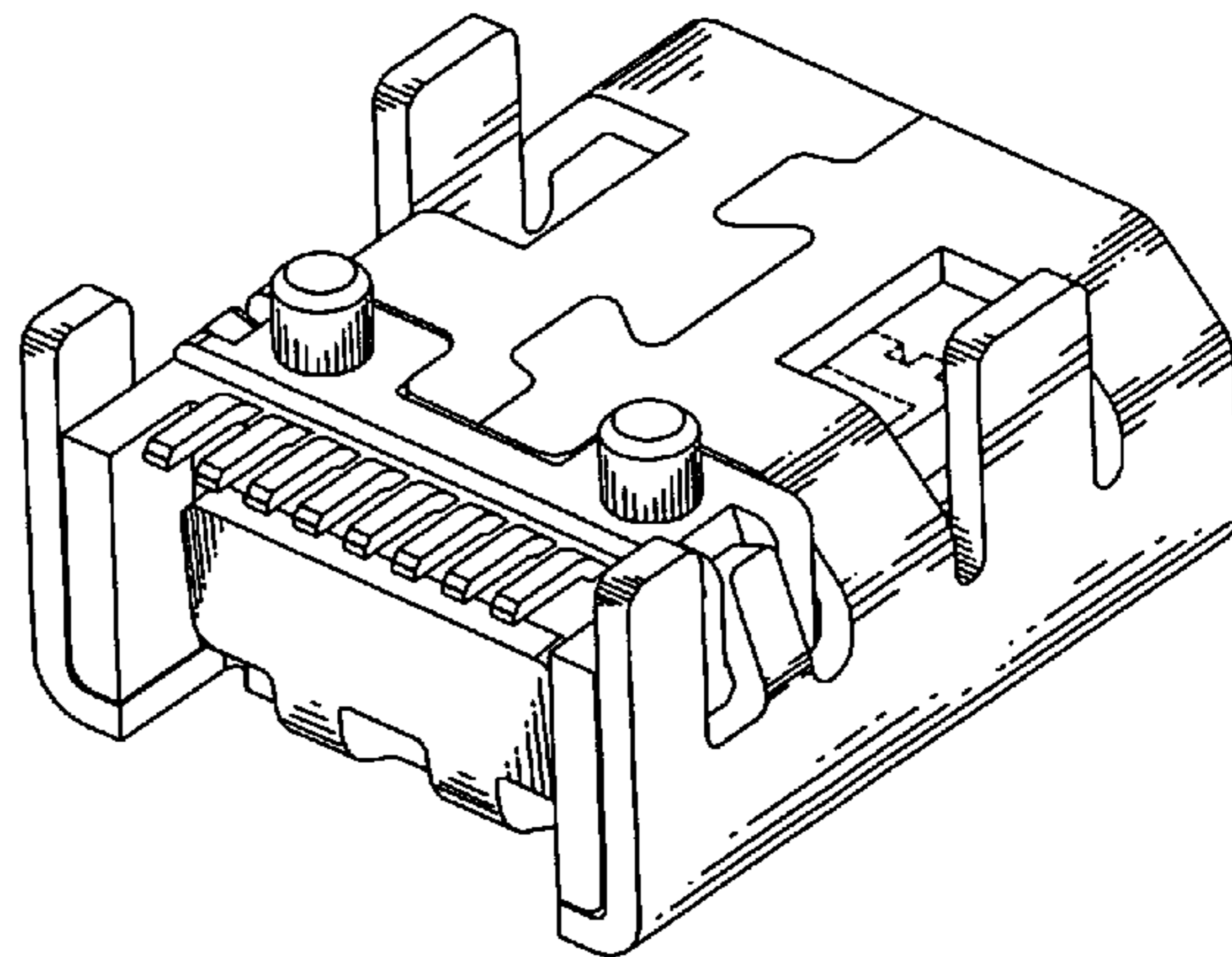
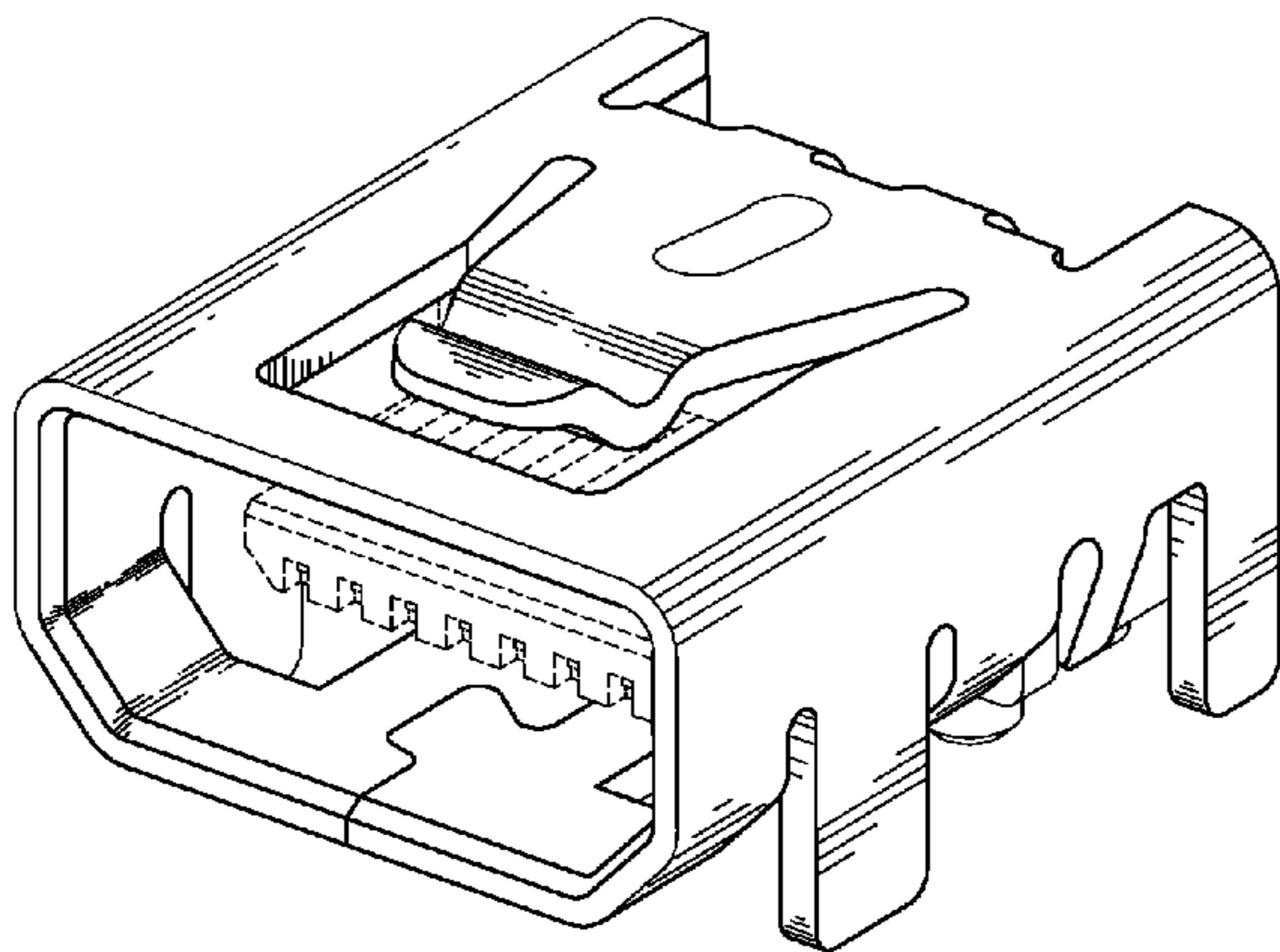
FIG. 6 is a top plan view thereof;

FIG. 7 is a bottom plan view thereof; and,

FIG. 8 is another perspective view of the receptacle connector showing our new design.

The broken line portion of the figure drawings is included to show unclaimed subject matter and forms no part of the claimed design.

1 Claim, 8 Drawing Sheets



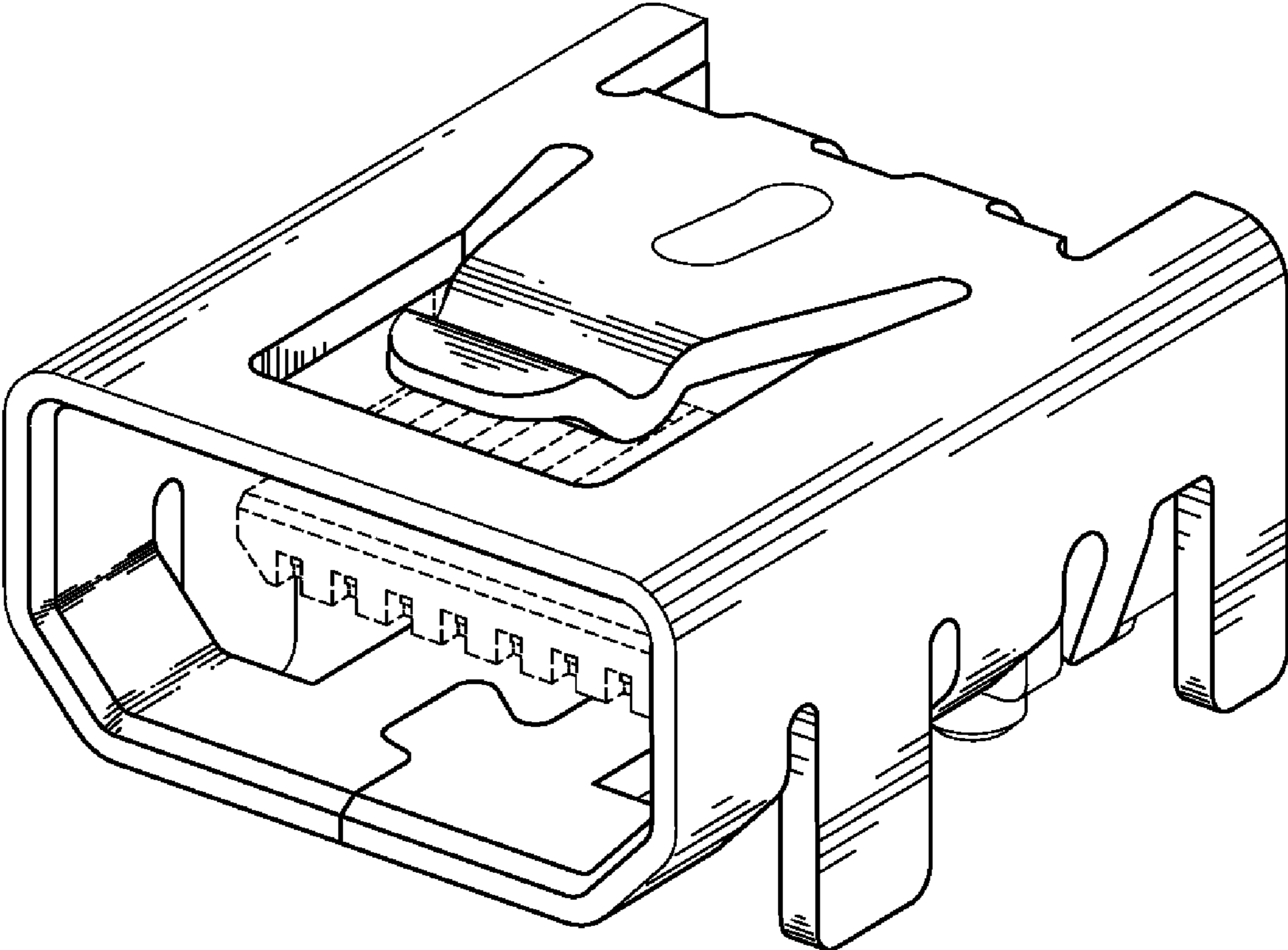


FIG. 1

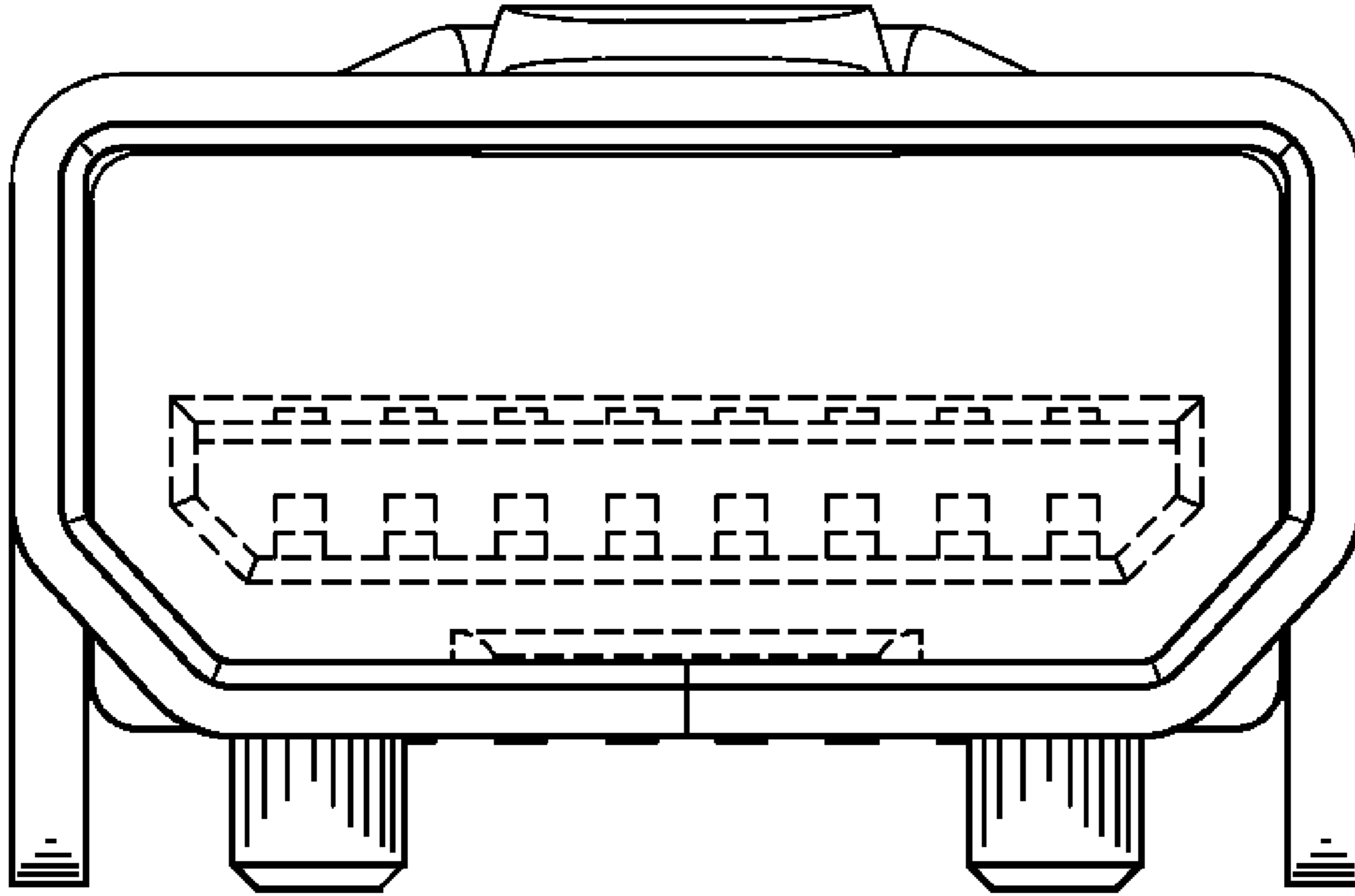


FIG. 2

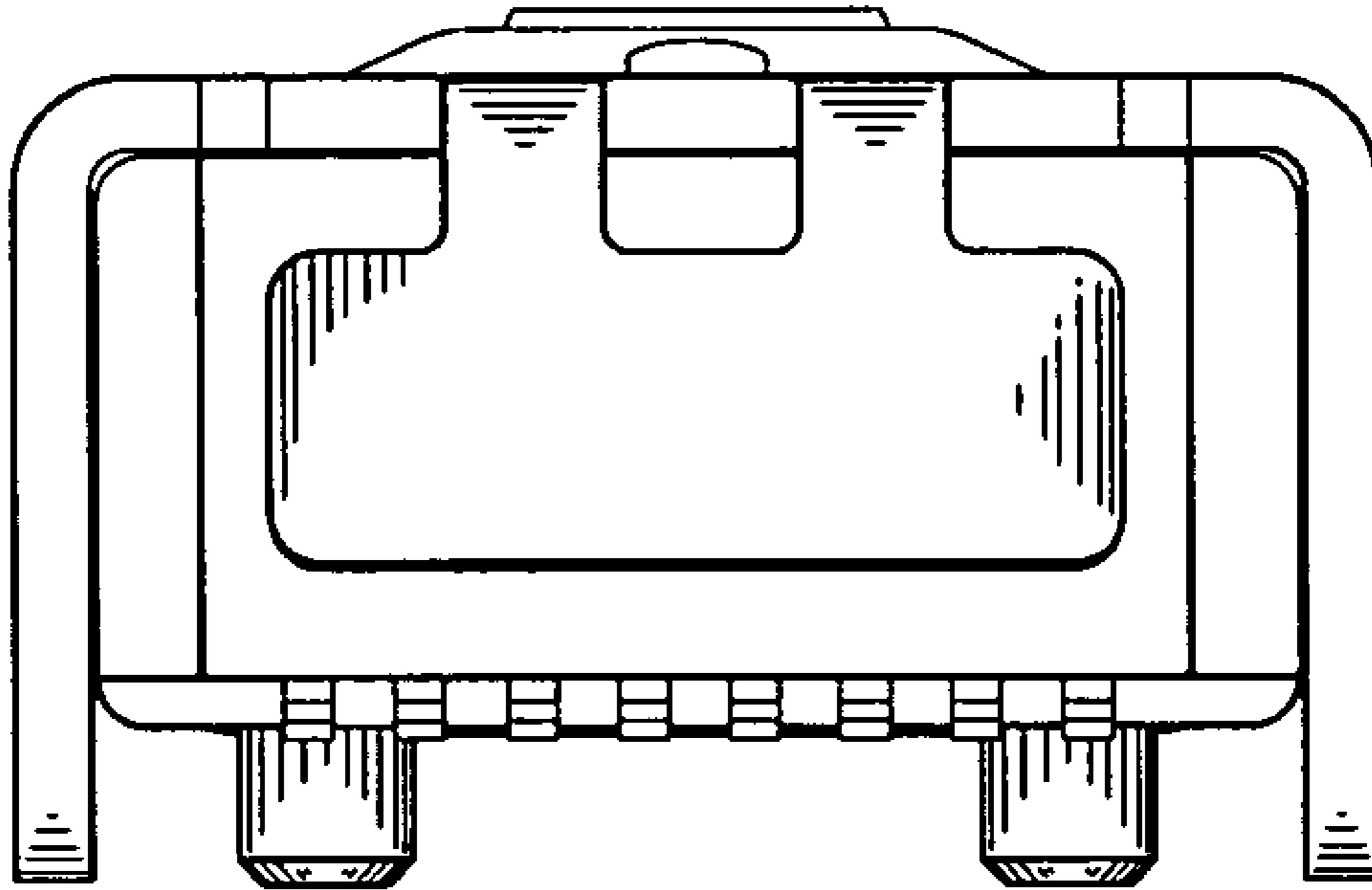


FIG. 3

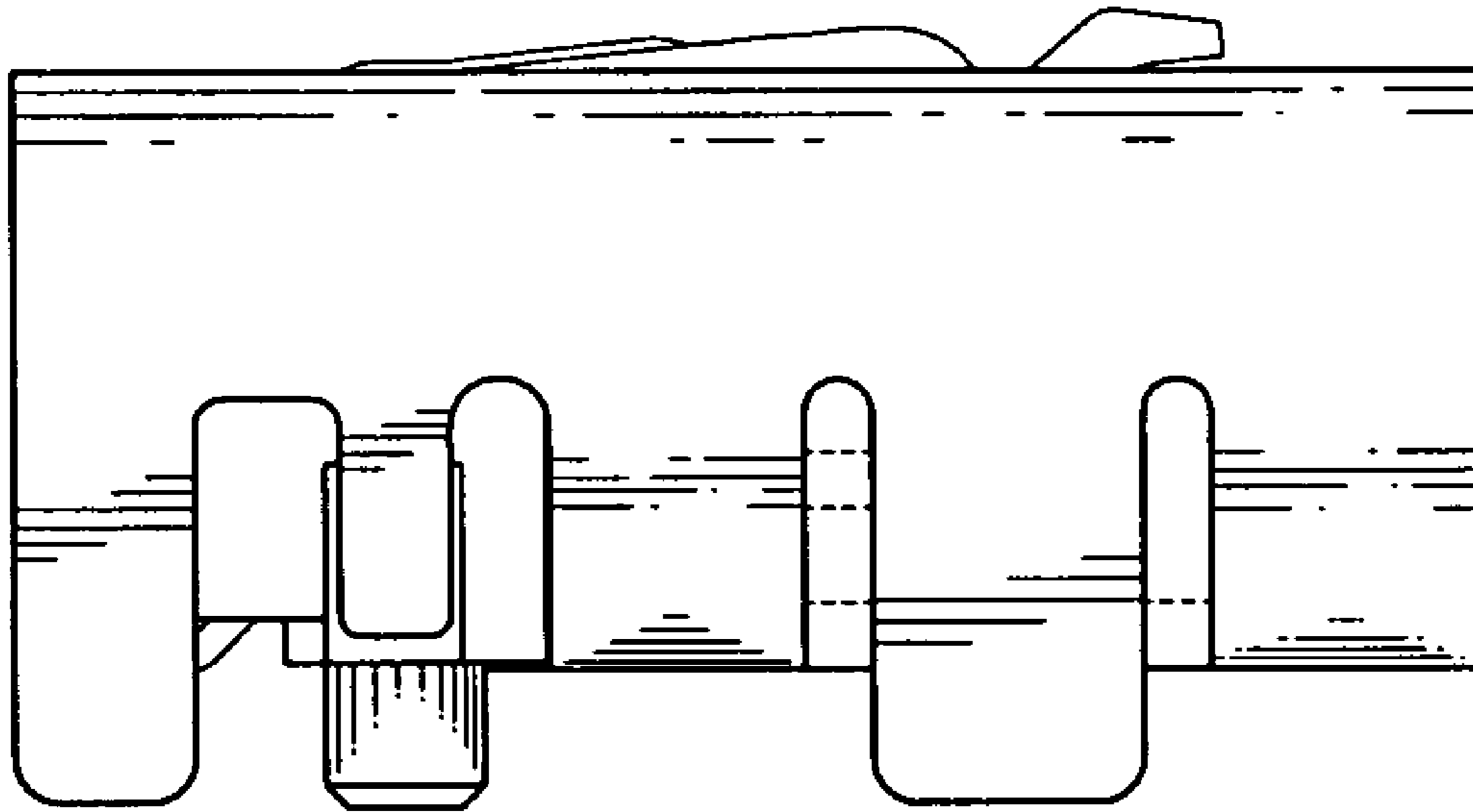


FIG. 4

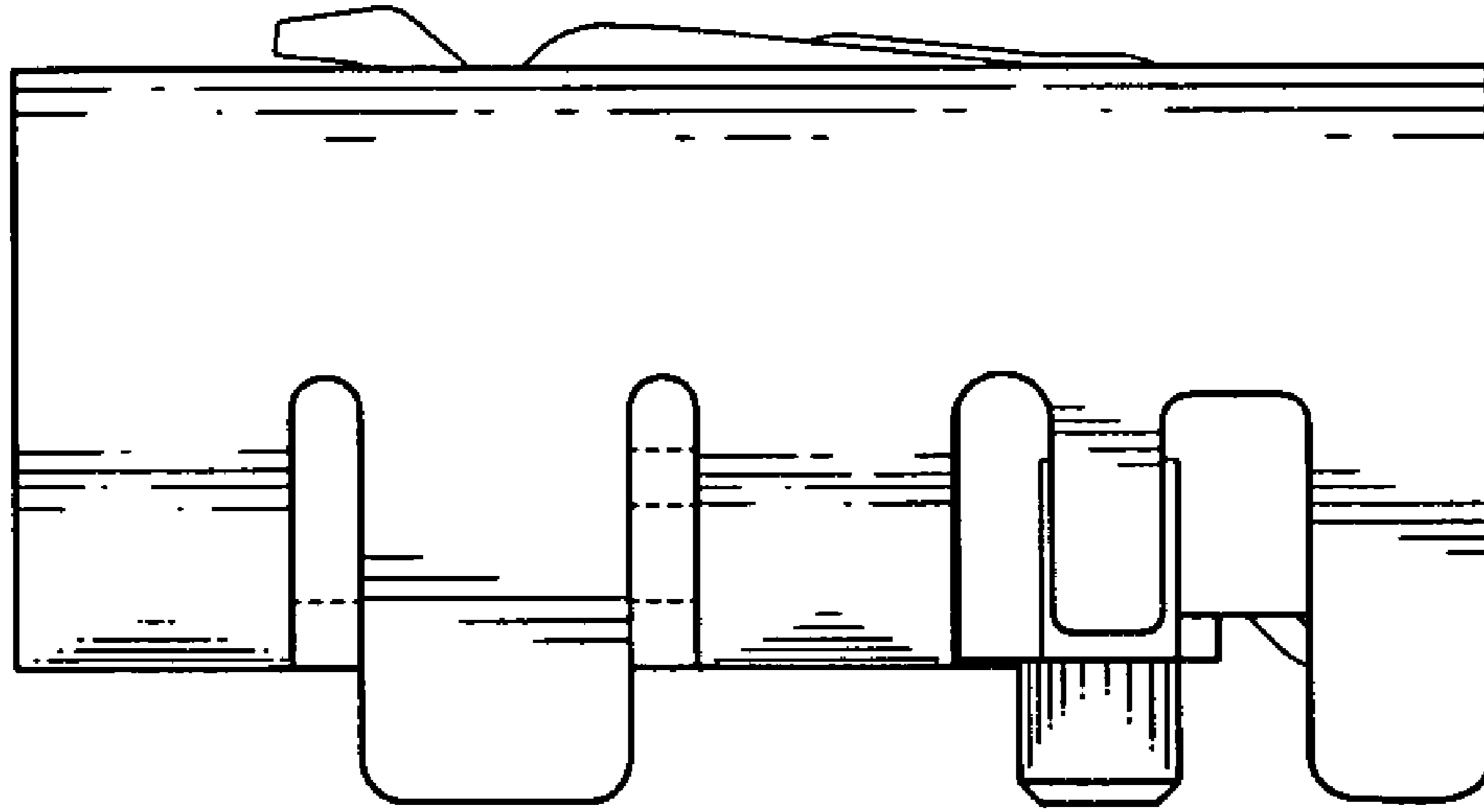


FIG. 5

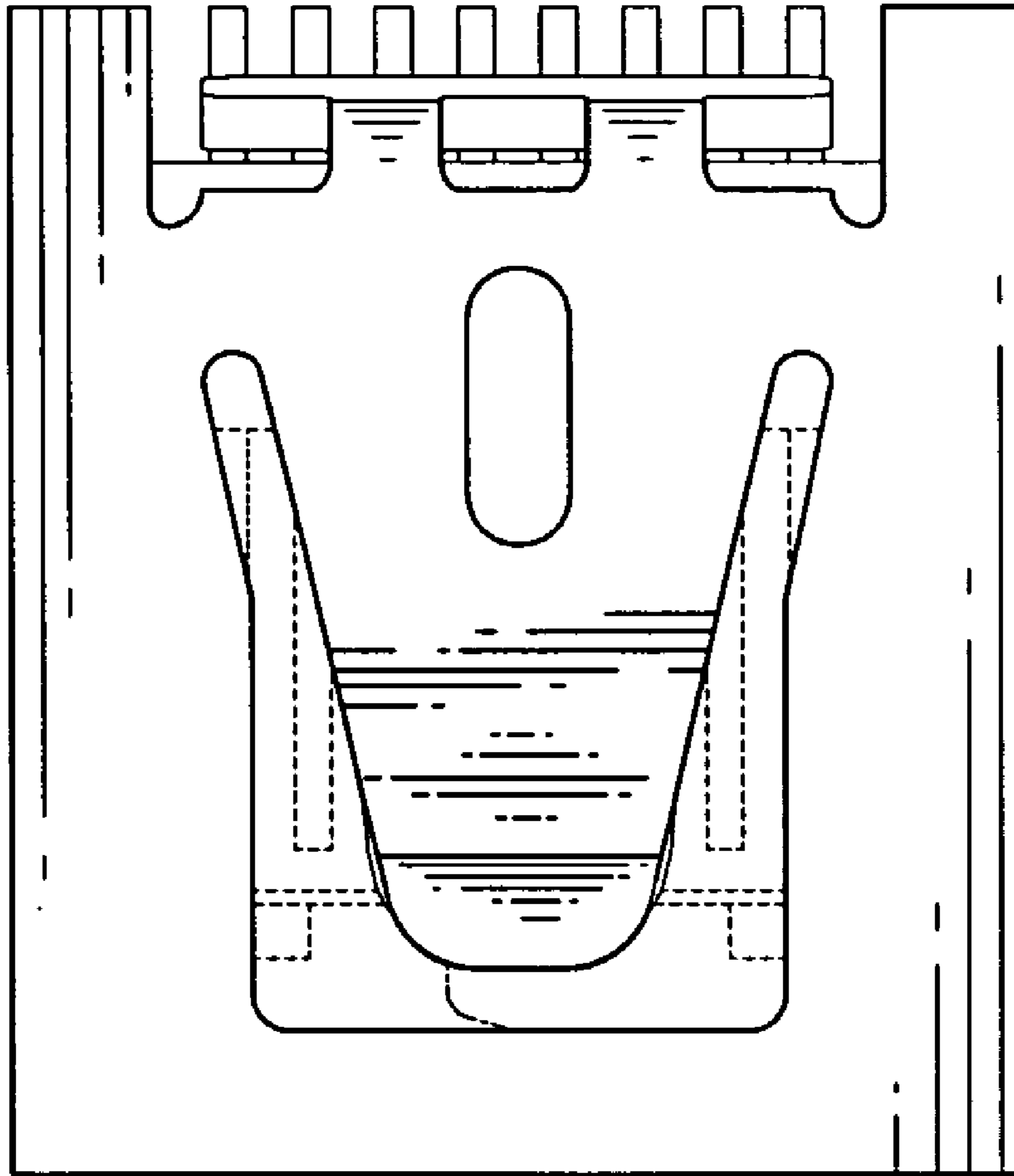


FIG. 6

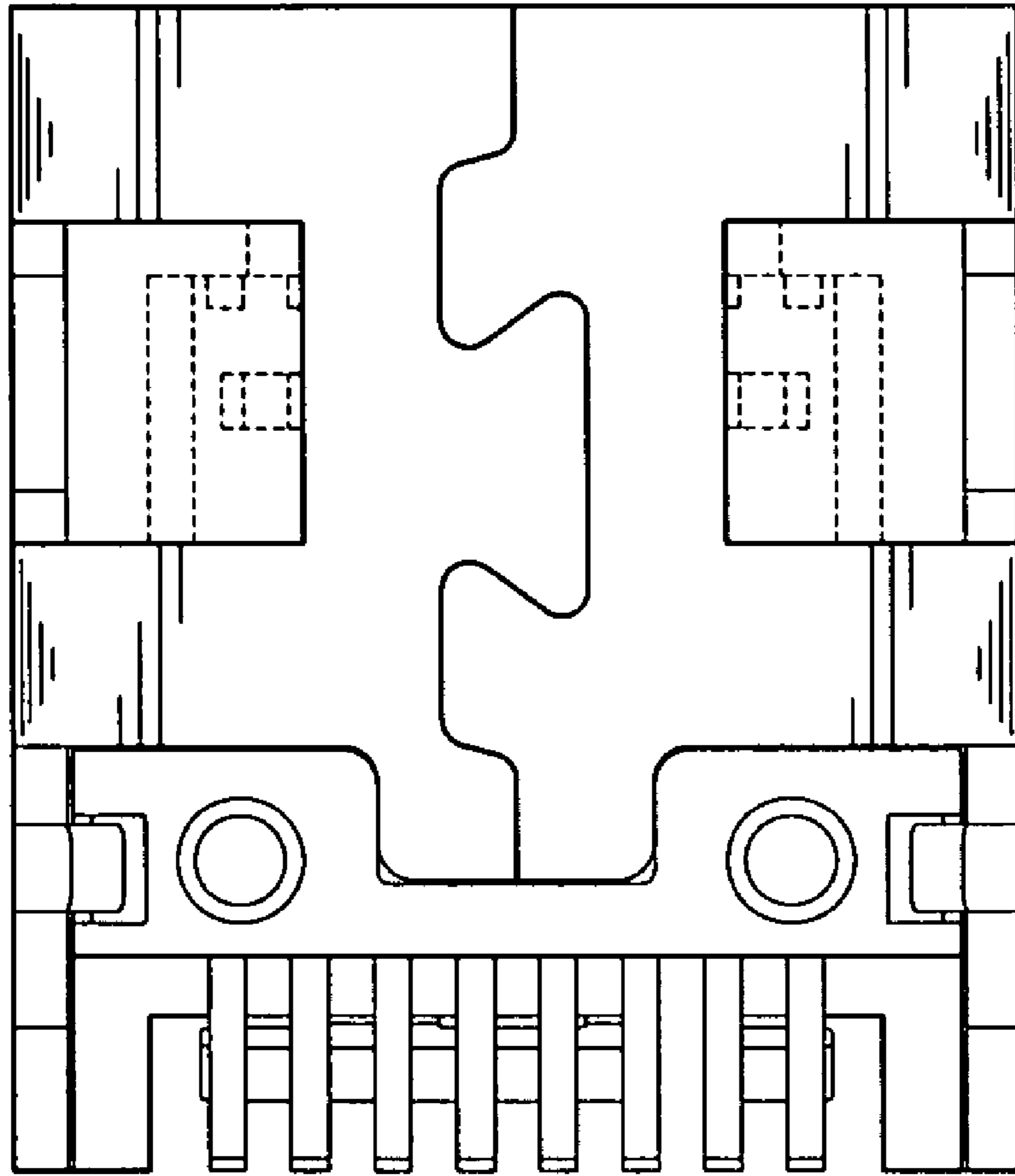


FIG. 7

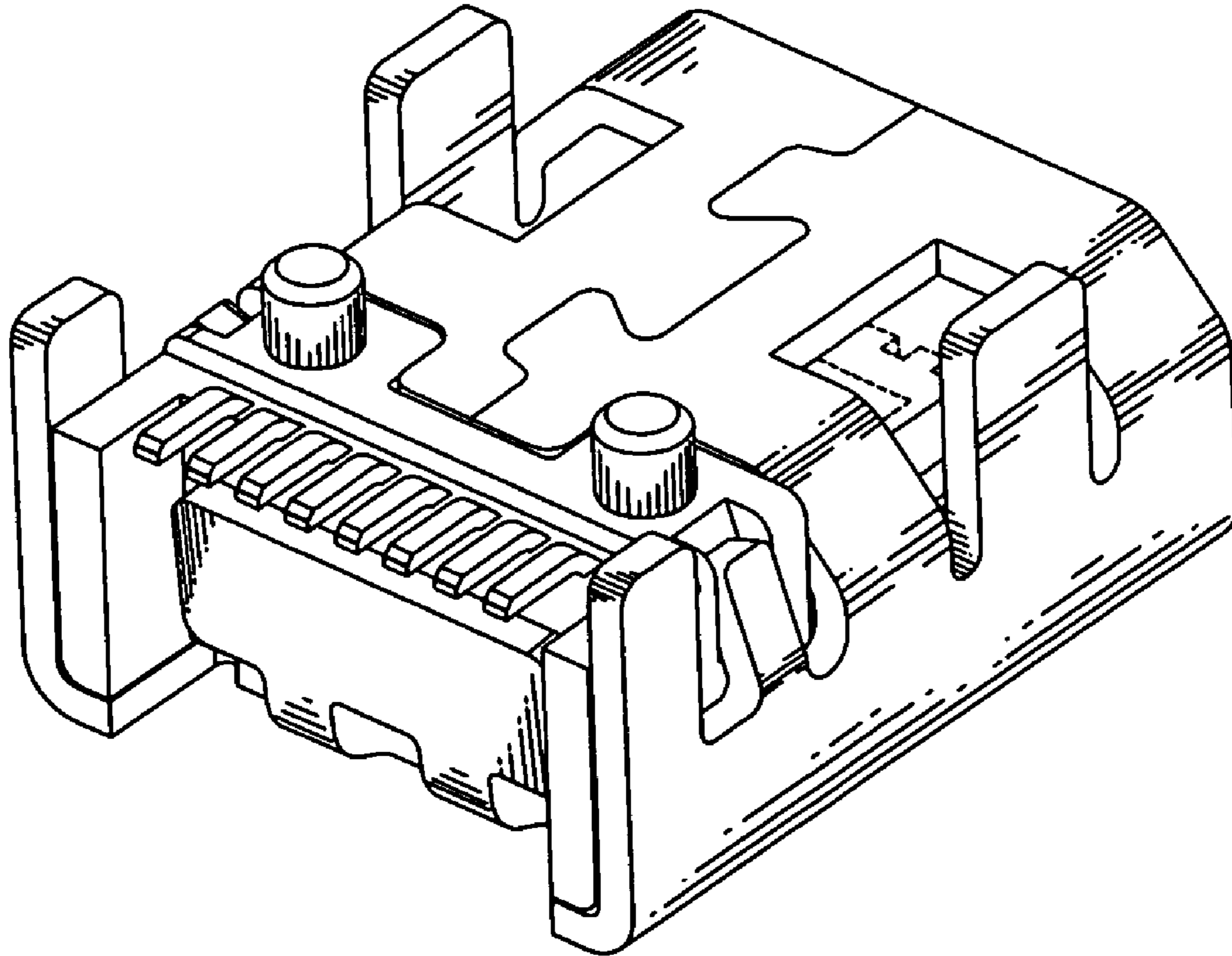


FIG. 8