



US00D608287S

(12) **United States Design Patent**  
**Zheng et al.**

(10) **Patent No.:** **US D608,287 S**  
(45) **Date of Patent:** **\*\* Jan. 19, 2010**

(54) **ELECTRICAL CONNECTOR ASSEMBLY**

(75) Inventors: **Qi-Sheng Zheng**, Kunshan (CN);  
**Ji-Chao Wang**, Kunshan (CN);  
**Chun-Ming Yu**, Kunshan (CN)

(73) Assignee: **Hon Hai Precision Ind. Co., Ltd**, Taipei  
Hsien (TW)

(\*\*) Term: **14 Years**

(21) Appl. No.: **29/293,621**

(22) Filed: **Dec. 4, 2007**

(30) **Foreign Application Priority Data**

Jun. 26, 2007 (CN) ..... 2007 3 0041171

(51) **LOC (9) Cl.** ..... **13-03**

(52) **U.S. Cl.** ..... **D13/147**

(58) **Field of Classification Search** ..... D13/120,  
D13/133, 146-147, 154, 184; 439/607-610,  
439/613-614, 675-677, 680

See application file for complete search history.

(56) **References Cited**

**U.S. PATENT DOCUMENTS**

D460,045 S \* 7/2002 Larsen ..... D13/147  
D550,628 S \* 9/2007 Whiteman et al. .... D13/147  
D556,141 S \* 11/2007 Whiteman et al. .... D13/147

D561,108 S \* 2/2008 Cuff et al. .... D13/147  
D561,698 S \* 2/2008 Cuff et al. .... D13/147  
D562,775 S \* 2/2008 Cuff et al. .... D13/147  
D578,486 S \* 10/2008 Uramatsu et al. .... D13/154

\* cited by examiner

*Primary Examiner*—Daniel D Bui

(74) *Attorney, Agent, or Firm*—Wei Te Chung; Andrew C.  
Cheng; Ming Chieh Chang

(57) **CLAIM**

The ornamental design for an electrical connector assembly,  
as shown and described.

**DESCRIPTION**

FIG. 1 is a front, top and right side perspective view of an  
electrical connector assembly showing our new design;

FIG. 2 is a front elevational view thereof;

FIG. 3 is a rear elevational view thereof;

FIG. 4 is a left side elevational view thereof;

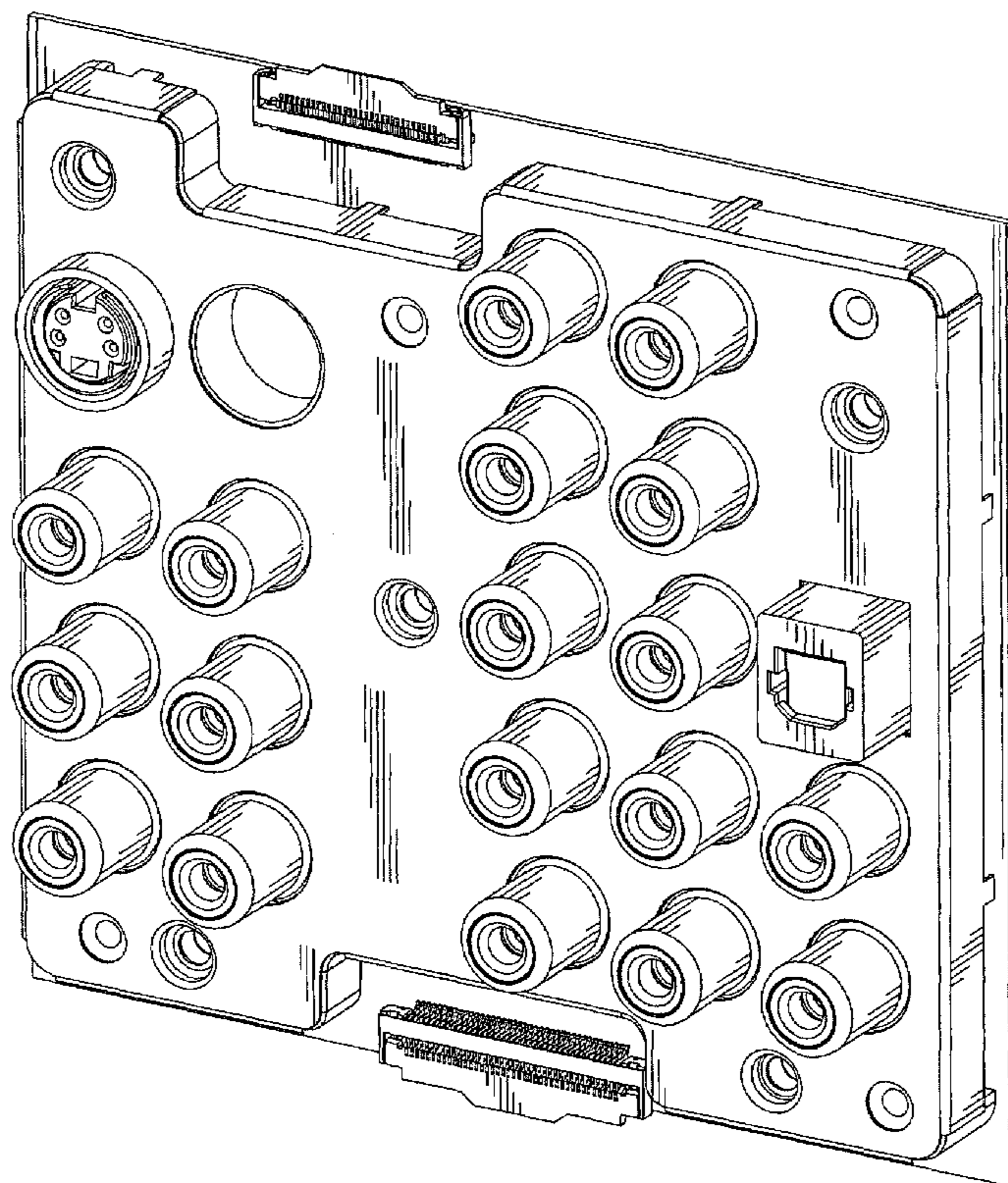
FIG. 5 is a right side elevational view thereof;

FIG. 6 is a top plan view thereof; and,

FIG. 7 is a bottom plan view thereof.

The broken line portion in the drawing views is included to  
show unclaimed subject matter only and forms no part of the  
claimed design.

**1 Claim, 7 Drawing Sheets**



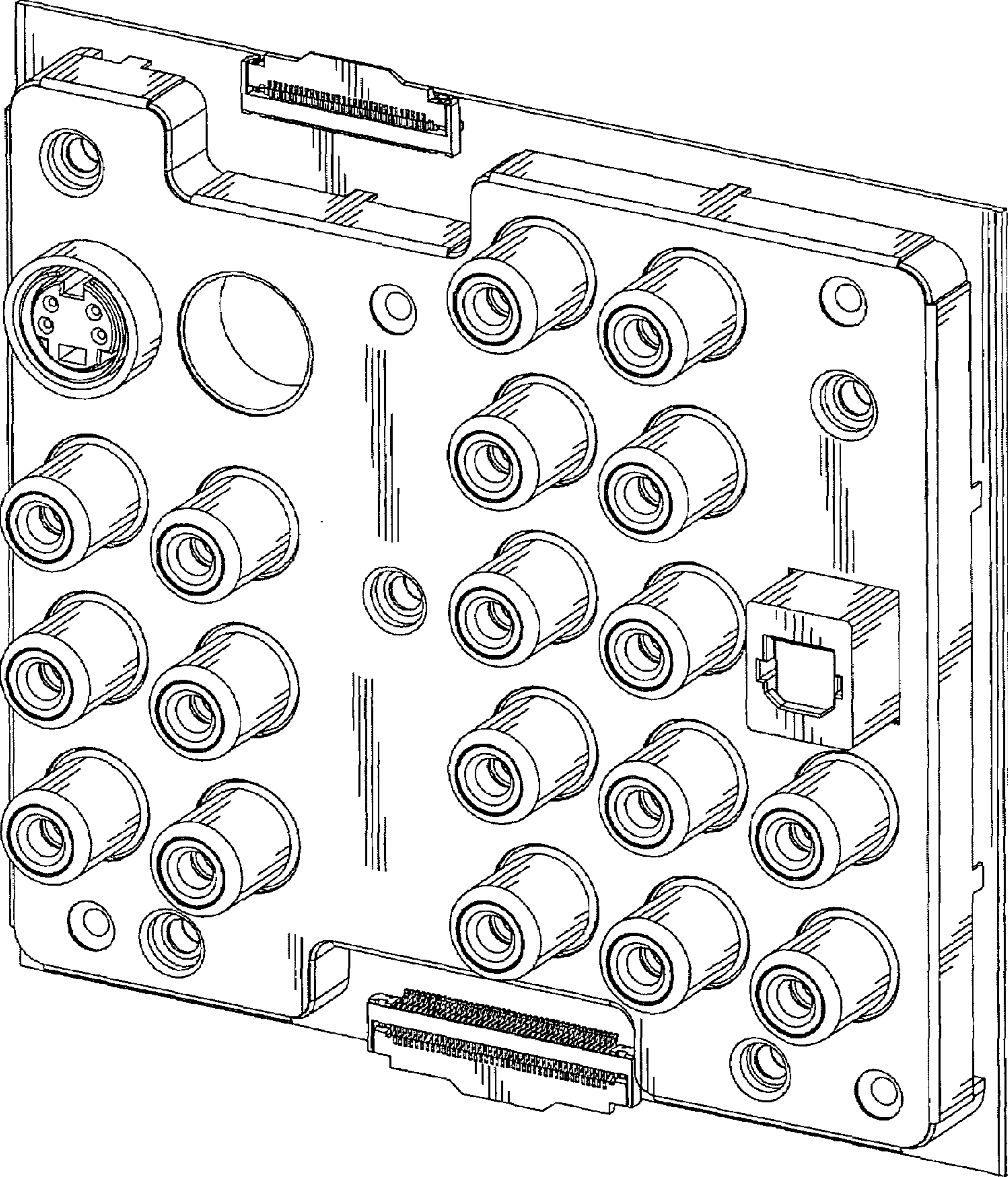


FIG. 1

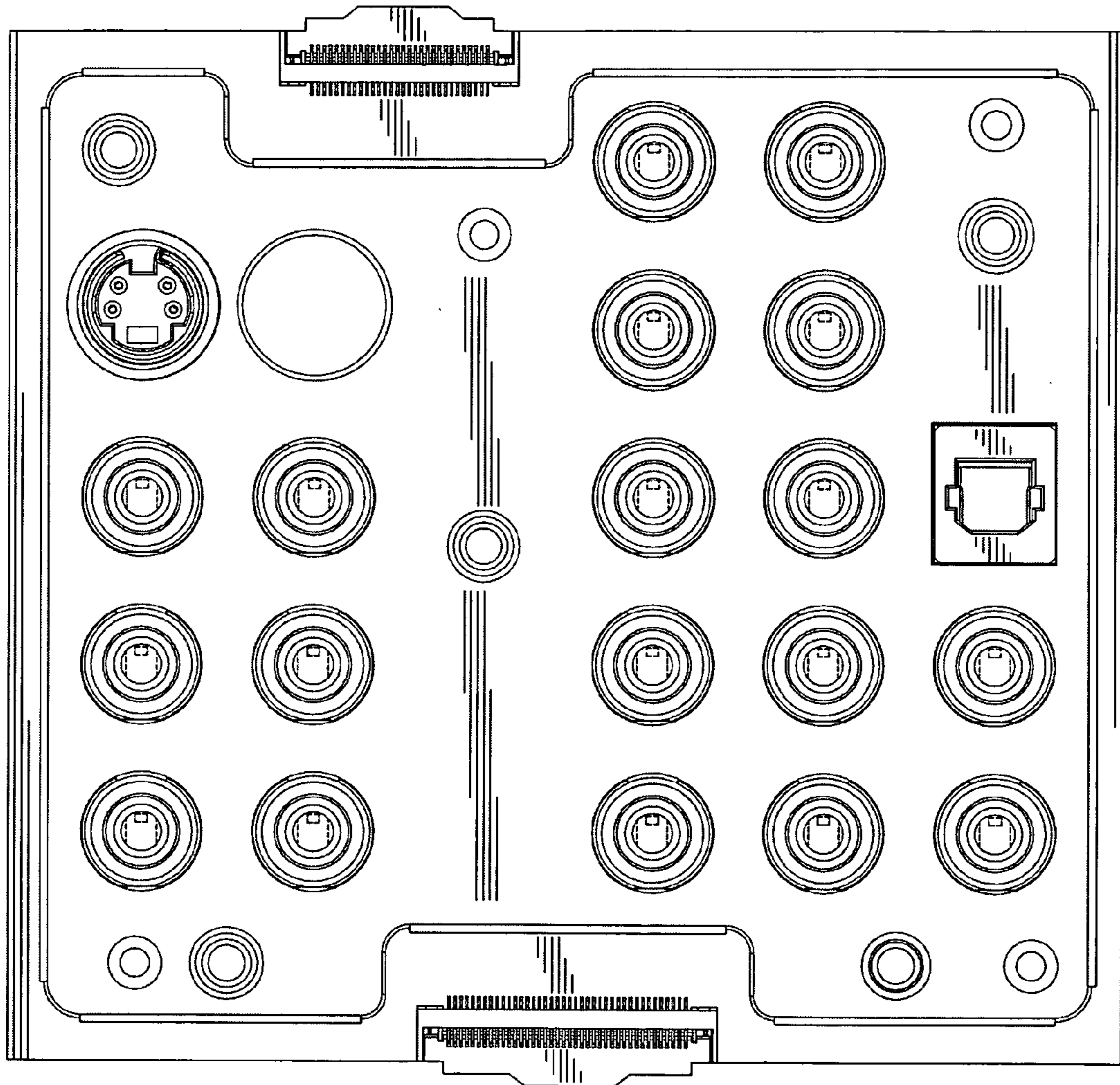


FIG. 2

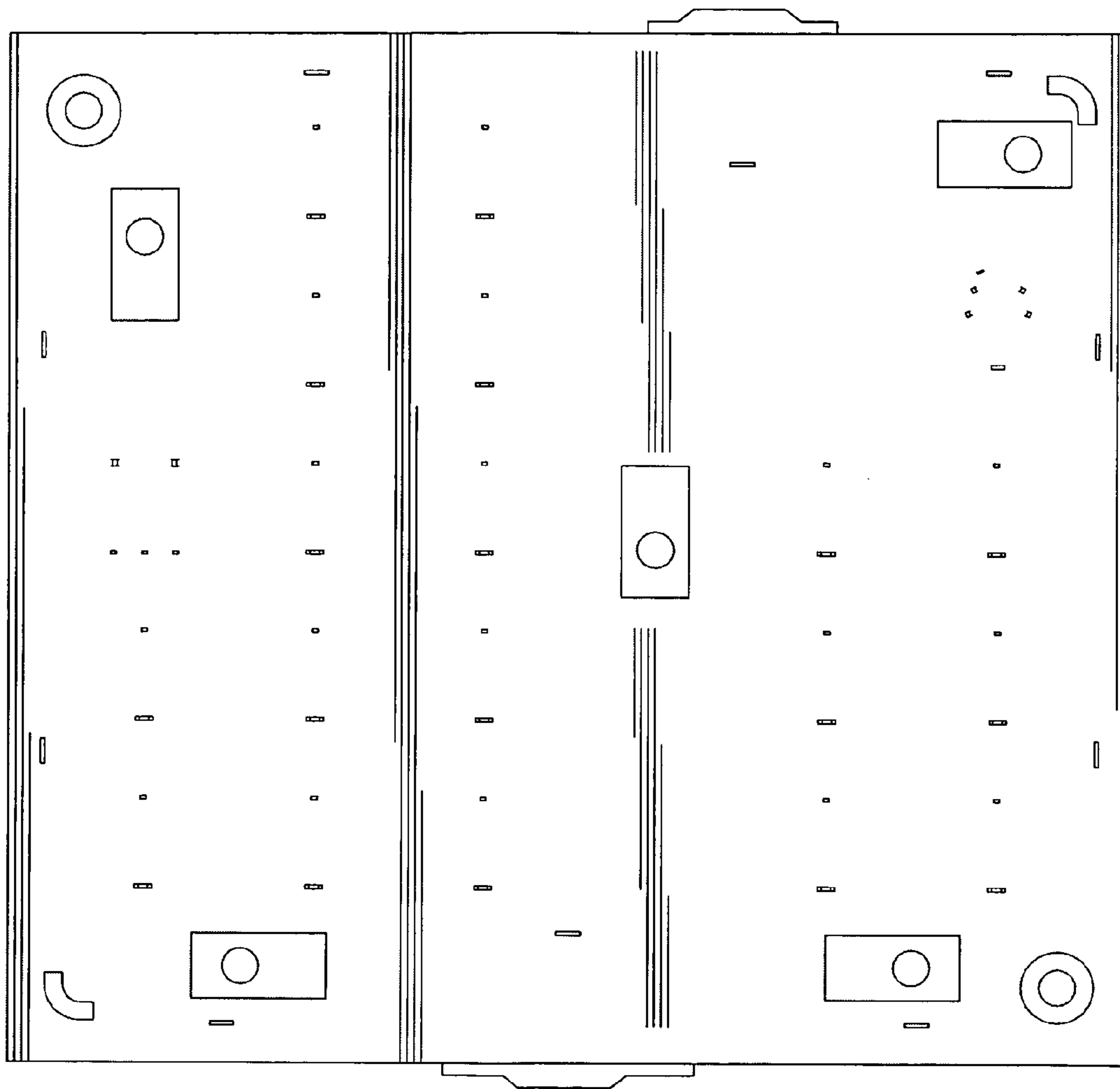


FIG. 3

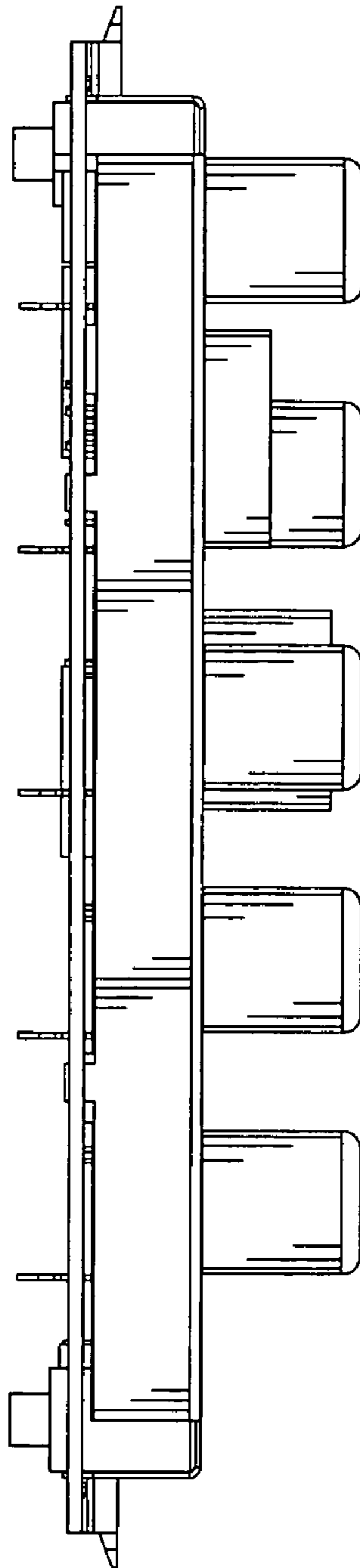


FIG. 4

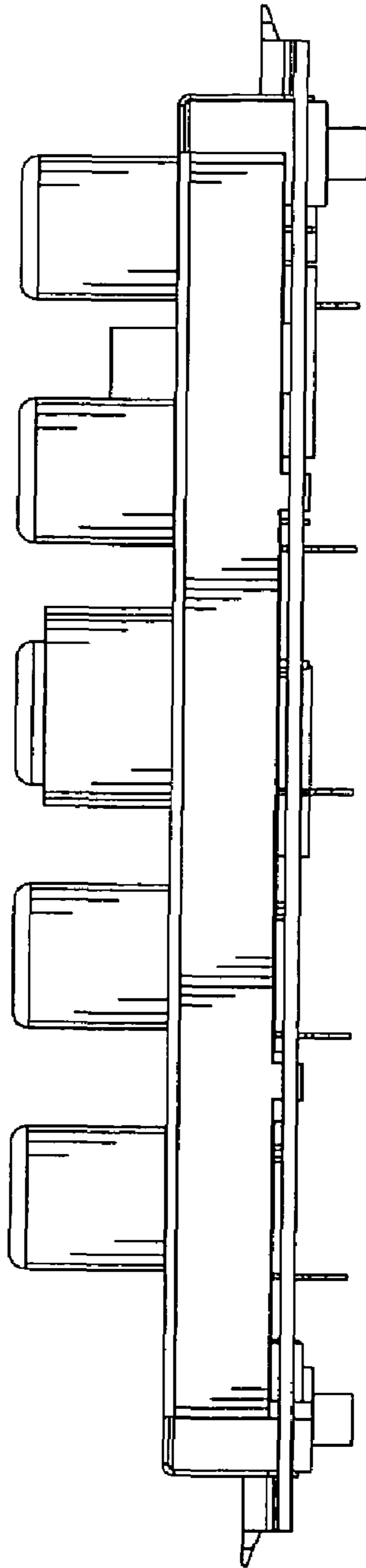


FIG. 5

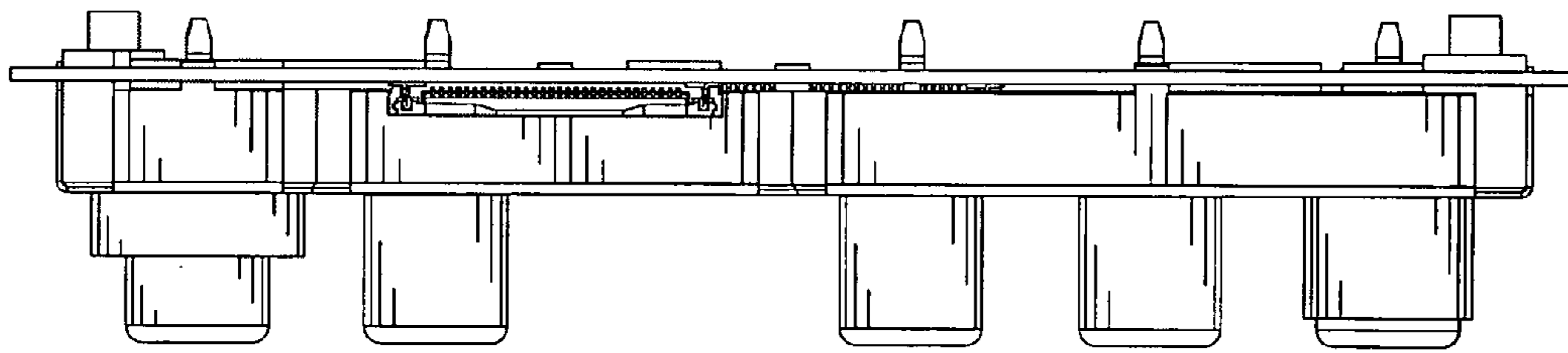


FIG. 6

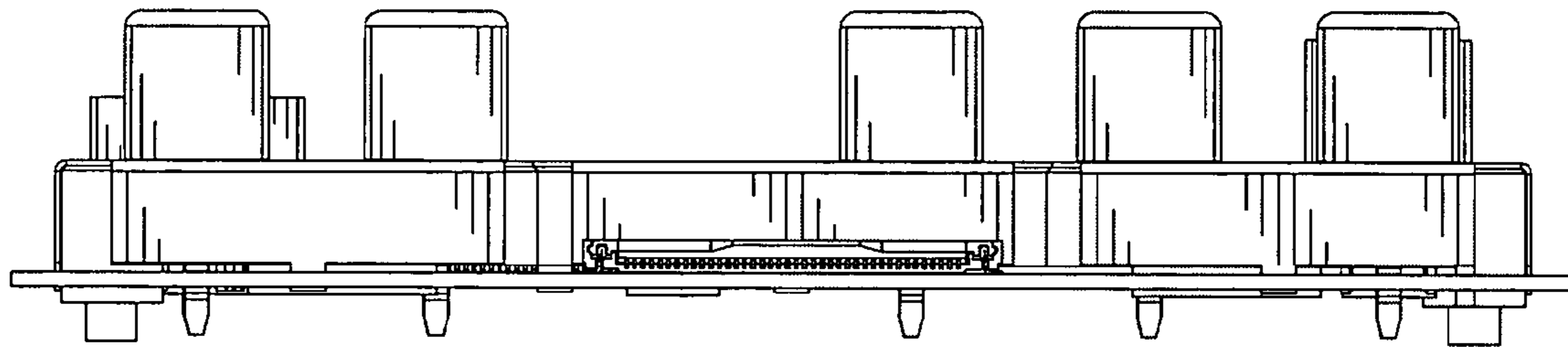


FIG. 7