



US00D608286S

(12) **United States Design Patent**  
**Stütz**

(10) **Patent No.:** **US D608,286 S**  
(45) **Date of Patent:** **\*\* Jan. 19, 2010**

(54) **ELECTRICAL CONNECTOR**

(75) Inventor: **Oliver Stütz**, Munich (DE)

(73) Assignee: **Compagnie Deutsch GmbH**,  
Martinsried (DE)

(\*\*) Term: **14 Years**

(21) Appl. No.: **29/280,201**

(22) Filed: **May 21, 2007**

(30) **Foreign Application Priority Data**

Apr. 17, 2007 (EM) ..... 000708300-0001

(51) **LOC (9) Cl.** ..... **13-03**

(52) **U.S. Cl.** ..... **D13/147**

(58) **Field of Classification Search** ..... D13/133,  
D13/146-147, 154, 184; 439/284, 290, 291,  
439/460, 463, 638, 607-610, 676

See application file for complete search history.

(56) **References Cited**

**U.S. PATENT DOCUMENTS**

D186,887 S \* 12/1959 Yarick, Jr. .... D13/133

D298,313 S \* 11/1988 De Jong ..... D13/133

D408,357 S \* 4/1999 Kichise ..... D13/146

D415,102 S \* 10/1999 Suzuki et al. .... D13/133

D573,095 S \* 7/2008 Poupore et al. .... D13/133

\* cited by examiner

*Primary Examiner*—Daniel D Bui

(74) *Attorney, Agent, or Firm*—Quarles & Brady LLP

(57) **CLAIM**

The ornamental design for an electrical connector, as shown and described.

**DESCRIPTION**

FIG. 1 is a top, front perspective view of an electrical connector showing my new design;

FIG. 2 is a front elevational view thereof;

FIG. 3 is a left side elevational view thereof;

FIG. 4 is a right side elevational view thereof;

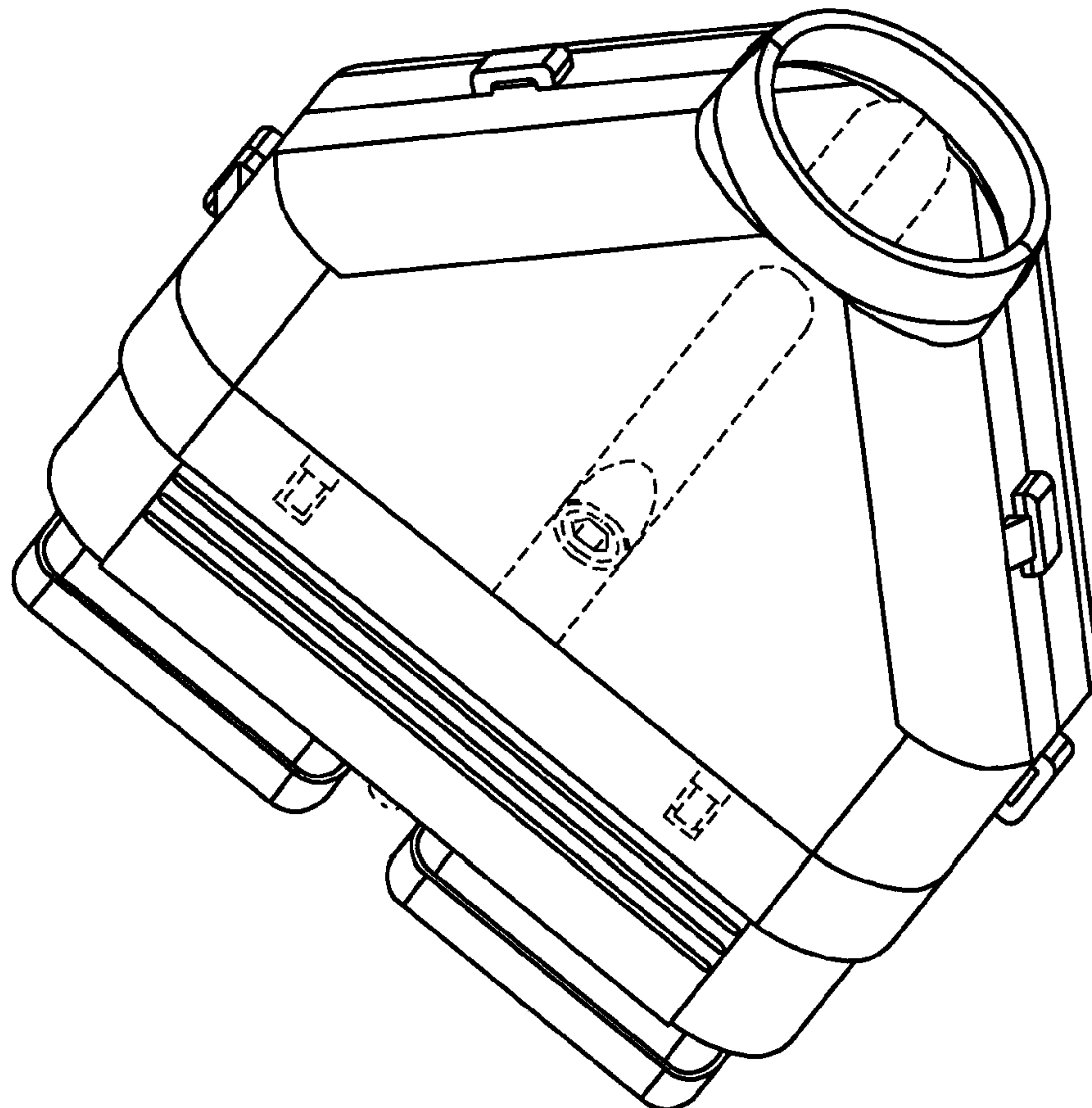
FIG. 5 is a rear elevational view thereof;

FIG. 6 is a top view thereof; and,

FIG. 7 is a bottom view thereof.

The broken lines in FIGS. 1-7 are for purposes of illustration only, and form no part of the claimed design.

**1 Claim, 7 Drawing Sheets**



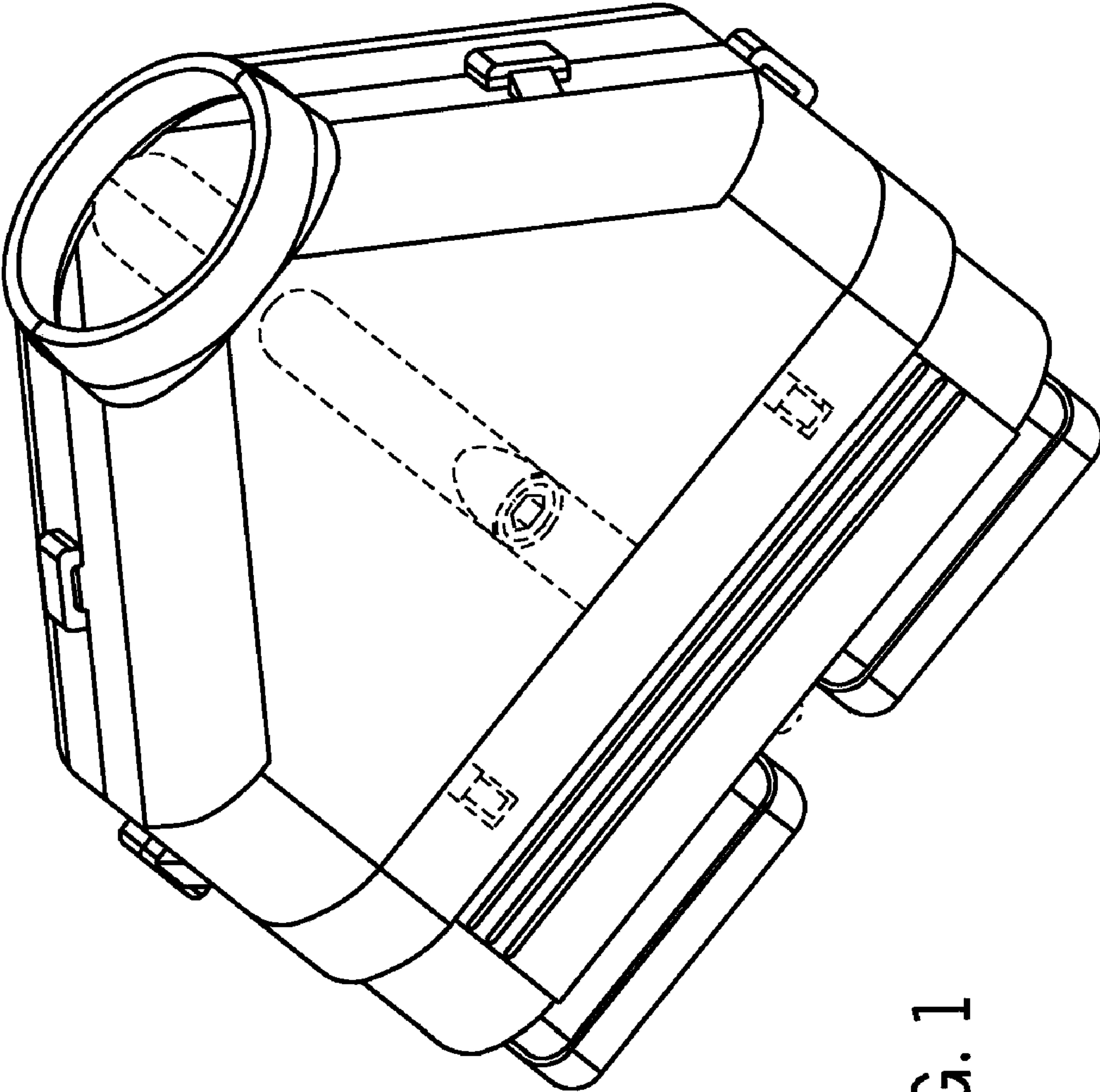


FIG. 1

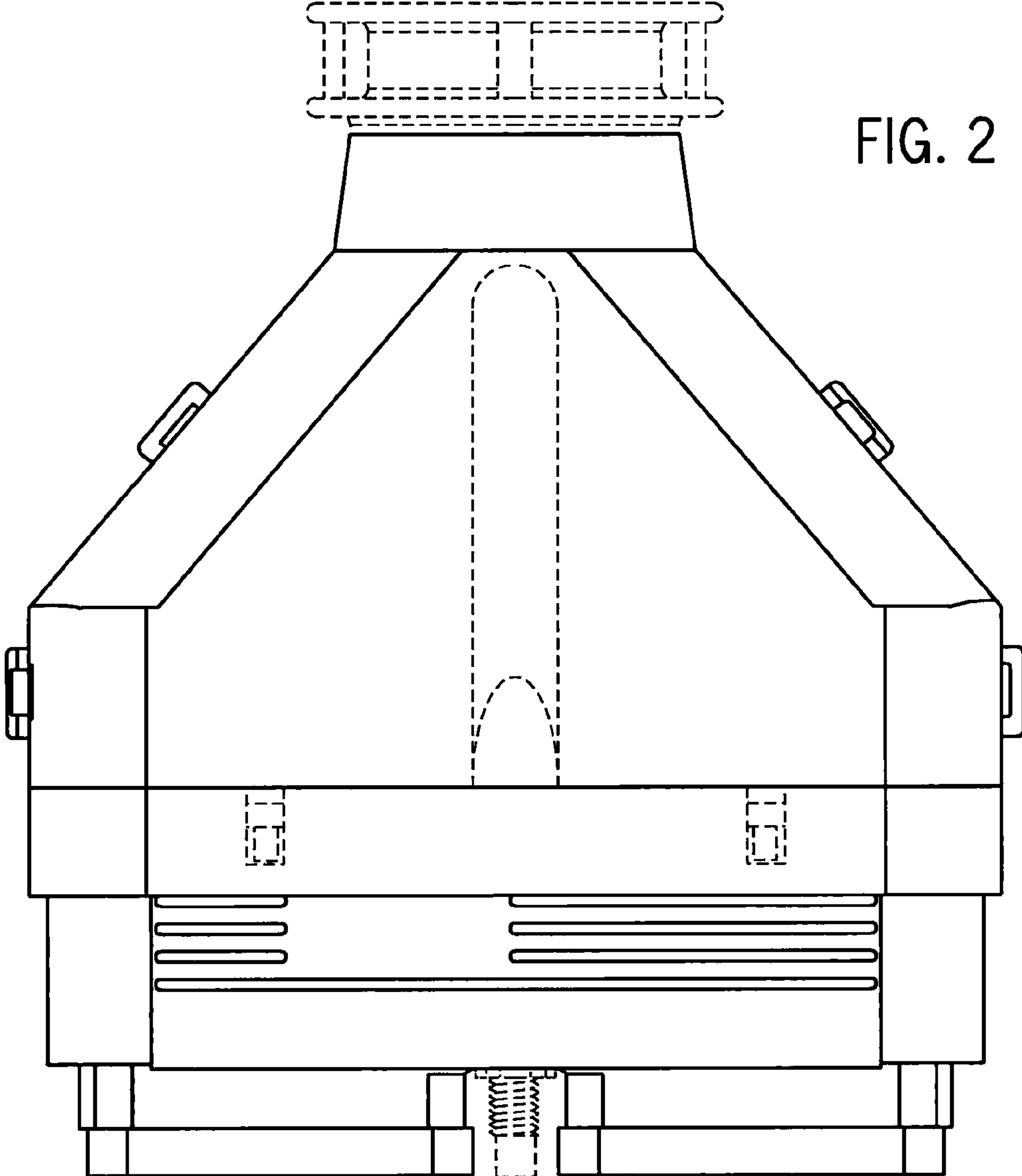


FIG. 2

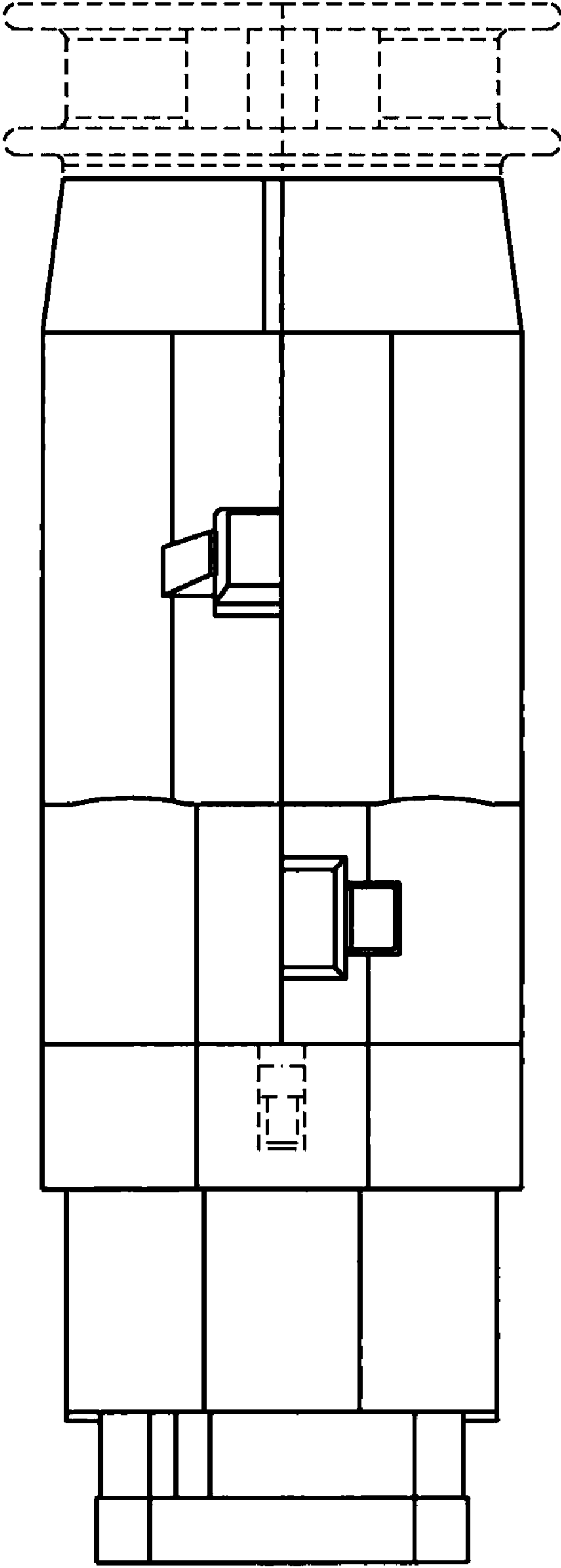


FIG. 3

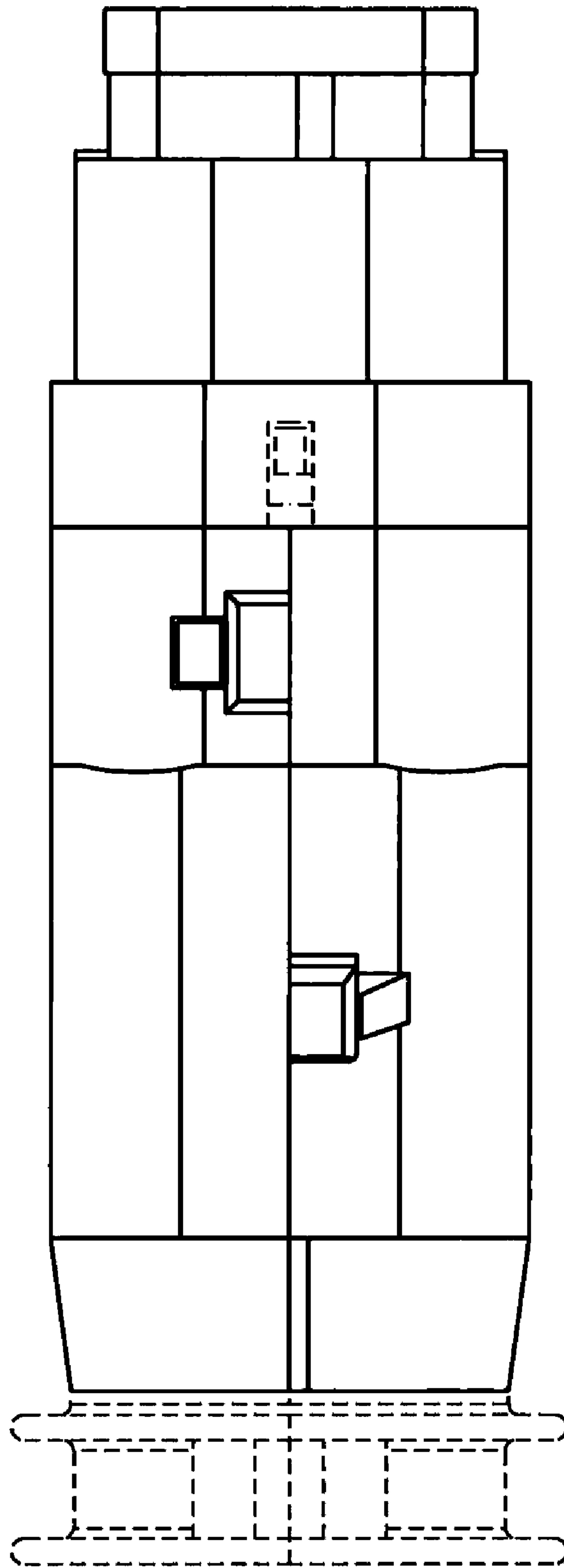
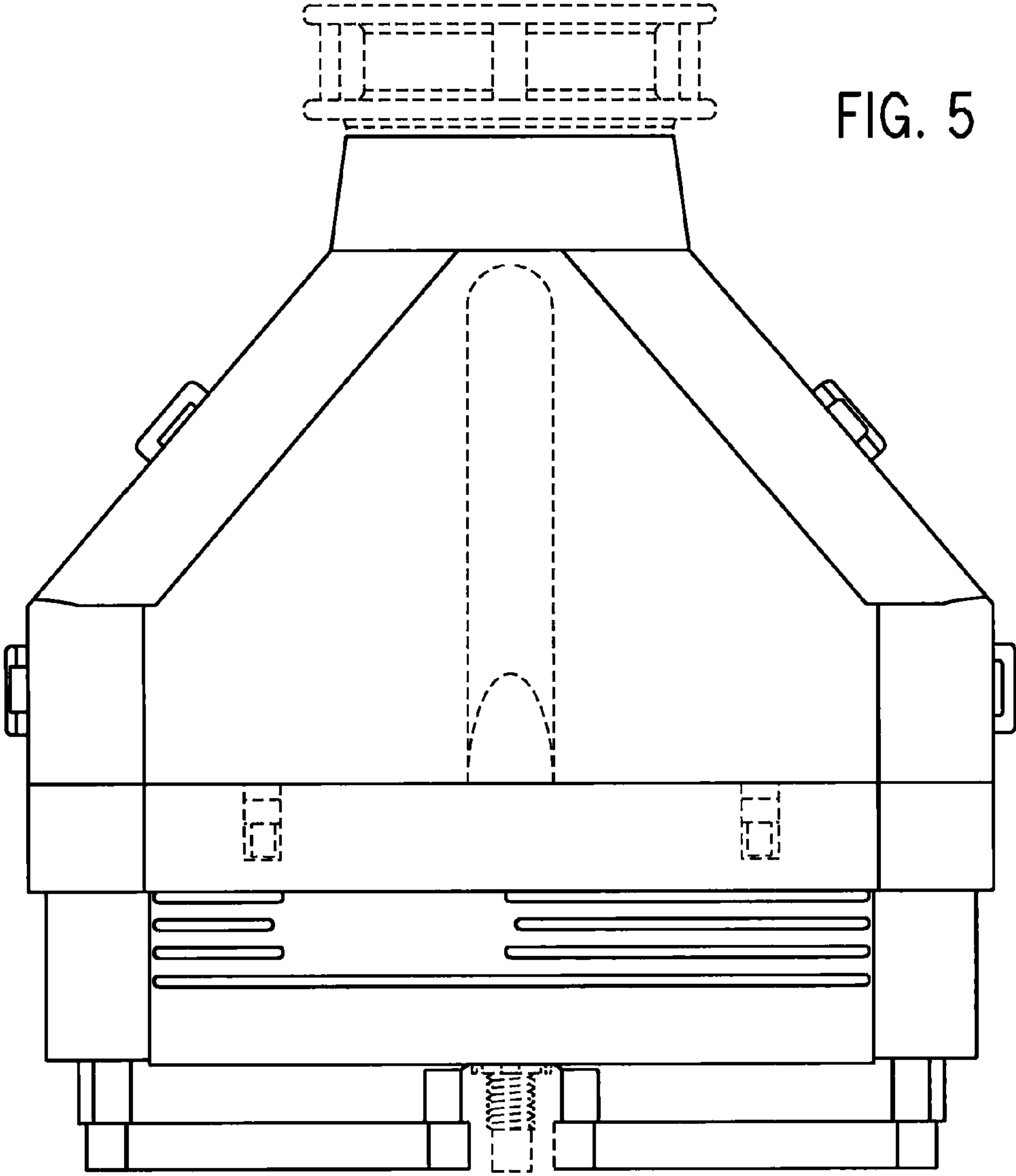


FIG. 4



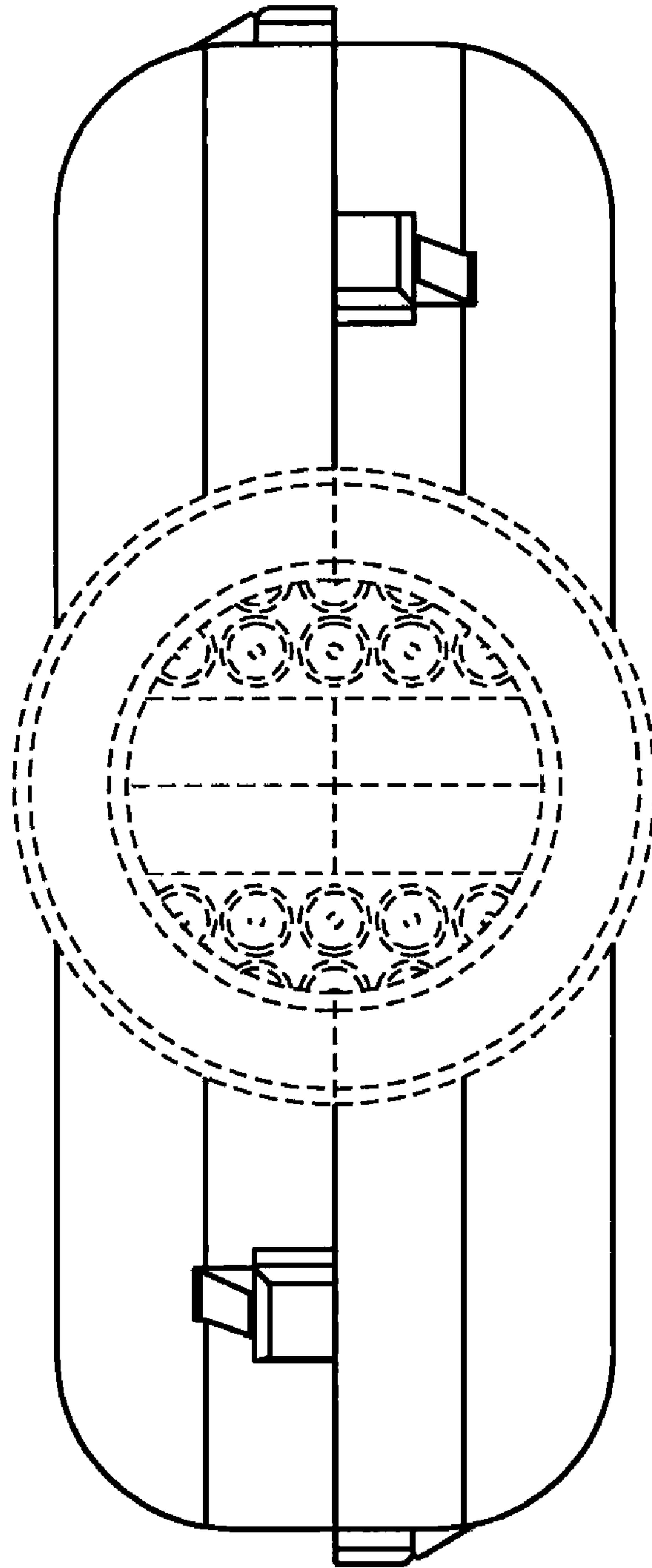


FIG. 6



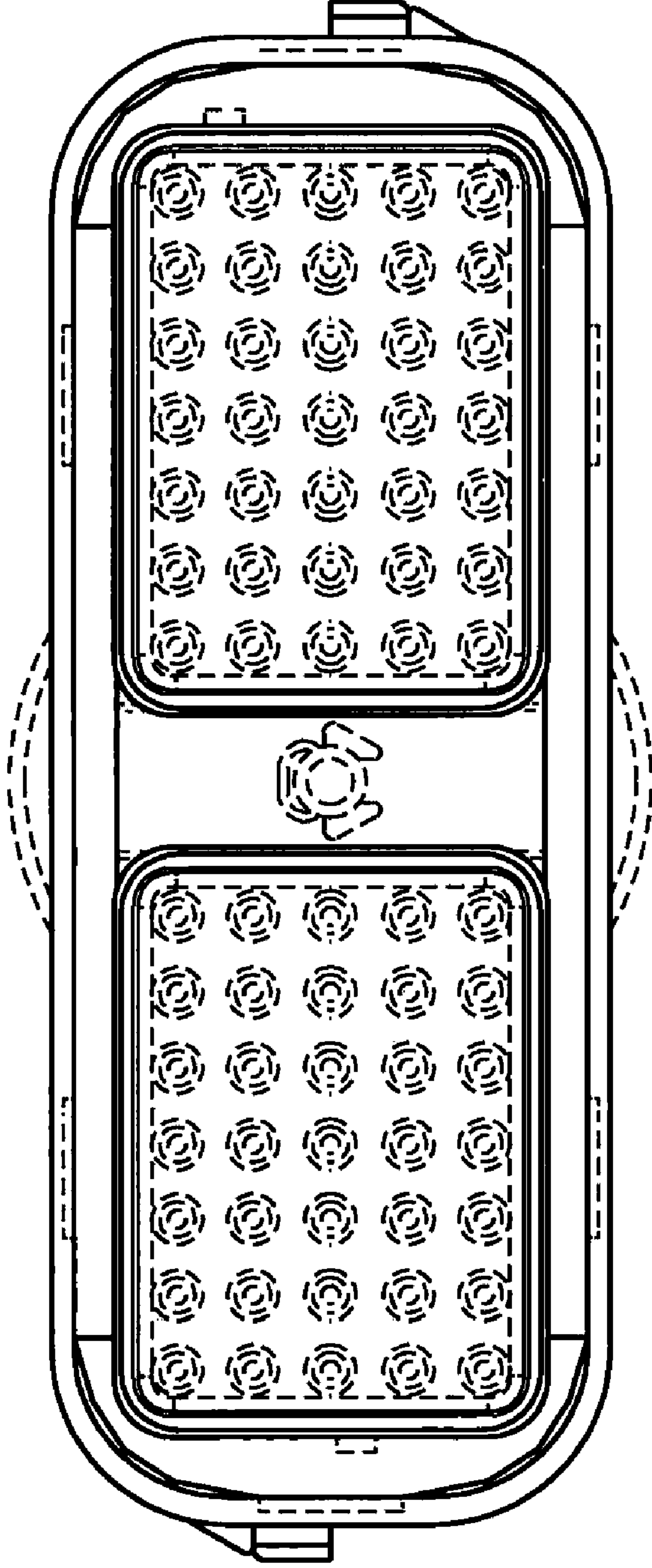


FIG. 7