



US00D608282S

(12) **United States Design Patent**  
**Presz, Jr. et al.**

(10) **Patent No.:** **US D608,282 S**  
(45) **Date of Patent:** **\*\* Jan. 19, 2010**

(54) **WIND TURBINE**

(75) Inventors: **Walter M. Presz, Jr.**, Wilbraham, MA (US); **Michael J. Werle**, West Hartford, CT (US)

(73) Assignee: **FloDesign Wind Turbine Corporation**, Wilbraham, MA (US)

(\*\*) Term: **14 Years**

(21) Appl. No.: **29/328,993**

(22) Filed: **Dec. 5, 2008**

(51) **LOC (9) Cl.** ..... **13-01**  
(52) **U.S. Cl.** ..... **D13/115**  
(58) **Field of Classification Search** ..... D13/115,  
D13/118, 122, 199; D12/344, 345; D15/1,  
D15/199; D21/458; 290/52, 54, 55; 415/916;  
416/24, 31, 37, 38, 132 B, 132 R, 141, 142,  
416/176, 177, 196 A

See application file for complete search history.

(56) **References Cited**

**U.S. PATENT DOCUMENTS**

D252,877 S *	9/1979	Hanson	.....	D15/1
4,297,076 A *	10/1981	Donham et al.	.....	416/37
D267,951 S *	2/1983	Smith	.....	D15/1
4,398,096 A *	8/1983	Faurholtz	.....	290/55
D305,419 S *	1/1990	Korneski	.....	D13/115
6,168,373 B1 *	1/2001	Vauthier	.....	415/7

D487,060 S *	2/2004	Ehrenberger	.....	D13/115
D517,986 S *	3/2006	Wobben	.....	D13/115
D543,495 S *	5/2007	Williams	.....	D12/345

\* cited by examiner

*Primary Examiner*—Prabhakar Deshmukh

*Assistant Examiner*—Derrick Holland

(74) *Attorney, Agent, or Firm*—Fay Sharpe LLP

(57) **CLAIM**

The ornamental design for a wind turbine, as shown and described.

**DESCRIPTION**

FIG. 1 is a front right perspective view of a wind turbine showing our new design;

FIG. 2 is a rear right perspective view thereof;

FIG. 3 is a front elevation view thereof;

FIG. 4 is a side elevation view thereof;

FIG. 5 is a rear elevation view thereof;

FIG. 6 is a side elevation view thereof, the opposite of that in FIG. 4;

FIG. 7 is a top plan view thereof; and,

FIG. 8 is a bottom plan view thereof.

The portions shown in broken lines are for illustrative purposes only, and form no part of the claimed design.

**1 Claim, 4 Drawing Sheets**

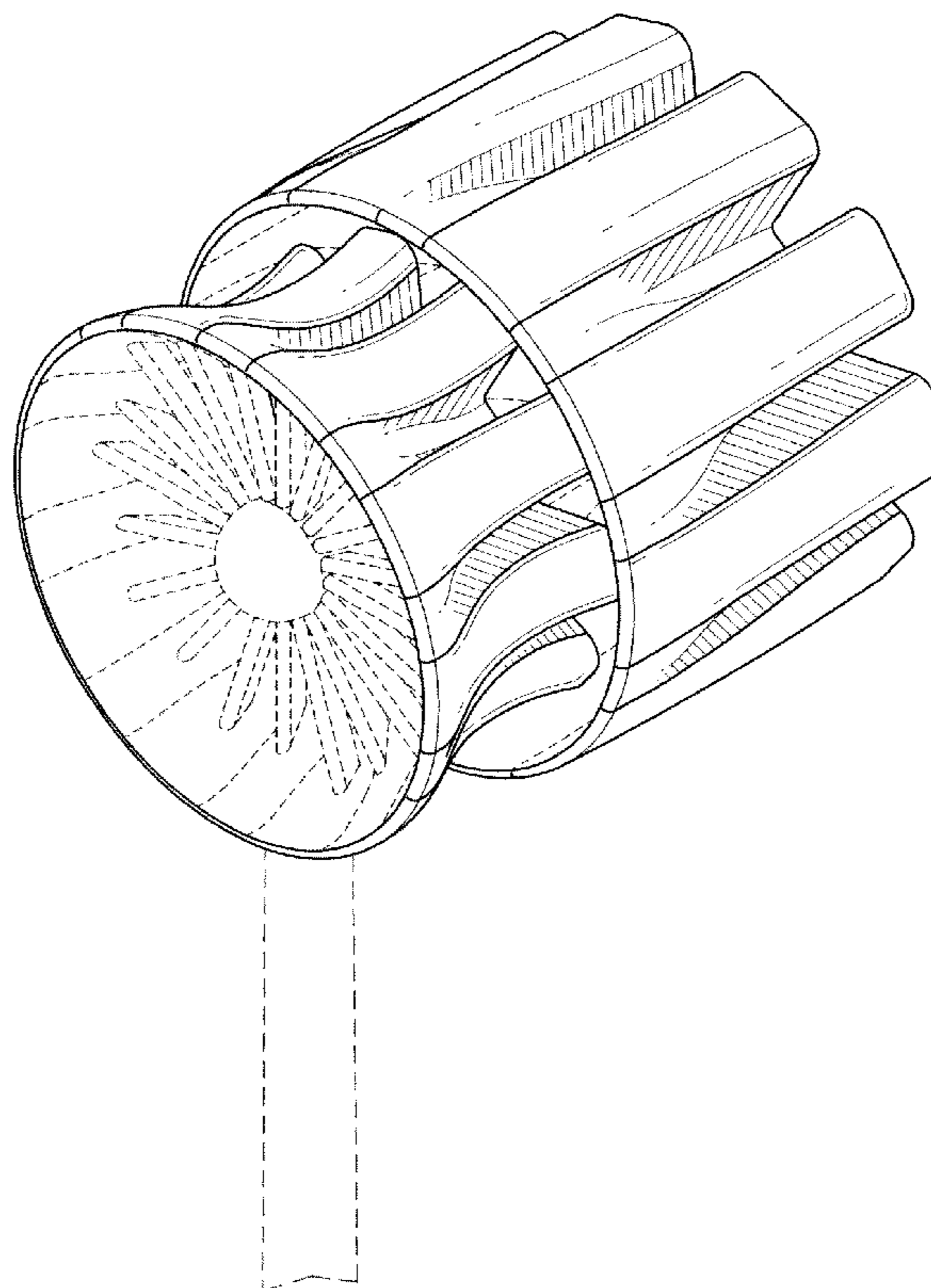


FIG. 1

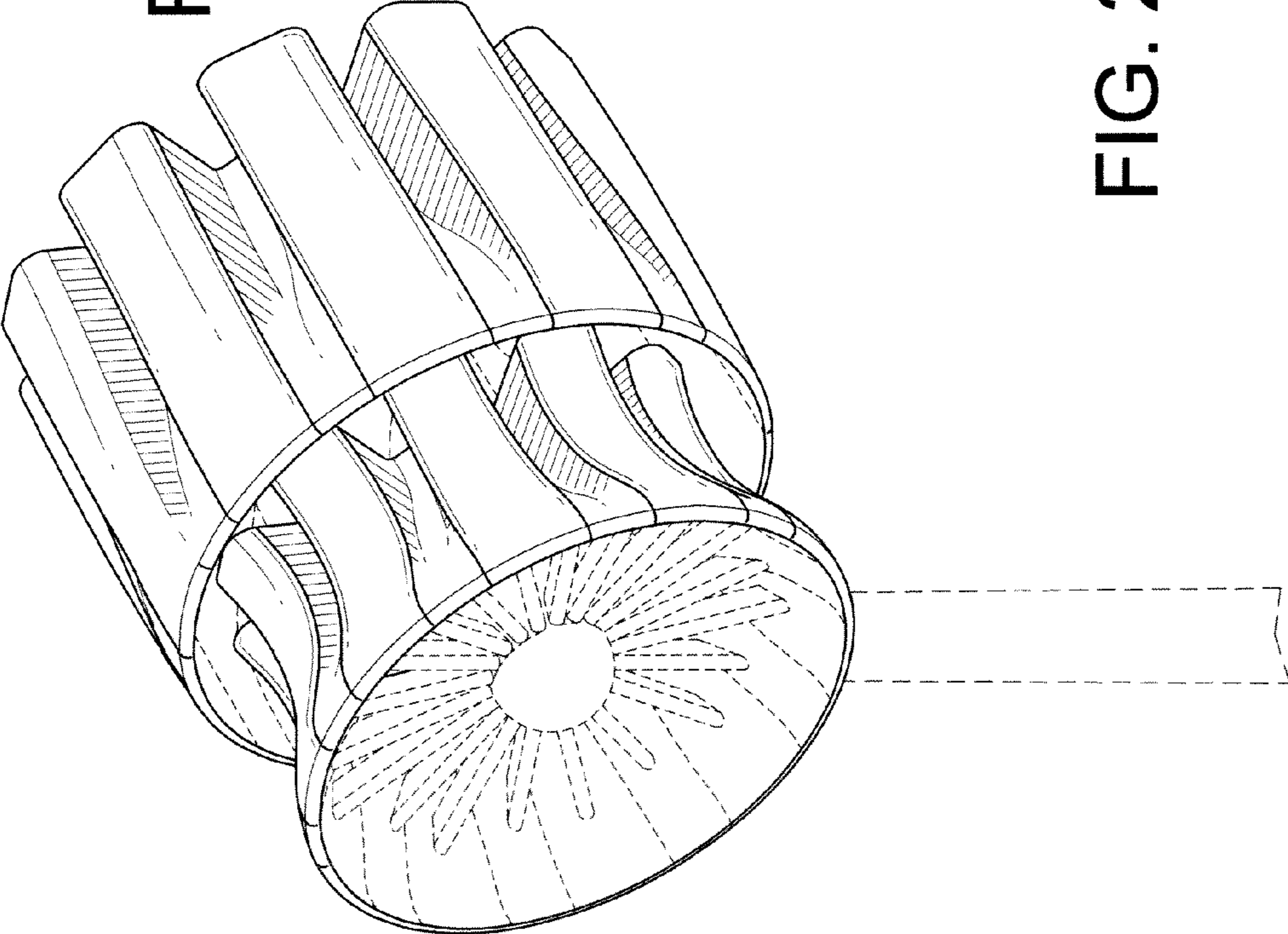
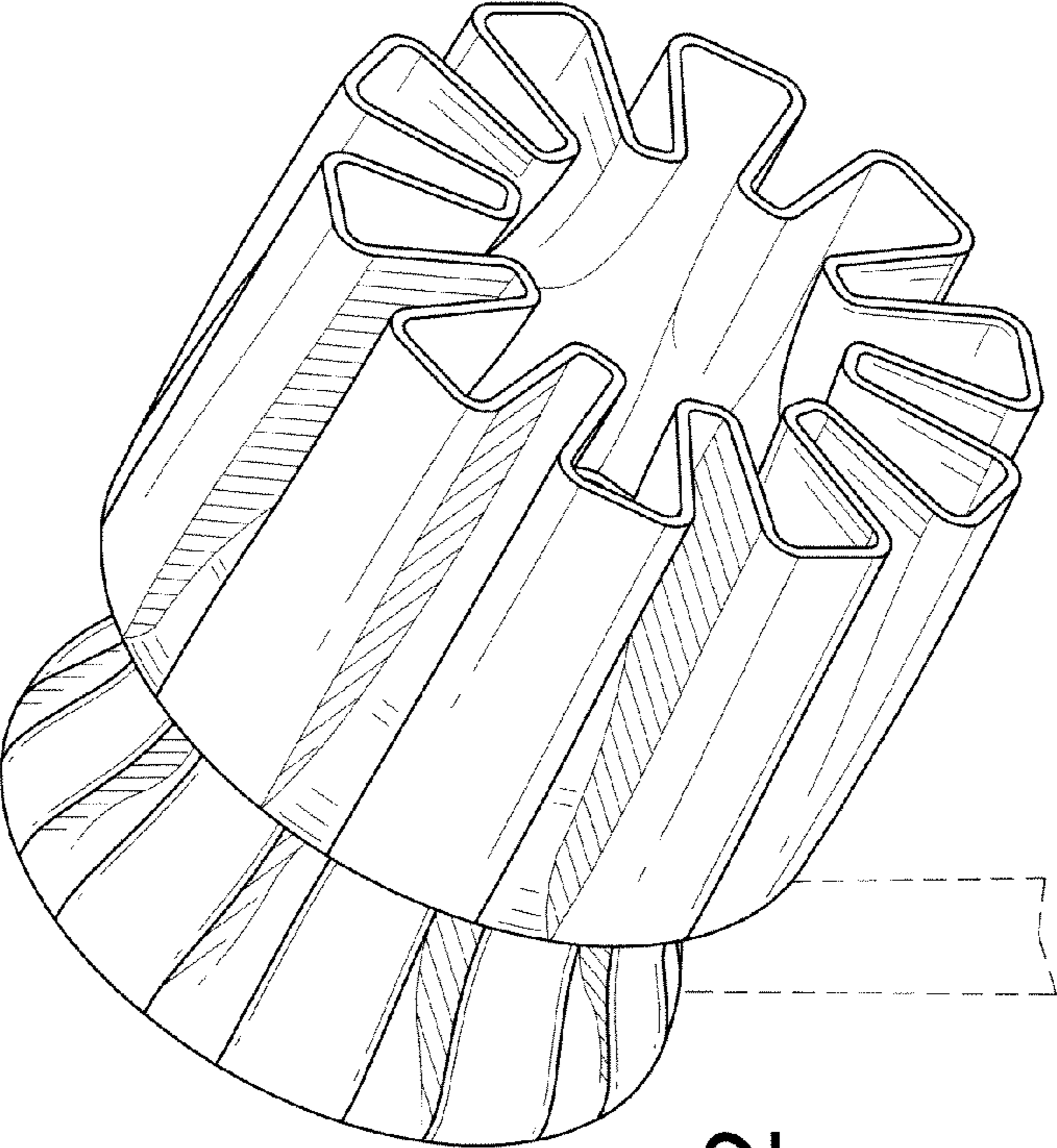


FIG. 2



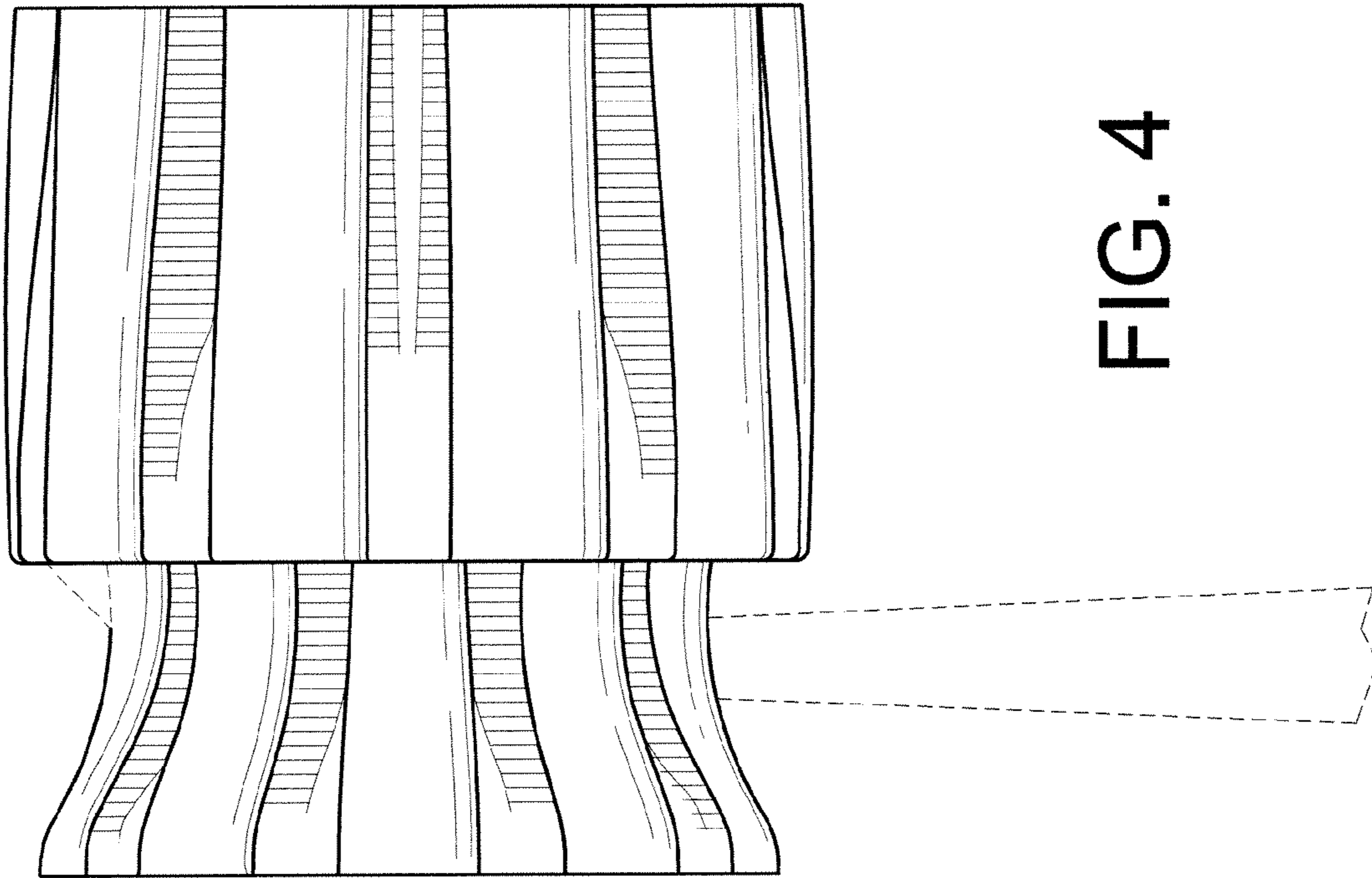


FIG. 4

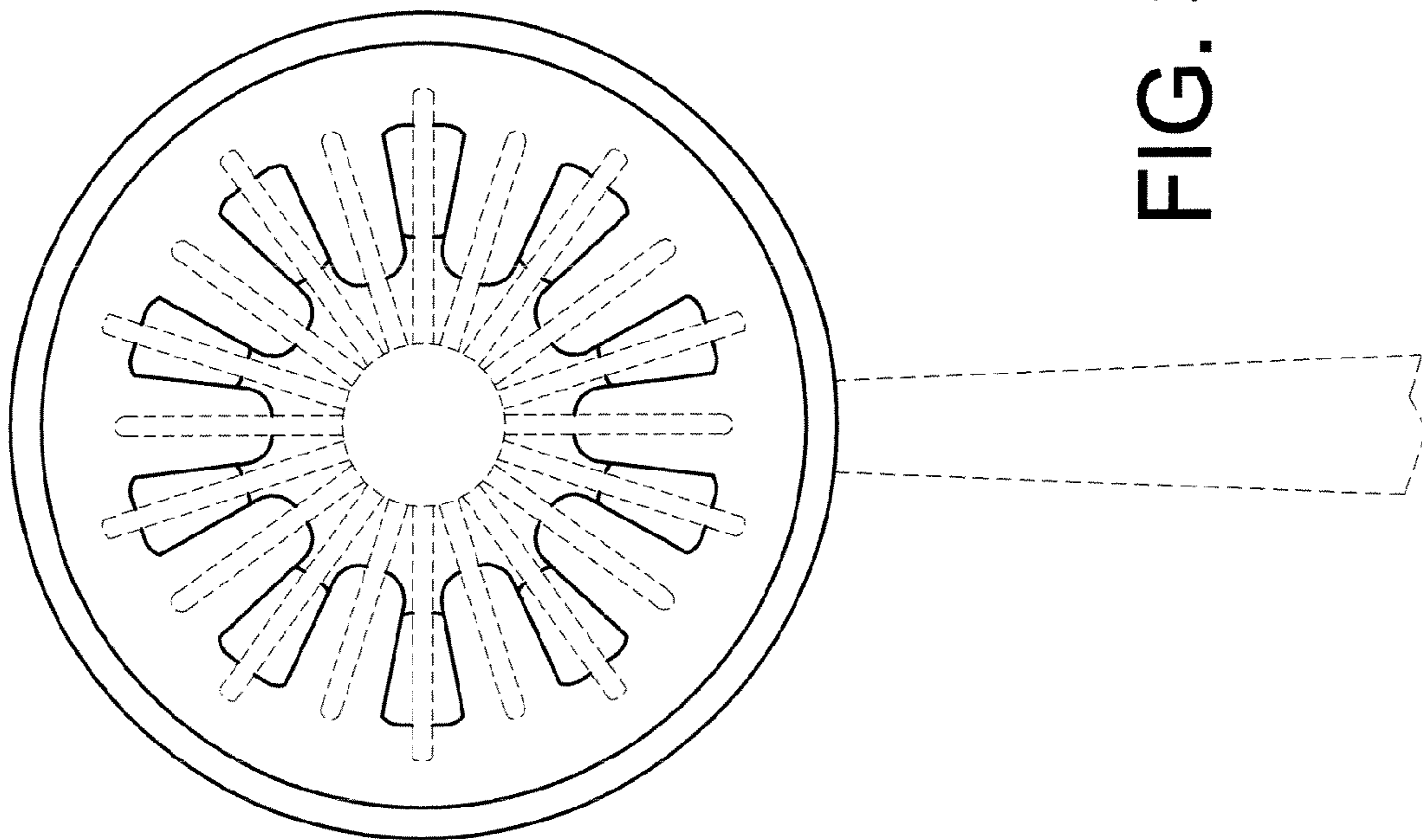


FIG. 3

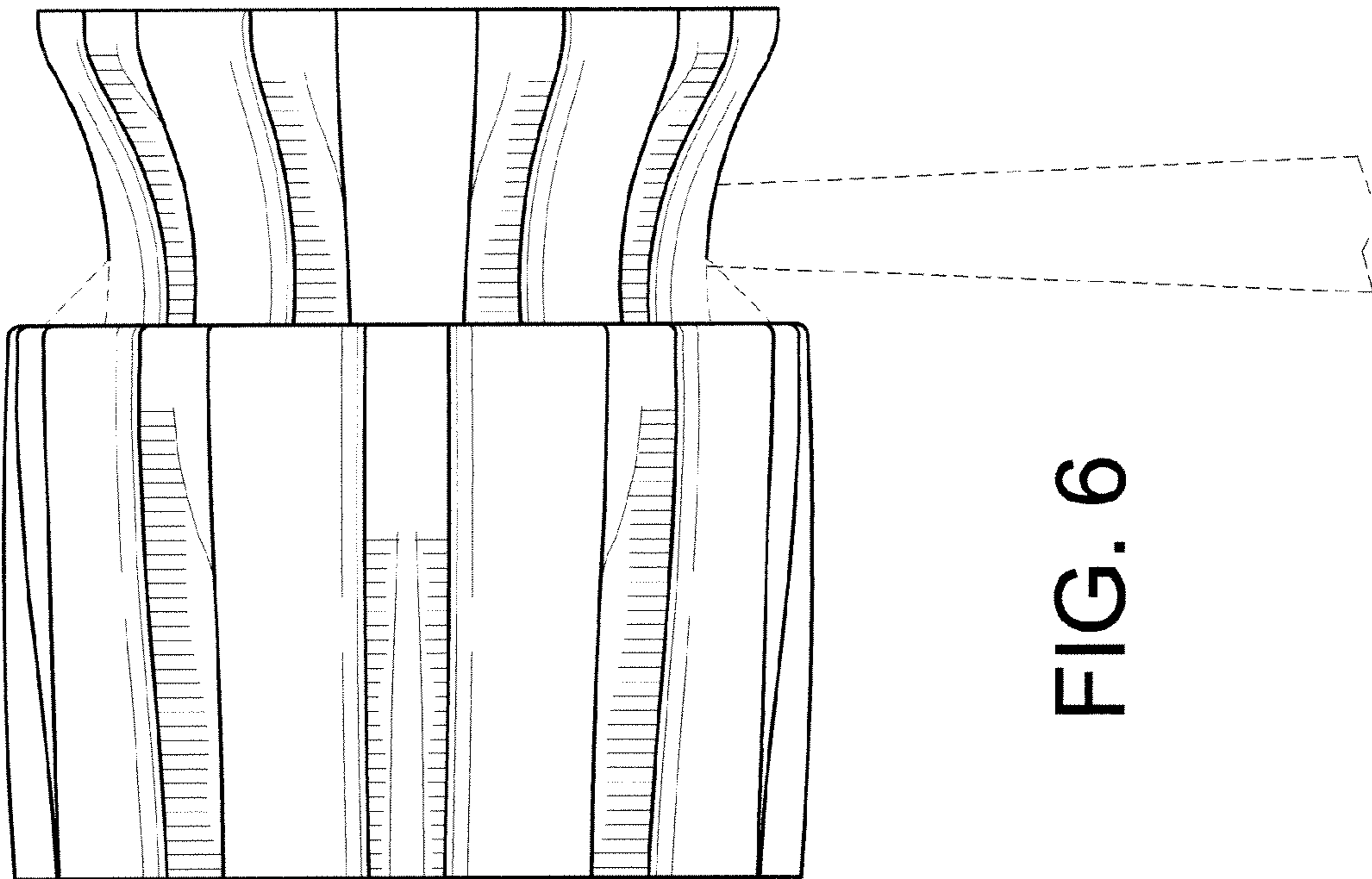


FIG. 5

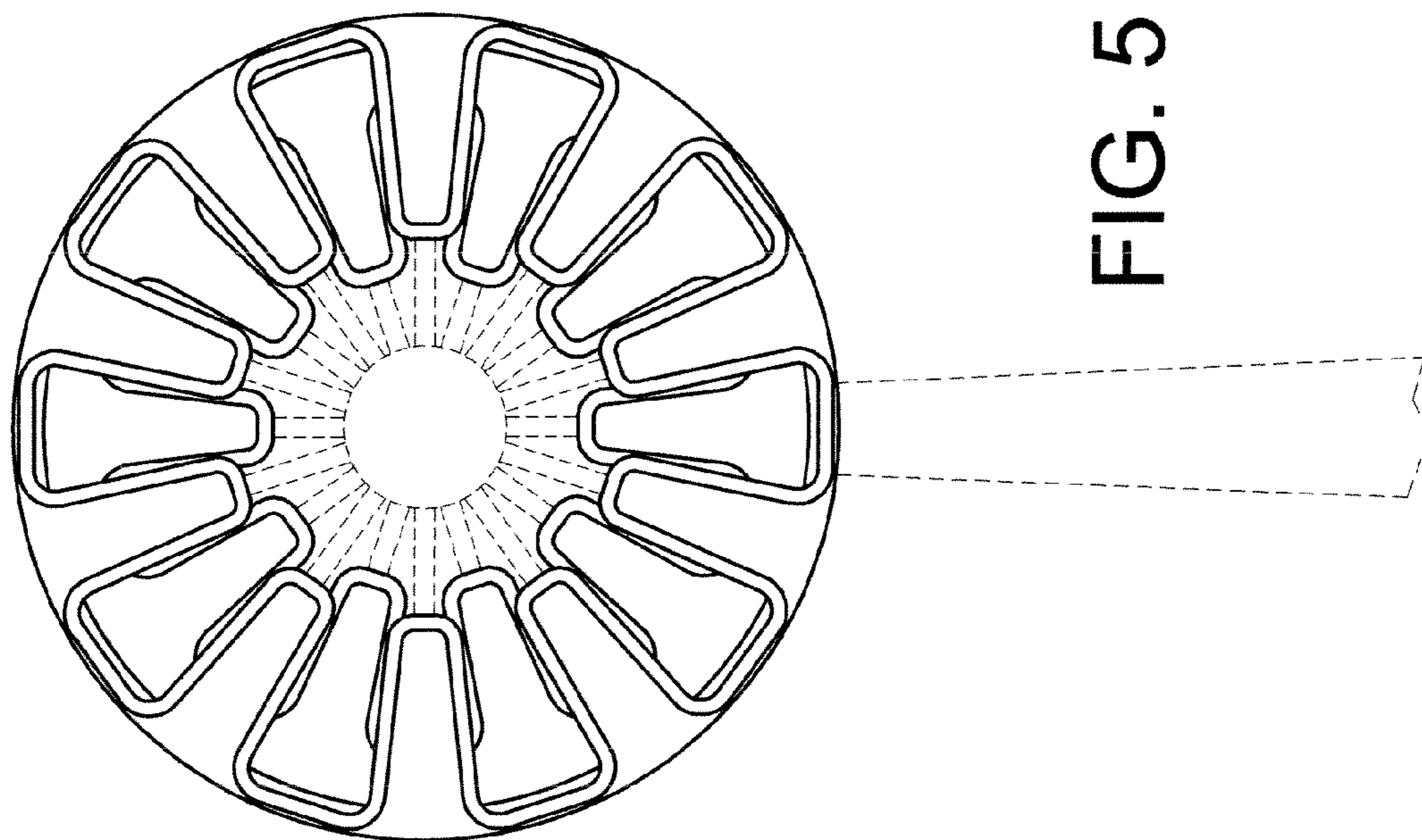


FIG. 6

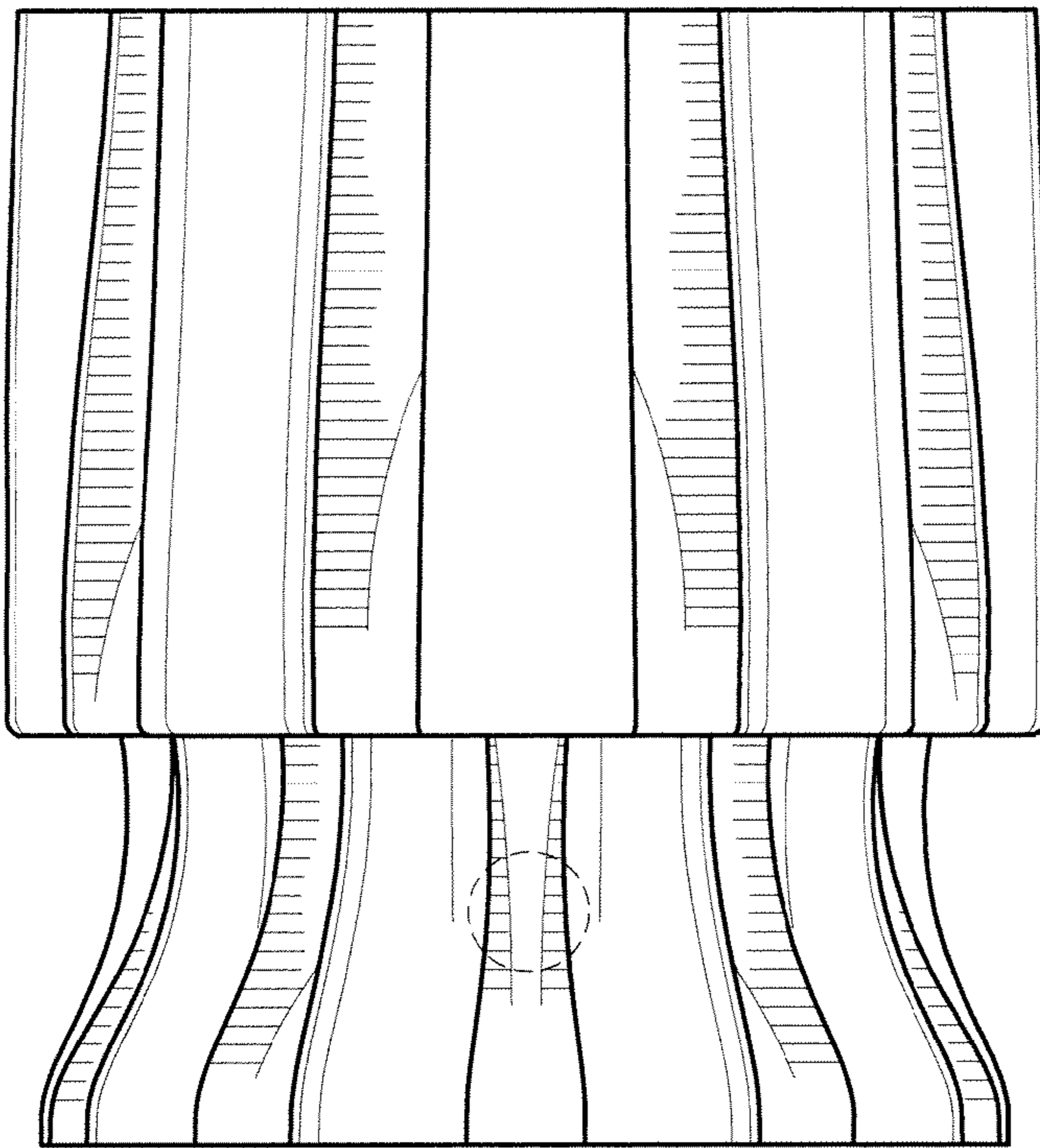


FIG. 7

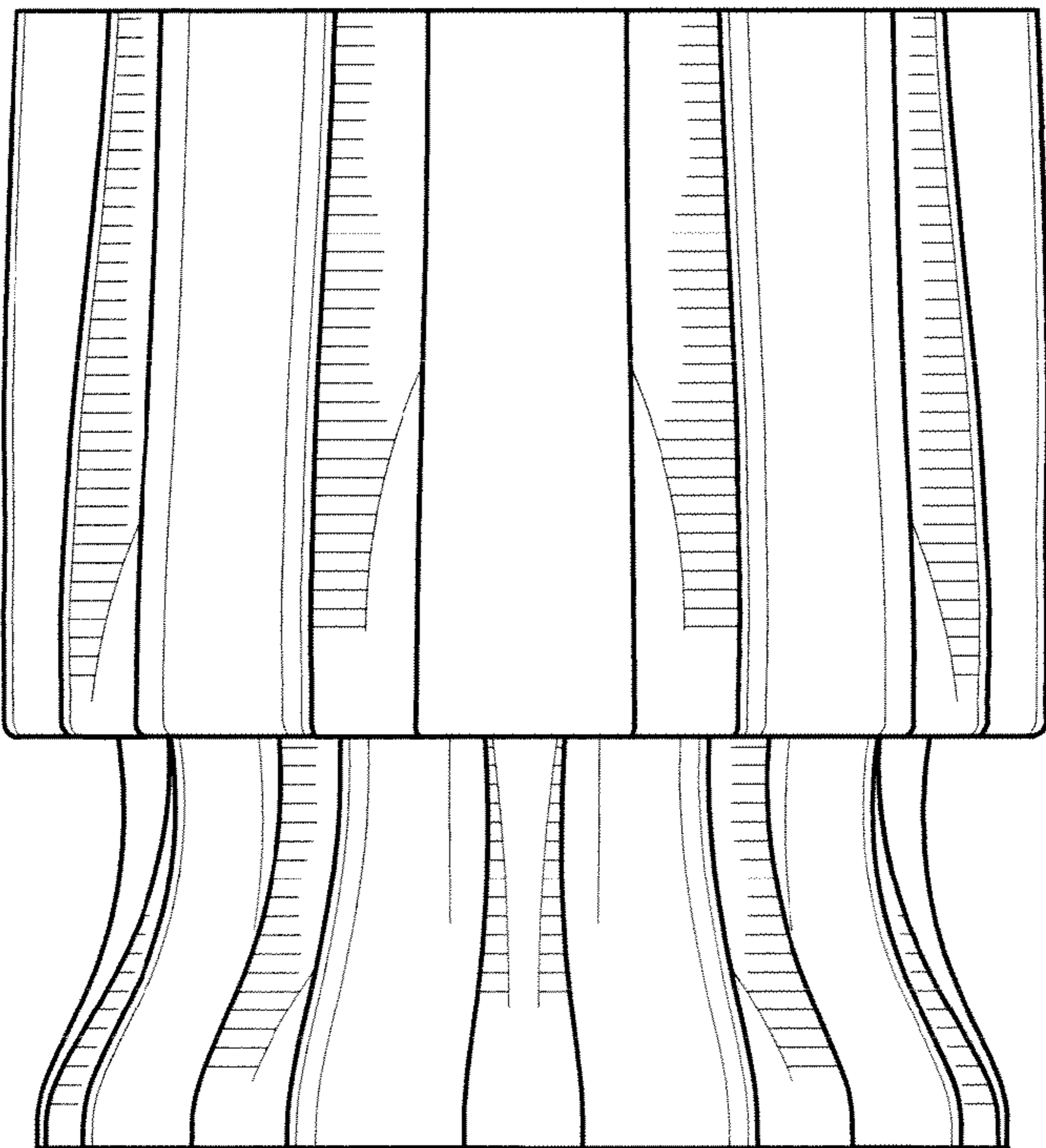


FIG. 8