



US00D608281S

(12) **United States Design Patent**  
**Presz, Jr. et al.**

(10) **Patent No.:** **US D608,281 S**  
(45) **Date of Patent:** **\*\* Jan. 19, 2010**

(54) **WIND TURBINE**

D487,060 S \* 2/2004 Ehrenberger ..... D13/115  
D517,986 S \* 3/2006 Wobben ..... D13/115  
D543,495 S \* 5/2007 Williams et al. .... D12/345

(75) Inventors: **Walter M. Presz, Jr.**, Wilbraham, MA  
(US); **Michael J. Werle**, West Hartford,  
CT (US)

\* cited by examiner

(73) Assignee: **FloDesign Wind Turbine Corporation**,  
Wilbraham, MA (US)

*Primary Examiner*—Prabhakar Deshmukh

*Assistant Examiner*—Derrick Holland

(74) *Attorney, Agent, or Firm*—Fay Sharpe LLP

(\*\*) Term: **14 Years**

(57) **CLAIM**

(21) Appl. No.: **29/328,991**

The ornamental design for a wind turbine, as shown and described.

(22) Filed: **Dec. 5, 2008**

(51) **LOC (9) Cl.** ..... **13-01**

(52) **U.S. Cl.** ..... **D13/115**

(58) **Field of Classification Search** ..... D13/115,  
D13/118, 122, 199; D12/344, 345; D15/1,  
D15/199; D21/458; 290/52, 54, 55; 415/916;  
416/24, 31, 37, 38, 132 B, 132 R, 141, 142,  
416/176, 177, 196 A

See application file for complete search history.

**DESCRIPTION**

FIG. 1 is a front right perspective view of a wind turbine showing our new design;

FIG. 2 is a rear right perspective view thereof;

FIG. 3 is a front elevation view thereof;

FIG. 4 is a side elevation view thereof;

FIG. 5 is a rear elevation view thereof;

FIG. 6 is a side elevation view thereof, the opposite of that in FIG. 4;

FIG. 7 is a top plan view thereof; and,

FIG. 8 is a bottom plan view thereof.

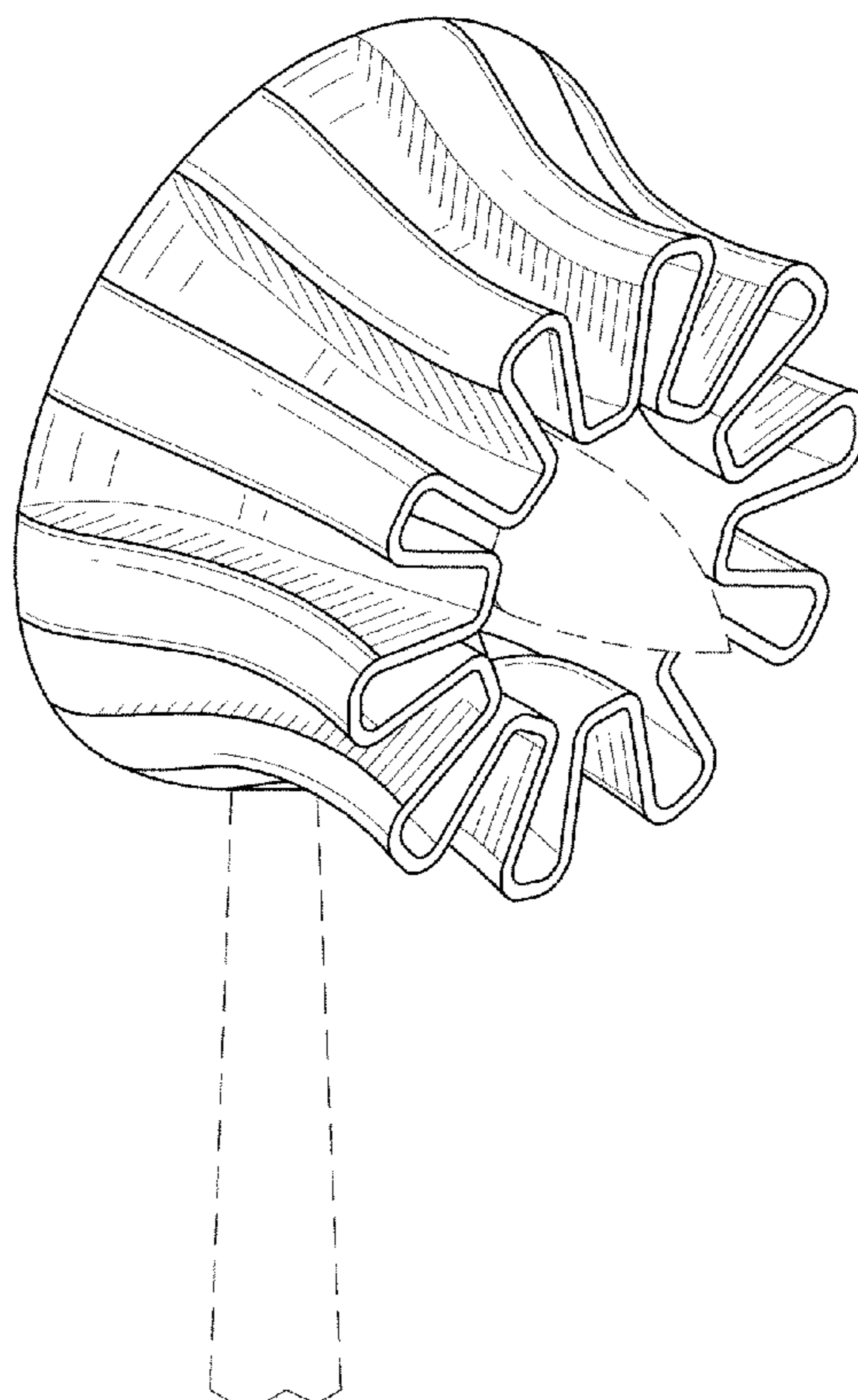
The portions shown in broken lines are for illustrative purposes only, and form no part of the claimed design.

(56) **References Cited**

U.S. PATENT DOCUMENTS

D252,877 S \* 9/1979 Hanson ..... D15/1  
4,297,076 A \* 10/1981 Donham et al. .... 416/37  
D267,951 S \* 2/1983 Smith ..... D15/1  
4,398,096 A \* 8/1983 Faurholtz ..... 290/55  
D305,419 S \* 1/1990 Korneski ..... D13/115  
6,168,373 B1 \* 1/2001 Vauthier ..... 415/7

**1 Claim, 4 Drawing Sheets**



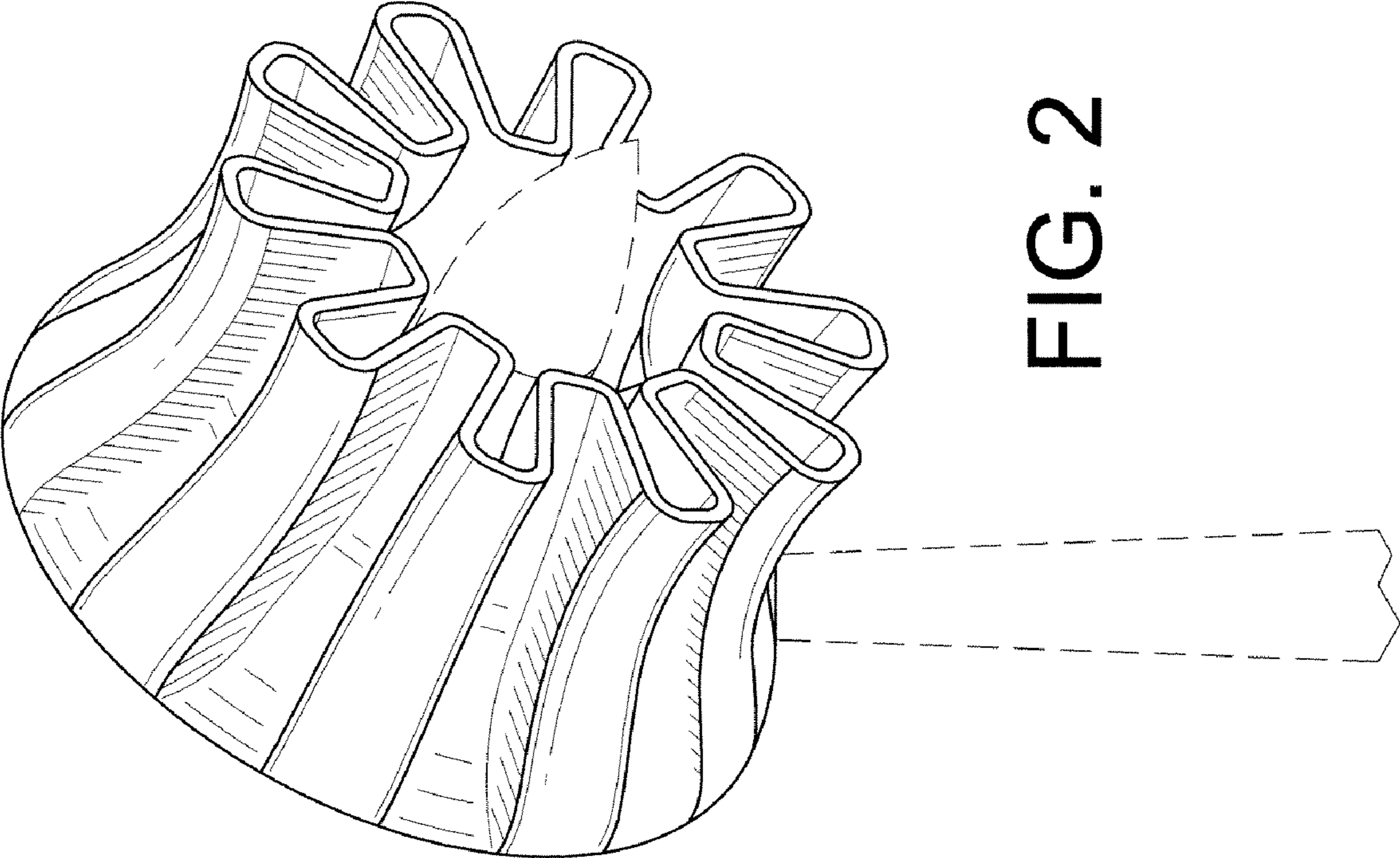


FIG. 2

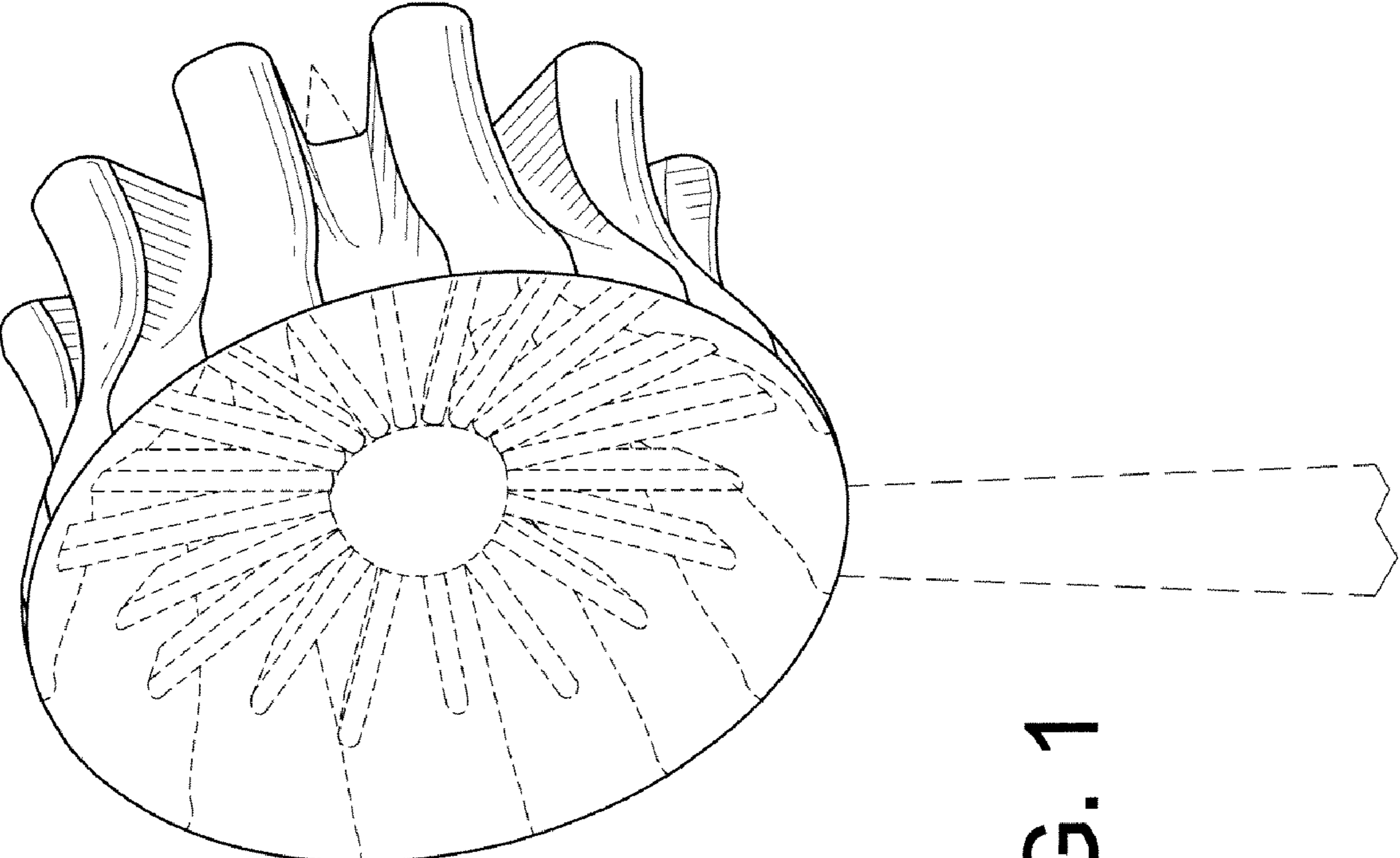


FIG. 1

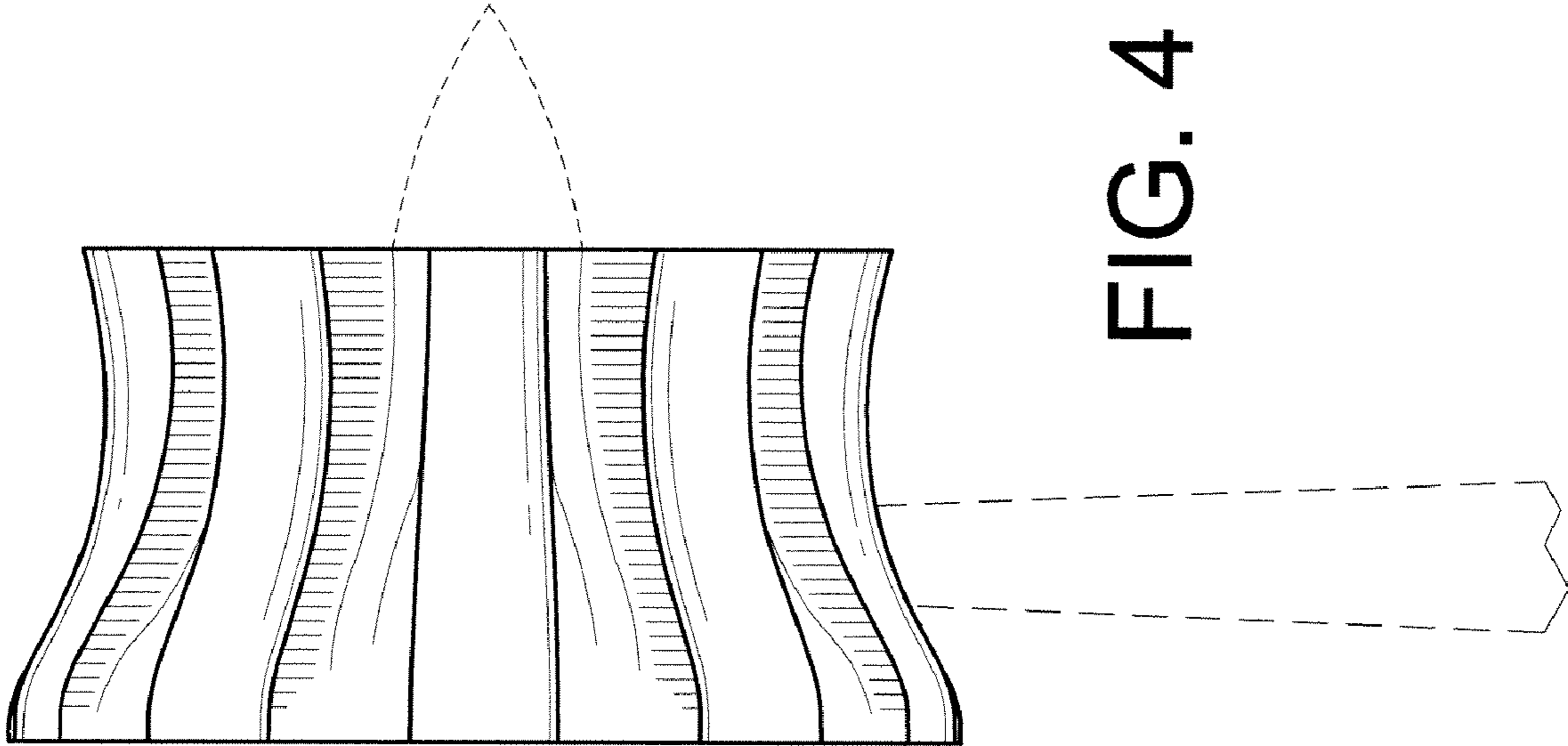


FIG. 4

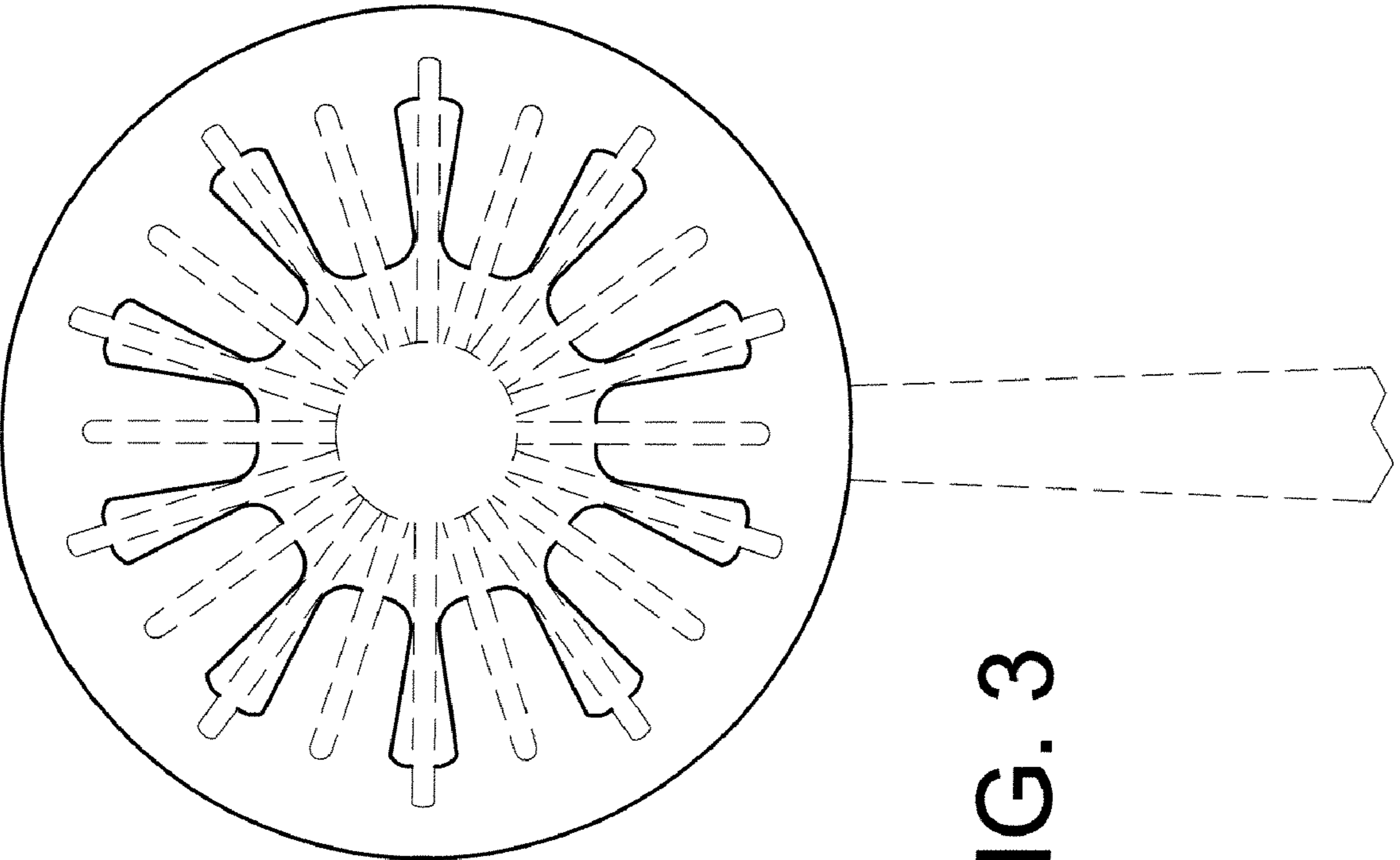


FIG. 3

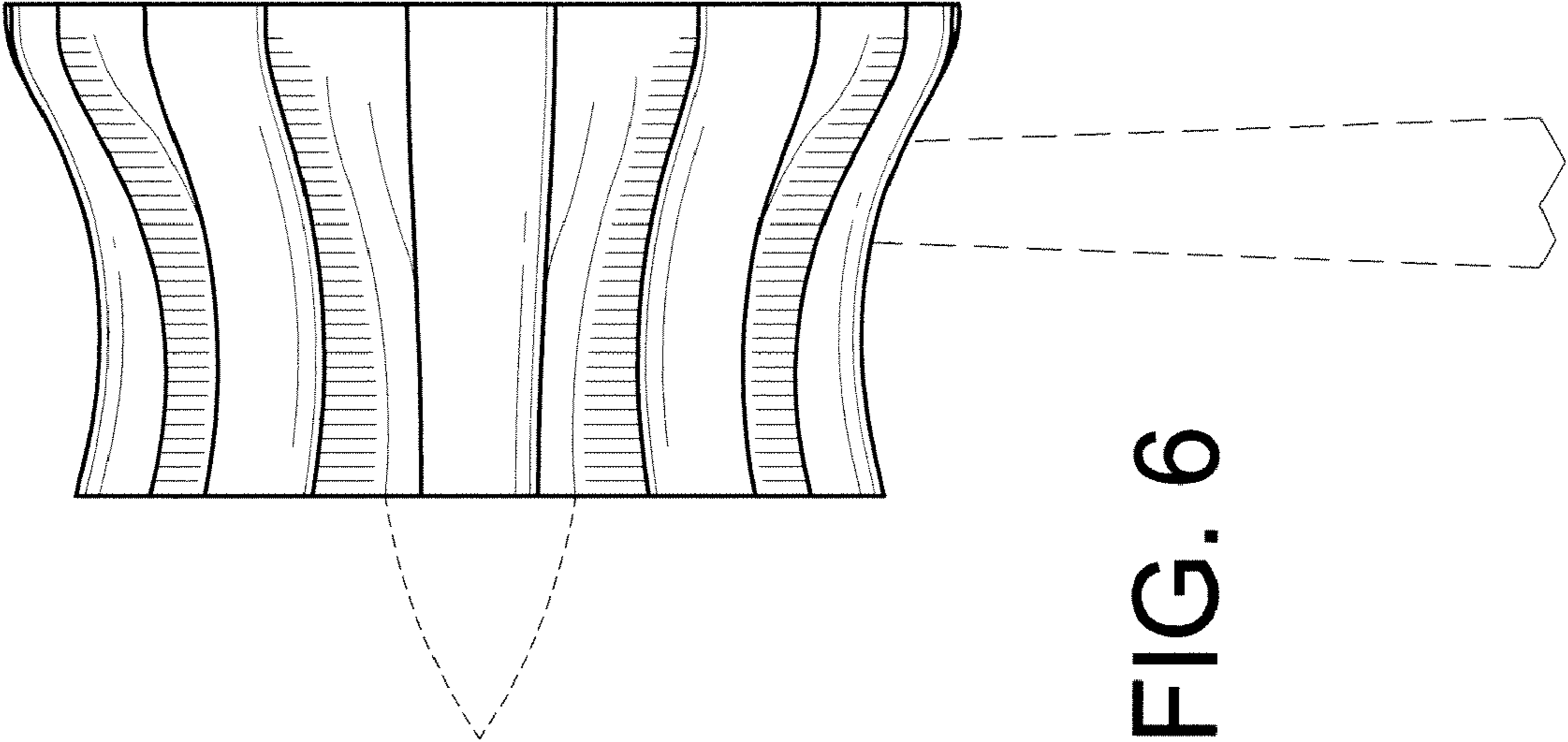


FIG. 6

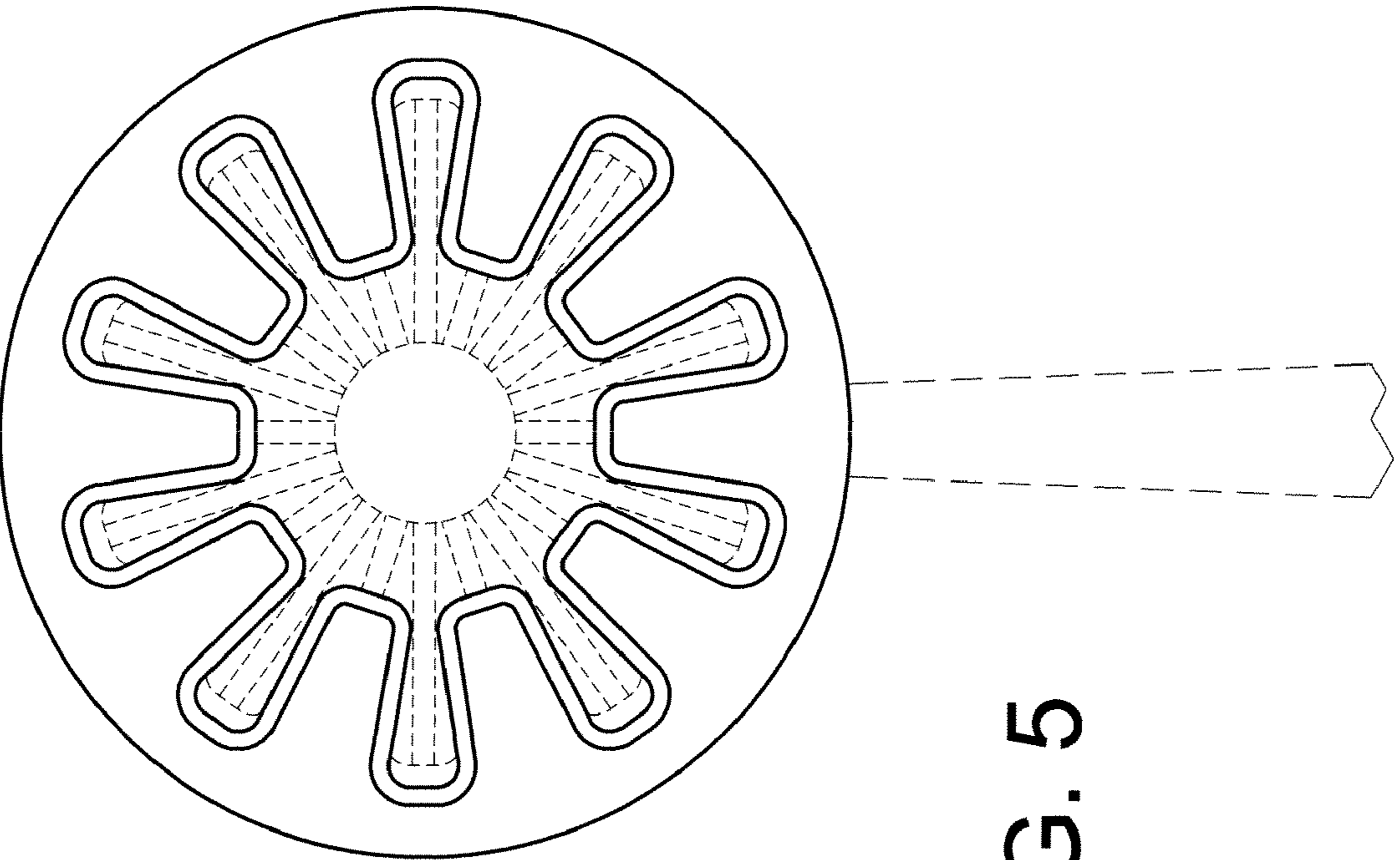


FIG. 5

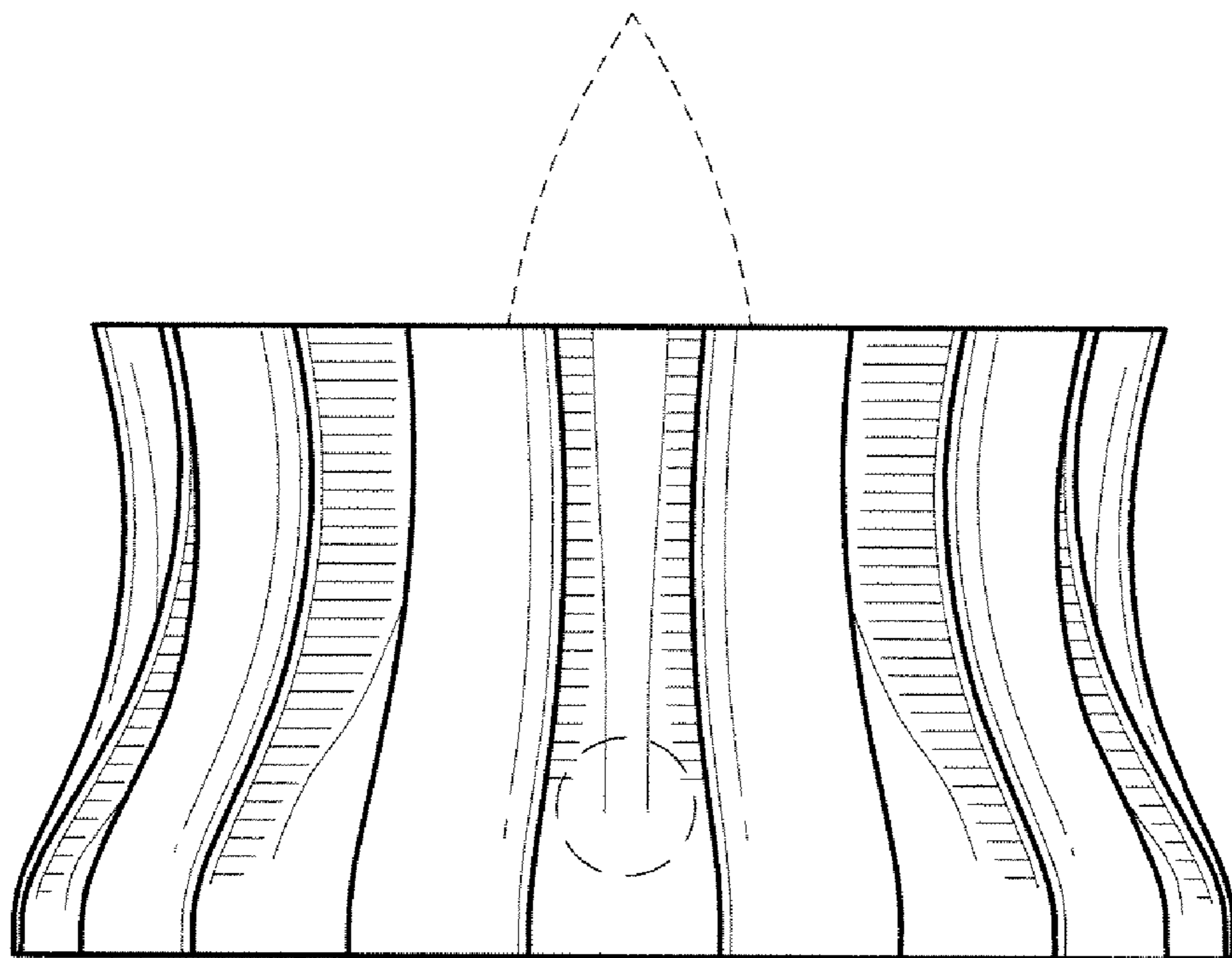


FIG. 8

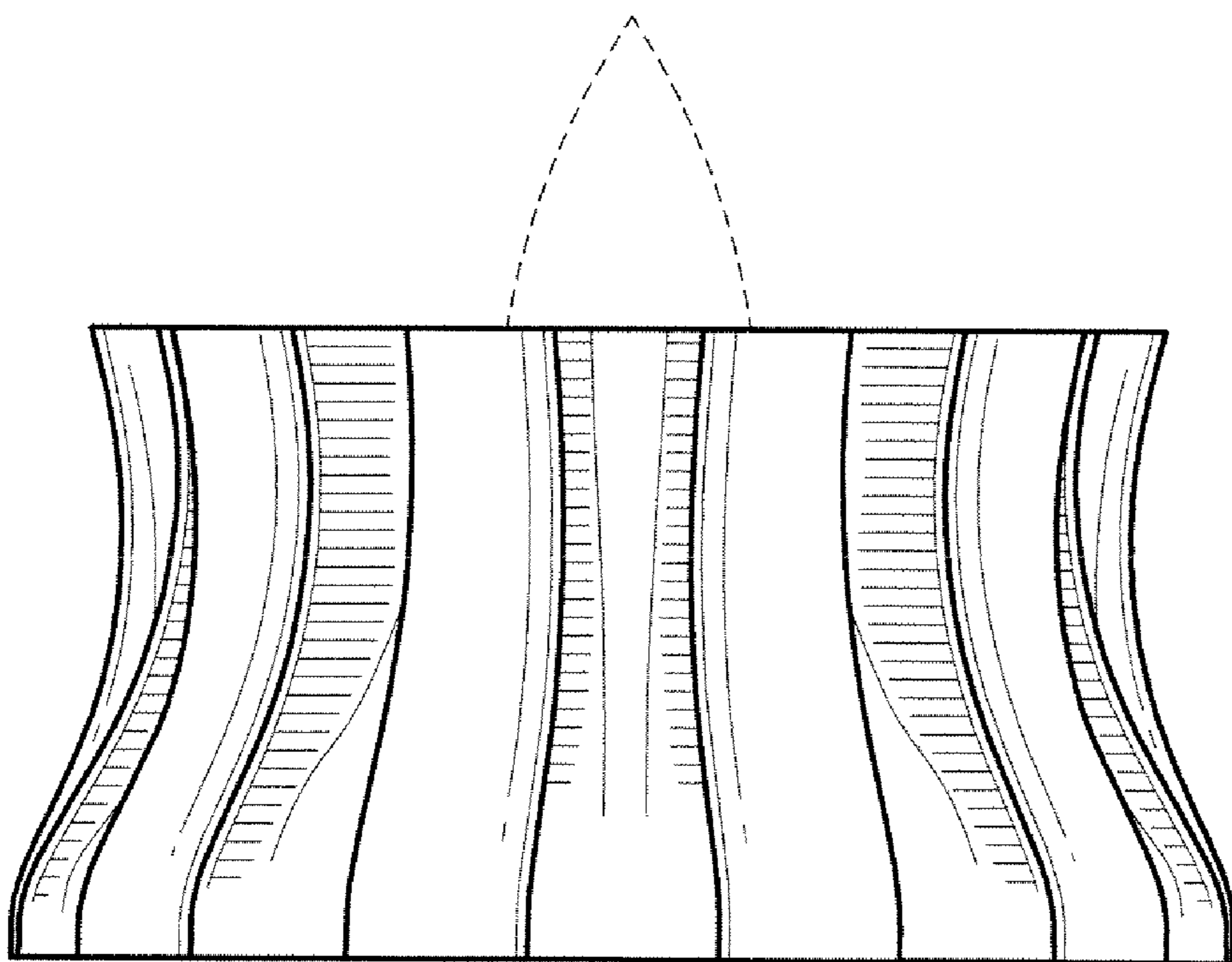


FIG. 7