



US00D608278S

(12) **United States Design Patent**
Aaron et al.

(10) **Patent No.:** **US D608,278 S**
(45) **Date of Patent:** **** Jan. 19, 2010**

(54) **BALLAST GATE**

(75) Inventors: **Charles Wayne Aaron**, Salado, TX
(US); **Christopher M. Villar**,
Georgetown, TX (US)

(73) Assignee: **Georgetown Rail Equipment
Company**, Georgetown, TX (US)

(**) Term: **14 Years**

(21) Appl. No.: **29/336,225**

(22) Filed: **Apr. 29, 2009**

(51) **LOC (9) Cl.** **13-02**

(52) **U.S. Cl.** **D13/110**

(58) **Field of Classification Search** D13/110,
D13/101, 112, 118, 174, 184, 199; D12/36,
D12/42, 46; D15/199; 105/239, 240, 243,
105/247, 250, 286, 287; 174/50; 361/600,
361/606, 674

See application file for complete search history.

(56) **References Cited**

U.S. PATENT DOCUMENTS

D140,204 S *	1/1945	Lear	D13/112
4,454,822 A *	6/1984	Fischer	105/250
4,606,276 A *	8/1986	LeMarbe	105/250
5,359,942 A *	11/1994	Ward	105/240
D353,132 S *	12/1994	Tinkham	D13/174
5,402,731 A *	4/1995	Miller	105/286

5,606,916 A *	3/1997	Murray	105/286
6,431,084 B1 *	8/2002	Gaydos	105/247
D503,677 S *	4/2005	Wardenburg	D13/110
D549,648 S *	8/2007	McNabb	D13/110

* cited by examiner

Primary Examiner—Prabhakar Deshmukh

Assistant Examiner—Derrick Holland

(74) *Attorney, Agent, or Firm*—Zarian Midgley & Johnson
PLLC

(57) **CLAIM**

The ornamental design for a ballast gate, as shown and described.

DESCRIPTION

FIG. 1 is a perspective view of the ballast gate of the present invention;

FIG. 2 is a front view of the ballast gate of FIG. 1;

FIG. 3 is a back view of the ballast gate of FIG. 1;

FIG. 4 is a right side view of the ballast gate of FIG. 1;

FIG. 5 is a left side view of the ballast gate of FIG. 1;

FIG. 6 is a top view of the ballast gate of FIG. 1; and,

FIG. 7 is a bottom view of the ballast gate of FIG. 1.

The broken lines showing represent unclaimed subject matter and form no part of the claimed design.

1 Claim, 5 Drawing Sheets

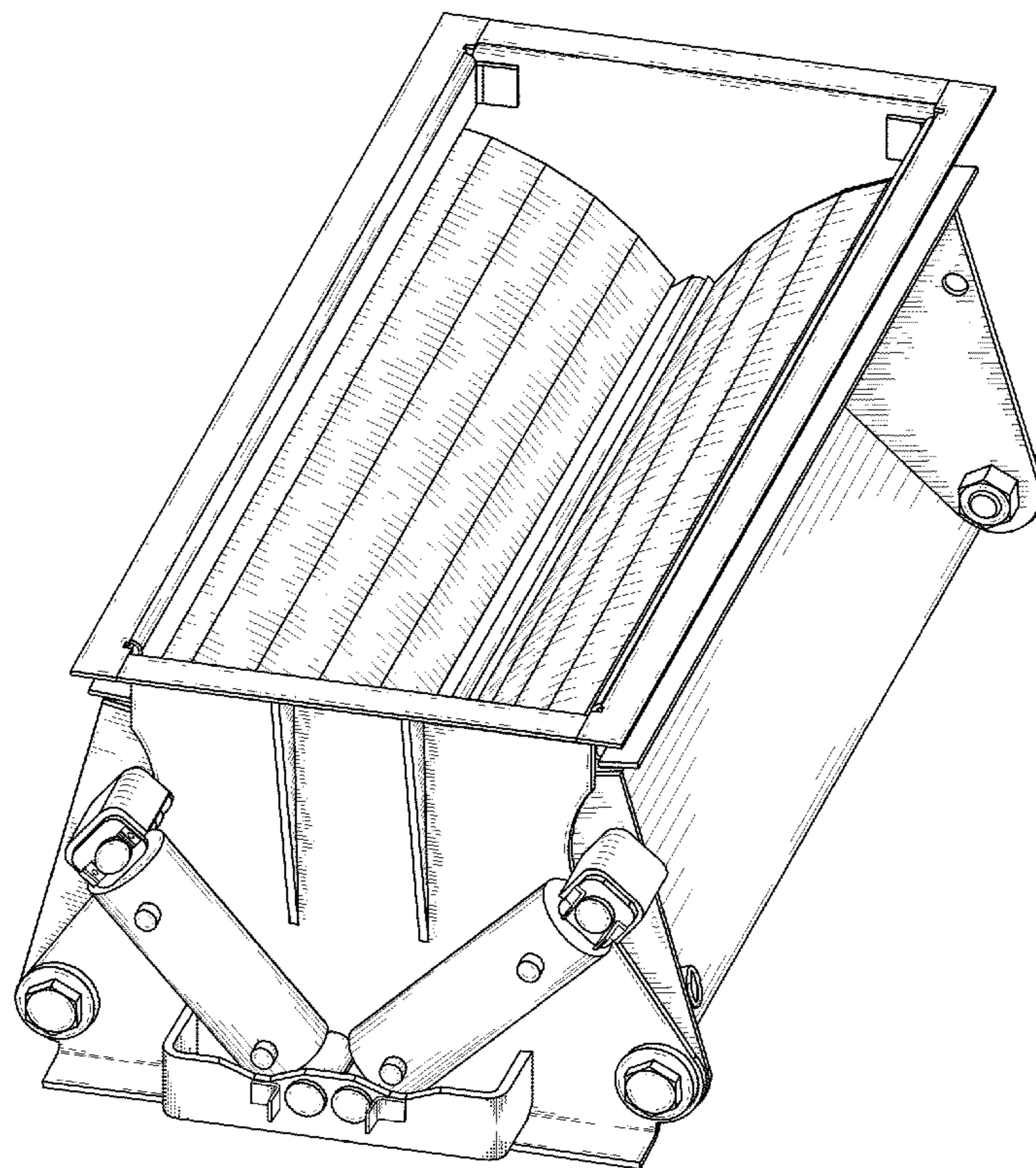
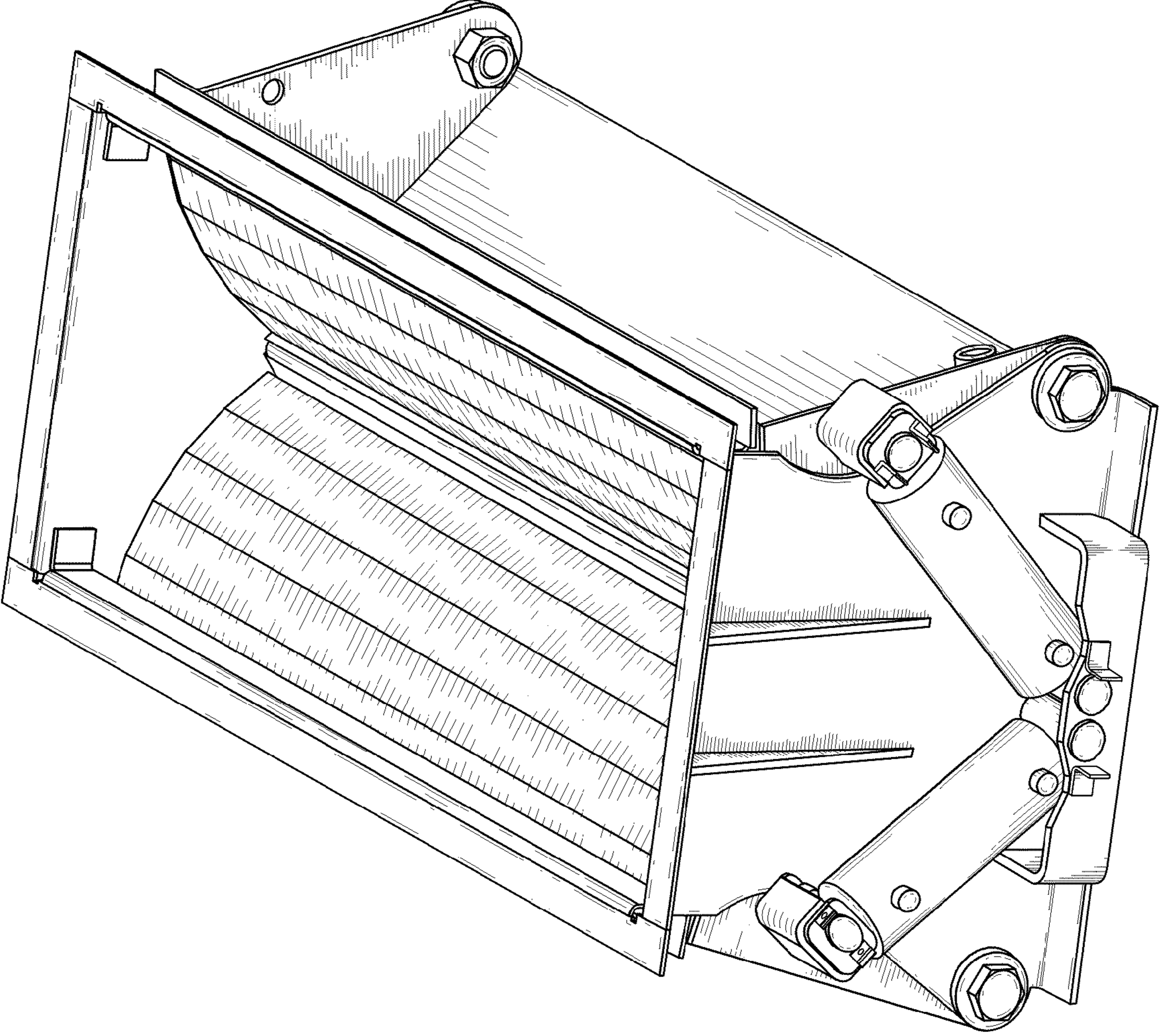


FIG. 1



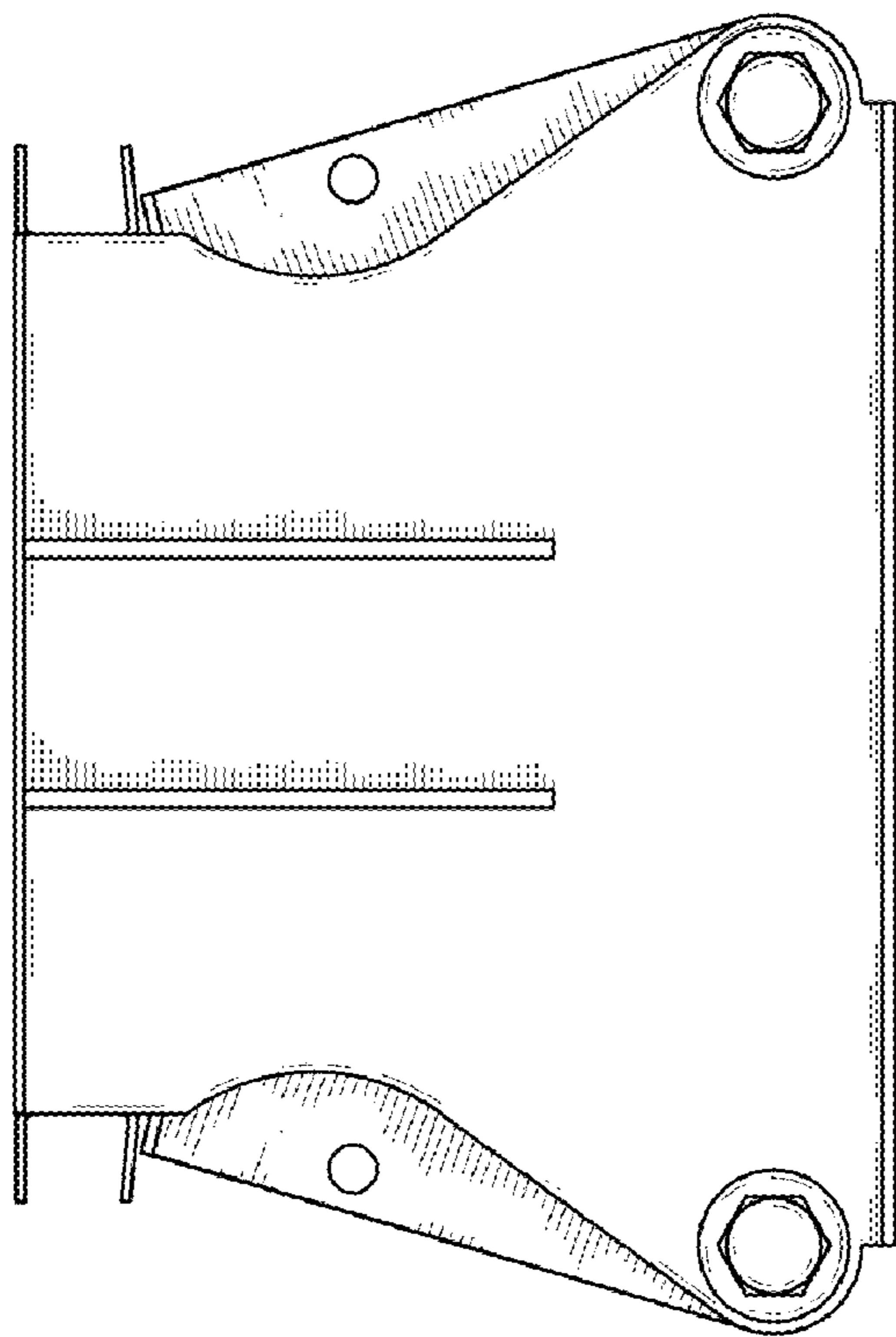


FIG. 3

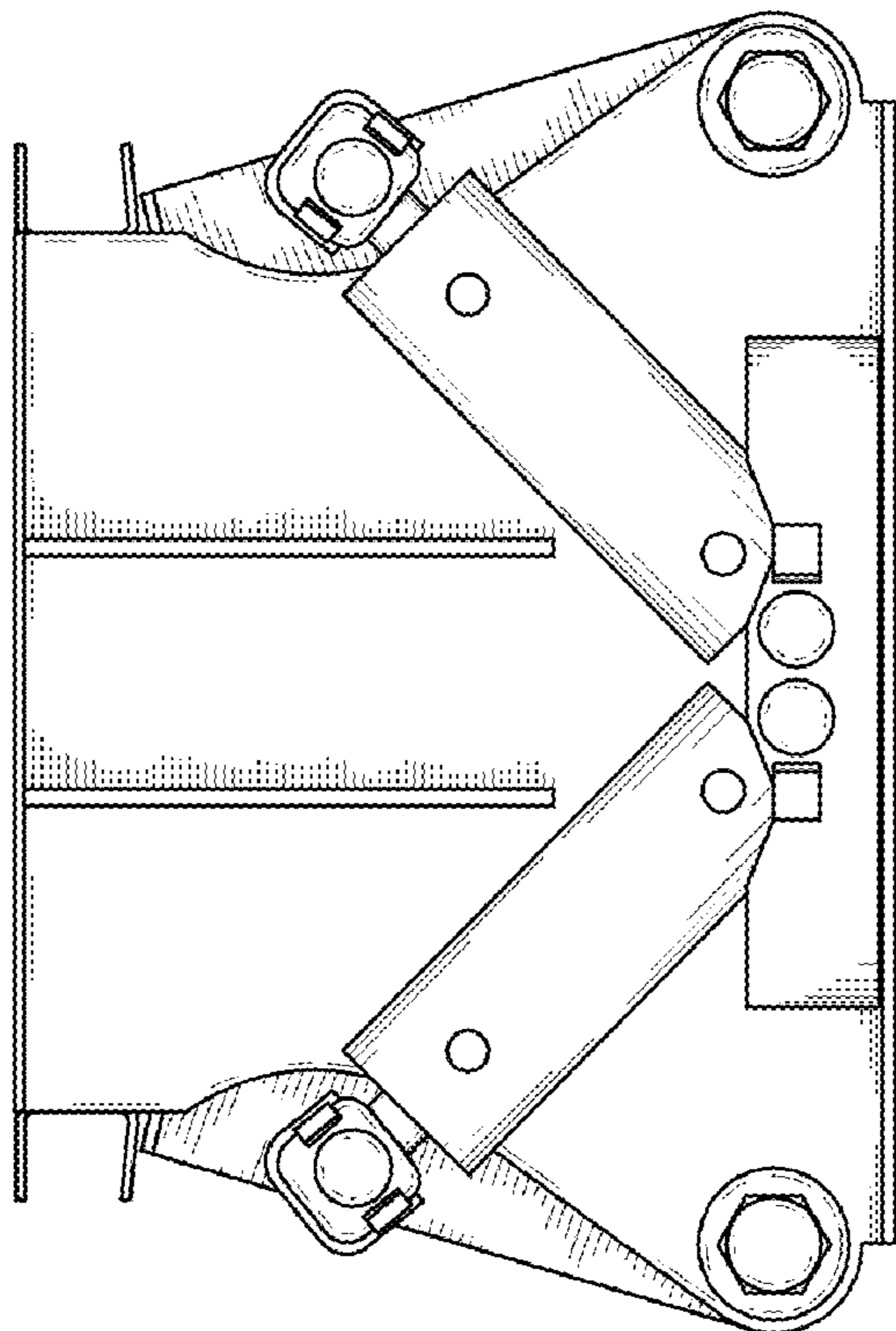


FIG. 2

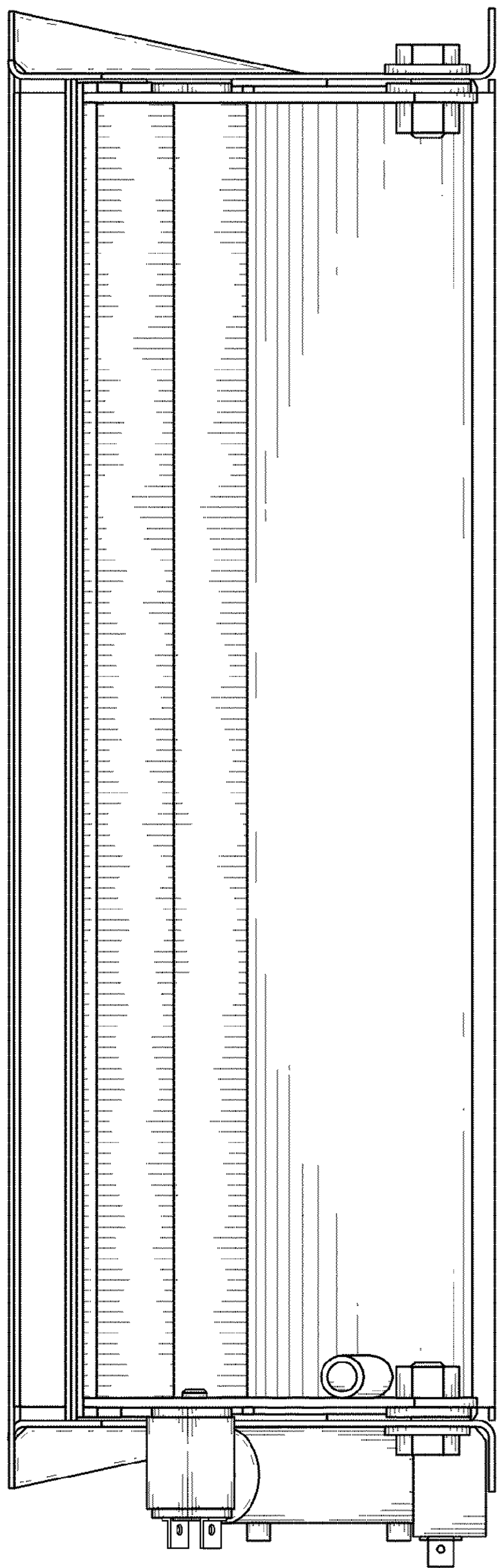


FIG. 4

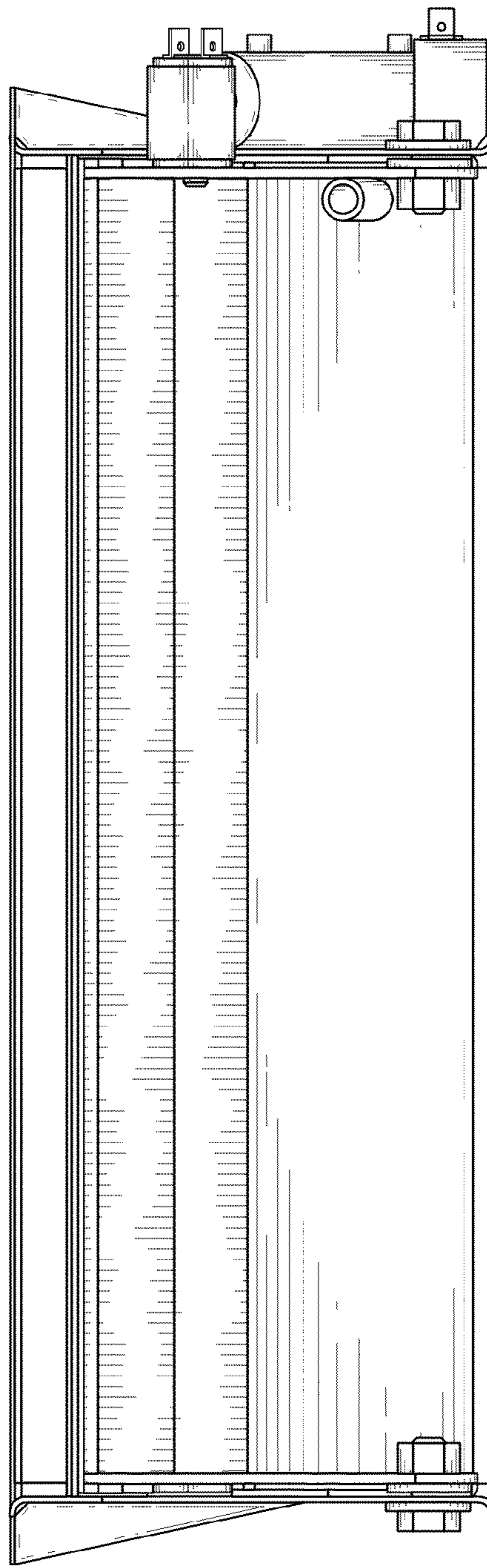


FIG. 5

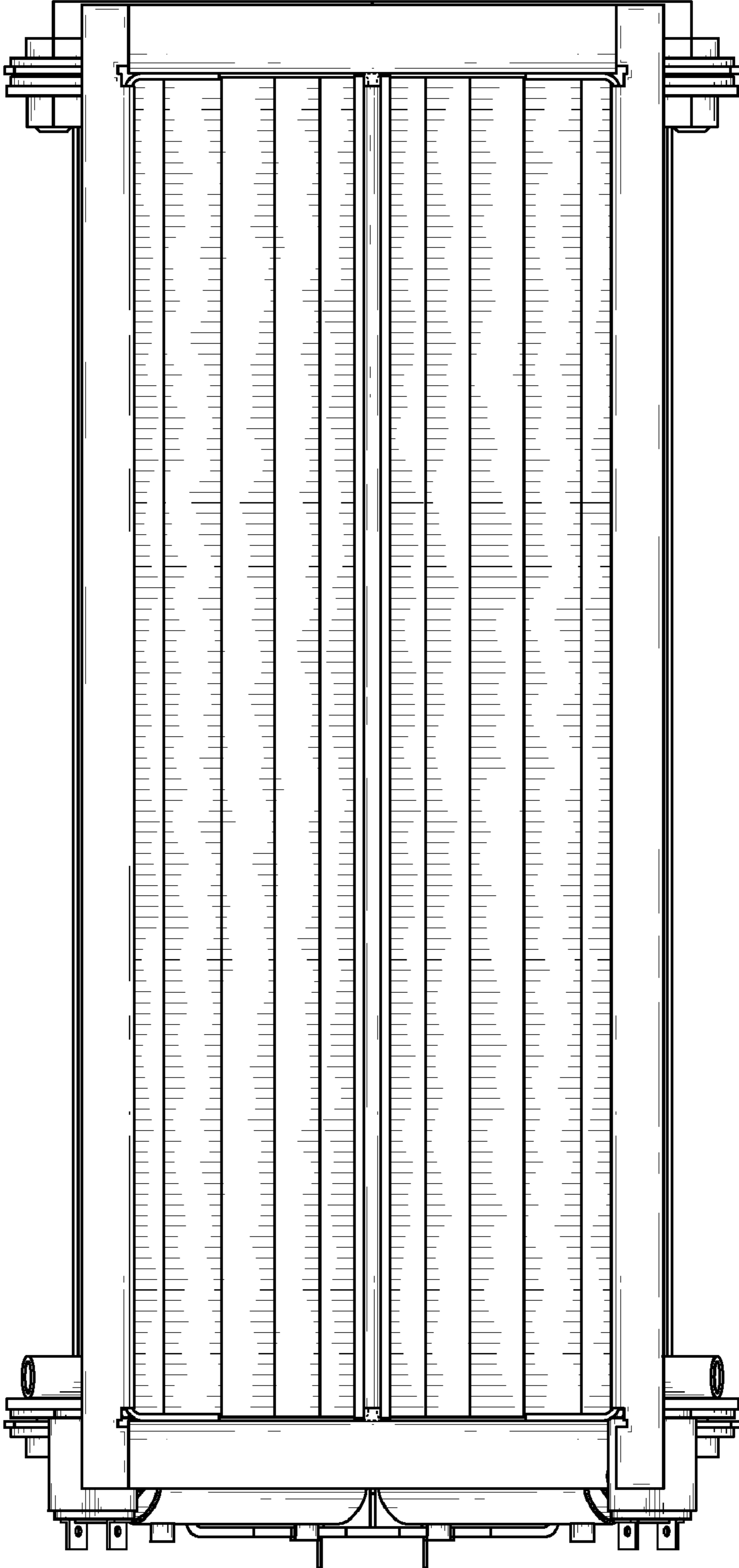


FIG. 6

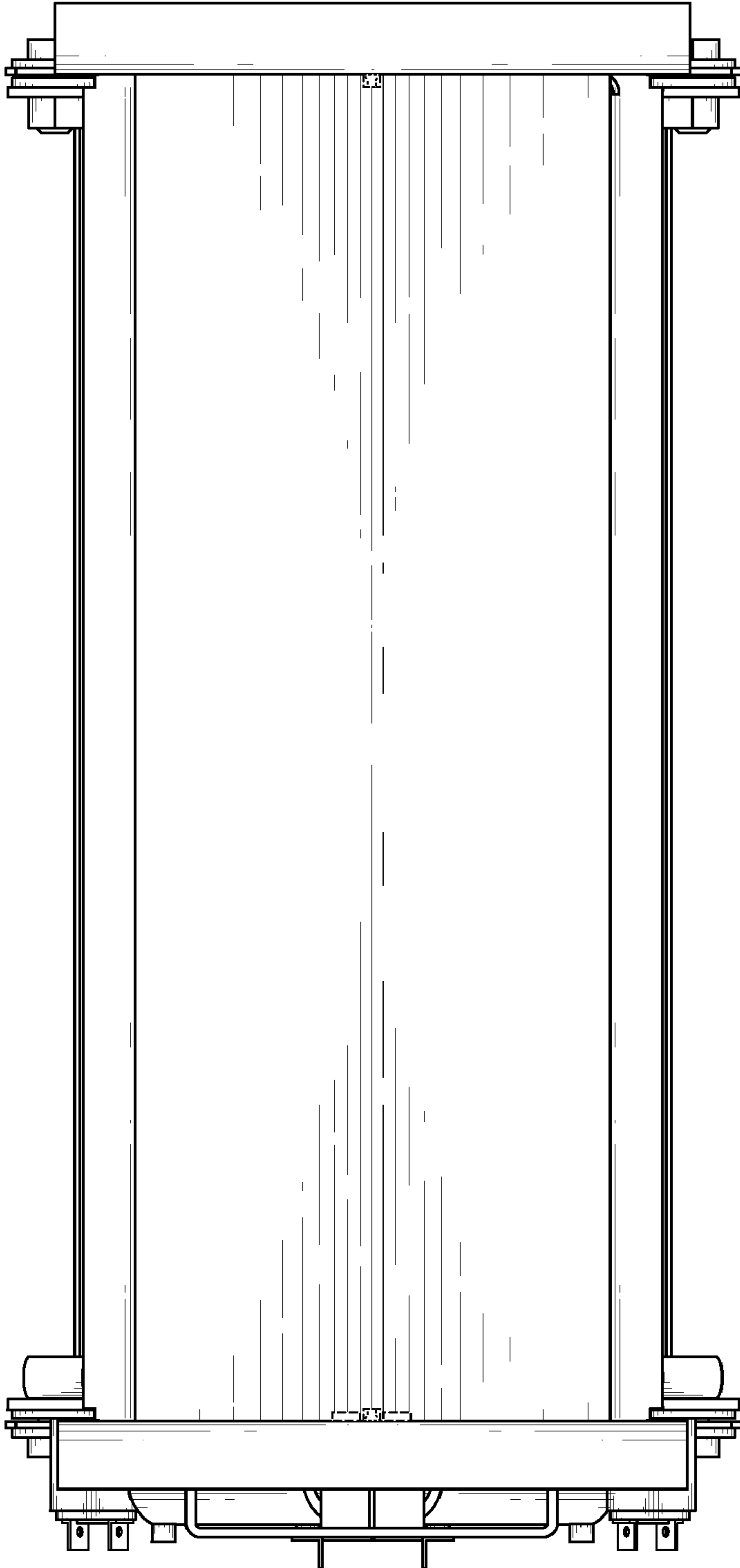


FIG. 7