



US00D608277S

(12) **United States Design Patent**
Cano et al.

(10) **Patent No.:** **US D608,277 S**
(45) **Date of Patent:** **** Jan. 19, 2010**

(54) **HEARING AID CHARGER**

D575,289 S * 8/2008 Kuo et al. D14/434
D585,898 S * 2/2009 Skurdal D14/434

(75) Inventors: **Miguel A. Cano**, Chicago, IL (US);
Klaus Rath, Gentofte (DK)

* cited by examiner

(73) Assignee: **GN ReSound A/S** (DK)

Primary Examiner—Rosemary K Tarcza

(74) *Attorney, Agent, or Firm*—Vista IP Law Group, LLP.

(**) Term: **14 Years**

(57) **CLAIM**

(21) Appl. No.: **29/328,840**

The ornamental design for a hearing aid charger, as shown and described.

(22) Filed: **Dec. 2, 2008**

Related U.S. Application Data

DESCRIPTION

(62) Division of application No. 29/292,285, filed on Oct. 4, 2007.

FIG. 1 is a rear perspective view of a hearing aid charger for the hearing aid of our new design;

(30) **Foreign Application Priority Data**

FIG. 2 is a left side perspective view of the hearing aid charger of our new design;

Apr. 4, 2007 (EM) 000700612

FIG. 3 is a right side perspective view of the hearing aid charger of our new design;

(51) **LOC (9) Cl.** **13-02**

FIG. 4 is a front perspective view of the hearing aid charger of our new design;

(52) **U.S. Cl.** **D13/108**

(58) **Field of Classification Search** D13/102,
D13/107–110, 118–119, 184; D14/251,
D14/253, 432, 434; 320/107–115
See application file for complete search history.

FIG. 5 is a rear perspective view of the hearing aid charger of our new design;

(56) **References Cited**

FIG. 6 is a top plan view of the hearing aid charger of our new design; and,

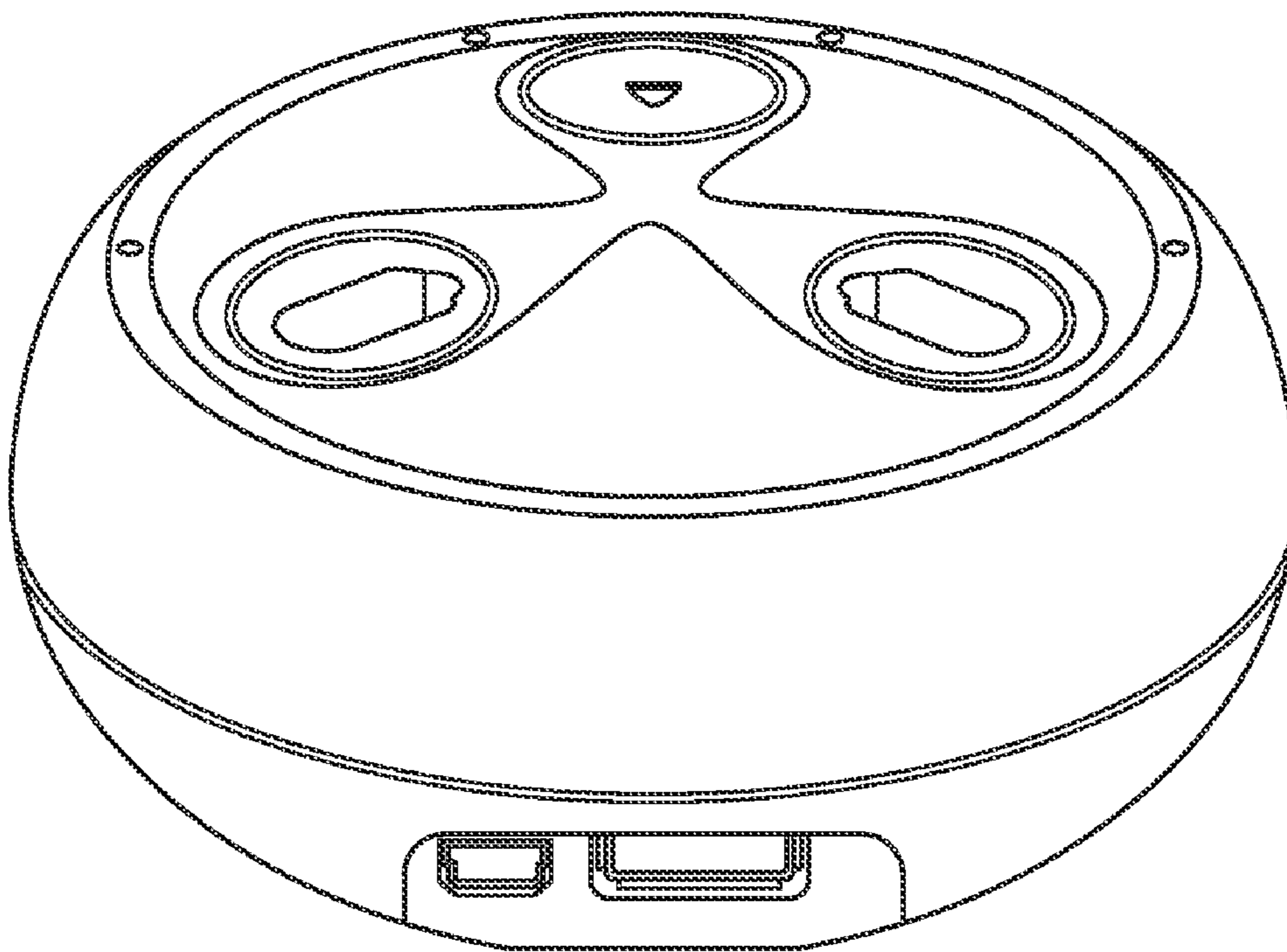
U.S. PATENT DOCUMENTS

FIG. 7 is a bottom plan view of the hearing aid charger of our new design.

D300,678 S * 4/1989 Barrault D32/73
D521,927 S * 5/2006 Franck et al. D13/108
D558,207 S * 12/2007 Ikeda et al. D14/434
D558,208 S * 12/2007 Ikeda et al. D14/434
D558,209 S * 12/2007 Ikeda et al. D14/434

The broken lines showing portions of the hearing aid charger are included for the purpose of illustrating environmental structure and form no part of the claimed design.

1 Claim, 4 Drawing Sheets



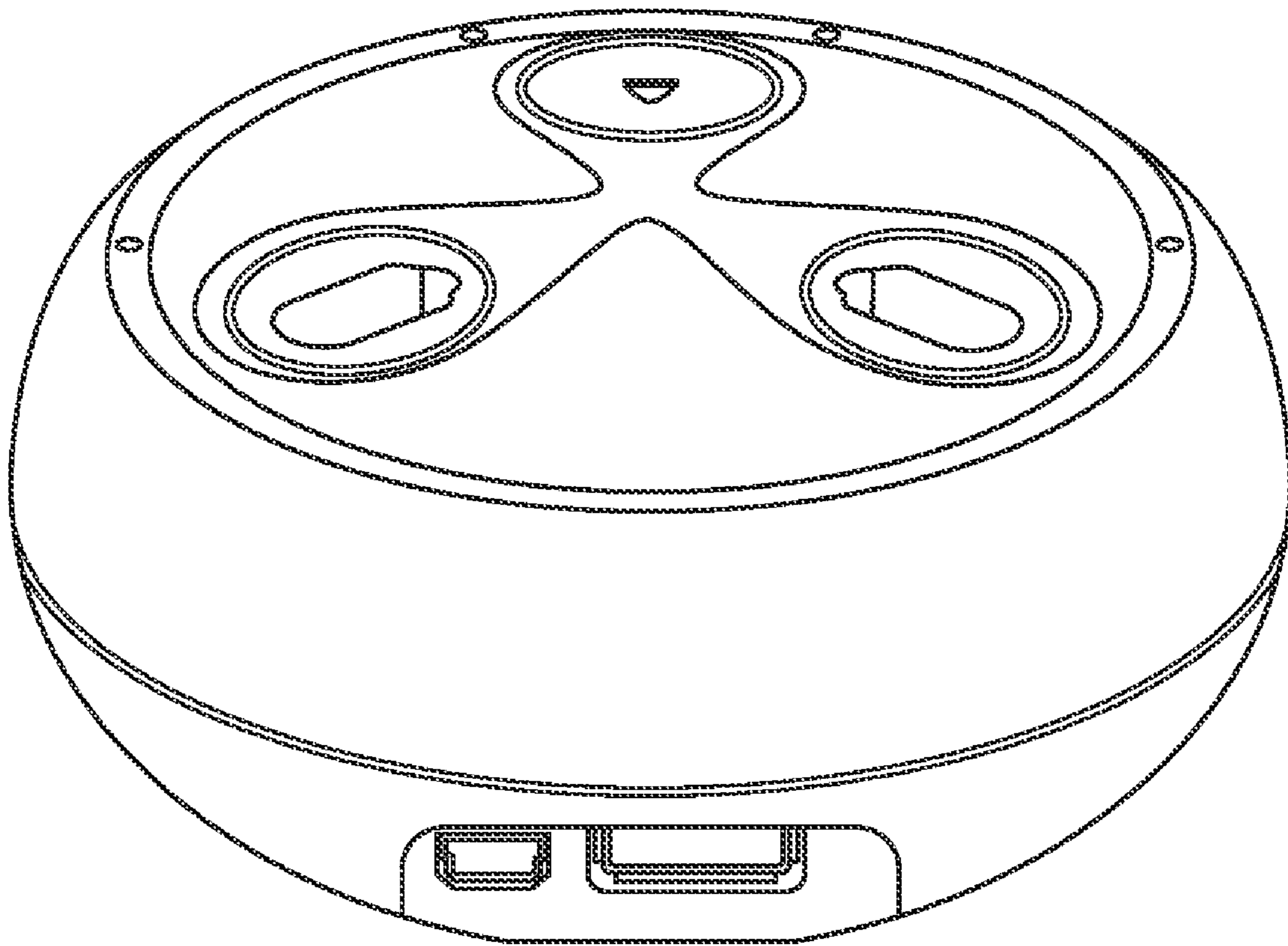


FIG. 1

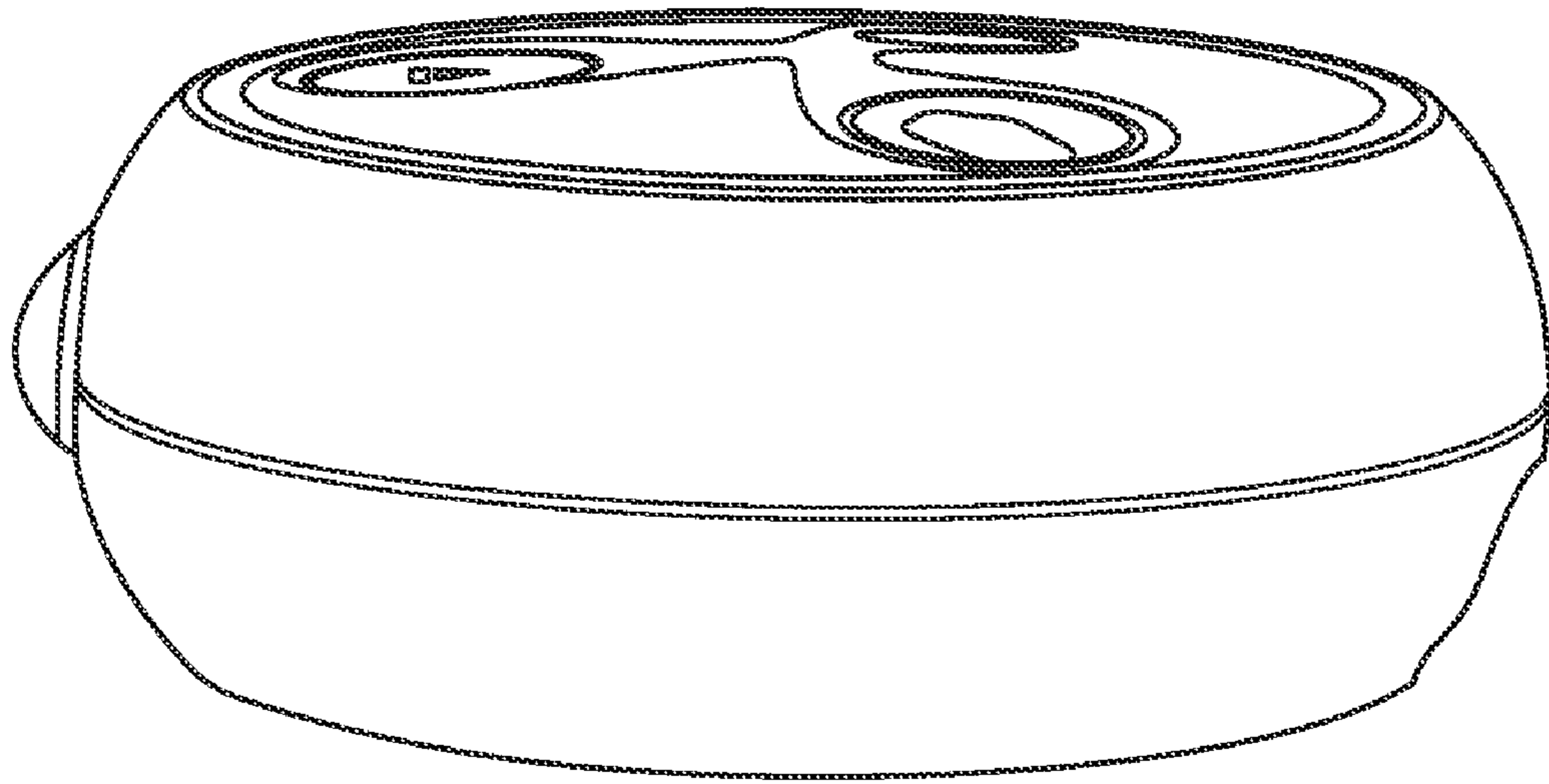


FIG. 2

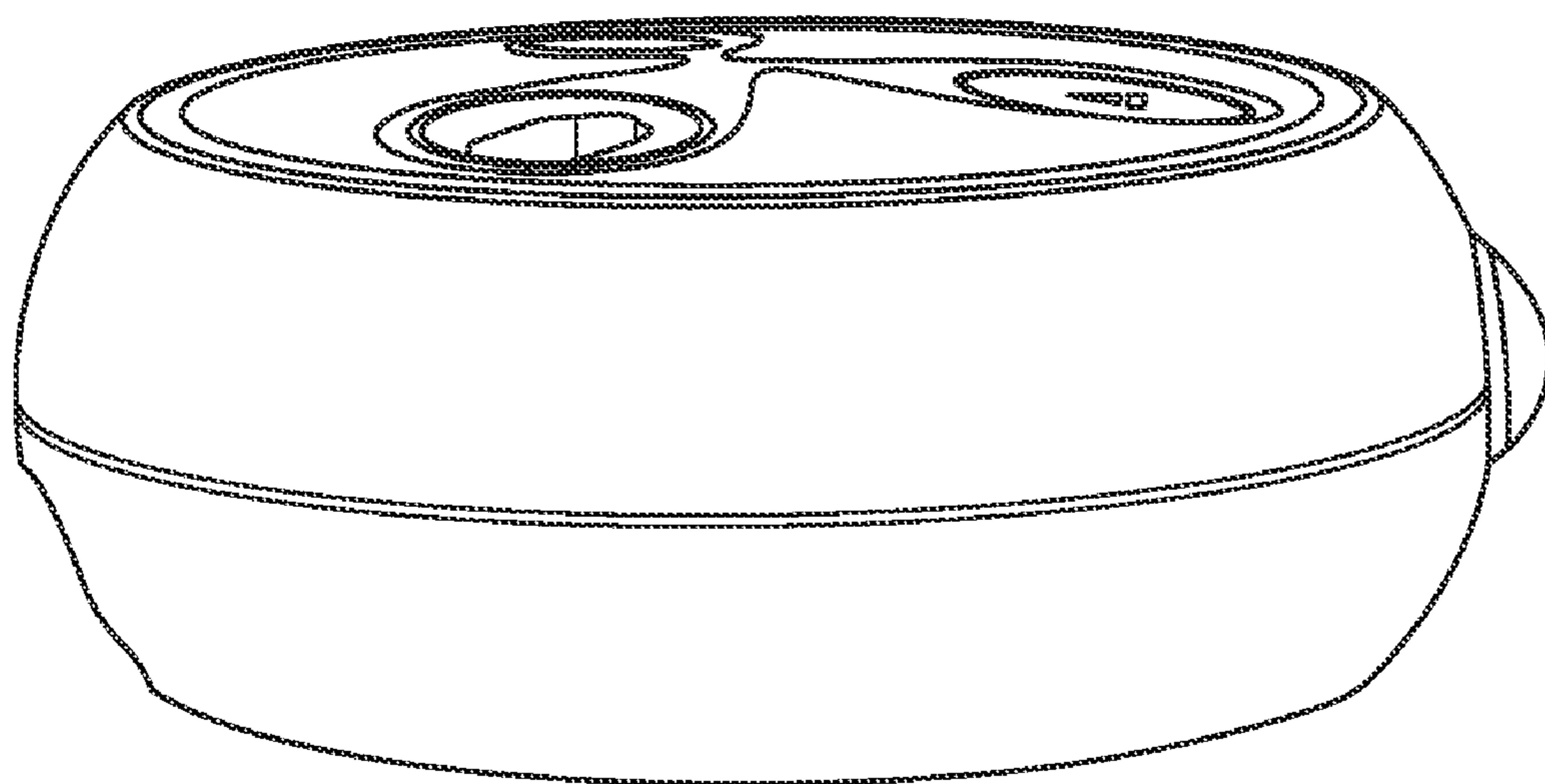


FIG. 3

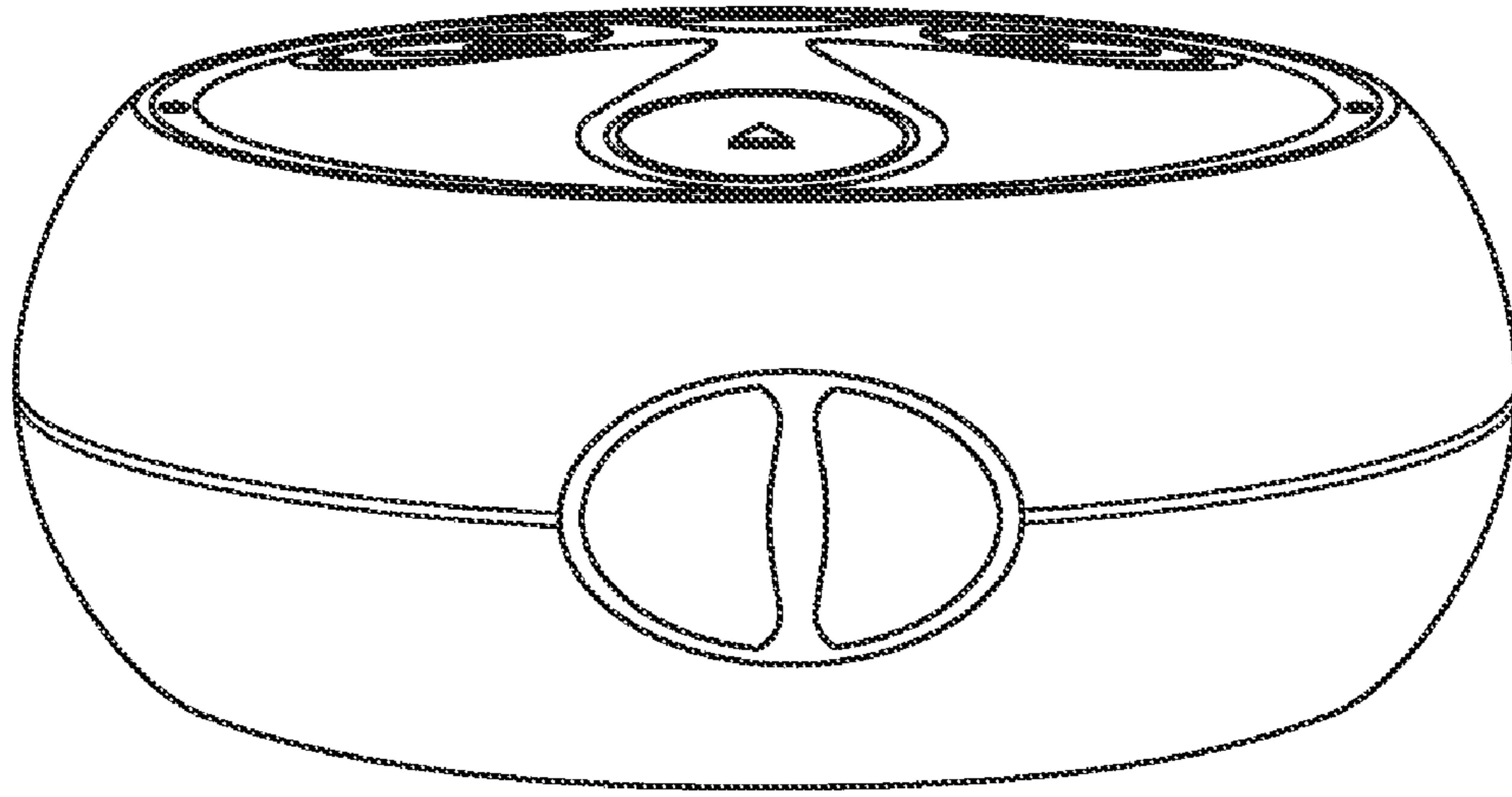


FIG. 4

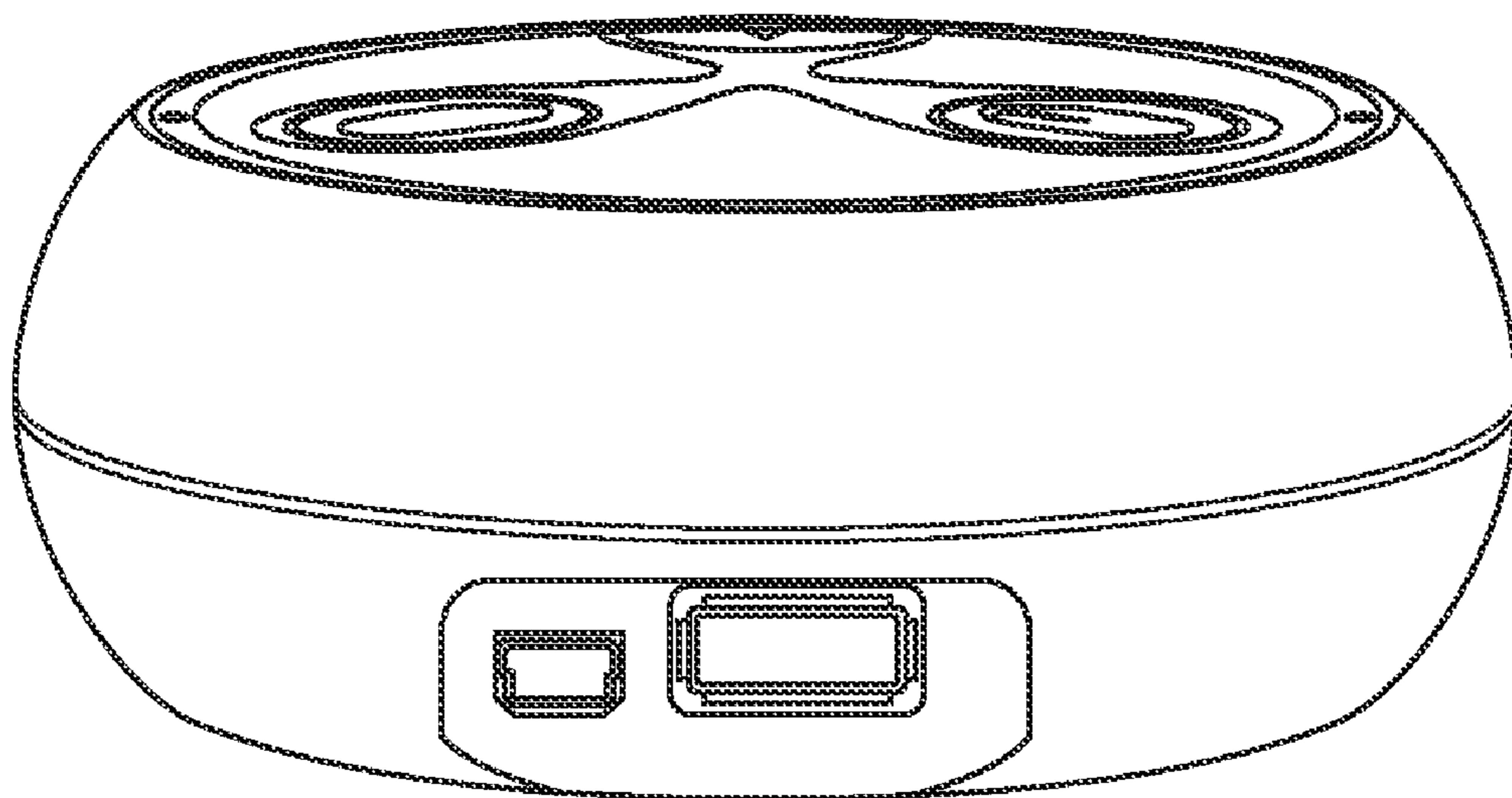


FIG. 5

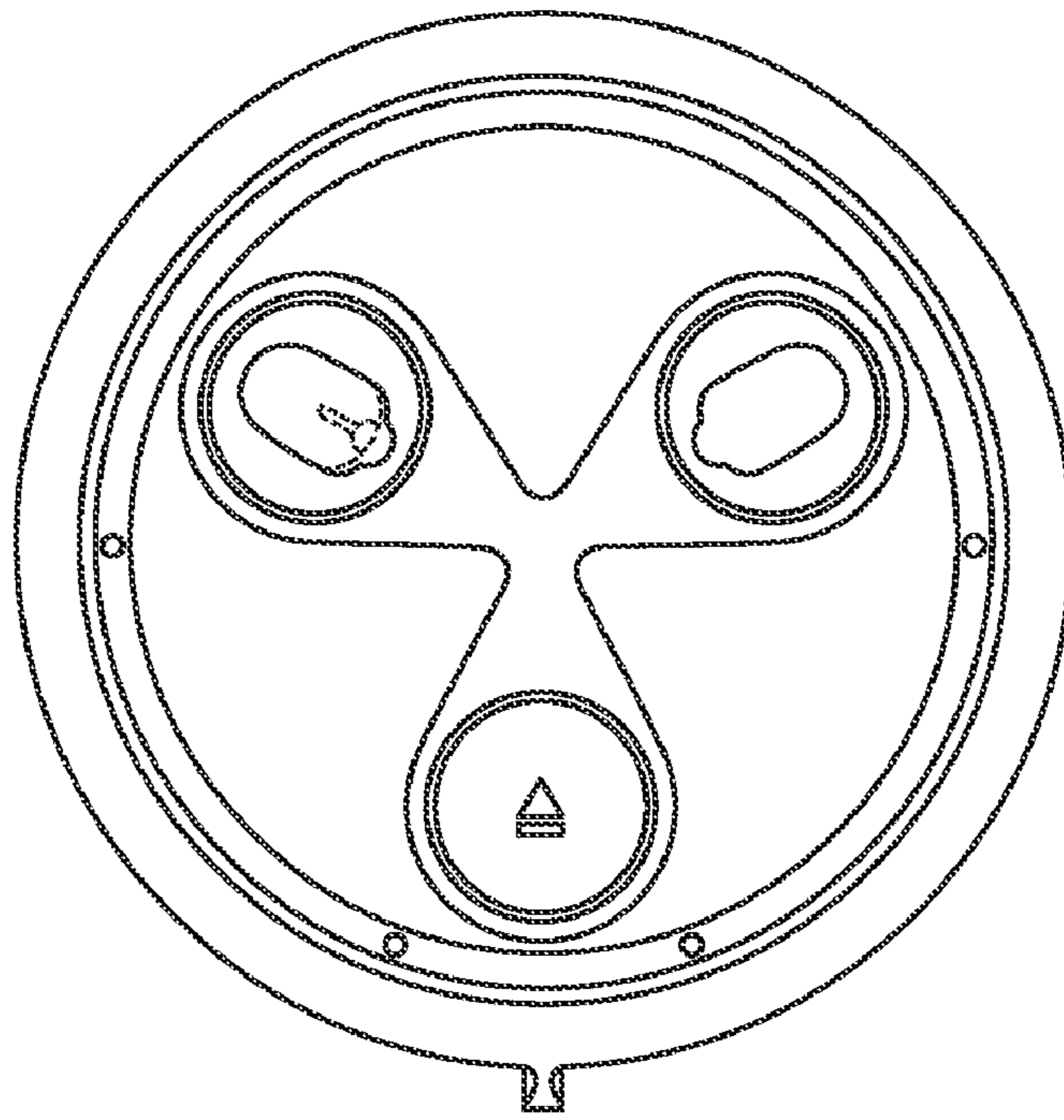


FIG. 6

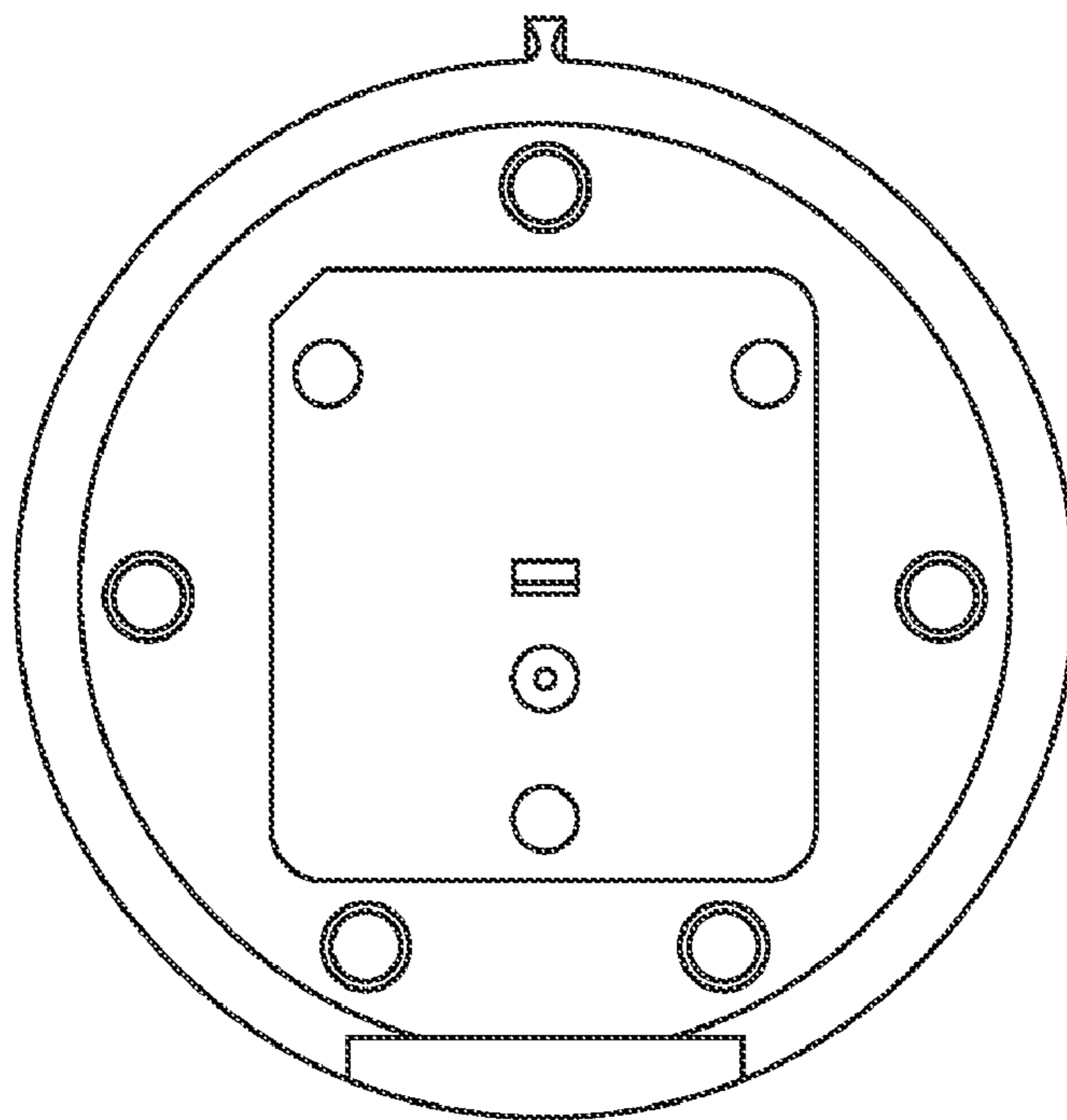


FIG. 7