

US00D608276S

(12) **United States Design Patent**
Takeshita et al.

(10) **Patent No.:** **US D608,276 S**
(45) **Date of Patent:** **** Jan. 19, 2010**

(54) **BATTERY**

D556,680 S * 12/2007 Matsumoto D13/103

(75) Inventors: **Toshio Takeshita**, Tokyo (JP); **Yoichi Miyajima**, Tokyo (JP); **Atsushi Takahashi**, Tokyo (JP); **Hiroaki Sato**, Tokyo (JP)

FOREIGN PATENT DOCUMENTS

JP D1163314 11/2002

OTHER PUBLICATIONS

U.S. Appl. No. 29/254,895, filed Mar. 2, 2006, Takeshita et al.
U.S. Appl. No. 29/254,889, filed Mar. 2, 2006, Takeshita et al.

(73) Assignee: **Sony Corporation**, Tokyo (JP)

(**) Term: **14 Years**

* cited by examiner

(21) Appl. No.: **29/254,895**

Primary Examiner—Cathron C Brooks
Assistant Examiner—Rosemary K Tarcza

(22) Filed: **Mar. 2, 2006**

(74) *Attorney, Agent, or Firm*—Oblon, Spivak, McClelland, Maier & Neustadt, P.C.

(30) **Foreign Application Priority Data**

Sep. 2, 2005 (JP) 2005-025527
Sep. 2, 2005 (JP) 2005-025528
Sep. 30, 2005 (CN) 2005 3 0129131
Sep. 30, 2005 (CN) 2005 3 0129138

(57) **CLAIM**

The ornamental design for a battery, as shown and described.

(51) **LOC (9) Cl.** **13-02**

(52) **U.S. Cl.** **D13/103**

(58) **Field of Classification Search** D13/102–106,
D13/110, 118–121, 184; 429/96–100, 163,
429/176

See application file for complete search history.

DESCRIPTION

The design of the present application is directed to a battery that can be used, for example, in a camera or camcorder.

FIG. 1 is a top and right front perspective view of a first embodiment of a battery, showing our design;

FIG. 2 is a front elevational view of the first embodiment;

FIG. 3 is a rear elevational view of the first embodiment;

FIG. 4 is a left side elevational view of the first embodiment;

FIG. 5 is a right side elevational view of the first embodiment;

FIG. 6 is a top plan view of the first embodiment, rotated ninety degrees clockwise;

FIG. 7 is a bottom plan view of the first embodiment, rotated ninety degrees counterclockwise;

FIG. 8 is a top and right front perspective view of a second embodiment of a battery, showing our design;

FIG. 9 is a front elevational view of the second embodiment;

FIG. 10 is a rear elevational view of the second embodiment;

FIG. 11 is a left side elevational view of the second embodiment;

FIG. 12 is a right side elevational view of the second embodiment;

(56) **References Cited**

U.S. PATENT DOCUMENTS

D303,524 S * 9/1989 Siegner et al. D14/438
D403,656 S * 1/1999 Ichikawa D13/103
D428,384 S * 7/2000 Maeyama D13/103
D432,982 S * 10/2000 Miyashita D13/103
D439,877 S * 4/2001 Vacheron et al. D13/103
D503,673 S * 4/2005 Rosengrant D13/103
D503,922 S * 4/2005 Shimizu D13/103
D509,182 S * 9/2005 Takeshita et al. D13/103
D512,018 S * 11/2005 Matsuda et al. D13/103
D515,499 S * 2/2006 Matsuda et al. D13/103
D516,503 S * 3/2006 Takeshita et al. D13/103
D521,447 S * 5/2006 Ono et al. D13/103
D522,451 S * 6/2006 Hayes et al. D13/103
D529,437 S * 10/2006 Miyashita D13/103

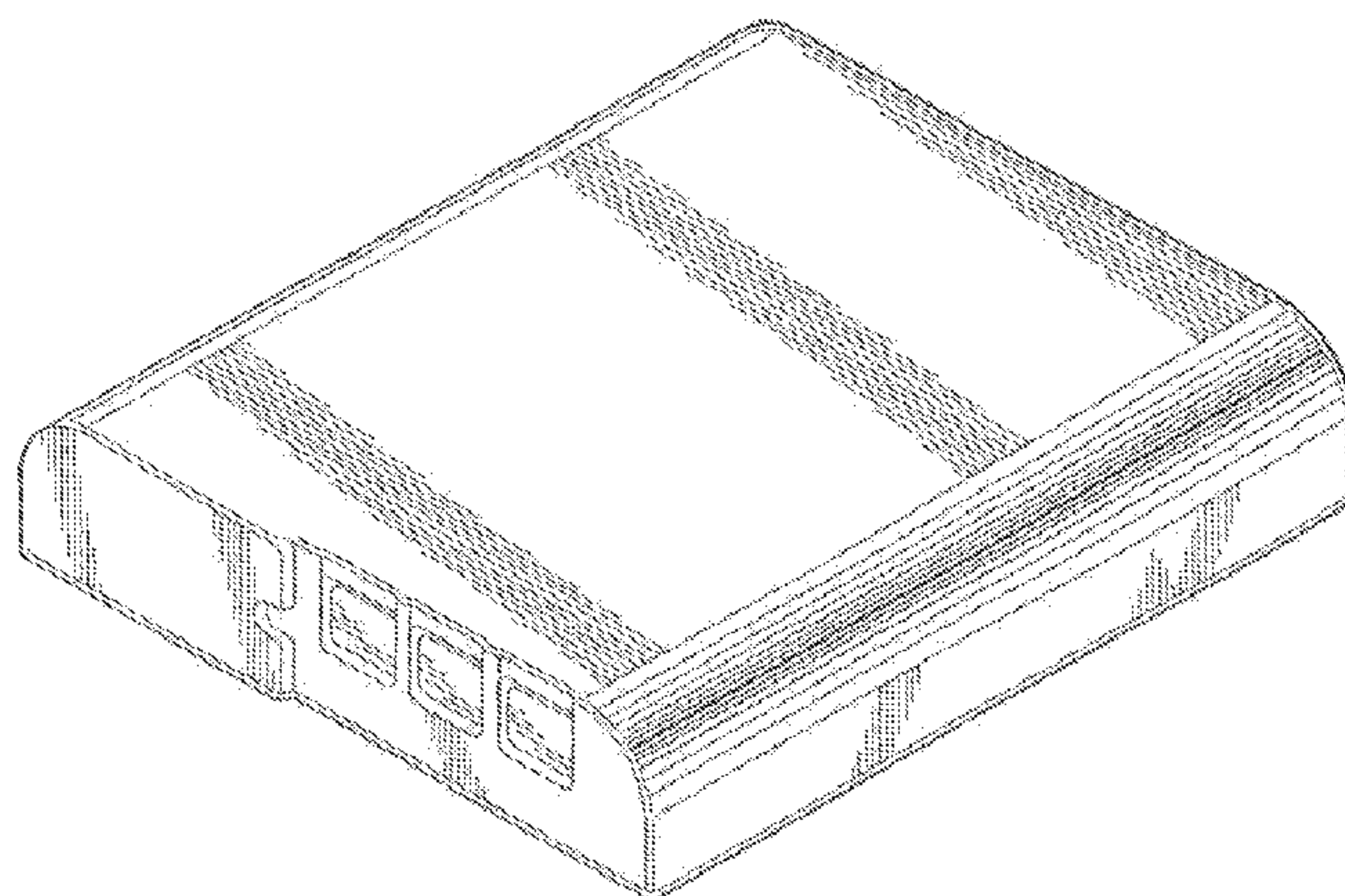


FIG. **13** is a top plan view of the second embodiment, rotated ninety degrees clockwise;

FIG. **14** is a bottom plan view of the second embodiment, rotated ninety degrees counterclockwise;

FIG. **15** is a top and right front perspective view of a third embodiment of a battery, showing our design;

FIG. **16** is a front elevational view of the third embodiment;

FIG. **17** is a rear elevational view of the third embodiment;

FIG. **18** is a left side elevational view of the third embodiment;

FIG. **19** is a right side elevational view of the third embodiment;

FIG. **20** is a top plan view of the third embodiment, rotated ninety degrees clockwise;

FIG. **21** is a bottom plan view of the third embodiment, rotated ninety degrees counterclockwise;

FIG. **22** is a top and right front perspective view of a fourth embodiment of a battery, showing our design;

FIG. **23** is a front elevational view of the fourth embodiment;

FIG. **24** is a rear elevational view of the fourth embodiment;

FIG. **25** is a left side elevational view of the fourth embodiment; and,

FIG. **26** is a right side elevational view of the fourth embodiment.

The phantom lines shown in the fourth embodiment are for the purpose of illustrating environmental structure and form no part of the claimed design.

1 Claim, 12 Drawing Sheets

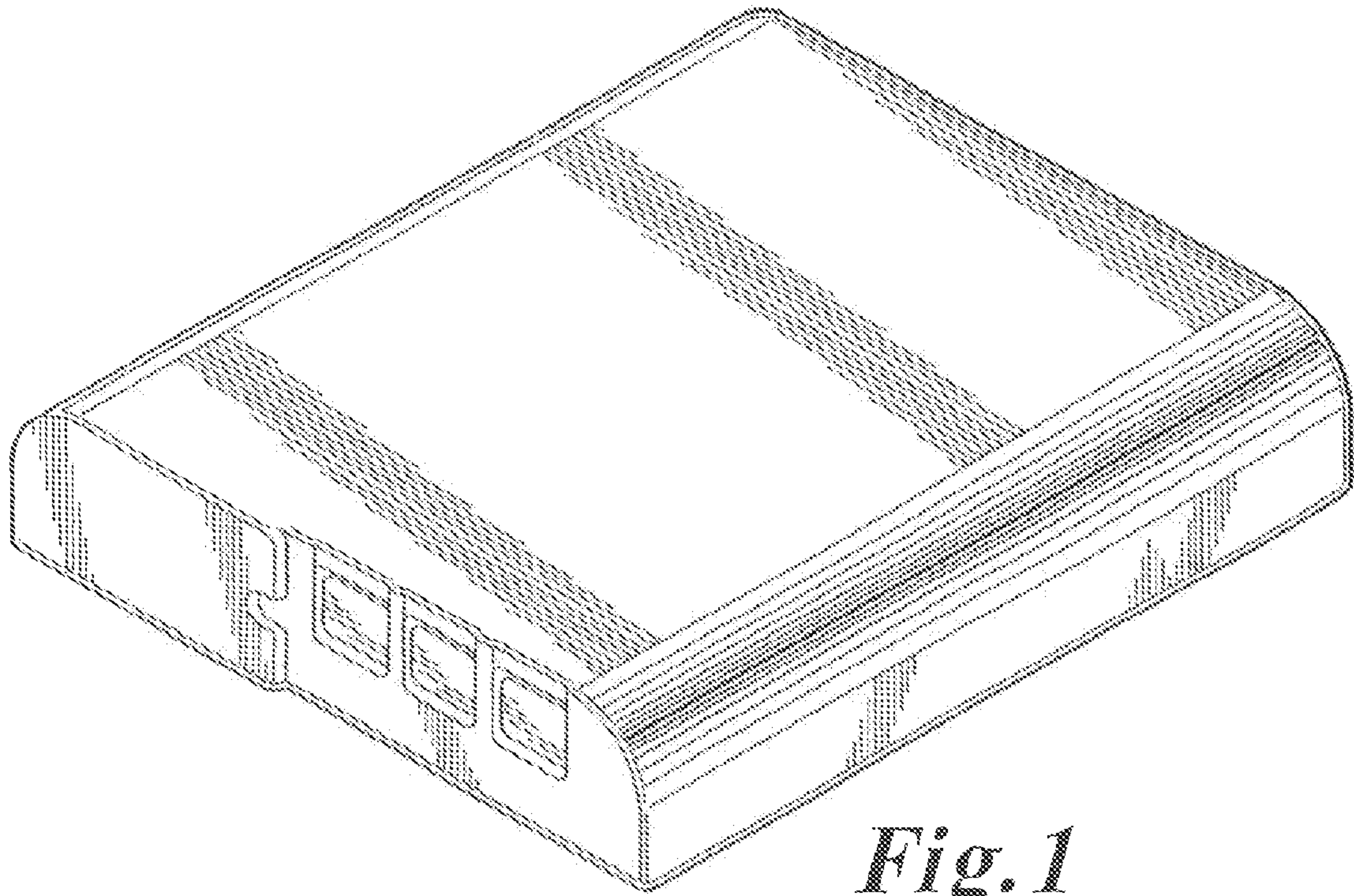


Fig. 1

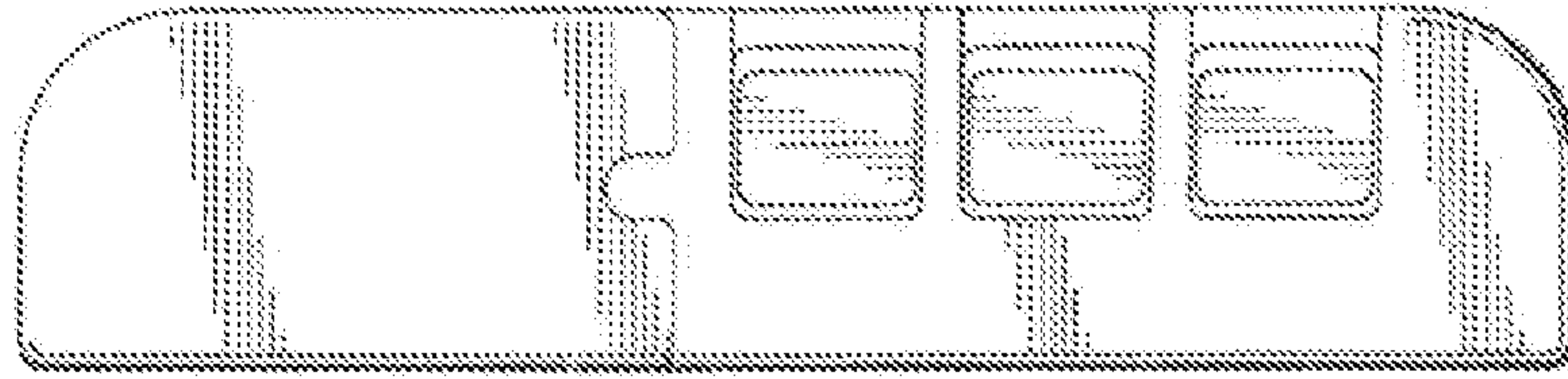


Fig. 2

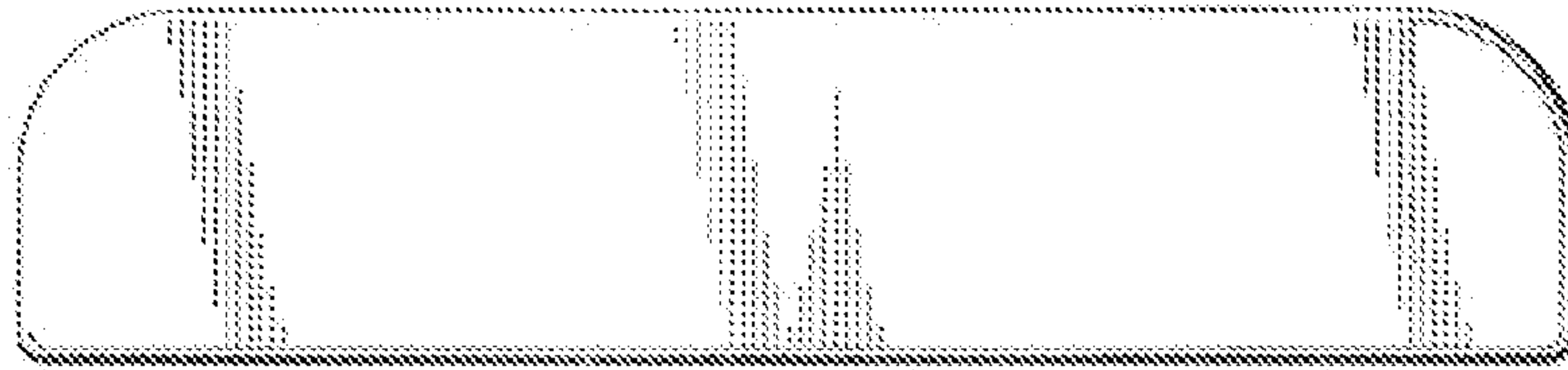


Fig. 3

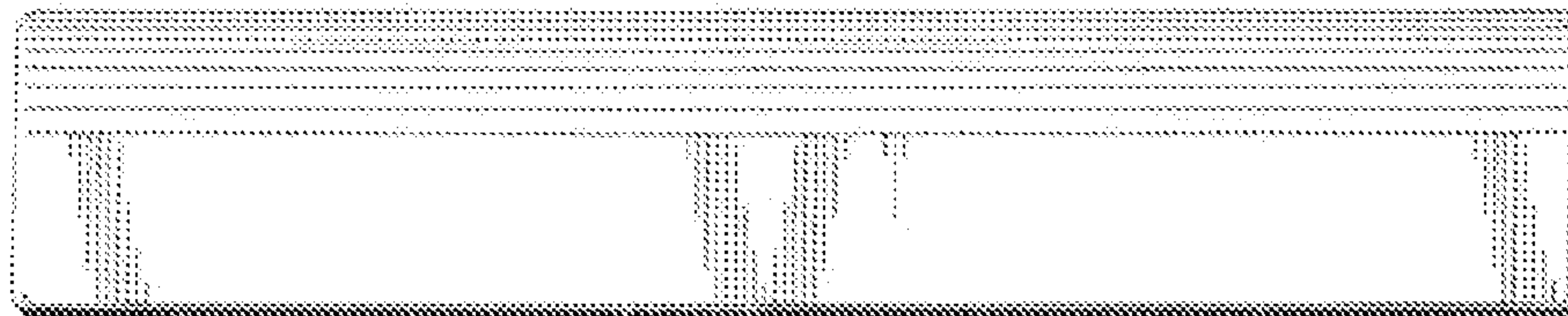


Fig. 4

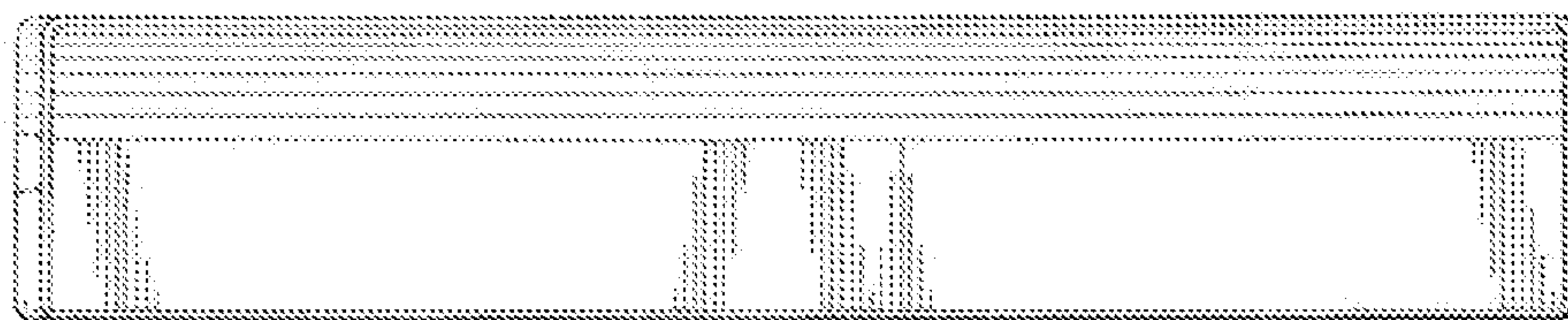


Fig. 5

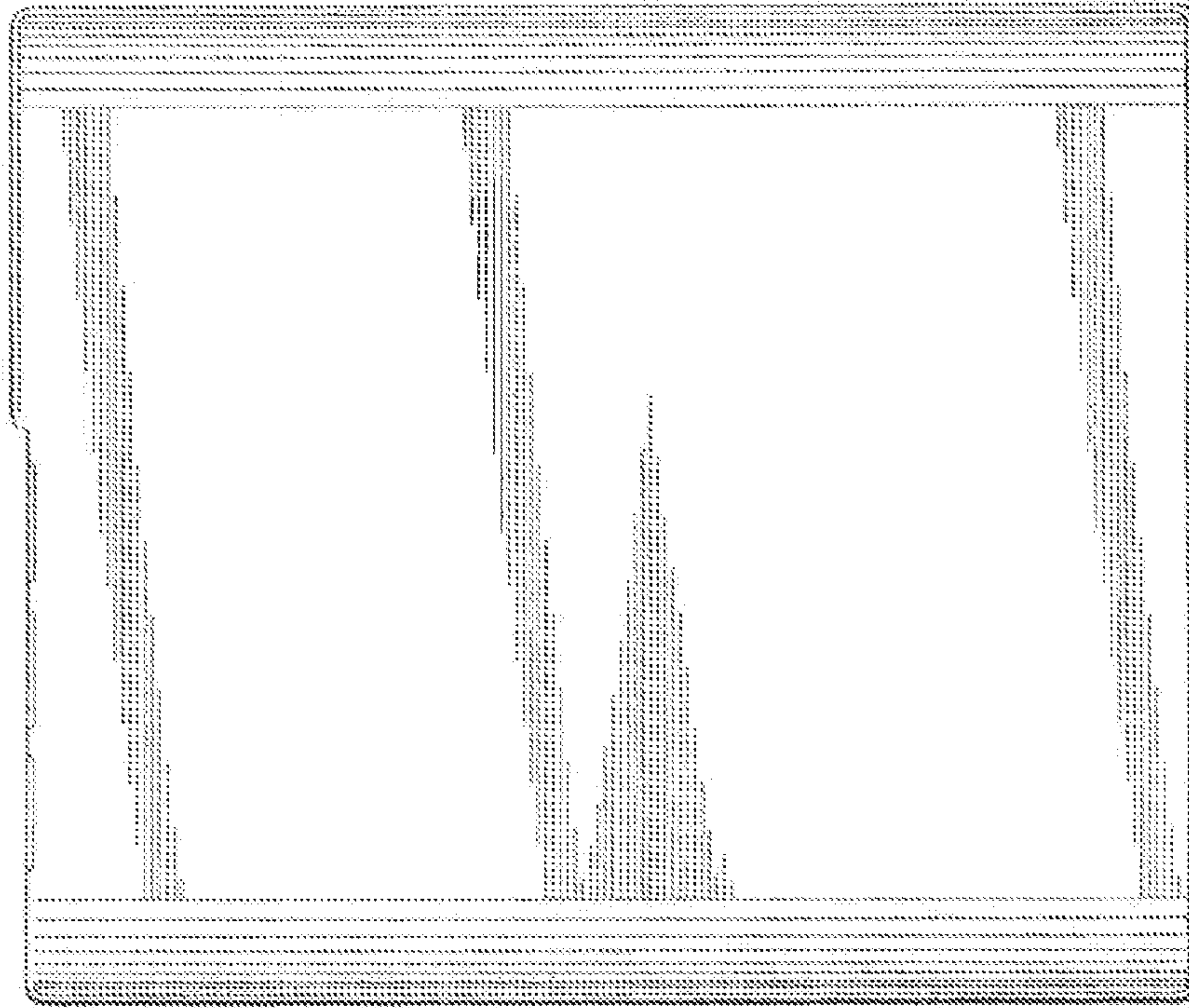


Fig. 6

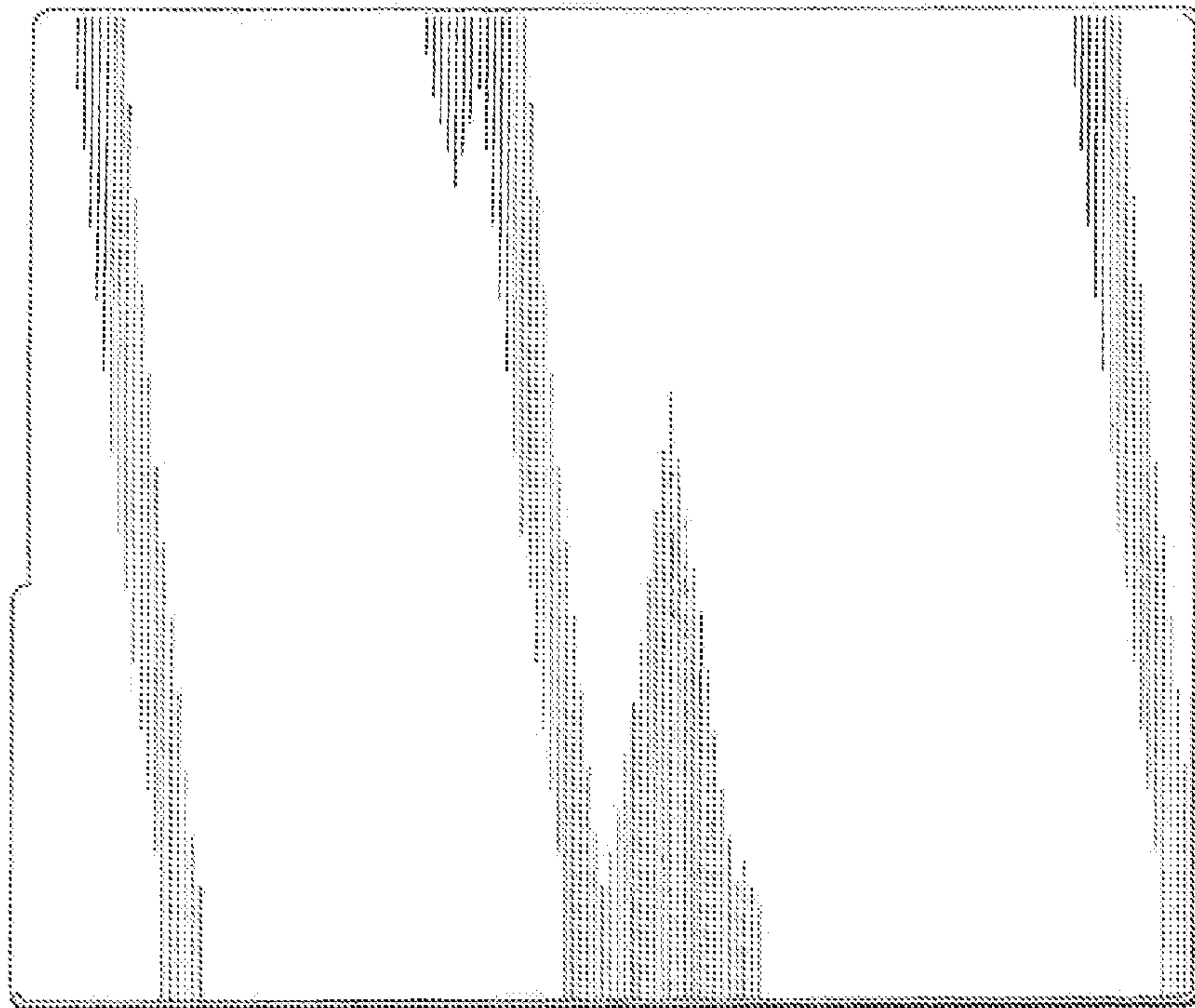


Fig. 7

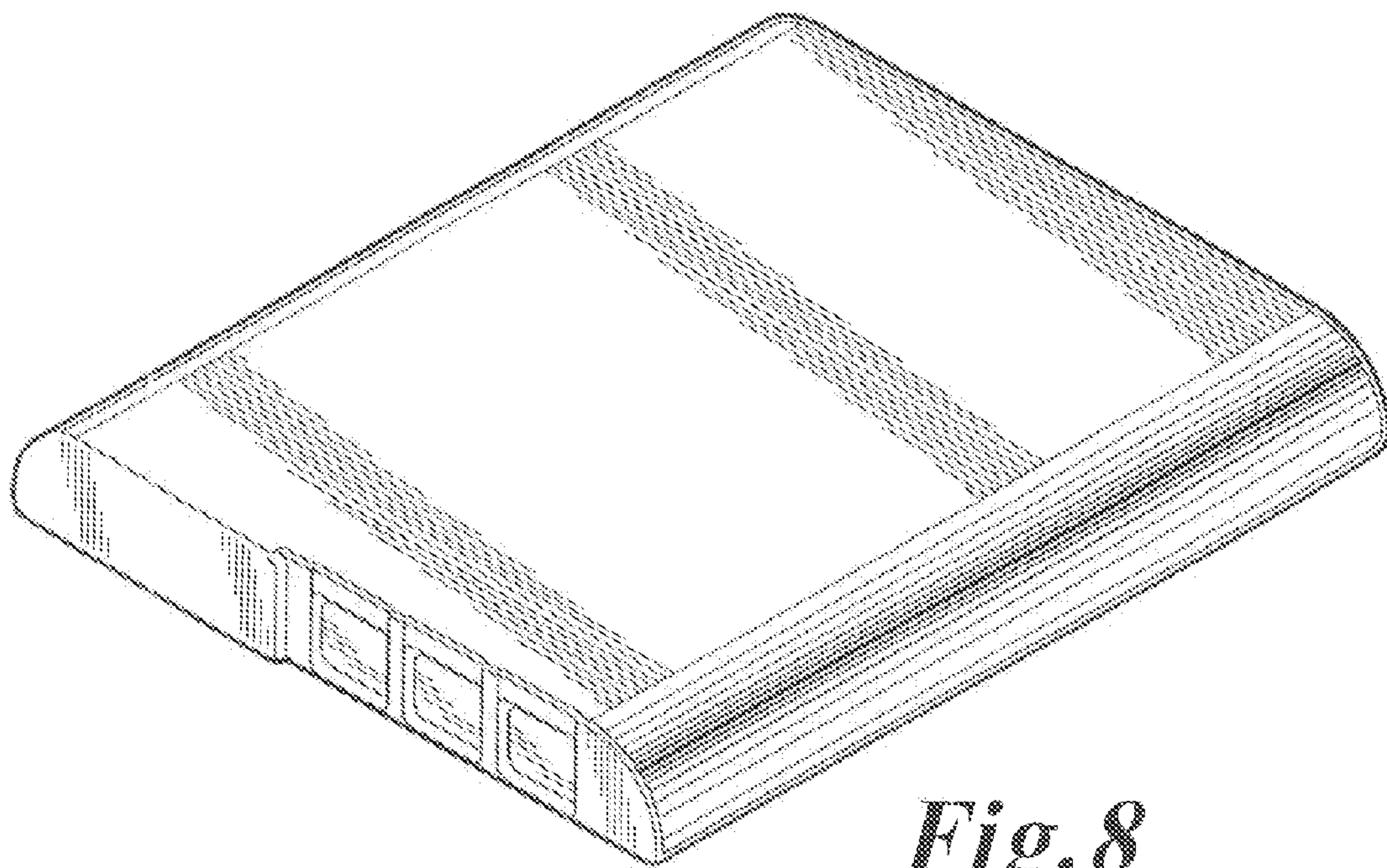


Fig. 8

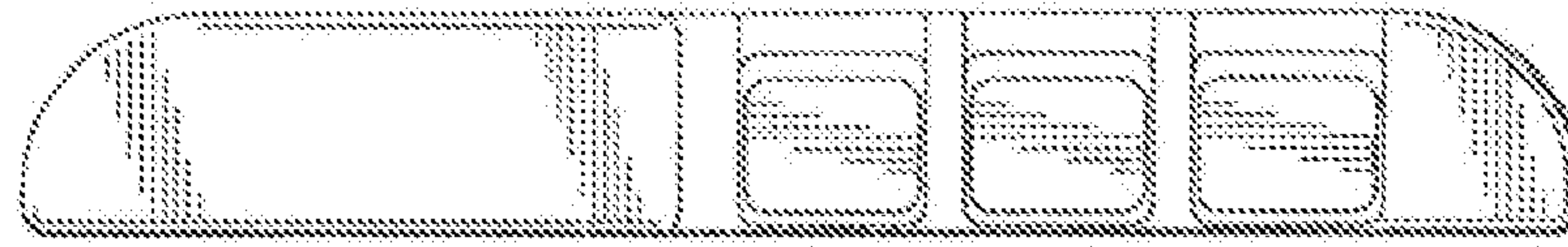


Fig. 9

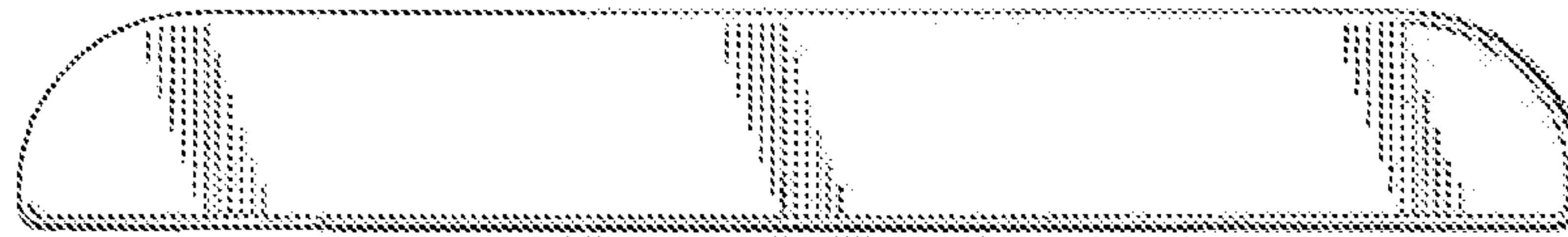


Fig. 10

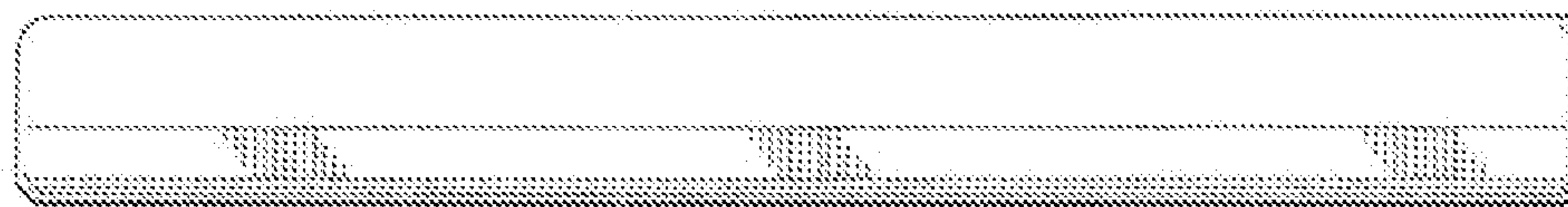


Fig. 11

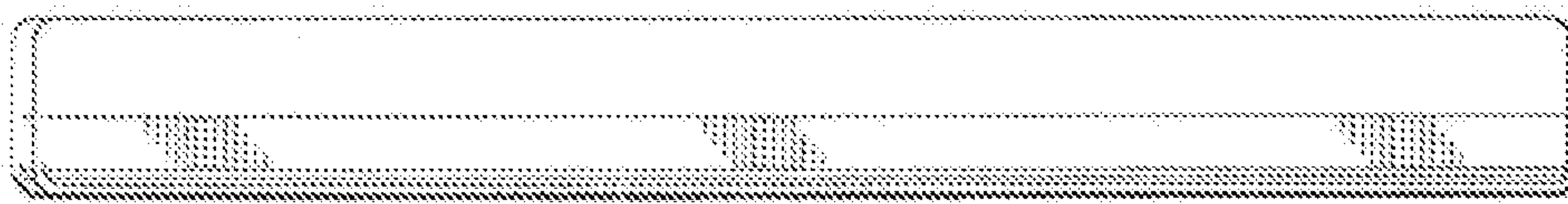


Fig. 12

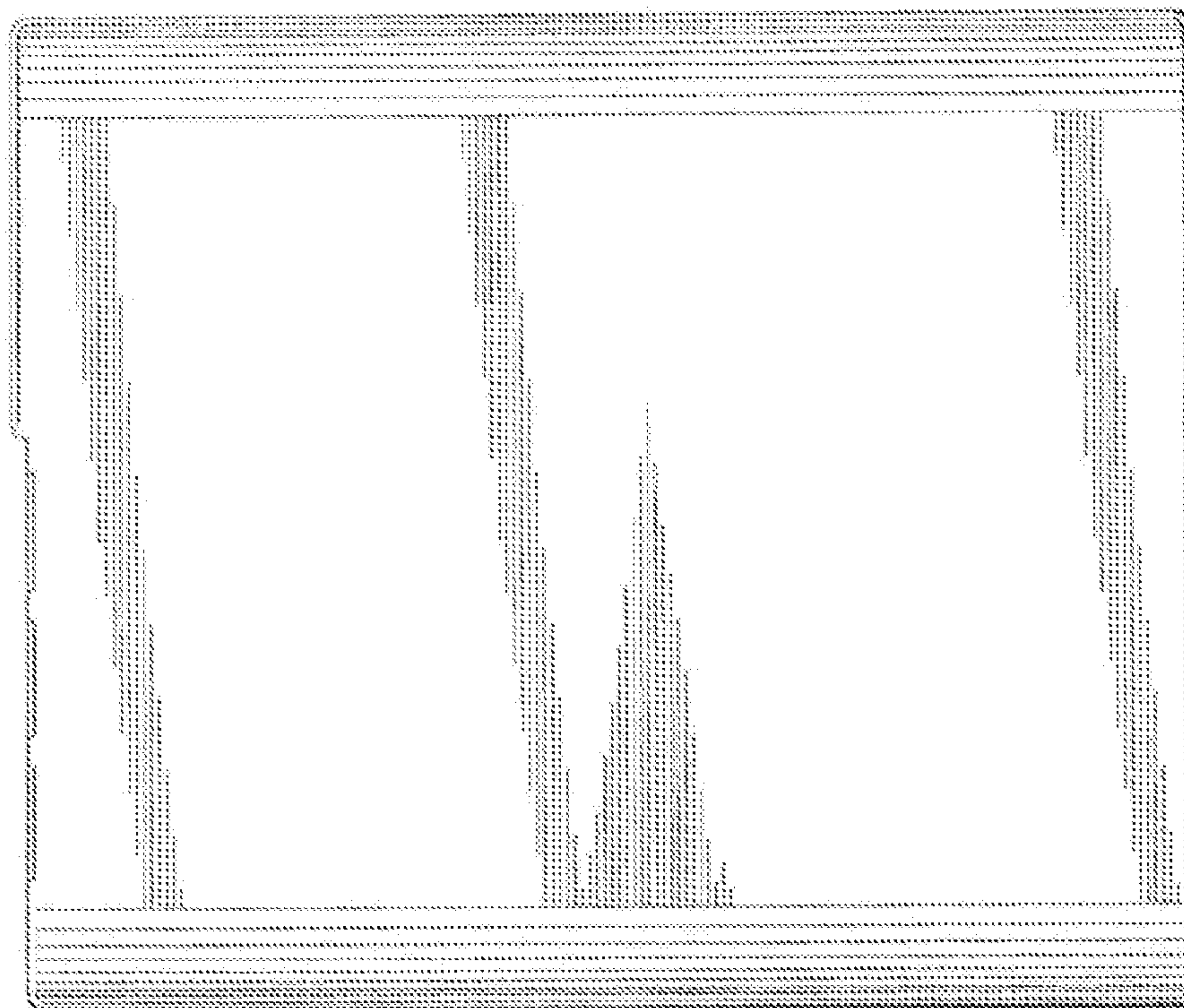


Fig. 13

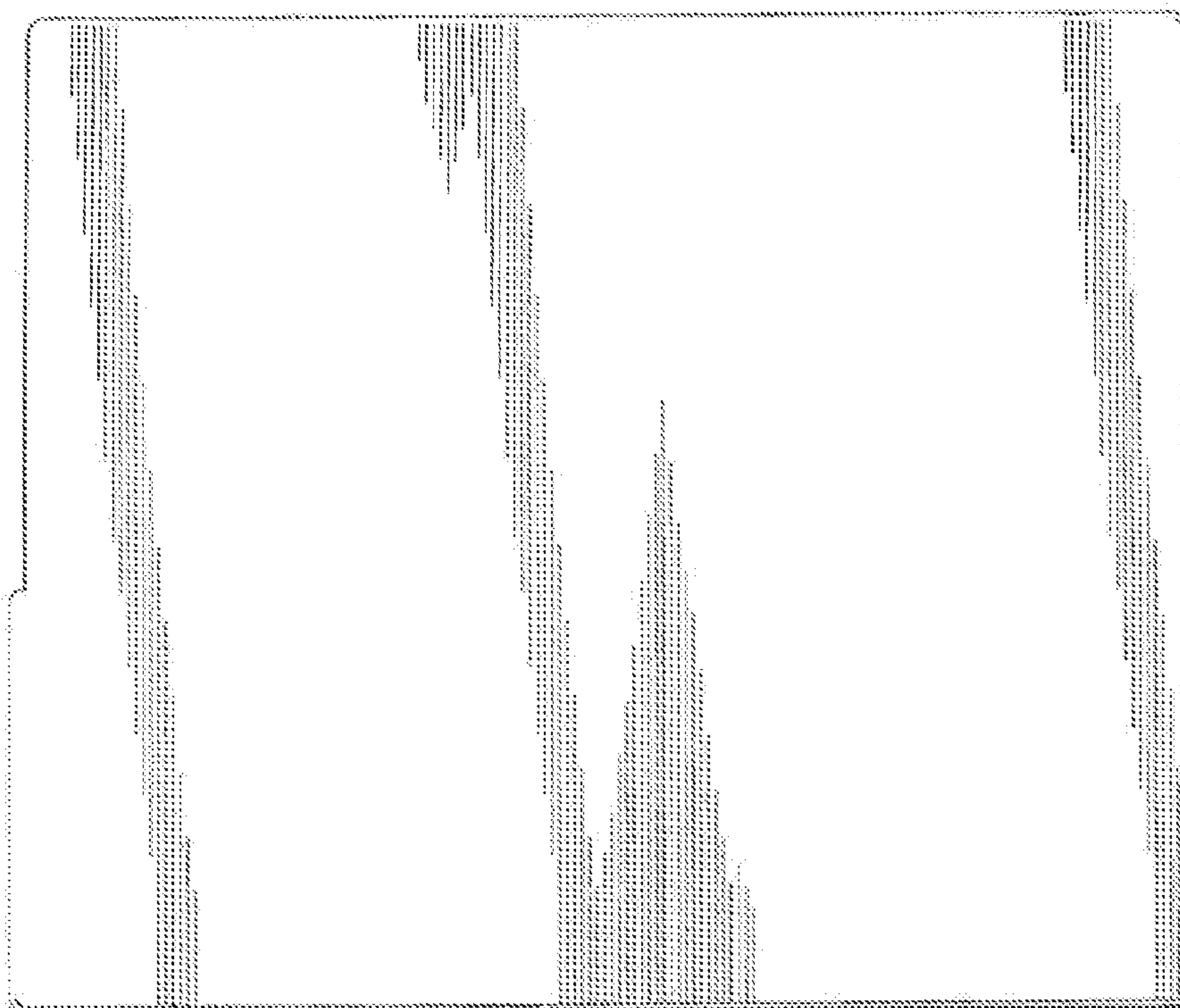


Fig. 14

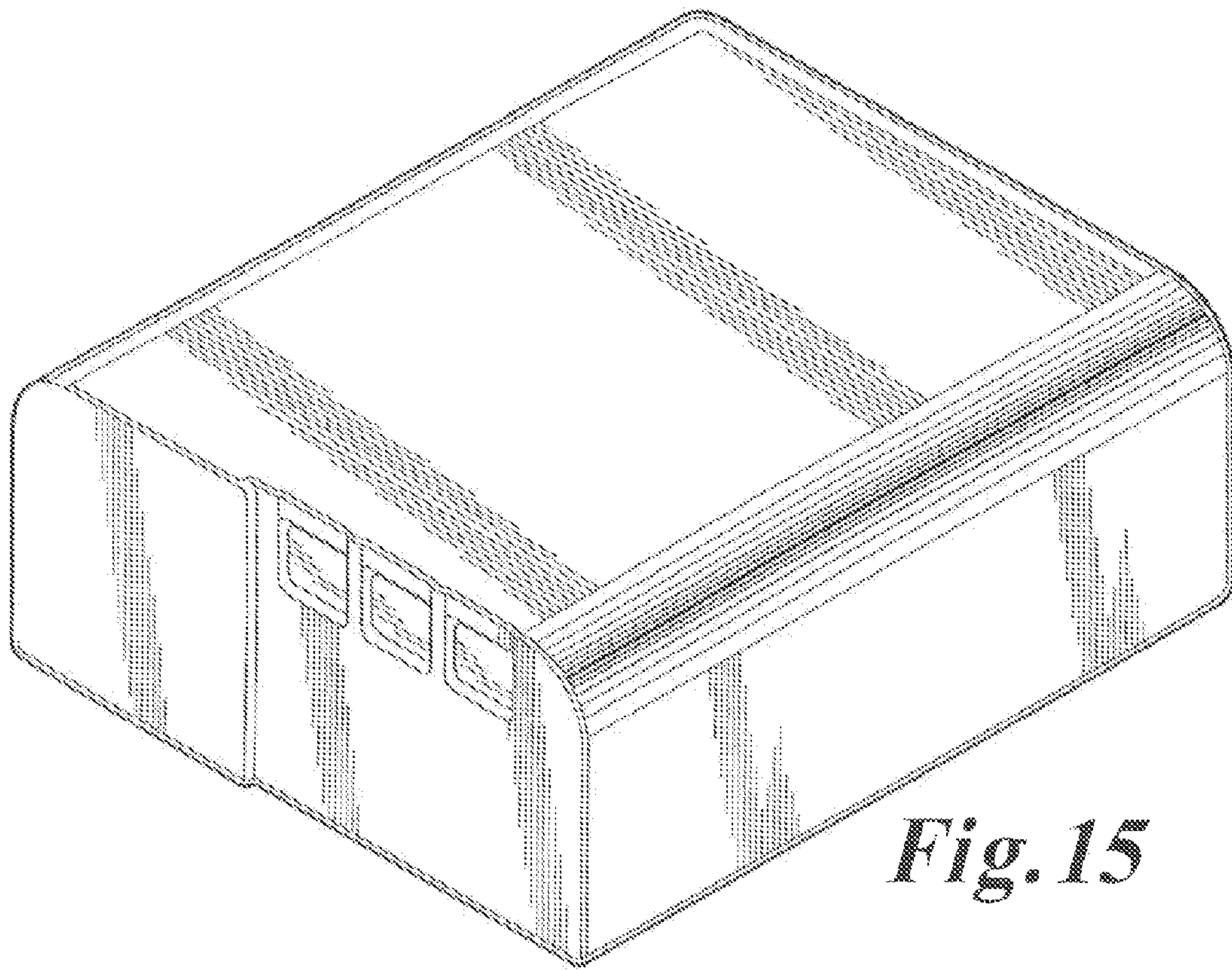


Fig. 15

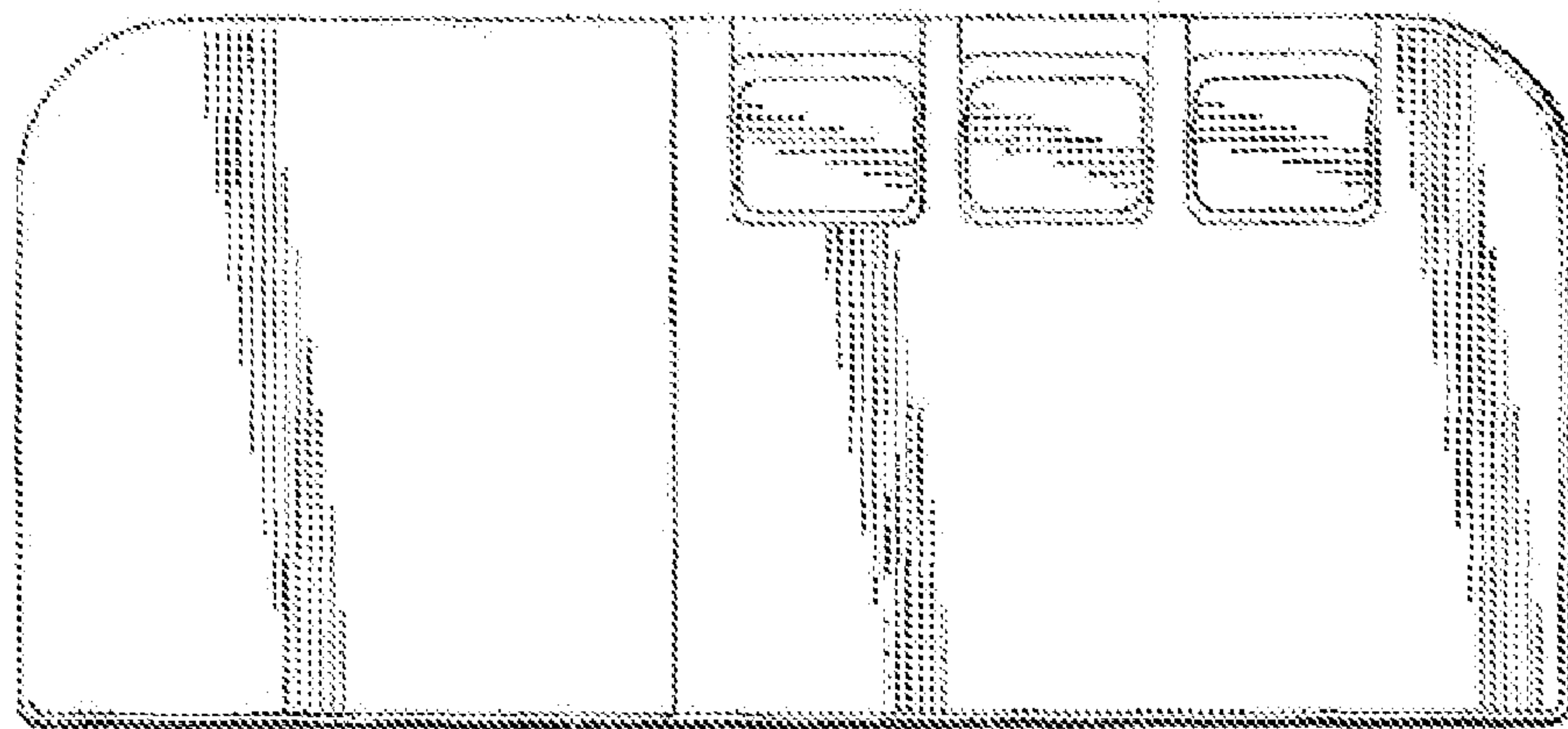


Fig. 16

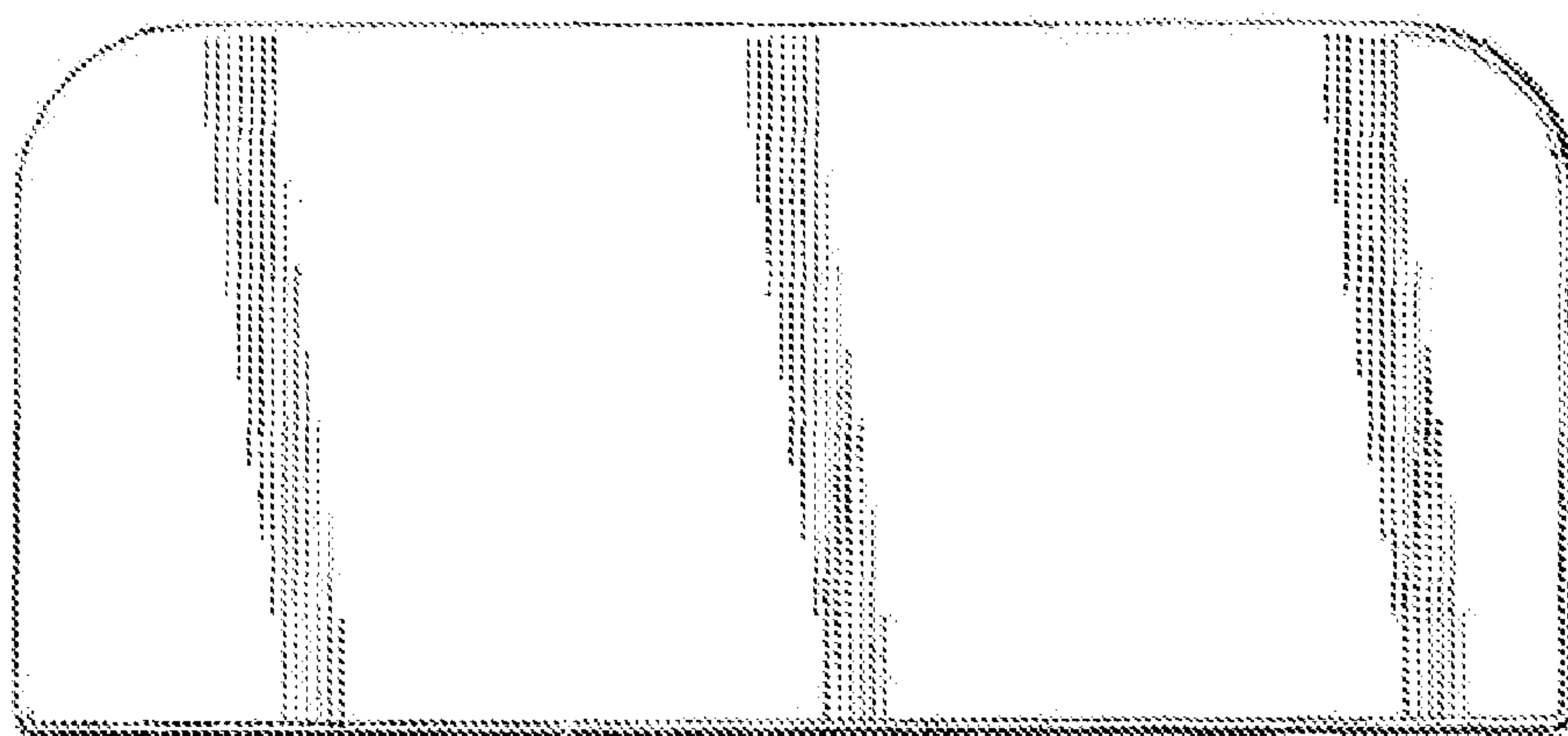


Fig. 17

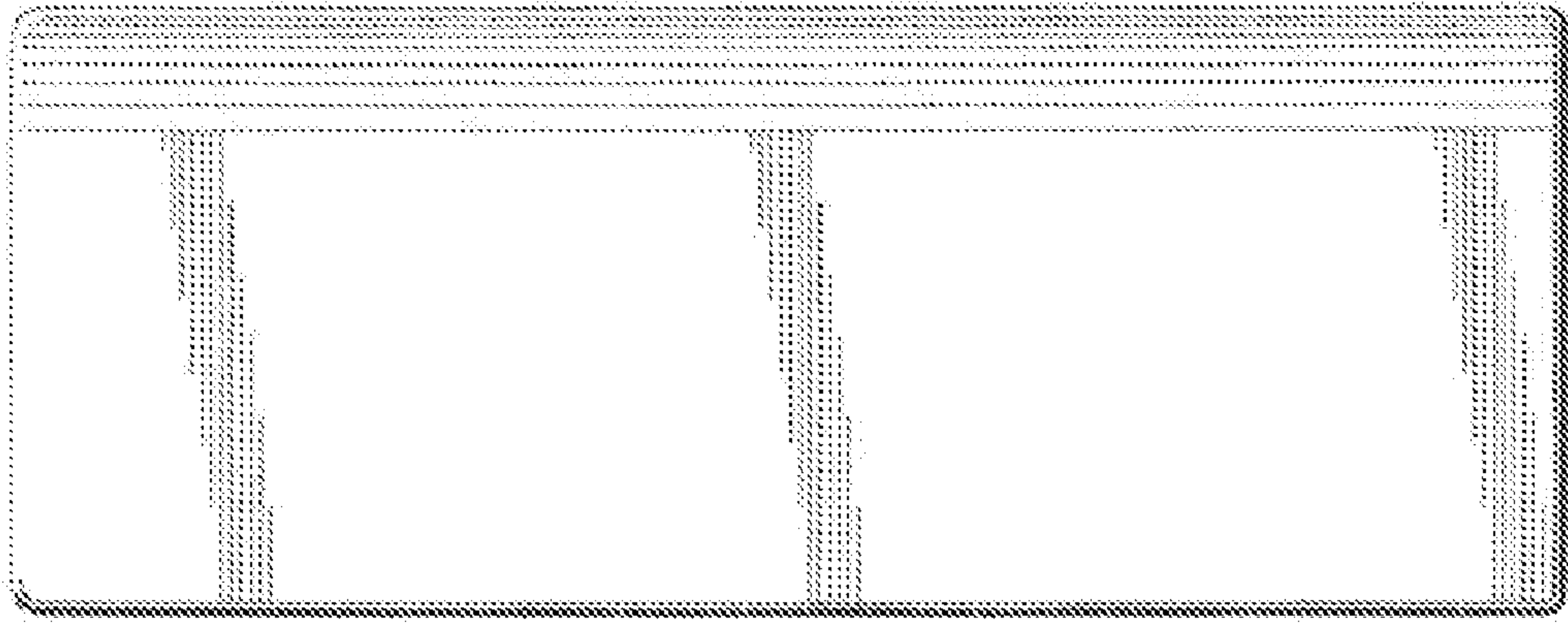


Fig. 18

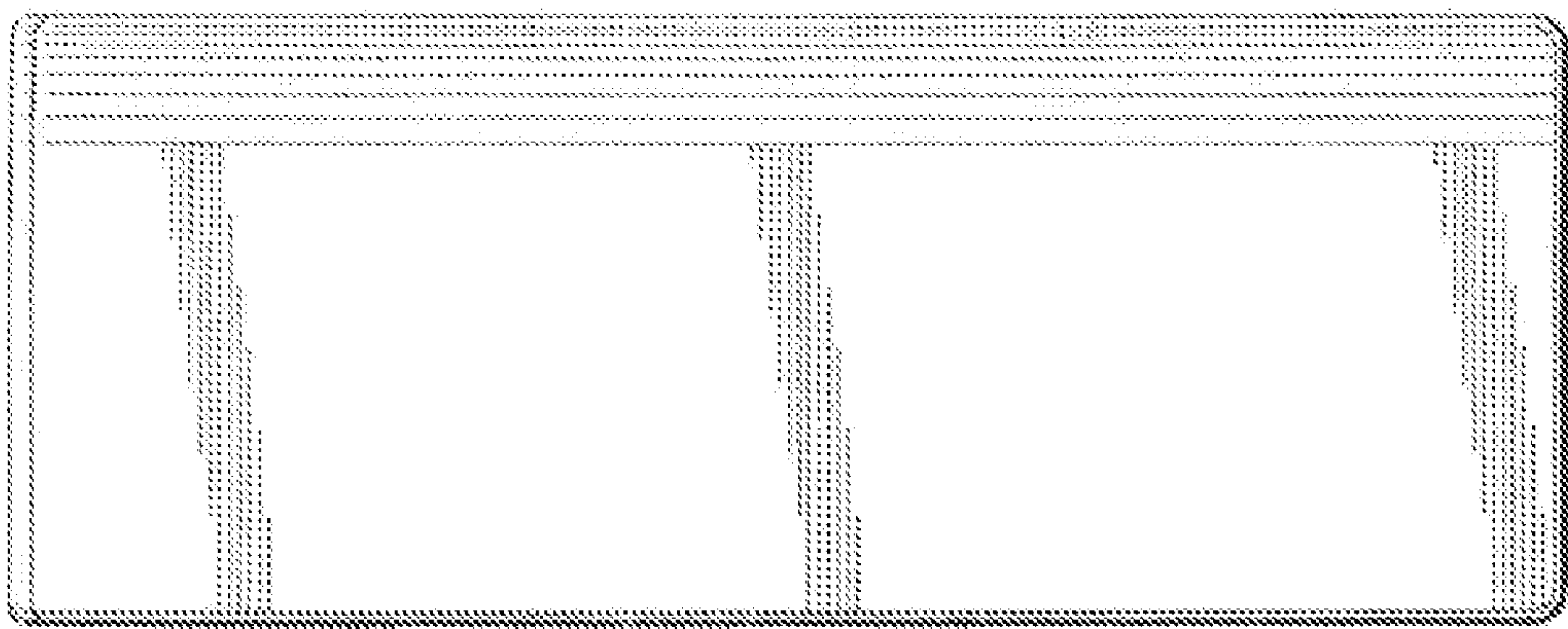


Fig. 19

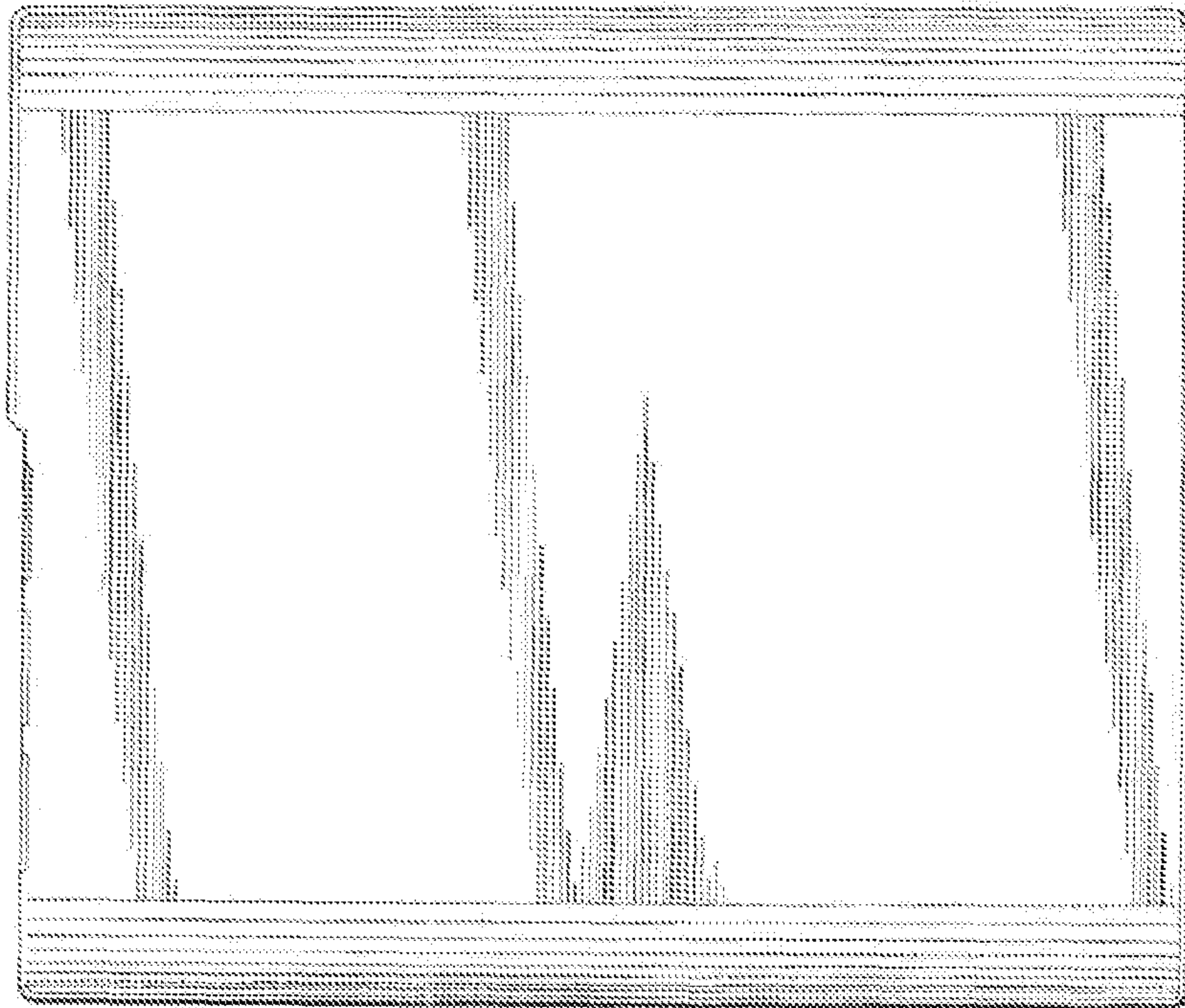


Fig. 20

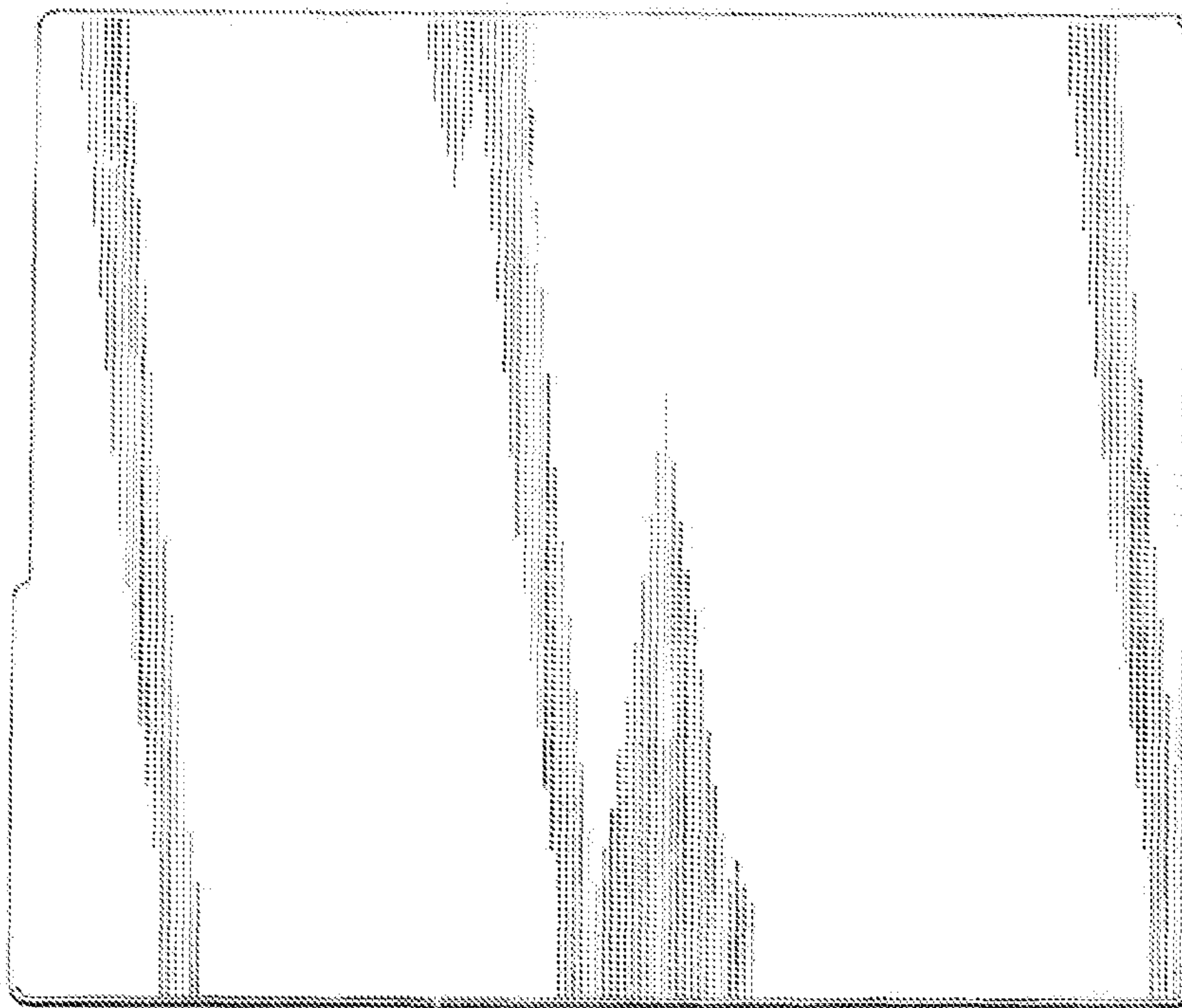


Fig. 21

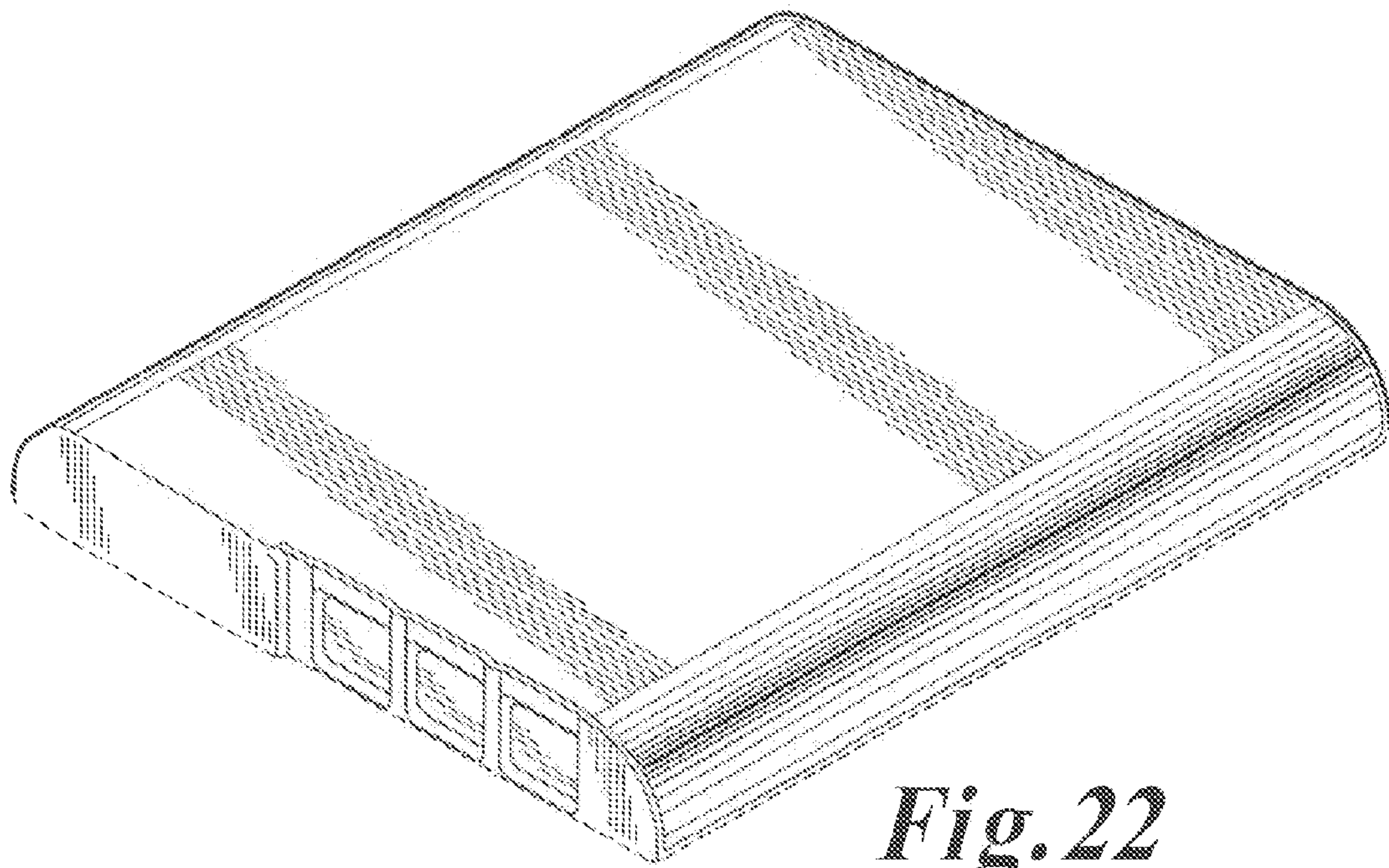


Fig. 22

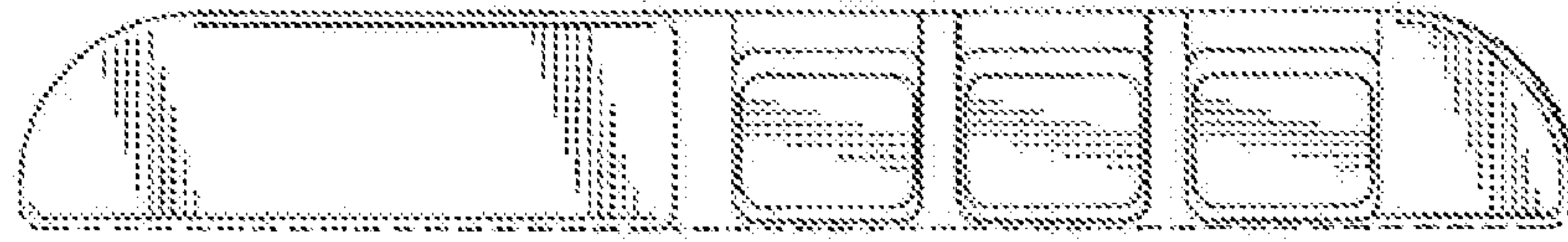


Fig. 23

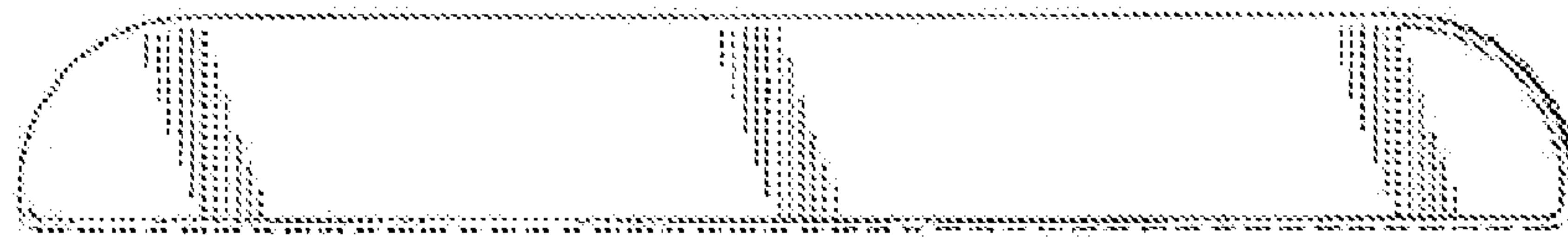


Fig. 24

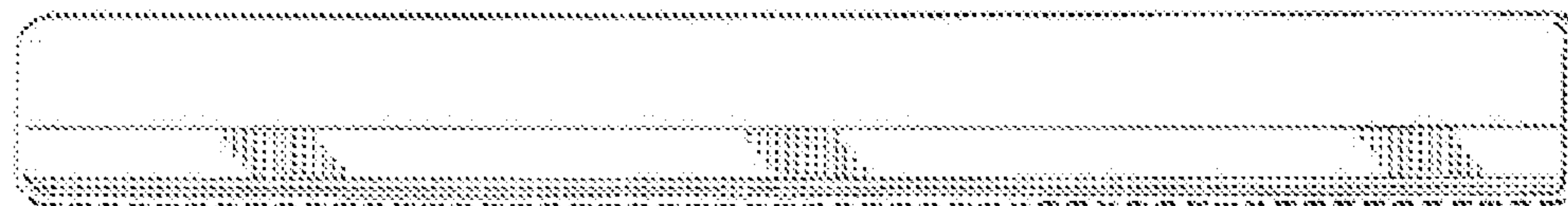


Fig. 25

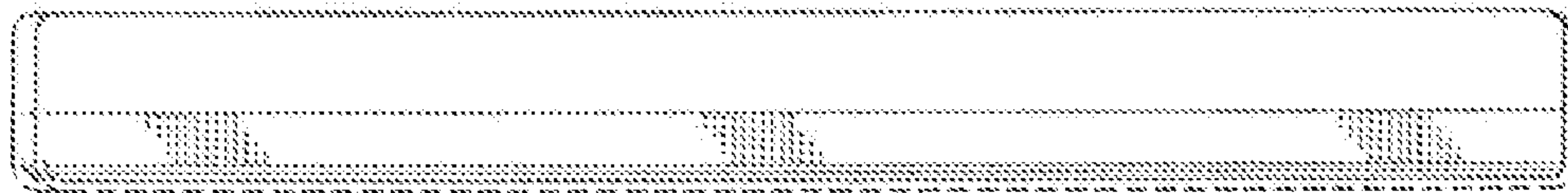


Fig. 26