



US00D608269S

(12) **United States Design Patent**  
**Aruga et al.**

(10) **Patent No.:** **US D608,269 S**

(45) **Date of Patent:** **\*\* Jan. 19, 2010**

(54) **VEHICLE WINDOW PANEL**

(75) Inventors: **Hiroyasu Aruga**, Aichi-Ken (JP);  
**Takafumi Nakatani**, Aichi-Ken (JP);  
**Eisuke Noda**, Aichi-Ken (JP); **Zenji Hayakawa**, Aichi-Ken (JP)

(73) Assignee: **Mitsubishi Heavy Industries, Ltd.**,  
Tokyo (JP)

(\*\*) Term: **14 Years**

(21) Appl. No.: **29/290,489**

(22) Filed: **Dec. 10, 2007**

(30) **Foreign Application Priority Data**

Jun. 11, 2007 (JP) ..... 2007-015440

(51) **LOC (9) Cl.** ..... **12-07**

(52) **U.S. Cl.** ..... **D12/345**

(58) **Field of Classification Search** ..... D12/183,  
D12/181, 19, 400-401; D25/53; 160/105,  
160/370.21, DIG. 2, DIG. 3, 368.1; 280/749;  
296/97.1, 97.7

See application file for complete search history.

(56) **References Cited**

**U.S. PATENT DOCUMENTS**

D236,457 S \* 8/1975 Davidyan ..... D12/183

D285,785 S \* 9/1986 Westall ..... D12/183  
2003/0080252 A1 \* 5/2003 Jones ..... 244/129.3  
2008/0230653 A1 \* 9/2008 Mitchell et al. .... 244/129.3

\* cited by examiner

*Primary Examiner*—T. Chase Nelson

*Assistant Examiner*—Michael A Pratt

(74) *Attorney, Agent, or Firm*—Birch, Stewart, Kolasch &  
Birch LLP

(57) **CLAIM**

The ornamental design for a vehicle window panel, as shown and described.

**DESCRIPTION**

FIG. 1 is a front view of a vehicle window panel showing our new design:

FIG. 2 is a rear view thereof;

FIG. 3 is a right side view thereof;

FIG. 4 is a left side view thereof;

FIG. 5 is a top (plan) view thereof;

FIG. 6 is a bottom view thereof; and,

FIG. 7 is a perspective view thereof.

**1 Claim, 6 Drawing Sheets**





FIG.1

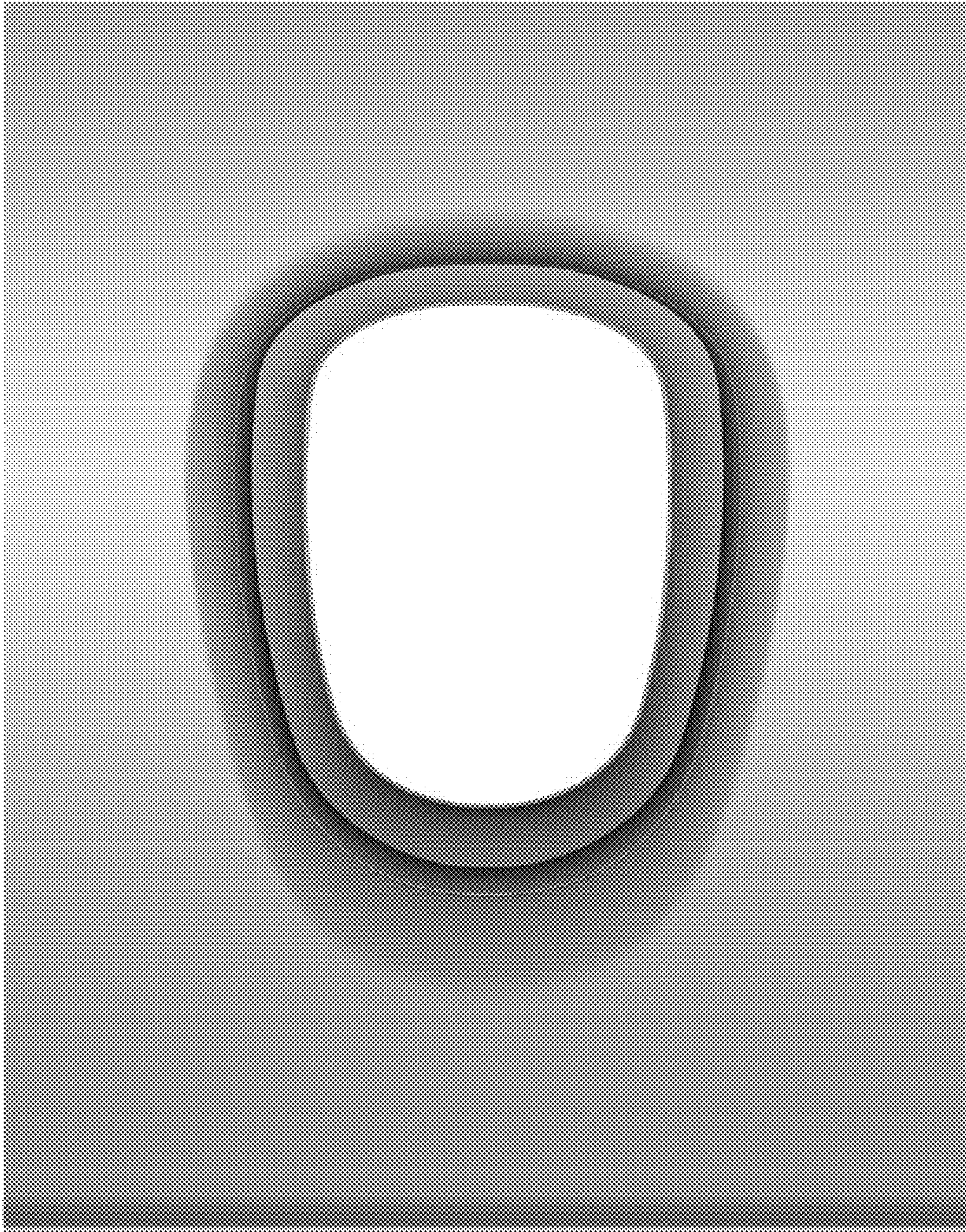


FIG.2



FIG.3

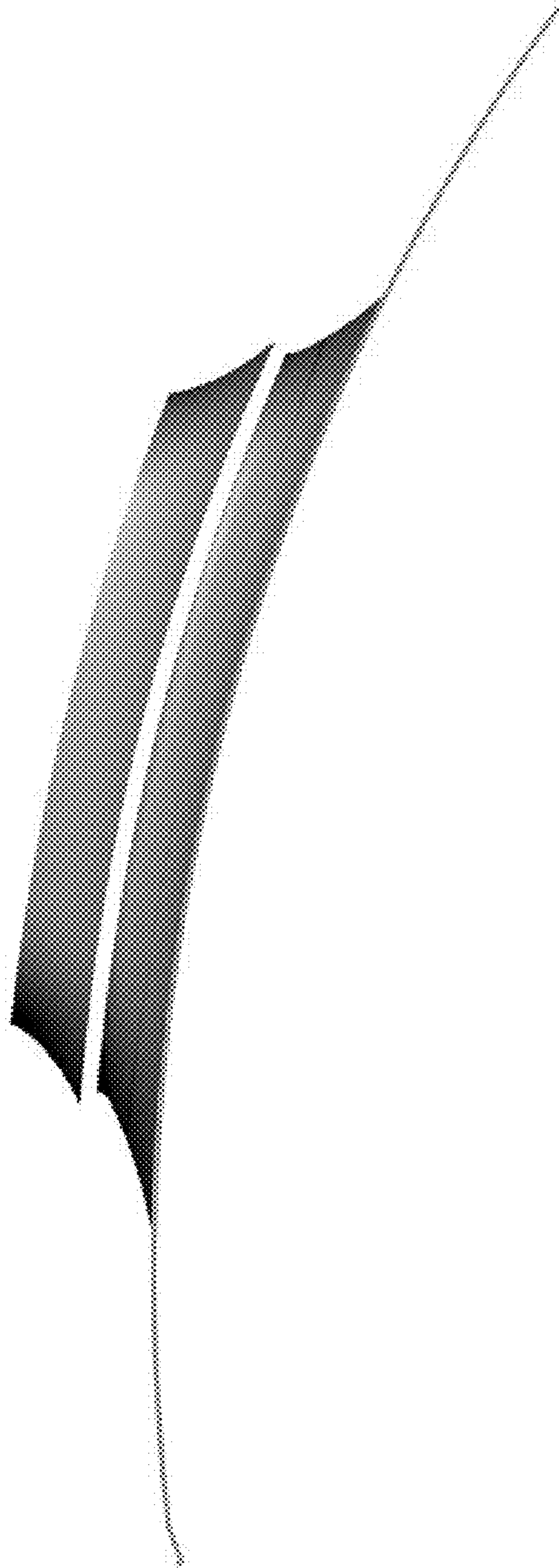


FIG.4

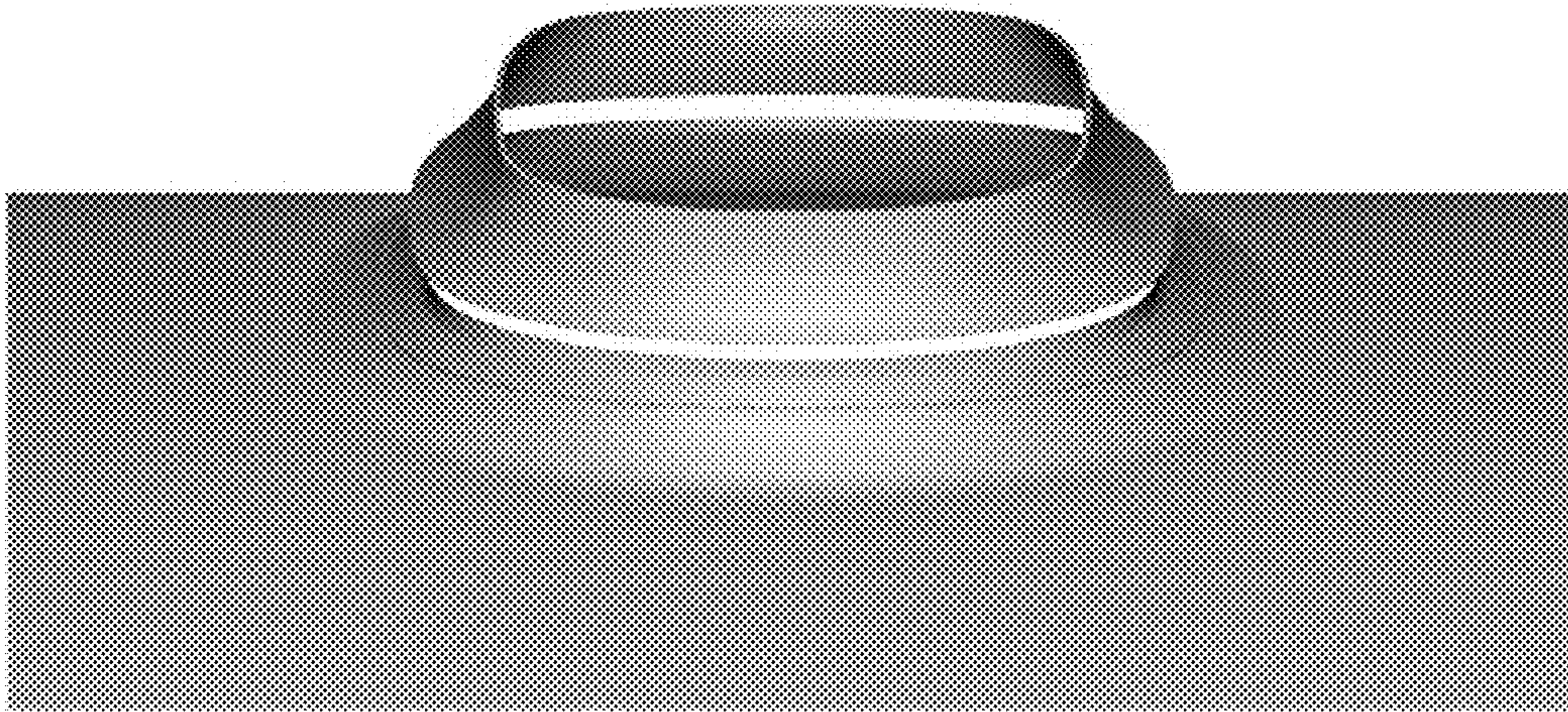


FIG. 5

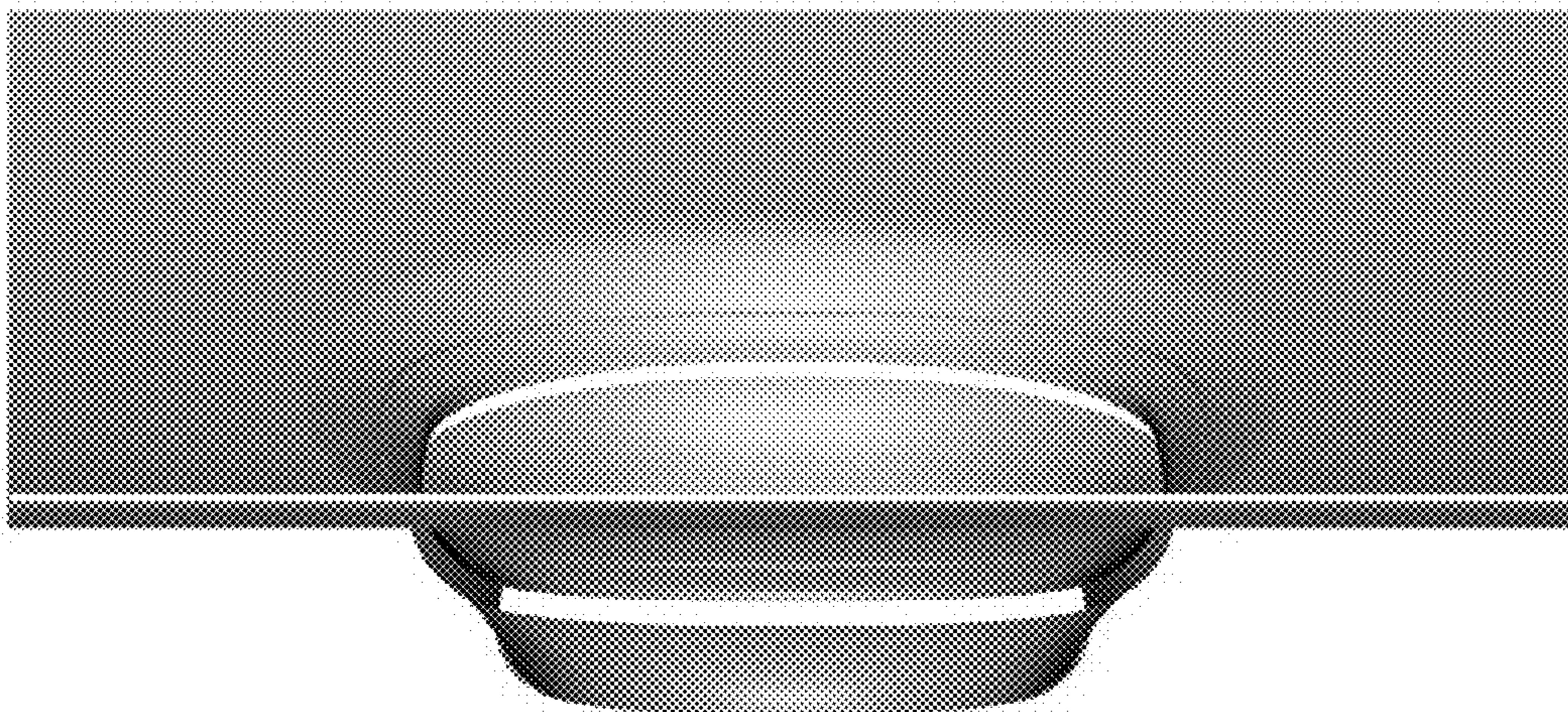


FIG. 6

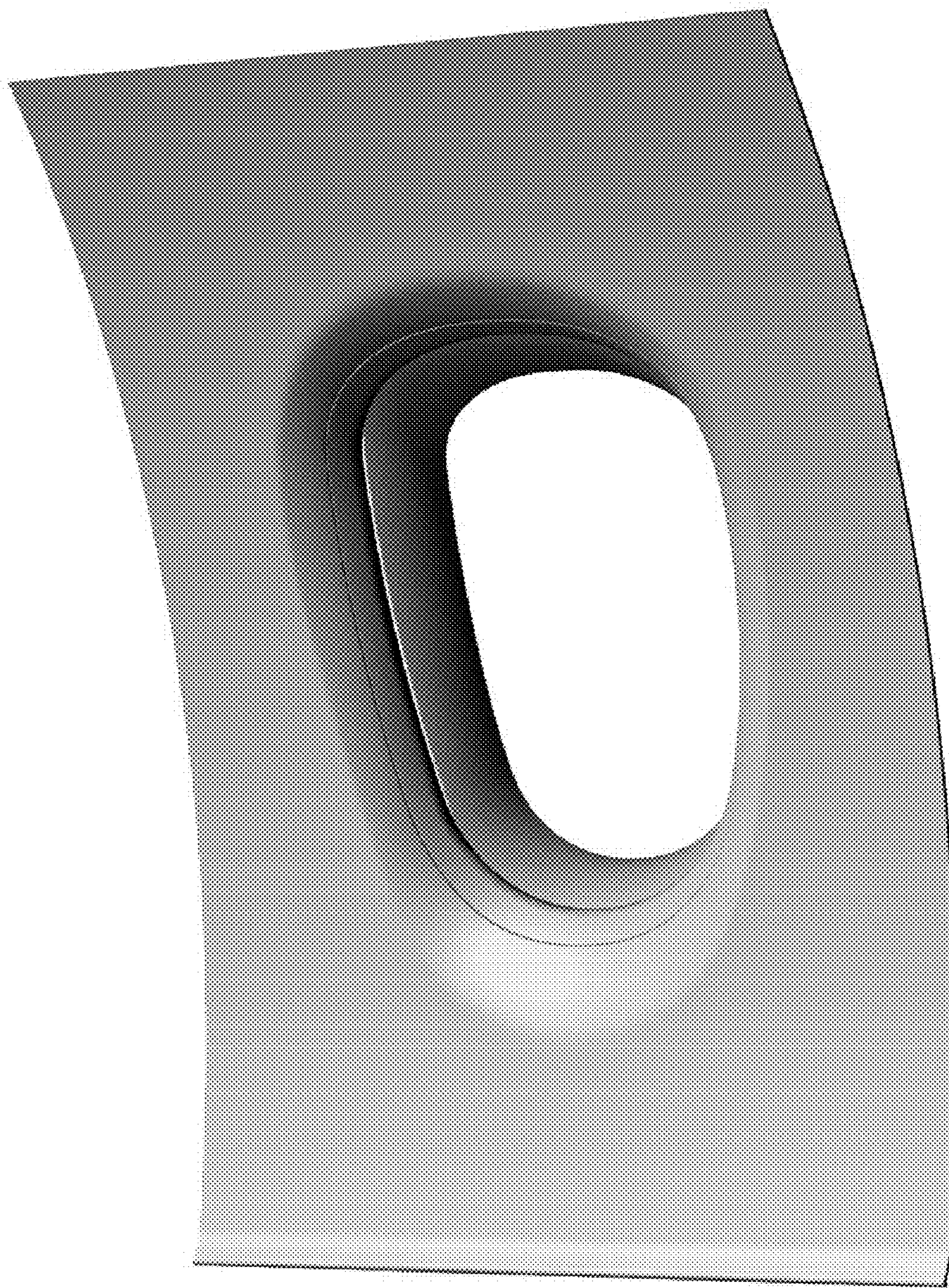


FIG. 7