



US00D608266S

(12) **United States Design Patent**
Price

(10) **Patent No.:** **US D608,266 S**

(45) **Date of Patent:** **** Jan. 19, 2010**

(54) **SIDE DISCHARGE MUFFLER**

2005/0109025 A1* 5/2005 Kenyon et al. 60/324
2005/0257845 A1* 11/2005 Burrows et al. 138/38

(75) Inventor: **Kenneth E. Price**, Yorba Linda, CA
(US)

* cited by examiner

(73) Assignee: **Samson Motorcycle Products, Inc.**,
Brea, CA (US)

Primary Examiner—T. Chase Nelson
Assistant Examiner—Michael A Pratt
(74) *Attorney, Agent, or Firm*—Peter L. Costas

(**) Term: **14 Years**

(57) **CLAIM**

(21) Appl. No.: **29/309,820**

The ornamental design for a side discharge muffler, as shown and described.

(22) Filed: **Oct. 21, 2008**

(51) **LOC (9) Cl.** **12-16**

(52) **U.S. Cl.** **D12/194**

(58) **Field of Classification Search** D12/194;
D15/5; 293/113; 29/890.08; 180/89.2, 296,
180/309; 181/247–249, 264, 282, 239–241,
181/227, 228; 138/44, 37–39, 103, 109;
60/303, 313, 323

See application file for complete search history.

DESCRIPTION

FIG. 1 is a perspective view of a side discharge muffler showing my new design and with a mounting bracket shown in phantom line;

FIG. 2 is a top view thereof;

FIG. 3 is a right side view thereof;

FIG. 4 is a bottom view thereof;

FIG. 5 is a left side view thereof;

FIG. 6 is a back view thereof; and,

FIG. 7 is a front view thereof.

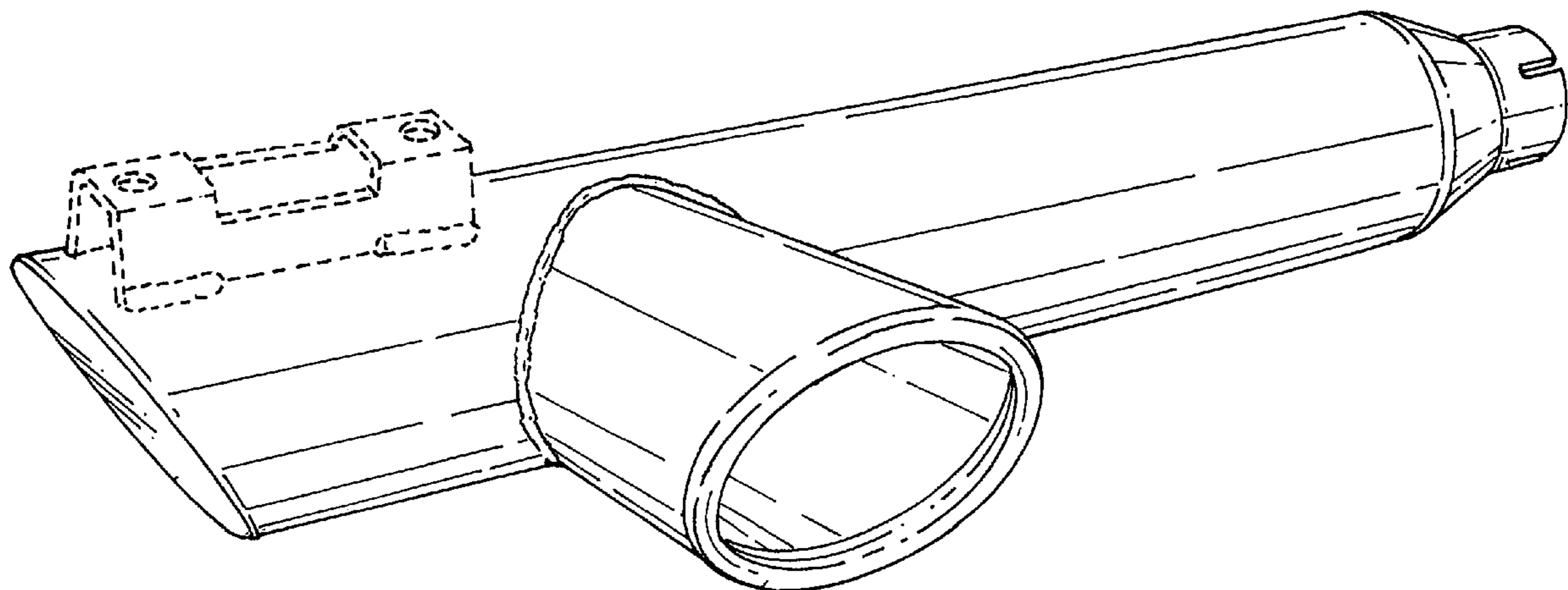
The broken line showing in FIGS. 1 through 3 and 5 through 7 is included for the purpose of illustrating environment and forms no part of the claimed design.

(56) **References Cited**

U.S. PATENT DOCUMENTS

1,375,621 A * 4/1921 Wright, Jr. 181/236
3,894,302 A * 7/1975 Lasater 4/696
D289,766 S * 5/1987 Evans D15/5
6,637,537 B2 * 10/2003 Porter et al. 180/309
7,174,919 B2 * 2/2007 Kenyon et al. 138/37
2003/0192339 A1 * 10/2003 Macbain 62/498

1 Claim, 4 Drawing Sheets



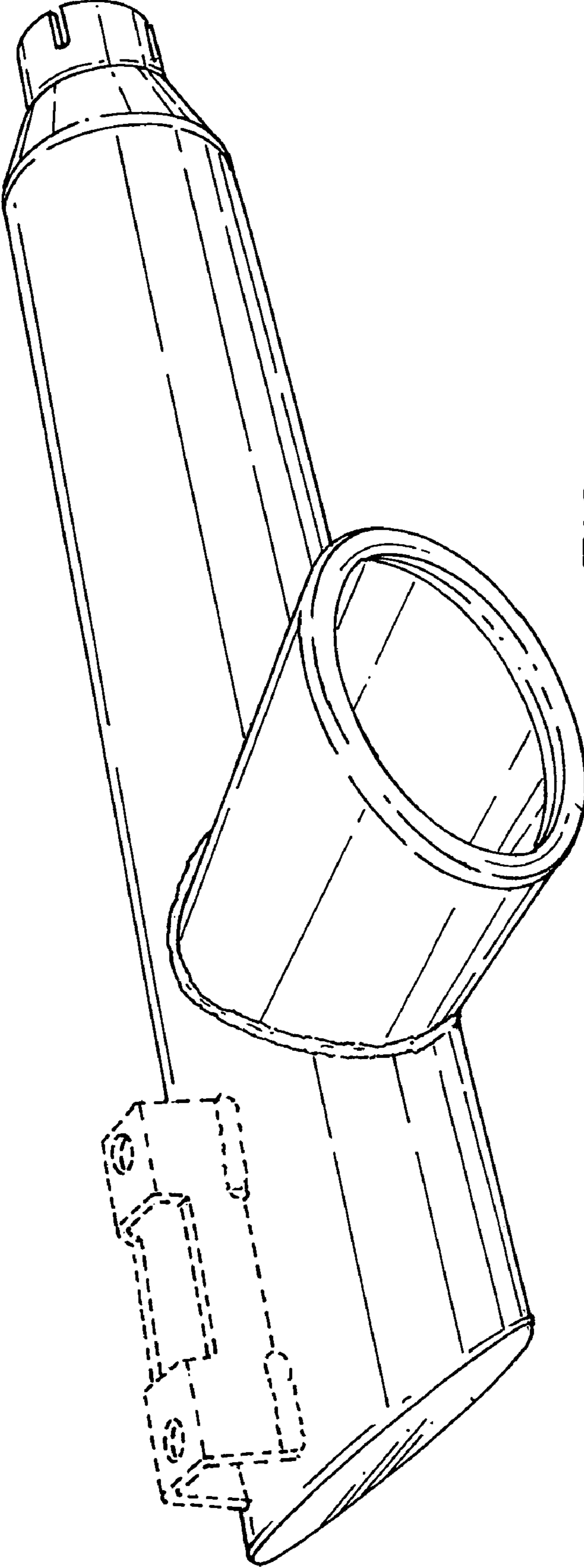


FIG. 1

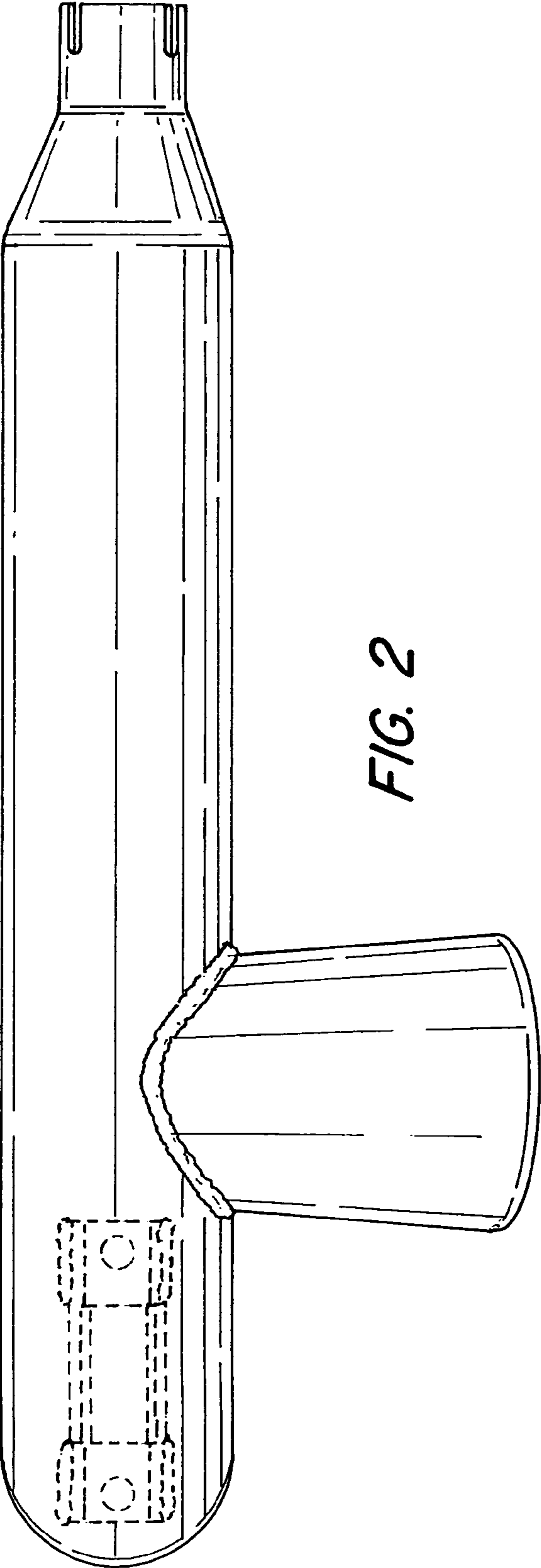
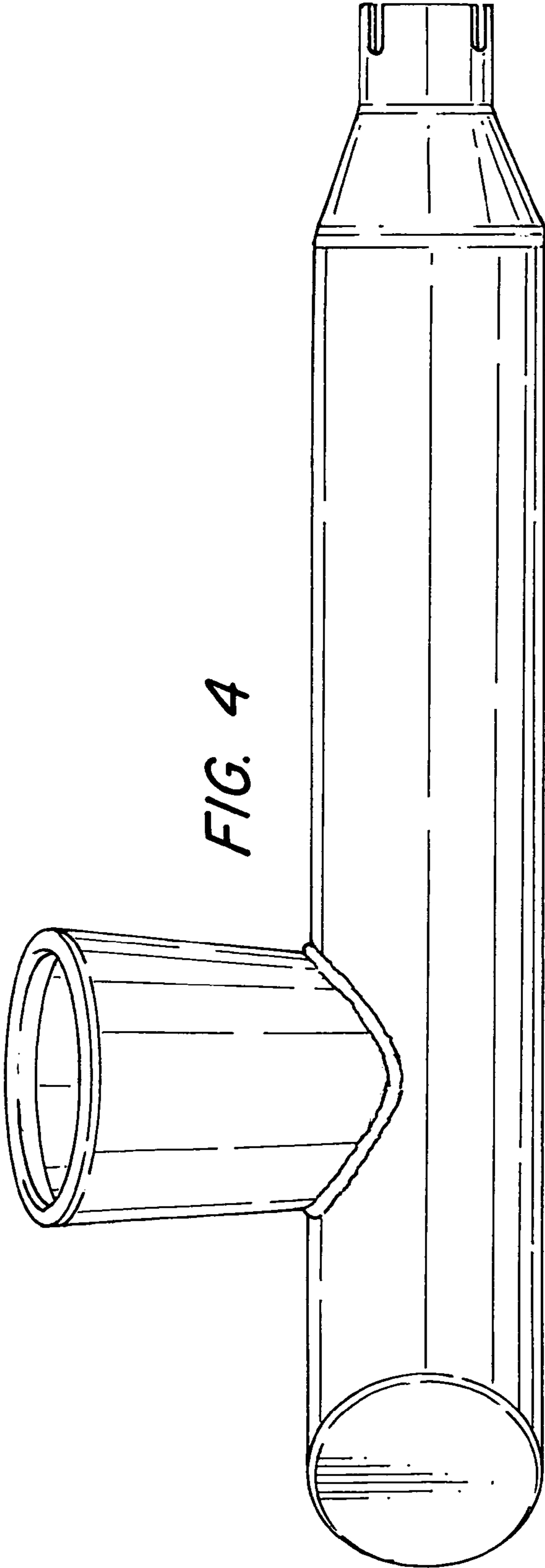


FIG. 2



FIG. 3



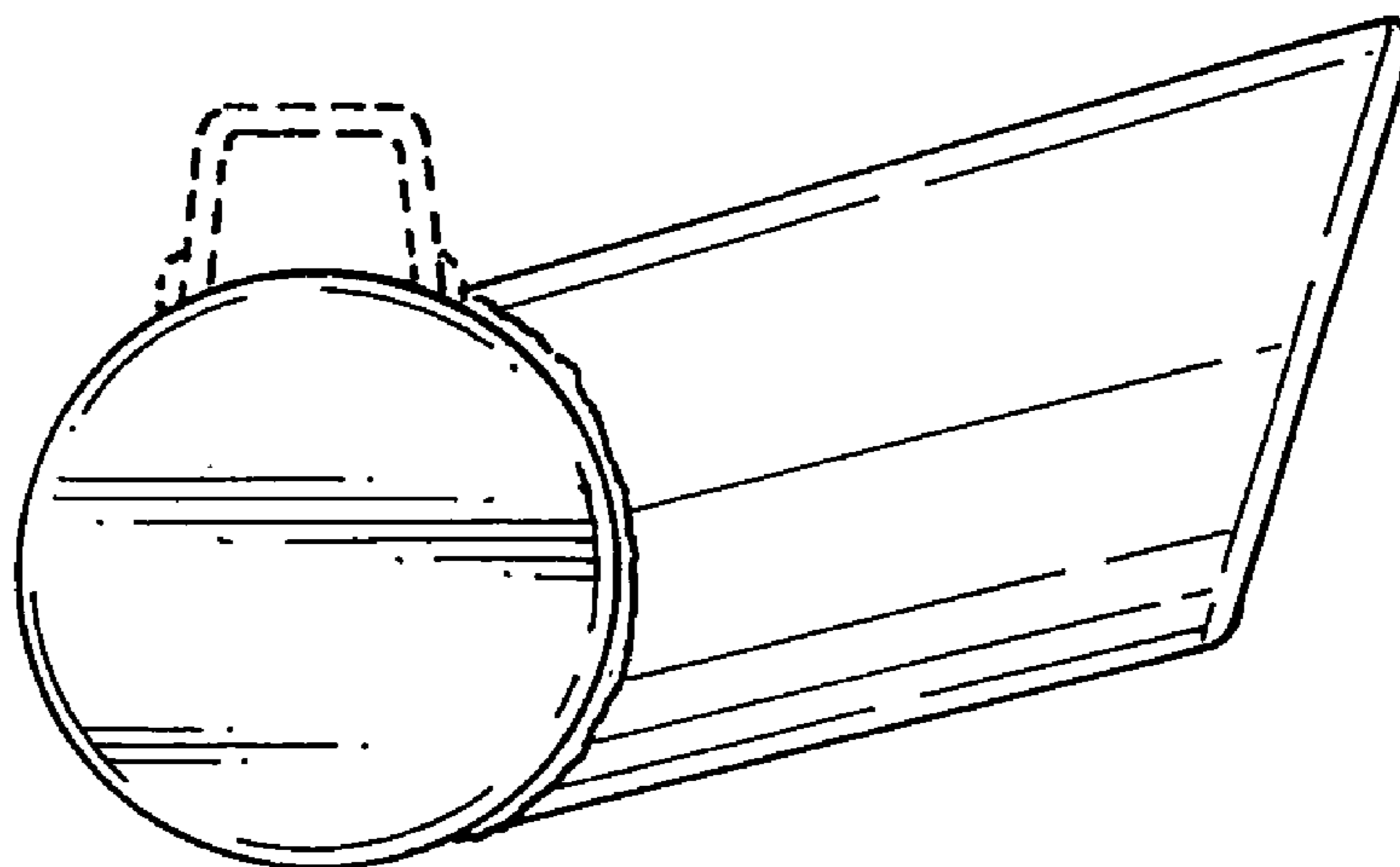


FIG. 6

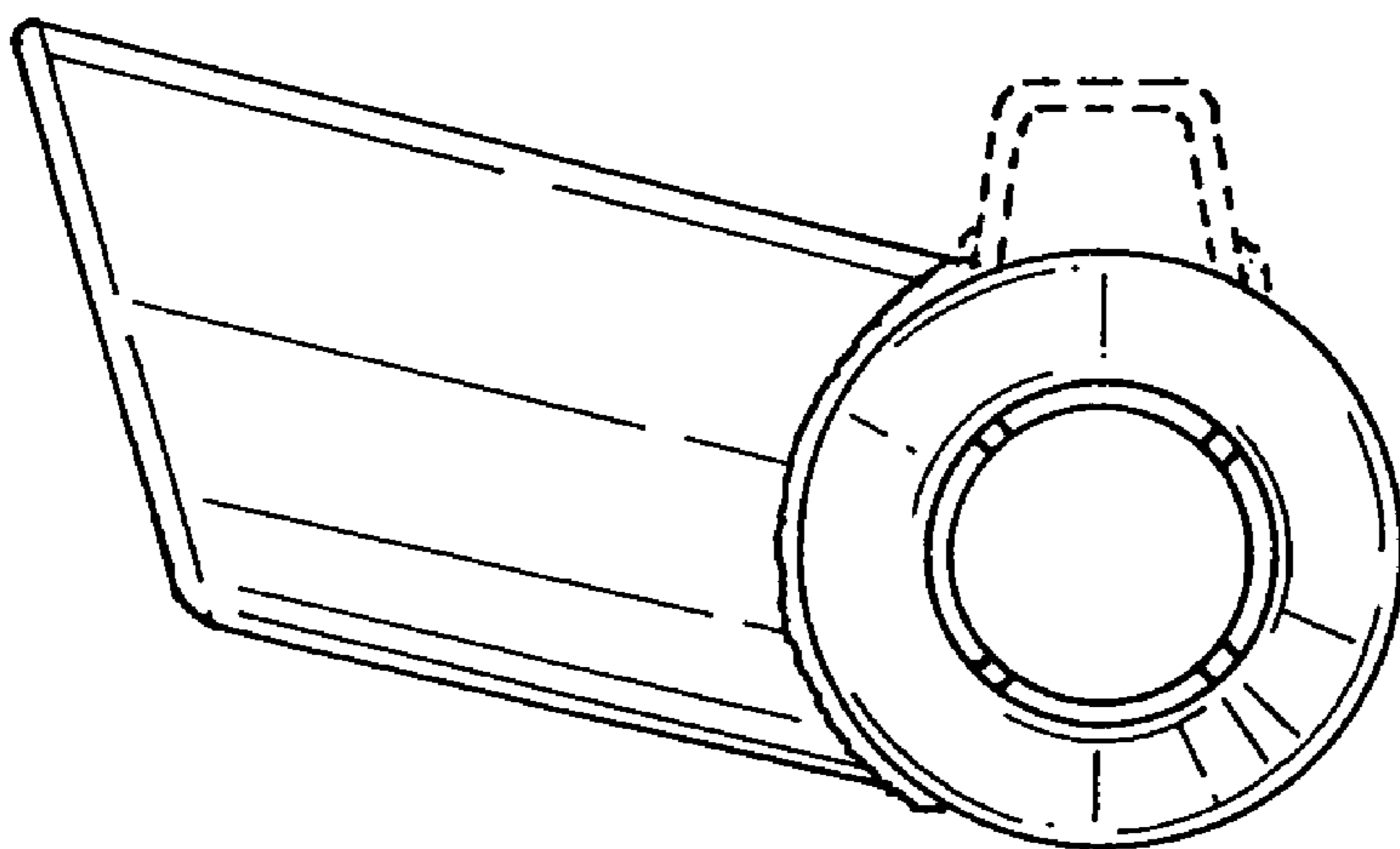


FIG. 7