



US00D608265S

(12) **United States Design Patent**  
**Collins et al.**

(10) **Patent No.:** **US D608,265 S**  
(45) **Date of Patent:** **\*\* Jan. 19, 2010**

(54) **INSTRUMENT PANEL OF A TRUCK VEHICLE**

(75) Inventors: **Marcey K. Collins**, Fort Wayne, IN (US); **Jaimi Smith**, Lake Orion, MI (US); **Robert Scott Tirey**, Fort Wayne, IN (US); **Bruce Youngs**, Novi, MI (US); **Joseph E. Otto**, Fort Wayne, IN (US); **Andrew Krum**, Fort Wayne, IN (US); **Kwan Lee**, Overland Park, KS (US); **Uday Srinivas**, Bopodi (IN)

(73) Assignee: **Mahindra Navistar Automotives Limited** (IN)

(\*\*) Term: **14 Years**

(21) Appl. No.: **29/341,325**

(22) Filed: **Aug. 4, 2009**

(51) **LOC (9) Cl.** ..... **12-16**

(52) **U.S. Cl.** ..... **D12/192**

(58) **Field of Classification Search** ..... D12/192, D12/415; 180/190; 280/750-752; 296/190.01-190.09, 296/70; D15/17, 28; D10/46, 98, 102-103  
See application file for complete search history.

(56) **References Cited**

**U.S. PATENT DOCUMENTS**

- D339,786 S \* 9/1993 Allendorph et al. .... D12/192
- D397,977 S \* 9/1998 Hellhake et al. .... D12/192
- D413,095 S \* 8/1999 Abalos et al. .... D12/192
- D449,263 S \* 10/2001 Yamazaki et al. .... D12/192

- D493,756 S \* 8/2004 Yamamoto et al. .... D12/192
- D499,998 S \* 12/2004 Tanaka et al. .... D12/192
- D514,995 S \* 2/2006 Acton et al. .... D12/192
- D515,487 S \* 2/2006 Tanaka et al. .... D12/192
- D534,468 S \* 1/2007 Colburn et al. .... D12/192
- D538,721 S \* 3/2007 Woodard et al. .... D12/192
- D551,144 S \* 9/2007 Shinoda ..... D12/192
- D558,656 S \* 1/2008 Tanaka et al. .... D12/192
- D560,150 S \* 1/2008 Honma et al. .... D12/192
- D567,162 S \* 4/2008 Motozaki et al. .... D12/192
- D567,727 S \* 4/2008 Kawaguchi et al. .... D12/192
- D571,272 S \* 6/2008 Esaki et al. .... D12/192
- D577,640 S \* 9/2008 Wyszogrod et al. .... D12/192
- D586,714 S \* 2/2009 Woodard et al. .... D12/192
- D593,470 S \* 6/2009 Duan et al. .... D12/192

\* cited by examiner

*Primary Examiner*—Stacia Cadmus

(74) *Attorney, Agent, or Firm*—Jeffrey P. Calfa; Mark C. Bach; Gerald W. Askew

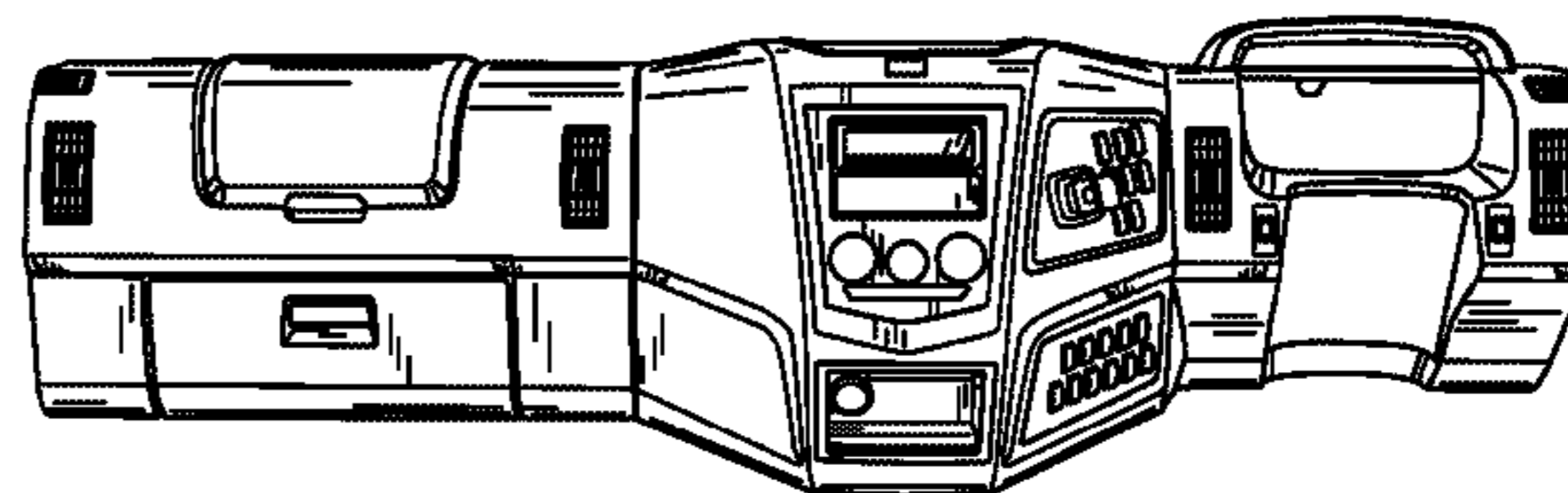
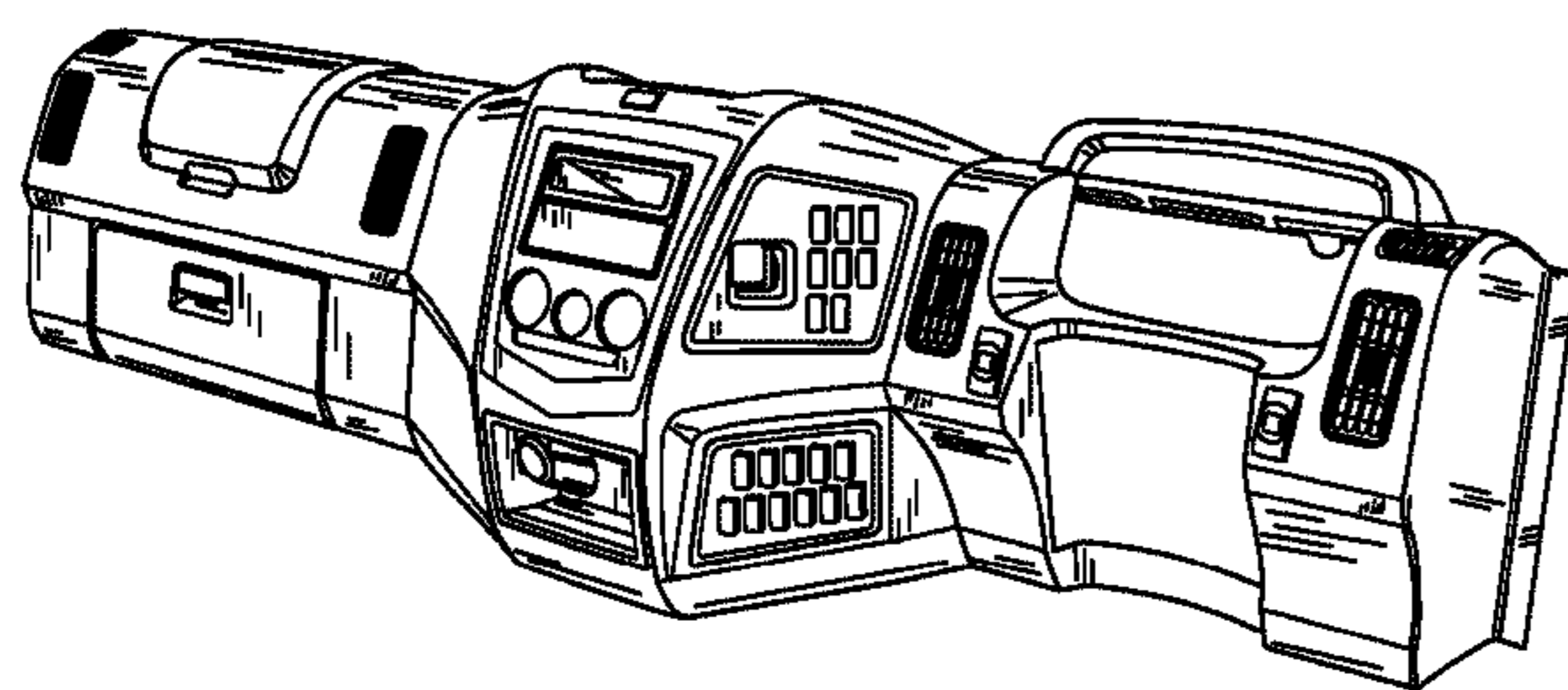
(57) **CLAIM**

The ornamental design for an instrument panel of a truck vehicle, as shown and described.

**DESCRIPTION**

FIG. 1 is a left, front perspective view of an instrument panel of a truck vehicle showing our new design;  
FIG. 2 is a right, front perspective view thereof;  
FIG. 3 is a top view thereof; and,  
FIG. 4 is a front view thereof.

**1 Claim, 2 Drawing Sheets**



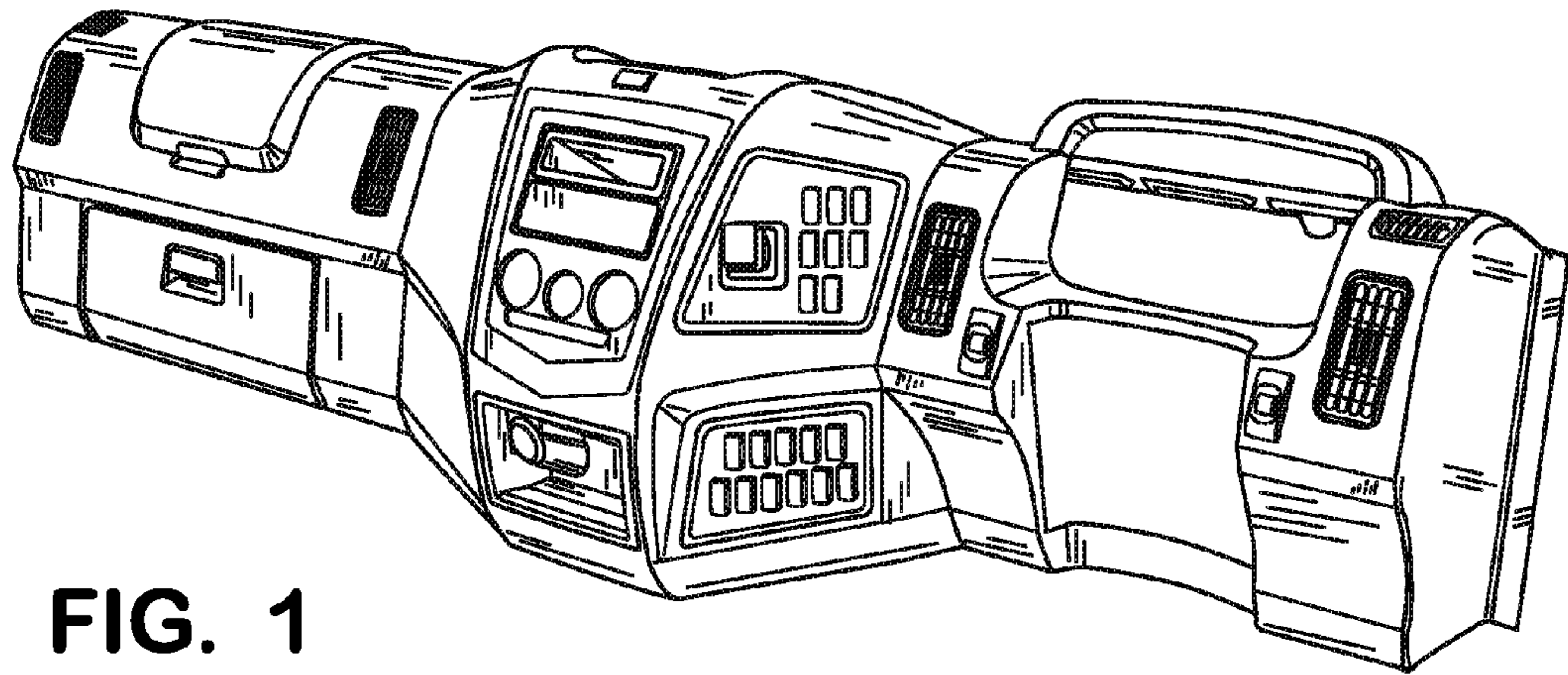


FIG. 1

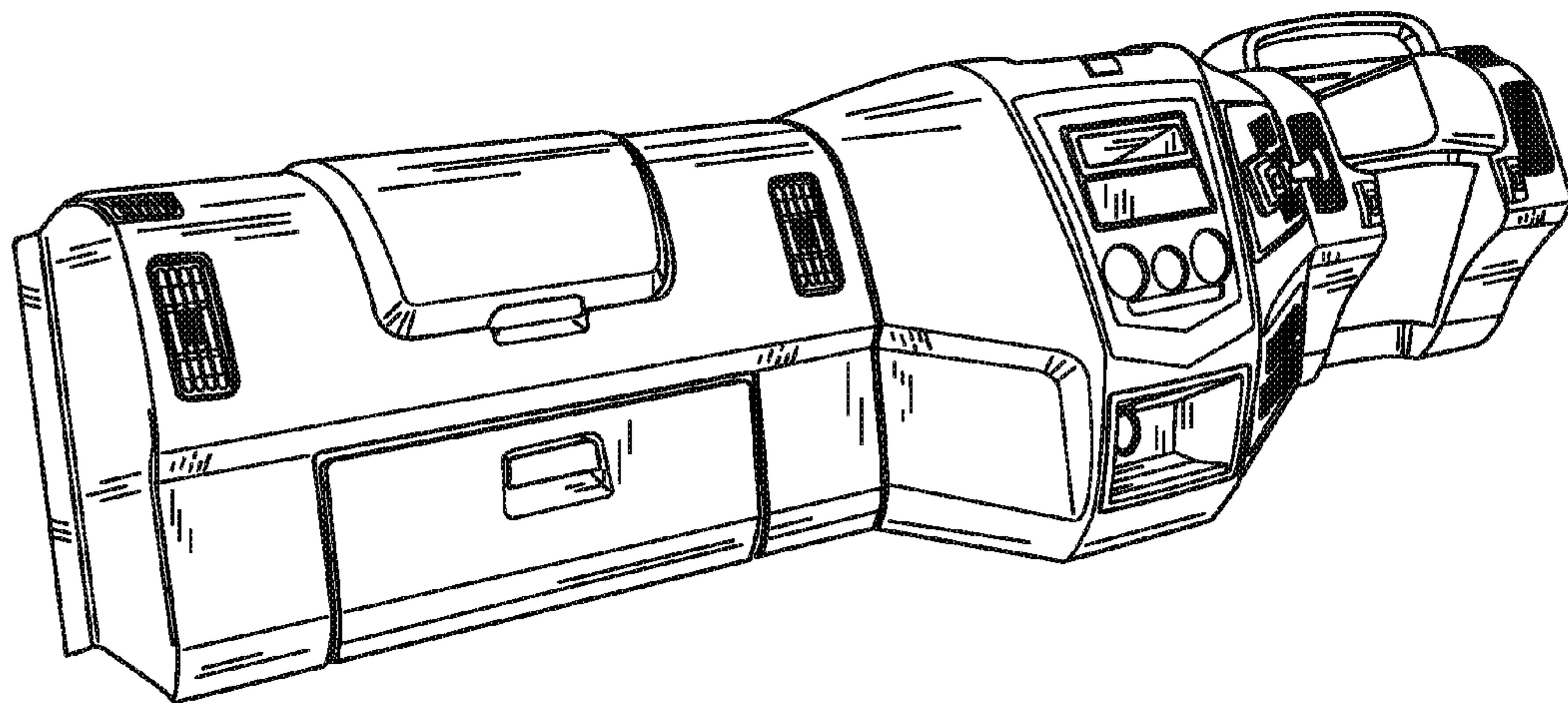


FIG. 2

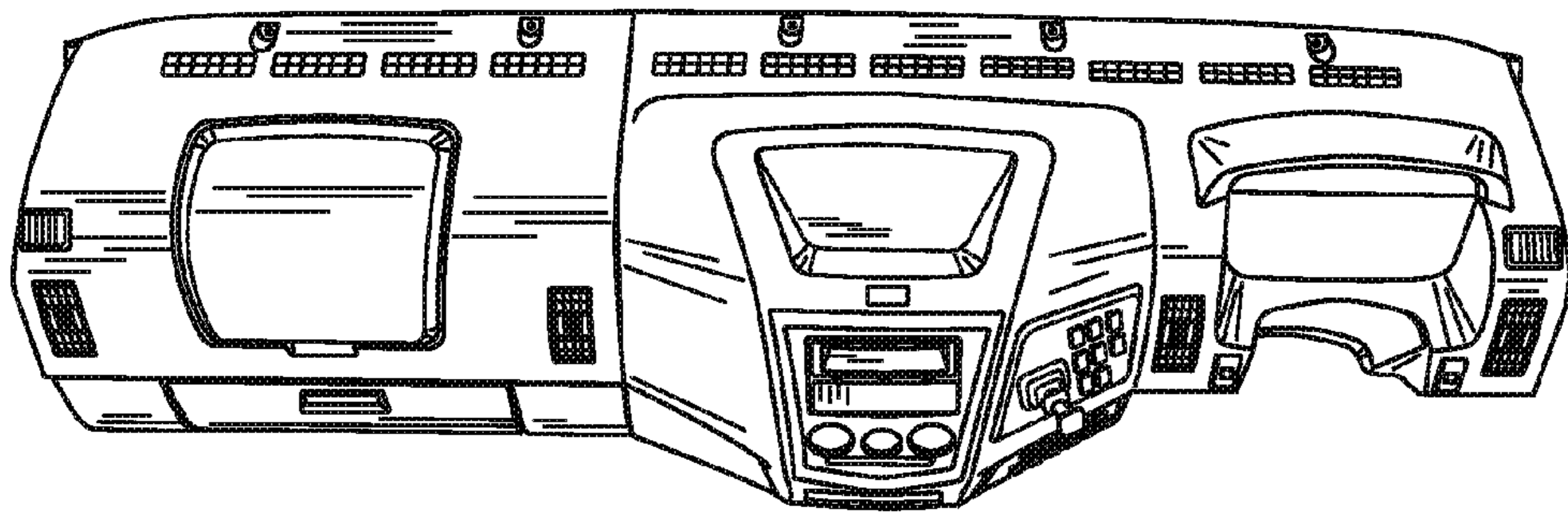


FIG. 3

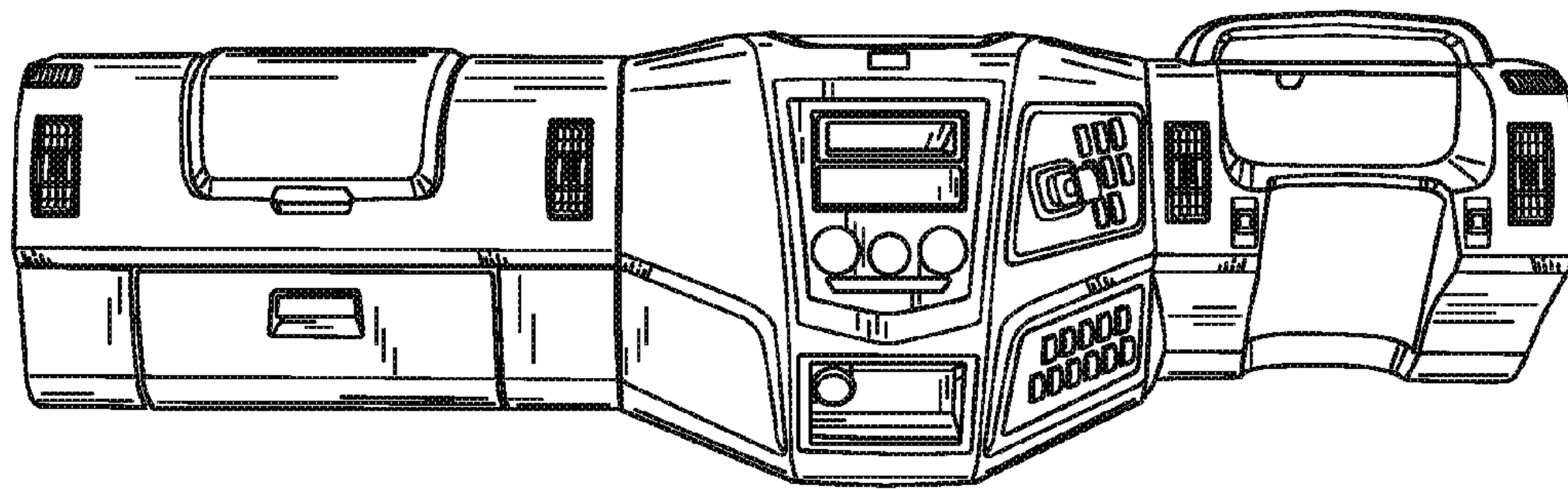


FIG. 4